

Aspherical Glass Lenses

Type: **EYLG**□□□□□□□□



These products are aspherical glass lenses by using a press molding, and key devices of optical electronics not only provide compact and light weight but also high-performance by utilizing characteristics of aspherical design.

Features

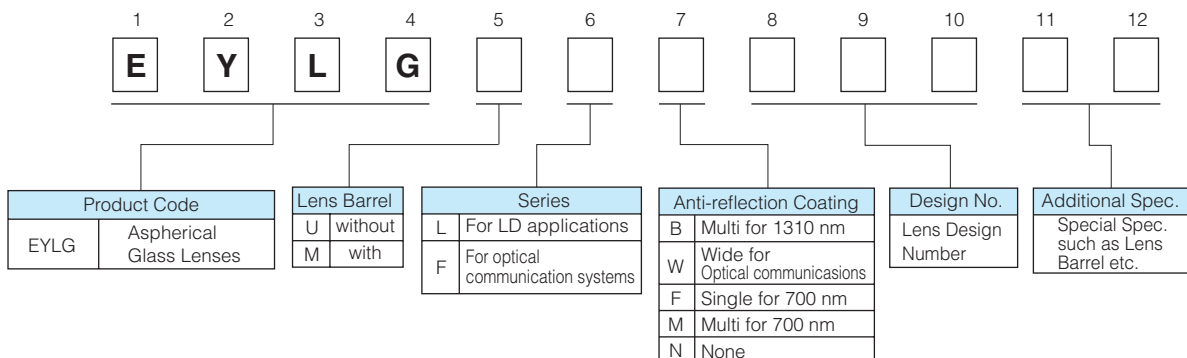
- High numerical aperture achieved via aspherical design
- Short focal length for compact size
- Appropriate lenses and lens material available for many different applications
- Wide temperature and humidity range for increased reliability and stability
- High-quality processing, measurement techniques and precision manufacturing process give less variation in optical properties
- RoHS compliant

* We can offer custom design, sampling and mass production as requested

Recommended Applications

- Coupling lens for optical communication systems
- Collimator lens for optical communication systems
- Lens for LD applications

Explanation of Part Numbers



Ratings

| Item | Ratings |
|-----------------------------|----------------|
| Operating Temperature Range | -30 to +85 °C |
| Storage Temperature Range | -40 to +100 °C |

■ Please contact the factory for packaging methods.

Specifications

● Lenses for Optical Communications

| Part No. | Design Wavelength (nm) | Suitable Wavelength (T>97 %) (nm) | Designed with CG | Focal Length (mm) | Working Distance (* L1) (mm) | Conjugate Distance (* L2) (mm) | Magnification |
|-------------|------------------------|-----------------------------------|------------------------------|-------------------|------------------------------|--------------------------------|---------------|
| | | | CG material / Thickness (mm) | | | | |
| EYLGFW135DR | 1550 | 1260 to 1625 | – | 2.51 | 1.68 | – | – |
| EYLGFW192KR | 1550 | 1260 to 1625 | – | 1.81 | 1.03 | – | – |
| EYLGFW192WR | 1550 | 1260 to 1625 | – | 1.81 | 0.81 | – | – |
| EYLGMA265AR | 1550 | 1260 to 1625 | – | 3.02 | 2.26 | – | – |
| EYLGFW479A | 1550 | 1260 to 1625 | – | 1.59 | 0.93 | – | – |
| EYLGFB240BR | 1310 | 1260 to 1625 | – | 1.40 | 1.13 | 10.69 | 5.0 |
| EYLGFB456R | 1310 | 1260 to 1625 | – | 0.54 | 0.25 | 3.85 | 4.5 |
| EYLGFB508A | 1310 | 1260 to 1625 | – | 0.55 | 0.25 | 3.98 | 5.3 |
| EYLGFB506A | 1310 | 1260 to 1625 | – | 0.63 | 0.52 | 4.00 | 4.0 |
| EYLGFB245R | 1310 | 1260 to 1625 | BK7 t0.25 | 1.13 | 1.27* | 7.50* | 2.5 |
| EYLGFB295R | 1310 | 1260 to 1625 | – | 1.35 | 1.27* | 10.18* | 4.0 |
| EYLGFB415R | 1310 | 1260 to 1625 | – | 0.94 | 1.27* | 7.56* | 4.0 |
| EYLGFB480A | 1310 | 1260 to 1625 | – | 0.93 | 1.20* | 5.73* | 2.0 |
| EYLGFB305R | 1310 | 1260 to 1625 | – | 0.46 | 1.40* | 3.90* | 3.1 |
| EYLGFB502B | 1310 | 1260 to 1625 | – | 0.46 | 1.00* | 3.50* | 3.1 |
| EYLGFB488A | 1577 | 1260 to 1625 | – | 1.44 | 2.62* | 12.02* | 3.8 |
| EYLGFB463R | 1570 | 1260 to 1625 | – | 1.48 | 2.15* | 12.10* | 4.2 |
| EYLGFB485A | 1577 | 1260 to 1625 | – | 0.95 | 2.8* | 8.20* | 3.1 |

| Part No. | N.A | | Effective Diameter (mm) | | Beam Diameter (mm) | Dimensions (mm) | | | Glass Material | Lens Shape type |
|-------------|------|------|-------------------------|------|--------------------|-----------------|------------|---------------|----------------|-----------------|
| | S1 | S2 | S1 | S2 | | Diameter (D) | Height (H) | Thickness (T) | | |
| EYLGFW135DR | – | 0.20 | 1.04 | 0.80 | 0.50 | 2.5 | 1.4 | – | K-PBK40 | A-1 |
| EYLGFW192KR | – | 0.30 | 1.08 | 0.82 | 0.34 | 2.5 | 1.4 | – | K-PBK40 | A-1 |
| EYLGFW192WR | – | 0.30 | 1.08 | 0.73 | 0.36 | 3.0 | 1.6 | – | K-PBK40 | A-1 |
| EYLGMA265AR | – | 0.22 | 1.33 | 1.14 | 0.60 | 3.0 | 1.6 | – | K-PBK40 | A-1 |
| EYLGFW479A | – | 0.26 | 0.82 | 0.70 | 0.26 | 1.8 | 1.4 | – | K-PBK40 | A-1 |
| EYLGFB240BR | 0.50 | 0.10 | 1.31 | 1.70 | – | 3.0 | 1.5 | – | K-VC89 | A-2 |
| EYLGFB456R | 0.50 | 0.11 | 0.34 | 0.64 | – | 1.8 | 1.0 | – | K-VC89 | A-2 |
| EYLGFB508A | 0.58 | 0.11 | 0.40 | 0.70 | – | 1.0 | – | 0.81 | K-VC79 | D |
| EYLGFB506A | 0.48 | 0.12 | 0.59 | 0.76 | – | 1.0 | – | 0.63 | K-VC89 | D |
| EYLGFB245R | 0.40 | 0.16 | 0.90 | 1.20 | – | 3.75 | 3.97 | – | K-VC89 | B |
| EYLGFB295R | 0.40 | 0.10 | 1.02 | 1.33 | – | 3.75 | 3.90 | – | K-VC89 | B |
| EYLGFB415R | 0.50 | 0.13 | 0.76 | 1.14 | – | 3.75 | 3.50 | – | K-VC89 | B |
| EYLGFB480A | 0.40 | 0.20 | 0.91 | 1.10 | – | 4.70 | 3.23 | – | K-VC89 | B |
| EYLGFB305R | 0.50 | 0.16 | 0.34 | 0.52 | – | 3.20 | 2.45 | – | K-VC89 | B |
| EYLGFB502B | 0.50 | 0.16 | 0.34 | 0.52 | – | 3.23 | 2.10 | – | K-VC89 | B |
| EYLGFB488A | 0.60 | 0.16 | 1.40 | 2.20 | – | 5.00 | 5.90 | – | K-VC89 | B |
| EYLGFB463R | 0.59 | 0.14 | 1.60 | 2.12 | – | 5.00 | 4.93 | – | K-VC89 | B |
| EYLGFB485A | 0.53 | 0.17 | 1.00 | 1.30 | – | 4.90 | 5.00 | – | K-VC89 | B |

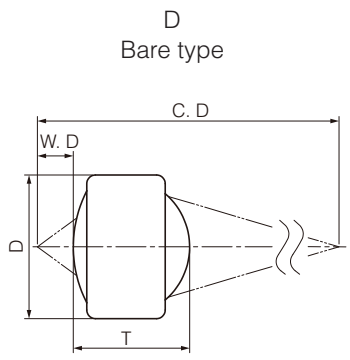
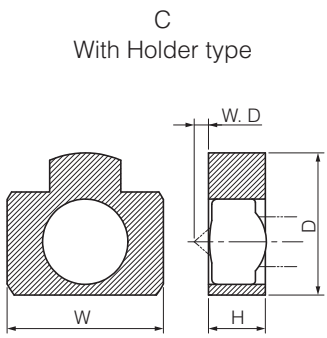
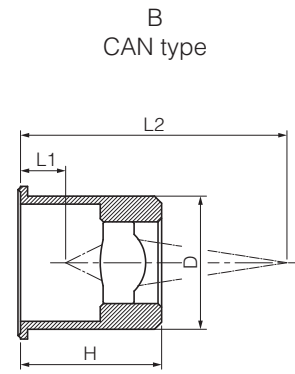
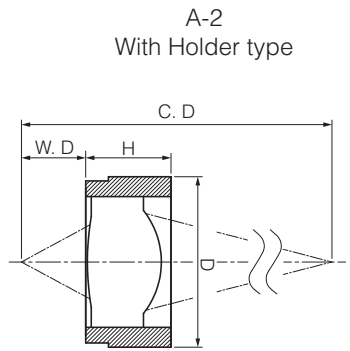
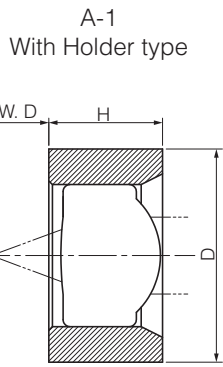
Specifications

- Lenses for LD applications

| Part No. | Design Wavelength (nm) | Suitable Wavelength (T>97 %) (nm) | Designed with CG | Focal Length (mm) | Working Distance (mm) | Magnification |
|------------|------------------------|-----------------------------------|------------------------------|-------------------|-----------------------|---------------|
| | | | CG material / Thickness (mm) | | | |
| EYLGULM216 | 780 | 600 to 800 | BK7 t0.25 | 10.00 | 8.85 | ∞ |
| EYLGULF273 | 780 | 660 to 700 | BK7 t0.30 | 12.50 | 10.93 | ∞ |
| EYLGULF274 | 780 | 660 to 700 | BK7 t0.25 | 6.25 | 4.84 | ∞ |
| EYLGULF276 | 780 | 660 to 700 | BK7 t0.25 | 8.00 | 6.60 | ∞ |
| EYLGULF277 | 780 | 660 to 700 | BK7 t0.30 | 8.98 | 7.72 | ∞ |
| EYLGULF279 | 780 | 660 to 700 | BK7 t0.30 | 4.00 | 2.66 | ∞ |
| EYLGULF292 | 780 | 660 to 700 (T > 95 %) | BK7 t0.27 | 6.00 | 3.82 | ∞ |
| EYLGULF319 | 780 | 660 to 700 (T > 95 %) | BK7 t0.25 | 12.50 | 11.12 | ∞ |
| EYLGULM330 | 780 | 630 to 800 | BK7 t0.25 | 3.59 | 2.55 | ∞ |

| Part No. | N.A | Effective Diameter (mm) | | Dimensions (mm) | | Glass Material | Lens Shape type |
|------------|------|-------------------------|------|-----------------|---------------|----------------|-----------------|
| | S1 | S1 | S2 | Diameter (D) | Thickness (T) | | |
| EYLGULM216 | 0.33 | 6.06 | 6.60 | 8.00 | 2.15 | K-VC81 | D |
| EYLGULF273 | 0.23 | 5.07 | 5.70 | 6.40 | 2.80 | K-VC80 | D |
| EYLGULF274 | 0.40 | 4.15 | 5.00 | 6.40 | 2.50 | K-VC80 | D |
| EYLGULF276 | 0.25 | 3.36 | 4.00 | 6.40 | 2.50 | K-VC80 | D |
| EYLGULF277 | 0.29 | 4.79 | 5.40 | 6.40 | 2.30 | K-VC80 | D |
| EYLGULF279 | 0.50 | 2.96 | 4.00 | 6.40 | 2.50 | K-VC80 | D |
| EYLGULF292 | 0.35 | 2.85 | 4.20 | 6.00 | 4.20 | K-PBK40 | D |
| EYLGULF319 | 0.23 | 5.20 | 5.70 | 8.00 | 2.50 | K-PBK40 | D |
| EYLGULM330 | 0.29 | 1.58 | 2.16 | 4.00 | 2.00 | K-PBK40 | D |

Dimensions in mm (not to scale)



W.D : Working Distance
C.D : Coujugate Distance

Компания «Life Electronics» занимается поставками электронных компонентов импортного и отечественного производства от производителей и со складов крупных дистрибьюторов Европы, Америки и Азии.

С конца 2013 года компания активно расширяет линейку поставок компонентов по направлению коаксиальный кабель, кварцевые генераторы и конденсаторы (керамические, пленочные, электролитические), за счёт заключения дистрибьюторских договоров

Мы предлагаем:

- Конкурентоспособные цены и скидки постоянным клиентам.
- Специальные условия для постоянных клиентов.
- Подбор аналогов.
- Поставку компонентов в любых объемах, удовлетворяющих вашим потребностям.
- Приемлемые сроки поставки, возможна ускоренная поставка.
- Доставку товара в любую точку России и стран СНГ.
- Комплексную поставку.
- Работу по проектам и поставку образцов.
- Формирование склада под заказчика.
- Сертификаты соответствия на поставляемую продукцию (по желанию клиента).
- Тестирование поставляемой продукции.
- Поставку компонентов, требующих военную и космическую приемку.
- Входной контроль качества.
- Наличие сертификата ISO.

В составе нашей компании организован Конструкторский отдел, призванный помогать разработчикам, и инженерам.

Конструкторский отдел помогает осуществить:

- Регистрацию проекта у производителя компонентов.
- Техническую поддержку проекта.
- Защиту от снятия компонента с производства.
- Оценку стоимости проекта по компонентам.
- Изготовление тестовой платы монтаж и пусконаладочные работы.



Тел: +7 (812) 336 43 04 (многоканальный)

Email: org@lifeelectronics.ru