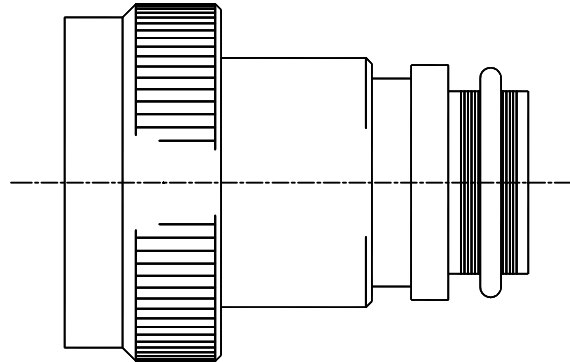


THIS DRAWING AND THE INFORMATION SET FORTH HEREON ARE THE PROPERTY OF TYCO ELECTRONICS AND ARE TO BE HELD IN TRUST AND CONFIDENCE. PUBLICATION, DUPLICATION, DISCLOSURE, OR USE FOR ANY PURPOSE NOT EXPRESSLY AUTHORIZED IN WRITING BY TYCO ELECTRONICS IS PROHIBITED.

REVISIONS			
LTR	DESCRIPTION	DATE	APPROVED
B	INITIAL RELEASE PER ECO-13-002859	02/18/13	IMYONG



CODE 66 TINEL-LOCK ADAPTER

NOTES:


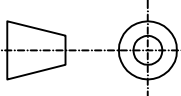
1. THIS PRODUCT IS DESIGNED TO TERMINATE A BRAIDED CABLE SHIELD AND A HEAT SHRINKABLE LIPPED BOOT TO A CONNECTOR.
2. SEE CH00-0250-008 FOR ORDERING INFORMATION, MODIFICATIONS AND ADDITIONAL DIMENSIONS.
- ③ SEE DRAWING TR FOR DETAIL ON TINEL-LOCK RING. RINGS ARE DESIGNED TO BE HEATED ELECTRICALLY. ALL RINGS ARE MARKED WITH THERMOCHROMIC PAINT WHICH CHANGES COLOR WHEN INSTALLATION TEMPERATURE IS REACHED.
4. ADAPTER TO BE PERMANENTLY MARKED WITH CODE IDENTIFICATION NUMBER AND PART NUMBER, LESS RING DESIGNATOR. (e.g. 06090 TXR66AB00-2012). RING SHALL BEAR NO MARKING.
- ⑤ FOR LARGER ENTRY SIZES, A 2 PIECE ADAPTER (TYPE II) IS SUPPLIED.
- ⑥ ADAPTER MATES TO: LITTON-VEAM VG95234 CONNECTORS, CIR SERIES, 06\*, 07\* AND 08\*, LESS ALL BACKSHELLS.

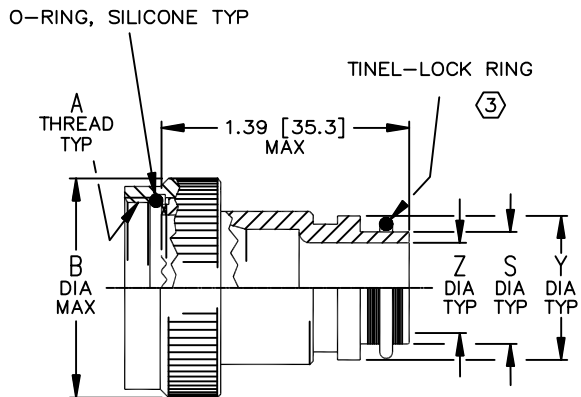
If this document is printed it becomes uncontrolled. Check for the latest revision

Raychem Adapters

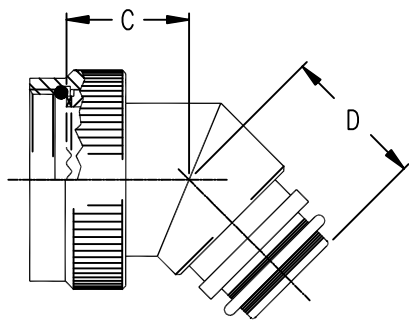
© 2012-2013 Tyco electronics corporation. All rights reserved

CUSTOMER DRAWING

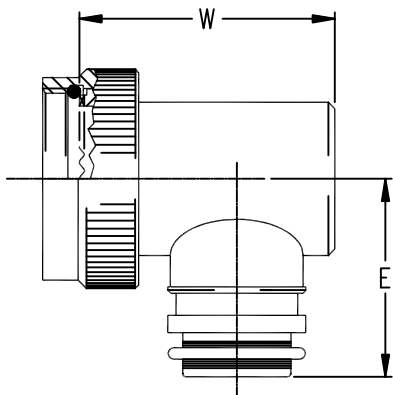
UNLESS OTHERWISE SPECIFIED DIMENSIONS ARE IN INCHES AND TOLERANCES ARE:  .XXX ± - .XX ± - .X ± - ANGLES .X ± -	DRAWN G.WELLS	DATE FEB2013			TE Connectivity	
	CHECKED -	DATE -				
	APPROVED -	DATE -				
MATERIAL -	THIRD ANGLE PROJECTION 		TITLE  TINEL-LOCK™ ADAPTER			
FINISH -	CAD NAME TXR66_CD-1.dwg	SIZE A	CAGE CODE: 06090	DWG. NO. TXR66	REV B	
	RPN: -	SCALE: NONE			SHEET 1 OF 3	



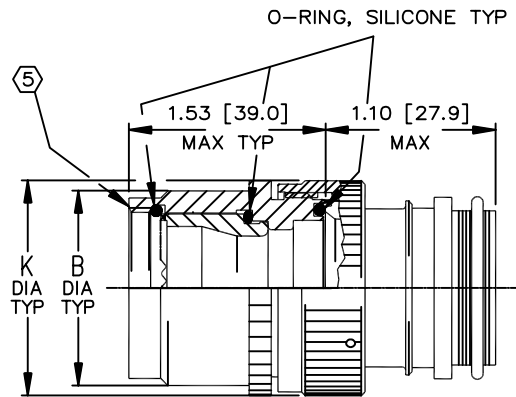
STRAIGHT ADAPTER - TYPE I



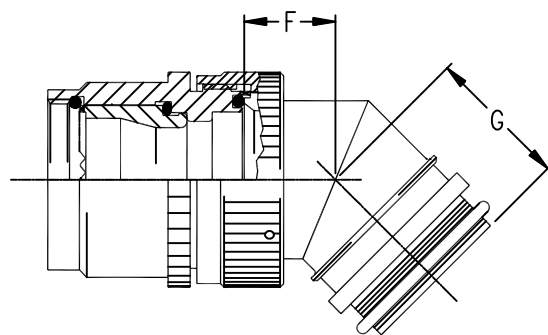
45° ADAPTER - TYPE I



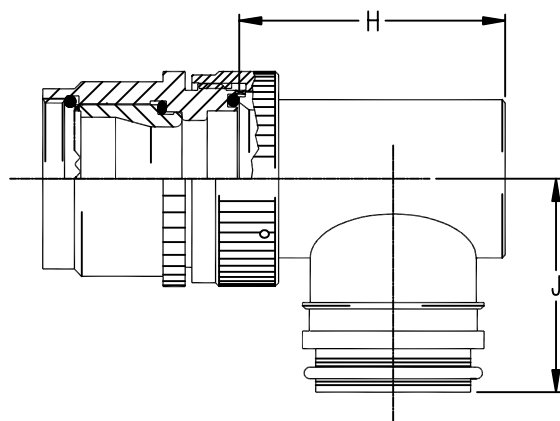
90° ADAPTER - TYPE I



STRAIGHT ADAPTER - TYPE II



45° ADAPTER - TYPE II



90° ADAPTER - TYPE II

Raychem Adapters  
CUSTOMER DRAWING

SIZE A	CAGE CODE: 06090	DWG. NO. TXR66	REV B
SCALE: NONE		SHEET 2 OF 3	

TABLE I								
ORDER NUMBER	SHELL SIZE ⑤ ⑥	MAX ENTRY SIZE ⑤ ⑥ TYPE I	A UNIFIED THREAD CLASS 2B	B DIA MAX	C MAX	D MAX	E MAX	W MAX
11	10SL	05	0.625-24 UNEF	.91 [23.1]	.82 [20.8]	1.16 [29.5]	1.20 [30.5]	1.21 [30.7]
14	14S	07	0.750-20 UNEF	1.04 [26.4]	.86 [21.8]	1.18 [30.0]	1.27 [32.3]	1.27 [32.3]
16	16/16S	08	0.875-20 UNEF	1.22 [31.0]	.93 [23.6]	1.20 [30.5]	1.33 [33.8]	1.33 [33.8]
18	18	10	1.000-20 UNEF	1.35 [34.3]	.99 [25.1]	1.22 [31.0]	1.39 [35.3]	1.58 [40.1]
20	20	12	1.125-18 UNEF	1.47 [37.4]	1.04 [26.4]	1.25 [31.8]	1.45 [36.8]	1.58 [40.1]
22	22	14	1.250-18 UNEF	1.60 [40.6]	1.06 [26.9]	1.27 [32.3]	1.52 [38.6]	1.65 [41.9]
24	24	16	1.375-18 UNEF	1.72 [43.7]	1.09 [27.7]	1.29 [32.8]	1.58 [40.1]	1.89 [48.0]
28	28	18	1.625-18 UNEF	1.97 [50.0]	1.11 [28.2]	1.32 [33.5]	1.70 [43.2]	2.02 [51.3]
32	32	22	1.875-16 UN	2.22 [56.4]	1.17 [29.7]	1.37 [34.8]	1.83 [46.5]	2.27 [57.7]
36	36	24	2.062-16 UN	2.47 [62.7]	1.22 [31.0]	1.42 [36.1]	1.92 [48.8]	2.58 [65.5]
40	40	28	2.312-16 UN	2.72 [69.1]	1.28 [32.5]	1.48 [37.6]	2.05 [52.1]	2.83 [71.9]

TABLE II									
ENTRY SIZE	Z DIA +0.010 -0.020 [+0.25] [-0.50]	S DIAMETER		Y DIA ±0.015 [±0.38]	F MAX	G MAX	H MAX	J MAX	K MAX
04	.250 [6.35]	.376 .370	[9.56] [9.39]	.550 [13.97]	N/A	N/A	N/A	N/A	N/A
05	.312 [7.92]	.438 .432	[11.13] [10.97]	.612 [15.54]	N/A	N/A	N/A	N/A	N/A
06	.375 [9.52]	.501 .495	[12.73] [12.57]	.675 [17.14]	.77 [19.6]	.93 [23.6]	1.19 [30.2]	1.16 [29.5]	.80 [20.3]
07	.437 [11.09]	.563 .556	[14.31] [14.12]	.737 [18.71]	.80 [20.3]	.95 [24.1]	1.38 [35.1]	1.22 [31.0]	.92 [23.4]
08	.500 [12.70]	.626 .619	[15.91] [15.72]	.800 [20.32]	.80 [20.3]	.95 [24.1]	1.38 [35.1]	1.22 [31.0]	.92 [23.4]
10	.625 [15.87]	.752 .742	[19.11] [18.84]	.925 [23.49]	.84 [21.3]	1.00 [25.4]	1.51 [38.4]	1.35 [34.3]	1.18 [30.0]
12	.750 [19.05]	.877 .867	[22.28] [22.02]	1.050 [26.67]	.86 [21.8]	1.01 [25.7]	1.63 [41.4]	1.40 [35.6]	1.35 [34.3]
14	.875 [22.23]	1.002 .991	[25.46] [25.17]	1.175 [29.84]	.88 [22.4]	1.04 [26.4]	1.78 [45.2]	1.46 [37.1]	1.41 [35.8]
16	1.000 [25.40]	1.127 1.116	[28.63] [28.34]	1.300 [33.02]	.91 [23.1]	1.06 [26.9]	1.88 [47.8]	1.53 [38.9]	1.60 [40.6]
18	1.125 [28.57]	1.252 1.241	[31.81] [31.52]	1.425 [36.19]	.93 [23.6]	1.09 [27.7]	2.01 [51.1]	1.59 [40.4]	1.66 [42.2]
20	1.250 [31.75]	1.377 1.366	[34.98] [34.69]	1.550 [39.37]	.98 [24.9]	1.13 [28.7]	2.13 [54.1]	1.78 [45.2]	2.04 [51.8]
22	1.375 [34.93]	1.502 1.488	[38.15] [37.79]	1.675 [42.55]	1.03 [26.2]	1.38 [35.1]	2.29 [58.2]	1.85 [47.0]	2.23 [56.6]
24	1.500 [38.10]	1.627 1.613	[41.33] [40.97]	1.800 [45.72]	1.08 [27.4]	1.44 [36.6]	2.42 [61.5]	1.92 [48.8]	2.23 [56.6]
28	1.820 [46.22]	1.877 1.863	[47.67] [47.32]	2.048 [52.0]	1.08 [27.4]	1.44 [36.6]	2.58 [65.5]	2.03 [51.6]	2.48 [63.0]

Raychem Adapters

# CUSTOMER DRAWING

SIZE A	CAGE CODE: 06090	DWG. NO. TXR66	REV B
SCALE: NONE		SHEET 3 OF 3	

Компания «Life Electronics» занимается поставками электронных компонентов импортного и отечественного производства от производителей и со складов крупных дистрибьюторов Европы, Америки и Азии.

С конца 2013 года компания активно расширяет линейку поставок компонентов по направлению коаксиальный кабель, кварцевые генераторы и конденсаторы (керамические, пленочные, электролитические), за счёт заключения дистрибьюторских договоров

Мы предлагаем:

- Конкурентоспособные цены и скидки постоянным клиентам.
- Специальные условия для постоянных клиентов.
- Подбор аналогов.
- Поставку компонентов в любых объемах, удовлетворяющих вашим потребностям.
- Приемлемые сроки поставки, возможна ускоренная поставка.
- Доставку товара в любую точку России и стран СНГ.
- Комплексную поставку.
- Работу по проектам и поставку образцов.
- Формирование склада под заказчика.
- Сертификаты соответствия на поставляемую продукцию (по желанию клиента).
- Тестирование поставляемой продукции.
- Поставку компонентов, требующих военную и космическую приемку.
- Входной контроль качества.
- Наличие сертификата ISO.

В составе нашей компании организован Конструкторский отдел, призванный помогать разработчикам, и инженерам.

Конструкторский отдел помогает осуществить:

- Регистрацию проекта у производителя компонентов.
- Техническую поддержку проекта.
- Защиту от снятия компонента с производства.
- Оценку стоимости проекта по компонентам.
- Изготовление тестовой платы монтаж и пусконаладочные работы.



Тел: +7 (812) 336 43 04 (многоканальный)

Email: [org@lifeelectronics.ru](mailto:org@lifeelectronics.ru)