

## MCF51JM128



## MCF51JM128 ColdFire Microcontroller

The MCF51JM128 is a member of the ColdFire family of 32-bit reduced instruction set computing (RISC) microprocessors. This document provides an overview of the MCF51JM128 series, focusing on its highly integrated and diverse feature set.

The MCF51JM128 series is based on the V1 ColdFire core and operates at processor core speeds up to 50.33 MHz. As part of Freescale's Controller Continuum<sup>®</sup>, it is an ideal upgrade for designs based on the MC9S08JM60 series of 8-bit microcontrollers.

The MCF51JM128 features the following functional units:

- V1 ColdFire core with background debug module
- Up to 128 KB of flash memory
- Up to 16 KB of static RAM (SRAM)
- Multipurpose clock generator (MCG)
- Dual-role Universal Serial Bus On-The-Go device (USBOTG)
- Controller-area network (MSCAN)
- Cryptographic acceleration unit (CAU)
- Random number generator accelerator (RNGA)
- Analog comparators (ACMP)
- Analog-to-digital converter (ADC) with up to 12 channels
- Two Inter-integrated circuit (IIC) modules
- Two serial peripheral interfaces (SPI)
- Two serial communications interfaces (SCI)
- Carrier modulation timer (CMT)
- Eight-channel timer/pulse-width modulators (TPM)
- Real-time counter (RTC)
- 66 general-purpose input/output (GPIO) modules plus Interrupt request input
- Eight keyboard interrupts (KBI)
- 16-bit Rapid GPIO

This document contains information on a product under development. Freescale reserves the right to change or discontinue this product without notice.

© Freescale Semiconductor, Inc., 2008-2012. All rights reserved.

# Table of Contents

|      |  |    |
|------|--|----|
| 1    | MCF51JM128 Family Configurations                         | 3  |
| 1.1  | Device Comparison  | 3  |
| 1.2  | Block Diagram  | 4  |
| 1.3  | Features   | 5  |
| 1.4  | Part Numbers   | 8  |
| 1.5  | Pinouts and Packaging                                    | 10 |
| 2    | Preliminary Electrical Characteristics                   | 15 |
| 2.1  | Parameter Classification                                 | 15 |
| 2.2  | Absolute Maximum Ratings                                 | 15 |
| 2.3  | Thermal Characteristics                                  | 16 |
| 2.4  | Electrostatic Discharge (ESD) Protection Characteristics | 17 |
| 2.5  | DC Characteristics                                       | 18 |
| 2.6  | Supply Current Characteristics                           | 21 |
| 2.7  | Analog Comparator (ACMP) Electricals                     | 23 |
| 2.8  | ADC Characteristics                                      | 23 |
| 2.9  | External Oscillator (XOSC) Characteristics               | 26 |
| 2.10 | MCG Specifications                                       | 27 |
| 2.11 | AC Characteristics                                       | 28 |
| 2.12 | SPI Characteristics                                      | 31 |
| 2.13 | Flash Specifications                                     | 34 |
| 2.14 | USB Electricals  | 34 |
| 2.15 | EMC Performance  | 35 |
| 3    | Mechanical Outline Drawings                              | 36 |
| 3.1  | 80-pin LQFP  | 36 |
| 3.2  | 64-pin LQFP  | 39 |
| 3.3  | 64-pin QFP   | 42 |
| 3.4  | 44-pin LQFP  | 45 |
| 4    | Revision History   | 48 |

## List of Figures

|            |  |    |
|------------|--|----|
| Figure 1.  | MCF51JM128 Block Diagram   | 4  |
| Figure 2.  | 80-pin LQFP  | 10 |
| Figure 3.  | 64-pin QFP and LQFP  | 11 |
| Figure 4.  | 44-pin LQFP  | 12 |
| Figure 5.  | Typical Low-side Drive (sink) characteristics – High Drive (PTxDSn = 1)    | 20 |
| Figure 6.  | Typical Low-side Drive (sink) characteristics – Low Drive (PTxDSn = 0)     | 20 |
| Figure 7.  | Typical High-side Drive (source) characteristics – High Drive (PTxDSn = 1) | 21 |
| Figure 8.  | Typical High-side Drive (source) characteristics – Low Drive (PTxDSn = 0)  | 21 |
| Figure 9.  | ADC Input Impedance Equivalency Diagram                                    | 24 |
| Figure 10. | Reset Timing   | 29 |
| Figure 11. | IRQ/KBIPx Timing   | 29 |
| Figure 12. | Timer External Clock   | 29 |

|            |                              |    |
|------------|------------------------------|----|
| Figure 13. | Timer Input Capture Pulse    | 30 |
| Figure 14. | SPI Master Timing (CPHA = 0) | 32 |
| Figure 15. | SPI Master Timing (CPHA = 1) | 32 |
| Figure 16. | SPI Slave Timing (CPHA = 0)  | 33 |
| Figure 17. | SPI Slave Timing (CPHA = 1)  | 33 |
| Figure 18. | 80-pin LQFP Diagram - I      | 36 |
| Figure 19. | 80-pin LQFP Diagram - II     | 37 |
| Figure 20. | 80-pin LQFP Diagram - III    | 38 |
| Figure 21. | 64-pin LQFP Diagram - I      | 39 |
| Figure 22. | 64-pin LQFP Diagram - II     | 40 |
| Figure 23. | 64-pin LQFP Diagram - III    | 41 |
| Figure 24. | 64-pin QFP Diagram - I       | 42 |
| Figure 25. | 64-pin QFP Diagram - II      | 43 |
| Figure 26. | 64-pin QFP Diagram - III     | 44 |
| Figure 27. | 44-pin LQFP Diagram - I      | 45 |
| Figure 28. | 44-pin LQFP Diagram - II     | 46 |
| Figure 29. | 44-pin LQFP Diagram - III    | 47 |

## List of Tables

|           |   |    |
|-----------|---|----|
| Table 1.  | MCF51JM128 Series Device Comparison   | 3  |
| Table 2.  | MCF51JM128 Series Functional Units  | 5  |
| Table 3.  | Orderable Part Number Summary   | 8  |
| Table 4.  | Pin Assignments by Package and Pin Sharing Priority                             | 12 |
| Table 5.  | Parameter Classifications   | 15 |
| Table 6.  | Absolute Maximum Ratings  | 16 |
| Table 7.  | Thermal Characteristics   | 16 |
| Table 8.  | ESD and Latch-up Test Conditions  | 17 |
| Table 9.  | ESD and Latch-Up Protection Characteristics                                     | 18 |
| Table 10. | DC Characteristics  | 18 |
| Table 11. | Supply Current Characteristics  | 21 |
| Table 12. | Analog Comparator Electrical Specifications                                     | 23 |
| Table 13. | 5 Volt 12-bit ADC Operating Conditions  | 23 |
| Table 14. | 5 Volt 12-bit ADC Characteristics (VREFH = VDDA, VREFL = VSSA)                  | 24 |
| Table 15. | Oscillator Electrical Specifications (Temperature Range = -40 to 105°C Ambient) | 26 |
| Table 16. | MCG Frequency Specifications (Temperature Range = -40 to 125°C Ambient)         | 27 |
| Table 17. | Control Timing  | 28 |
| Table 18. | TPM Input Timing  | 29 |
| Table 19. | MSCAN Wake-up Pulse Characteristics   | 30 |
| Table 20. | SPI Timing  | 31 |
| Table 21. | Flash Characteristics   | 34 |
| Table 22. | Internal USB 3.3V Voltage Regulator Characteristics                             | 35 |
| Table 23. | Internal Revision History   | 50 |
| Table 24. | Changes Between Revisions   | 51 |

# 1 MCF51JM128 Family Configurations

## 1.1 Device Comparison

The MCF51JM128 series consists of the devices compared in [Table 1](#).

**Table 1. MCF51JM128 Series Device Comparison**

| Feature   | MCF51JM128       |        |        | MCF51JM64 |        |        | MCF51JM32 |        |        |
|---|------------------|--------|--------|-----------|--------|--------|-----------|--------|--------|
|   | 80-pin           | 64-pin | 44-pin | 80-pin    | 64-pin | 44-pin | 80-pin    | 64-pin | 44-pin |
| Flash memory size (KB)                              | 128              |        |        | 64        |        |        | 32        |        |        |
| RAM size (KB)                                       | 16               |        |        | 16        |        |        | 16        |        |        |
| V1 ColdFire core with BDM (background debug module) | Yes              |        |        |           |        |        |           |        |        |
| ACMP (analog comparator)                            | Yes              |        |        |           |        |        |           |        |        |
| ADC channels (12-bit)                               | 12               |        | 8      | 12        |        | 8      | 12        |        | 8      |
| CAN (controller area network)                       | Yes              | Yes    | No     | Yes       | Yes    | No     | Yes       | Yes    | No     |
| RNGA + CAU  | Yes <sup>1</sup> |        |        |           |        |        |           |        |        |
| CMT (carrier modulator timer)                       | Yes              |        |        |           |        |        |           |        |        |
| COP (computer operating properly)                   | Yes              |        |        |           |        |        |           |        |        |
| IIC1 (inter-integrated circuit)                     | Yes              |        |        |           |        |        |           |        |        |
| IIC2  | Yes              | No     |        | Yes       | No     |        | Yes       | No     |        |
| IRQ (interrupt request input)                       | Yes              |        |        |           |        |        |           |        |        |
| KBI (keyboard interrupts)                           | 8                | 8      | 6      | 8         | 8      | 6      | 8         | 8      | 6      |
| LVD (low-voltage detector)                          | Yes              |        |        |           |        |        |           |        |        |
| MCG (multipurpose clock generator)                  | Yes              |        |        |           |        |        |           |        |        |
| Port I/O <sup>2</sup>                               | 66               | 51     | 33     | 66        | 51     | 33     | 66        | 51     | 33     |
| RGPIO (rapid general-purpose I/O)                   | 16               | 6      | 0      | 16        | 6      | 0      | 16        | 6      | 0      |
| RTC (real-time counter)                             | Yes              |        |        |           |        |        |           |        |        |
| SCI1 (serial communications interface)              | Yes              |        |        |           |        |        |           |        |        |
| SCI2  | Yes              |        |        |           |        |        |           |        |        |
| SPI1 (serial peripheral interface)                  | Yes              |        |        |           |        |        |           |        |        |
| SPI2  | Yes              |        |        |           |        |        |           |        |        |
| TPM1 (timer/pulse-width modulator) channels         | 6                | 6      | 4      | 6         | 6      | 4      | 6         | 6      | 4      |
| TPM2 channels                                       | 2                |        |        |           |        |        |           |        |        |
| USBOTG (USB On-The-Go dual-role controller)         | Yes              |        |        |           |        |        |           |        |        |
| XOSC (crystal oscillator)                           | Yes              |        |        |           |        |        |           |        |        |

<sup>1</sup> Only existed on special part number

<sup>2</sup> Up to 16 pins on Ports A, H, and J are shared with the ColdFire Rapid GPIO module.

## 1.2 Block Diagram

Figure 1 shows the connections between the MCF51JM128 series pins and modules.



Figure 1. MCF51JM128 Block Diagram

## 1.3 Features

Table 2 describes the functional units of the MCF51JM128 series.

**Table 2. MCF51JM128 Series Functional Units**

| Unit  | Function   |
|---|--|
| CF1CORE (V1 ColdFire core)                    | Executes programs and interrupt handlers   |
| BDM (background debug module)                 | Provides a single-pin debugging interface (part of the V1 ColdFire core)   |
| DBG (debug)                                   | Provides debugging and emulation capabilities (part of the V1 ColdFire core)   |
| SYSCCTL (system control)                      | Provides LVD, COP, external interrupt request, and so on   |
| FLASH (flash memory)                          | Provides storage for program code and constants  |
| RAM (random-access memory)                    | Provides storage for program code, constants, and variables  |
| RGPIO (rapid general-purpose input/output)    | Allows I/O port access at CPU clock speeds   |
| VREG (voltage regulator)                      | Controls power management throughout the device  |
| USBOTG (USB On-The-Go)                        | Supports the USB On-The-Go dual-role controller  |
| ADC (analog-to-digital converter)             | Measures analog voltages at up to 12 bits of resolution  |
| TPM1, TPM2 (timer/pulse-width modulators)     | Provide a variety of timing-based features   |
| CF1_INTC (interrupt controller)               | Controls and prioritizes all device interrupts   |
| CAU (cryptographic acceleration unit)         | Co-processor support for DES, 3DES, AES, MD5, and SHA-1  |
| RNGA (random number generator accelerator)    | 32-bit random number generator that complies with FIPS-140   |
| RTC (real-time counter)                       | Provides a constant-time base with optional interrupt  |
| ACMP (analog comparator)                      | Compares two analog inputs   |
| CMT (carrier modulator timer)                 | Infrared output used for the Remote Controller   |
| IIC1, IIC2 (inter-integrated circuits)        | Supports the standard IIC communications protocol  |
| KBI (keyboard interrupt)                      | Provides pin interrupt capabilities  |
| MCG (multipurpose clock generator)            | Provides clocking options for the device, including a phase-locked loop (PLL) and frequency-locked loop (FLL) for multiplying slower reference clock sources |
| XOSC (crystal oscillator)                     | Supports low/high range crystals   |
| CAN (controller area network)                 | Supports standard CAN communications protocol  |
| SCI1, SCI2 (serial communications interfaces) | Serial communications UARTs that can support RS-232 and LIN protocols  |
| SPI1, SPI2 (serial peripheral interfaces)     | Provide a 4-pin synchronous serial interface   |

## 1.3.1 Feature List

- 32-bit Version 1 ColdFire Central Processor Unit (CPU)
  - Up to 50.33 MHz at 2.7 V – 5.5 V
  - Performance (Dhrystone 2.1):
    - 0.94 Dhrystone 2.1 MIPS per MHz when running from internal RAM
    - 0.76 Dhrystone 2.1 MIPS per MHz when running from flash
  - Implements Instruction Set Revision C (ISA\_C)
  - Supports up to 30 peripheral interrupt requests and seven software interrupts
- On-chip memory
  - Up to 128 KB Flash memory with read/program/erase over full operating voltage and temperature range
  - Up to 16 KB static random access memory (RAM)
  - Security circuitry to prevent unauthorized access to RAM and flash contents
- Power-saving modes
  - Two low-power stop plus wait modes
  - Peripheral clock enable register can disable clocks to unused modules, thereby reducing currents; this behavior allows clocks to remain enabled to specific peripherals in Stop3 mode
  - Very lower power real-time counter for use in run, wait, and stop modes with internal and external clock sources
- Four Clock Source Options
  - Oscillator (XOSC) — Loop-control Pierce oscillator; crystal or ceramic resonator range of 31.25 kHz to 38.4 kHz or 1 MHz to 16 MHz
  - FLL/PLL controlled by internal or external reference
  - Trimmable internal reference allows 0.2% resolution and 2% deviation
- System protection features
  - Watchdog computer operating properly (COP) reset with option to run from dedicated 1 kHz internal clock source or bus clock
  - Low-voltage detection with reset or interrupt; selectable trip points
  - Illegal opcode and illegal address detection with programmable reset or exception response
  - Flash block protection
- Debug support
  - Single-wire Background debug interface
  - 4 Program Counters plus two address (optional data) breakpoint registers with programmable 1- or 2-level trigger response
  - 64-entry processor status and debug data trace buffer with programmable start/stop conditions
- Universal Serial Bus (USB) On-The-Go dual-role controller
  - Full-speed USB device controller
    - Fully compliant with USB specification 1.1 and 2.0
    - 16 bidirectional endpoints, with double buffering to provide the maximum throughput
    - Supports control, bulk, interrupt, and isochronous endpoints
    - Supports bus-powered capability with low-power consumption
  - Full-speed / low-speed host controller
    - Host mode allows control, bulk, interrupt, and isochronous transfers
  - OTG protocol logic
  - On-chip USB transceiver
  - On-chip 3.3 V USB regulator and pull-up resistors save system cost

- Controller area network (MSCAN)
  - Implementation of the CAN protocol — Version 2.0A/B
  - Five receive buffers with FIFO storage scheme
  - Three transmit buffers with internal prioritization using a “local priority” concept
  - Flexible maskable identifier filter programmable as 2x32-bit, 4x16-bit, or 8x8-bit
  - Programmable wakeup functionality with integrated low-pass filter
  - Programmable loopback mode supports self-test operation
  - Programmable bus-off recovery functionality
  - Internal timer for time-stamping of received and transmitted messages
- Cryptographic acceleration unit (CAU)
  - Co-processor support of DES, 3DES, AES, MD5, and SHA-1
- Random number generator accelerator (RNGA)
  - 32-bit random number generator that complies with FIPS-140
- Analog-to-digital converter (ADC)
  - 12-channel, 12-bit resolution
  - Output formatted in 12-, 10-, or 8-bit right-justified format
  - Single or continuous conversion, and selectable asynchronous hardware conversion trigger
  - Operation in Stop3 mode
  - Automatic compare function
  - Internal temperature sensor
- Analog comparators (ACMP)
  - Selectable interrupt on rising edge, falling edge, or either rising or falling edges of comparator output
  - Option to compare to fixed internal bandgap reference voltage
  - Option to route output to TPM module
  - Operation in Stop3 mode
- Inter-integrated circuit (IIC)
  - Up to 100 kbps with maximum bus loading
  - Multi-master operation
  - Programmable slave address
  - Supports broadcast mode and 10-bit address extension
- Serial communications interfaces (SCI)
  - Two SCIs with full-duplex, non-return-to-zero (NRZ) format
  - LIN master extended break generation
  - LIN slave extended break detection
  - Programmable 8-bit or 9-bit character length
  - Wake up on active edge
- Serial peripheral interfaces (SPI)
  - Two serial peripheral interfaces with full-duplex or single-wire bidirectional
  - Double-buffered transmit and receive
  - Programmable transmit bit rate, phase, polarity, and Slave Select output
  - MSB-first or LSB-first shifting
- Timer/pulse width modulator (TPM)
  - 16-bit free-running or modulo up/down count operation
  - Up to eight channels, where each channel can be an input capture, output compare, or edge-aligned PWM
  - One interrupt per channel plus terminal count interrupt

## MCF51JM128 Family Configurations

- RTC
  - 8-bit modulus counter with binary- or decimal-based prescaler
  - External clock source for precise time base, time-of-day, calendar or task scheduling functions
  - Free running on-chip low power oscillator (1 kHz) for cyclic wake-up without external components
- Carrier modulator timer (CMT)
  - carrier generator, modulator, and transmitter drive the infrared out (IRO) pin
  - operation in independent high/low time control, baseband, FSK, and direct IRO control modes
- Input/Output
  - 66 GPIOs
  - Eight keyboard interrupt pins with selectable polarity
  - Hysteresis and configurable pull-up device on all input pins; configurable slew rate and drive strength on all output pins
  - 16 bits of Rapid GPIO connected to the processor's local 32-bit platform bus with set, clear, and faster toggle functionality

## 1.4 Part Numbers

Table 3. Orderable Part Number Summary

| Freescal Part Number | Description   | Flash / SRAM (KB) | Package | Temperature    |
|----------------------|---|-------------------|---------|----------------|
| MCF51JM128EVLK       | MCF51JM128 ColdFire Microcontroller with CAU and RNGA Enabled | 128 / 16          | 80 LQFP | -40 to +105 °C |
| MCF51JM128VLK        | MCF51JM128 ColdFire Microcontroller                           | 128 / 16          | 80 LQFP | -40 to +105 °C |
| MCF51JM128EVLH       | MCF51JM128 ColdFire Microcontroller with CAU and RNGA Enabled | 128 / 16          | 64 LQFP | -40 to +105 °C |
| MCF51JM128VLH        | MCF51JM128 ColdFire Microcontroller                           | 128 / 16          | 64 LQFP | -40 to +105 °C |
| MCF51JM128EVQH       | MCF51JM128 ColdFire Microcontroller with CAU and RNGA Enabled | 128 / 16          | 64 QFP  | -40 to +105 °C |
| MCF51JM128VQH        | MCF51JM128 ColdFire Microcontroller                           | 128 / 16          | 64 QFP  | -40 to +105 °C |
| MCF51JM128EVL D      | MCF51JM128 ColdFire Microcontroller with CAU and RNGA Enabled | 128 / 16          | 44 LQFP | -40 to +105 °C |
| MCF51JM128VLD        | MCF51JM128 ColdFire Microcontroller                           | 128 / 16          | 44 LQFP | -40 to +105 °C |
| MCF51JM64EVLK        | MCF51JM64 ColdFire Microcontroller with CAU and RNGA Enabled  | 64 / 16           | 80 LQFP | -40 to +105 °C |
| MCF51JM64VLK         | MCF51JM64 ColdFire Microcontroller                            | 64 / 16           | 80 LQFP | -40 to +105 °C |
| MCF51JM64EVLH        | MCF51JM64 ColdFire Microcontroller with CAU and RNGA Enabled  | 64 / 16           | 64 LQFP | -40 to +105 °C |
| MCF51JM64VLH         | MCF51JM64 ColdFire Microcontroller                            | 64 / 16           | 64 LQFP | -40 to +105 °C |
| MCF51JM64EVQH        | MCF51JM64 ColdFire Microcontroller with CAU and RNGA Enabled  | 64 / 16           | 64 QFP  | -40 to +105 °C |
| MCF51JM64VQH         | MCF51JM64 ColdFire Microcontroller                            | 64 / 16           | 64 QFP  | -40 to +105 °C |



**Table 3. Orderable Part Number Summary (continued)**

|               |  |         |         |                |
|---------------|--|---------|---------|----------------|
| MCF51JM64EVLD | MCF51JM64 ColdFire Microcontroller with CAU and RNGA Enabled | 64 / 16 | 44 LQFP | -40 to +105 °C |
| MCF51JM64VLD  | MCF51JM64 ColdFire Microcontroller                           | 64 / 16 | 44 LQFP | -40 to +105 °C |
| MCF51JM32EVLK | MCF51JM32 ColdFire Microcontroller with CAU and RNGA Enabled | 32 / 16 | 80 LQFP | -40 to +105 °C |
| MCF51JM32VLK  | MCF51JM32 ColdFire Microcontroller                           | 32 / 16 | 80 LQFP | -40 to +105 °C |
| MCF51JM32EVLH | MCF51JM32 ColdFire Microcontroller with CAU and RNGA Enabled | 32 / 16 | 64 LQFP | -40 to +105 °C |
| MCF51JM32VLH  | MCF51JM32 ColdFire Microcontroller                           | 32 / 16 | 64 LQFP | -40 to +105 °C |
| MCF51JM32EVQH | MCF51JM32 ColdFire Microcontroller with CAU and RNGA Enabled | 32 / 16 | 64 QFP  | -40 to +105 °C |
| MCF51JM32VQH  | MCF51JM32 ColdFire Microcontroller                           | 32 / 16 | 64 QFP  | -40 to +105 °C |
| MCF51JM32EVLD | MCF51JM32 ColdFire Microcontroller with CAU and RNGA Enabled | 32 / 16 | 44 LQFP | -40 to +105 °C |
| MCF51JM32VLD  | MCF51JM32 ColdFire Microcontroller                           | 32 / 16 | 44 LQFP | -40 to +105 °C |

# 1.5 Pinouts and Packaging

Figure 2 shows the pinout of the 80-pin LQFP.



Figure 2. 80-pin LQFP

Figure 3 shows the pinout of the 64-pin LQFP and QFP.



Figure 3. 64-pin QFP and LQFP

## MCF51JM128 Family Configurations

Figure 4 shows the pinout of the 44-pin LQFP.



Figure 4. 44-pin LQFP

Table 4 shows the package pin assignments.

Table 4. Pin Assignments by Package and Pin Sharing Priority

| Pin Number |    |    | <-- Lowest Priority --> Highest |         |            |
|------------|----|----|---------------------------------|---------|------------|
| 80         | 64 | 44 | Port Pin                        | Alt 1   | Alt 2      |
| 1          | 1  | 1  | PTC4                            |         | —          |
| 2          | 2  | 2  | —                               | IRQ     | TPMCLK     |
| 3          | 3  | 3  | —                               | RESET   | —          |
| 4          | 4  | 4  | PTF0                            | TPM1CH2 | —          |
| 5          | 5  | 5  | PTF1                            | TPM1CH3 | —          |
| 6          | 6  | —  | PTF2                            | TPM1CH4 | —          |
| 7          | 7  | —  | PTF3                            | TPM1CH5 | —          |
| 8          | 8  | 6  | PTF4                            | TPM2CH0 | BUSCLK_OUT |
| 9          | 9  | —  | PTC6                            | RXCAN   | —          |
| 10         | 10 | —  | PTF7                            | TXCAN   | —          |
| 11         | 11 | 7  | PTF5                            | TPM2CH1 | —          |
| 12         | 12 | —  | PTF6                            | —       | —          |
| 13         | 13 | 8  | PTE0                            | TXD1    | —          |
| 14         | 14 | 9  | PTE1                            | RXD1    | —          |
| 15         | 15 | 10 | PTE2                            | TPM1CH0 | —          |

**Table 4. Pin Assignments by Package and Pin Sharing Priority (continued)**

| Pin Number |    |    | <-- Lowest Priority --> Highest |                  |                    |
|------------|----|----|---------------------------------|------------------|--------------------|
| 80         | 64 | 44 | Port Pin                        | Alt 1            | Alt 2              |
| 16         | 16 | 11 | PTE3                            | TPM1CH1          | —                  |
| 17         | —  | —  | PTC7                            | —                | —                  |
| 18         | —  | —  | PTH0                            | SDA2             | —                  |
| 19         | —  | —  | PTH1                            | SCL2             | —                  |
| 20         | —  | —  | PTH2                            | RGPIO8           | —                  |
| 21         | —  | —  | PTH3                            | RGPIO9           | —                  |
| 22         | —  | —  | PTH4                            | RGPIO10          | —                  |
| 23         | 17 | 12 | PTE4                            | MISO1            | —                  |
| 24         | 18 | 13 | PTE5                            | MOSI1            | —                  |
| 25         | 19 | 14 | PTE6                            | SPSCK1           | —                  |
| 26         | 20 | 15 | PTE7                            | $\overline{SS1}$ | —                  |
| 27         | 21 | 16 | —                               | —                | VDD                |
| 28         | 22 | 17 | —                               | —                | VSS                |
| 29         | 23 | 18 | —                               | —                | USB <sub>BDN</sub> |
| 30         | 24 | 19 | —                               | —                | USB <sub>BDP</sub> |
| 31         | 25 | 20 | —                               | —                | VUSB33             |
| 32         | 26 | 21 | PTG0                            | KBIP0            | USB_ALT_CLK        |
| 33         | 27 | 22 | PTG1                            | KBIP1            | —                  |
| 34         | 28 | —  | PTA0                            | RGPIO0           | USB_SESSVLD        |
| 35         | 29 | —  | PTA1                            | RGPIO1           | USB_SESEND         |
| 36         | 30 | —  | PTA2                            | RGPIO2           | USB_VBUSVLD        |
| 37         | 31 | —  | PTA3                            | RGPIO3           | USB_PULLUP(D+)     |
| 38         | 32 | —  | PTA4                            | RGPIO4           | USB_DM_DOWN        |
| 39         | 33 | —  | PTA5                            | RGPIO5           | USB_DP_DOWN        |
| 40         | —  | —  | PTA6                            | RGPIO6           | USB_ID             |
| 41         | —  | —  | PTA7                            | RGPIO7           | —                  |
| 42         | 34 | 23 | PTB0                            | MISO2            | ADP0               |
| 43         | 35 | 24 | PTB1                            | MOSI2            | ADP1               |
| 44         | 36 | 25 | PTB2                            | SPSCK2           | ADP2               |
| 45         | 37 | 26 | PTB3                            | $\overline{SS2}$ | ADP3               |
| 46         | 38 | 27 | PTB4                            | KBIP4            | ADP4               |
| 47         | 39 | 28 | PTB5                            | KBIP5            | ADP5               |
| 48         | 40 | —  | PTB6                            | ADP6             | —                  |

**Table 4. Pin Assignments by Package and Pin Sharing Priority (continued)**

| Pin Number |    |    | <-- Lowest Priority --> Highest |         |       |
|------------|----|----|---------------------------------|---------|-------|
| 80         | 64 | 44 | Port Pin                        | Alt 1   | Alt 2 |
| 49         | 41 | —  | PTB7                            | ADP7    | —     |
| 50         | 42 | 29 | PTD0                            | ADP8    | ACMP+ |
| 51         | 43 | 30 | PTD1                            | ADP9    | ACMP- |
| 52         | 44 | 31 | —                               | —       | VDDA  |
| 53         | 45 |    | —                               | —       | VREFH |
| 54         | 46 | 32 | —                               | —       | VREFL |
| 55         | 47 |    | —                               | —       | VSSA  |
| 56         | 48 | 33 | PTD2                            | KBIP2   | ACMPO |
| 57         | —  | —  | PTJ0                            | RGPIO11 | —     |
| 58         | —  | —  | PTJ1                            | RGPIO12 | —     |
| 59         | —  | —  | PTJ2                            | RGPIO13 | —     |
| 60         | —  | —  | PTJ3                            | RGPIO14 | —     |
| 61         | —  | —  | PTJ4                            | RGPIO15 | —     |
| 62         | 49 | —  | PTD3                            | KBIP3   | ADP10 |
| 63         | 50 | —  | PTD4                            | ADP11   | —     |
| 64         | 51 | —  | PTD5                            | —       | —     |
| 65         | 52 | —  | PTD6                            | —       | —     |
| 66         | 53 | —  | PTD7                            | —       | —     |
| 67         | 54 | 34 | PTG2                            | KBIP6   | —     |
| 68         | 55 | 35 | PTG3                            | KBIP7   | —     |
| 69         | 56 | 36 | —                               | BKGD    | MS    |
| 70         | 57 | 37 | PTG4                            | XTAL    | —     |
| 71         | 58 | 38 | PTG5                            | EXTAL   | —     |
| 72         | 59 | 39 | —                               | —       | VSS   |
| 73         | —  | —  | —                               | —       | VDD   |
| 74         | —  | —  | PTG6                            | —       | —     |
| 75         | —  | —  | PTG7                            | —       | —     |
| 76         | 60 | 40 | PTC0                            | SCL1    | —     |
| 77         | 61 | 41 | PTC1                            | SDA1    | —     |
| 78         | 62 | 42 | PTC2                            | IRO     | —     |
| 79         | 63 | 43 | PTC3                            | TXD2    | —     |
| 80         | 64 | 44 | PTC5                            | RXD2    | —     |

## 2 Preliminary Electrical Characteristics

This section contains electrical specification tables and reference timing diagrams for the MCF51JM128 microcontroller, including detailed information on power considerations, DC/AC electrical characteristics, and AC timing specifications.

The electrical specifications are preliminary and are from previous designs or design simulations. These specifications may not be fully tested or guaranteed at this early stage of the product life cycle. These specifications will, however, be met for production silicon. Finalized specifications will be published after complete characterization and device qualifications have been completed.

### NOTE

The parameters specified in this data sheet supersede any values found in the module specifications.

### 2.1 Parameter Classification

The electrical parameters shown in this supplement are guaranteed by various methods. To give the customer a better understanding the following classification is used and the parameters are tagged accordingly in the tables where appropriate:

**Table 5. Parameter Classifications**

|          |  |
|----------|--|
| <b>P</b> | Those parameters are guaranteed during production testing on each individual device.   |
| <b>C</b> | Those parameters are achieved by the design characterization by measuring a statistically relevant sample size across process variations.  |
| <b>T</b> | Those parameters are achieved by design characterization on a small sample size from typical devices under typical conditions unless otherwise noted. All values shown in the typical column are within this category. |
| <b>D</b> | Those parameters are derived mainly from simulations.  |

### NOTE

The classification is shown in the column labeled C in the parameter tables where appropriate.

### 2.2 Absolute Maximum Ratings

Absolute maximum ratings are stress ratings only, and functional operation at the maxima is not guaranteed. Stress beyond the limits specified in [Table 6](#) may affect device reliability or cause permanent damage to the device. For functional operating conditions, refer to the remaining tables in this section.

This device contains circuitry protecting against damage due to high static voltage or electrical fields; however, it is advised that normal precautions be taken to avoid application of any voltages higher than maximum-rated voltages to this high-impedance circuit. Reliability of operation is enhanced if unused inputs are tied to an appropriate logic voltage level (for instance,  $V_{SS}$  or  $V_{DD}$ ).

**Table 6. Absolute Maximum Ratings**

| Rating   | Symbol    | Value                   | Unit |
|--|-----------|-------------------------|------|
| Supply voltage   | $V_{DD}$  | -0.3 to + 5.8           | V    |
| Input voltage  | $V_{In}$  | - 0.3 to $V_{DD} + 0.3$ | V    |
| Instantaneous maximum current (applies to all port pins) <sup>1, 2, 3</sup> Single pin limit | $I_D$     | $\pm 25$                | mA   |
| Maximum current into $V_{DD}$  | $I_{DD}$  | 120                     | mA   |
| Storage temperature  | $T_{stg}$ | -55 to +150             | °C   |
| Maximum junction temperature   | $T_J$     | 150                     | °C   |

- <sup>1</sup> Input must be current limited to the value specified. To determine the value of the required current-limiting resistor, calculate resistance values for positive ( $V_{DD}$ ) and negative ( $V_{SS}$ ) clamp voltages, then use the larger of the two resistance values.
- <sup>2</sup> All functional non-supply pins are internally clamped to  $V_{SS}$  and  $V_{DD}$ .
- <sup>3</sup> Power supply must maintain regulation within operating  $V_{DD}$  range during instantaneous and operating maximum current conditions. If positive injection current ( $V_{In} > V_{DD}$ ) is greater than  $I_{DD}$ , the injection current may flow out of  $V_{DD}$  and could result in external power supply going out of regulation. Ensure external  $V_{DD}$  load shunt current is greater than maximum injection current. This is the greatest risk when the MCU is not consuming power. Examples: if no system clock is present or if the clock rate is low, which would reduce overall power consumption.

## 2.3 Thermal Characteristics

This section provides information about operating temperature range, power dissipation, and package thermal resistance. Power dissipation on I/O pins is usually small compared to the power dissipation in on-chip logic and it is user-determined rather than being controlled by the MCU design. To take  $P_{I/O}$  into account in power calculations, determine the difference between actual pin voltage and  $V_{SS}$  or  $V_{DD}$  and multiply by the pin current for each I/O pin. Except in cases of unusually high pin current (heavy loads), the difference between pin voltage and  $V_{SS}$  or  $V_{DD}$  is small.

**Table 7. Thermal Characteristics**

| Rating                                 | Symbol        | Value       | Unit |
|--|---------------|-------------|------|
| Operating temperature range (packaged) | $T_A$         | -40 to +105 | °C   |
| Thermal resistance <sup>1,2,3,4</sup>  |               |             |      |
| 80-pin LQFP                            |               |             |      |
|  | 1s            | 52          |      |
|  | 2s2p          | 40          |      |
| 64-pin LQFP                            |               |             |      |
|  | 1s            | 65          |      |
|  | 2s2p          | 47          |      |
| 64-pin QFP                             | $\theta_{JA}$ |             | °C/W |
|  | 1s            | 54          |      |
|  | 2s2p          | 40          |      |
| 44-pin LQFP                            |               |             |      |
|  | 1s            | 69          |      |
|  | 2s2p          | 48          |      |

- <sup>1</sup> Junction temperature is a function of die size, on-chip power dissipation, package thermal resistance, mounting site (board) temperature, ambient temperature, air flow, power dissipation of other components on the board, and board thermal resistance.
- <sup>2</sup> Junction to Ambient Natural Convection



- <sup>3</sup> 1s - Single Layer Board, one signal layer
- <sup>4</sup> 2s2p - Four Layer Board, 2 signal and 2 power layers

The average chip-junction temperature ( $T_J$ ) in °C can be obtained from:

$$T_J = T_A + (P_D \times \theta_{JA}) \tag{Eqn. 1}$$

where:

$T_A$  = Ambient temperature, °C  
 $\theta_{JA}$  = Package thermal resistance, junction-to-ambient, °C/W  
 $P_D = P_{int} + P_{I/O}$   
 $P_{int} = I_{DD} \times V_{DD}$ , Watts — chip internal power  
 $P_{I/O}$  = Power dissipation on input and output pins — user determined

For most applications,  $P_{I/O} \ll P_{int}$  and can be neglected. An approximate relationship between  $P_D$  and  $T_J$  (if  $P_{I/O}$  is neglected) is:

$$P_D = K \div (T_J + 273^\circ\text{C}) \tag{Eqn. 2}$$

Solving equations 1 and 2 for K gives:

$$K = P_D \times (T_A + 273^\circ\text{C}) + \theta_{JA} \times (P_D)^2 \tag{Eqn. 3}$$

where K is a constant pertaining to the particular part. K can be determined from equation 3 by measuring  $P_D$  (at equilibrium) for a known  $T_A$ . Using this value of K, the values of  $P_D$  and  $T_J$  can be obtained by solving equations 1 and 2 iteratively for any value of  $T_A$ .

## 2.4 Electrostatic Discharge (ESD) Protection Characteristics

Although damage from static discharge is much less common on these devices than on early CMOS circuits, normal handling precautions should be used to avoid exposure to static discharge. Qualification tests are performed to ensure that these devices can withstand exposure to reasonable levels of static without suffering any permanent damage.

All ESD testing is in conformity with CDF-AEC-Q00 Stress Test Qualification for Automotive Grade Integrated Circuits. (<http://www.aecouncil.com/>) This device was qualified to AEC-Q100 Rev E.

A device is considered to have failed if, after exposure to ESD pulses, the device no longer meets the device specification requirements. Complete DC parametric and functional testing is performed per the applicable device specification at room temperature followed by hot temperature, unless specified otherwise in the device specification.

**Table 8. ESD and Latch-up Test Conditions**

| Model      | Description                 | Symbol | Value | Unit |
|------------|-----------------------------|--------|-------|------|
| Human Body | Series Resistance           | R1     | 1500  | Ω    |
|            | Storage Capacitance         | C      | 100   | pF   |
|            | Number of Pulse per pin     | –      | 3     |      |
| Latch-up   | Minimum input voltage limit |        | –2.5  | V    |
|            | Maximum input voltage limit |        | 7.5   | V    |

**Table 9. ESD and Latch-Up Protection Characteristics**

| Num | Rating  | Symbol    | Min      | Max | Unit |
|-----|---|-----------|----------|-----|------|
| 1   | Human Body Model (HBM)                        | $V_{HBM}$ | +/- 2000 | —   | V    |
| 2   | Charge Device Model (CDM)                     | $V_{CDM}$ | +/- 500  | —   | V    |
| 3   | Latch-up Current at $T_A = 105^\circ\text{C}$ | $I_{LAT}$ | +/- 100  | —   | mA   |

## 2.5 DC Characteristics

This section includes information about power supply requirements, I/O pin characteristics, and power supply current in various operating modes.

**Table 10. DC Characteristics**

| Num | C | Parameter  | Symbol    | Min            | Typ <sup>1</sup> | Max                      | Unit |
|-----|---|--|-----------|----------------|------------------|--------------------------|------|
| 1   |   | Operating voltage <sup>2</sup>   |           | 2.7            | —                | 5.5                      | V    |
| 2   | P | Output high voltage — Low Drive (PTxDSn = 0)<br>5 V, $I_{Load} = -4$ mA<br>3 V, $I_{Load} = -2$ mA<br>5 V, $I_{Load} = -2$ mA<br>3 V, $I_{Load} = -1$ mA   | $V_{OH}$  | $V_{DD} - 1.5$ | —                | —                        | V    |
|     |   | $V_{DD} - 1.5$<br>$V_{DD} - 0.8$<br>$V_{DD} - 0.8$   |           | —<br>—<br>—    | —<br>—<br>—      |                          |      |
| 3   | P | Output high voltage — High Drive (PTxDSn = 1)<br>5 V, $I_{Load} = -15$ mA<br>3 V, $I_{Load} = -8$ mA<br>5 V, $I_{Load} = -8$ mA<br>3 V, $I_{Load} = -4$ mA | $V_{OH}$  | $V_{DD} - 1.5$ | —                | —                        | V    |
|     |   | $V_{DD} - 1.5$<br>$V_{DD} - 0.8$<br>$V_{DD} - 0.8$   |           | —<br>—<br>—    | —<br>—<br>—      |                          |      |
| 3   | P | Output low voltage — Low Drive (PTxDSn = 0)<br>5 V, $I_{Load} = 4$ mA<br>3 V, $I_{Load} = 2$ mA<br>5 V, $I_{Load} = 2$ mA<br>3 V, $I_{Load} = 1$ mA        | $V_{OL}$  |                | —                | 1.5<br>1.5<br>0.8<br>0.8 | V    |
|     |   | Output low voltage — High Drive (PTxDSn = 1)<br>5 V, $I_{Load} = 15$ mA<br>3 V, $I_{Load} = 8$ mA<br>5 V, $I_{Load} = 8$ mA<br>3 V, $I_{Load} = 4$ mA      |           |                | —<br>—<br>—<br>— | 1.5<br>1.5<br>0.8<br>0.8 |      |
| 4   | P | Output high current — Max total $I_{OH}$ for all ports<br>5V<br>3V   | $I_{OHT}$ | —<br>—         | —<br>—           | 100<br>60                | mA   |
| 5   | P | Output low current — Max total $I_{OL}$ for all ports<br>5V<br>3V  | $I_{OLT}$ | —<br>—         | —<br>—           | 100<br>60                | mA   |
| 6   | P | Input high voltage; all digital inputs   | $V_{IH}$  |                |                  |                          | V    |
|     |   | $V_{DD} = 5V$<br>$V_{DD} = 3V$   |           | 3.25<br>2.10   | —<br>—           | —<br>—                   |      |

Table 10. DC Characteristics (continued)

| Num | C | Parameter   | Symbol     | Min                  | Typ <sup>1</sup> | Max          | Unit       |
|-----|---|---|------------|----------------------|------------------|--------------|------------|
| 7   | P | Input low voltage; all digital inputs                   | $V_{IL}$   | —                    | —                | 1.75<br>1.05 | V          |
|     |   | $V_{DD} = 5V$<br>$V_{DD} = 3V$                          |            |                      |                  |              |            |
| 8   | P | Input hysteresis; all digital inputs                    | $V_{hys}$  | $0.06 \times V_{DD}$ |                  |              | mV         |
| 9   | P | Input leakage current; input only pins <sup>3</sup>     | $ I_{in} $ | —                    | 0.1              | 1            | $\mu A$    |
| 10  | P | High Impedance (off-state) leakage current <sup>3</sup> | $ I_{OZ} $ | —                    | 0.1              | 1            | $\mu A$    |
| 11  | P | Internal pullup resistors <sup>4</sup>                  | $R_{PU}$   | 20                   | 45               | 65           | k $\Omega$ |
| 12  | P | Internal pulldown resistors <sup>5</sup>                | $R_{PD}$   | 20                   | 45               | 65           | k $\Omega$ |
| 13  |   | Internal pullup resistor to USBDP (to $V_{USB33}$ )     | $R_{PUPD}$ | 900<br>1425          | 1300<br>2400     | 1575<br>3090 | k $\Omega$ |
|     |   | Idle<br>Transmit  |            |                      |                  |              |            |
| 14  | C | Input Capacitance; all non-supply pins                  | $C_{in}$   | —                    | —                | 8            | pF         |
| 15  | D | RAM retention voltage <sup>6</sup>                      | $V_{RAM}$  | —                    | 0.6              | 1.0          | V          |
| 16  | P | POR rearm voltage                                       | $V_{POR}$  | 0.9                  | 1.4              | 2.0          | V          |
| 17  | D | POR rearm time  | $t_{POR}$  | 10                   | —                | —            | $\mu s$    |
| 18  | P | Low-voltage detection threshold —<br>high range         | $V_{LVD1}$ | 3.9<br>4.0           | 4.0<br>4.1       | 4.1<br>4.2   | V          |
|     |   | $V_{DD}$ falling<br>$V_{DD}$ rising                     |            |                      |                  |              |            |
| 19  | P | Low-voltage detection threshold —<br>low range          | $V_{LVD0}$ | 2.48<br>2.54         | 2.56<br>2.62     | 2.64<br>2.70 | V          |
|     |   | $V_{DD}$ falling<br>$V_{DD}$ rising                     |            |                      |                  |              |            |
| 20  | C | Low-voltage warning threshold —<br>high range 1         | $V_{LVW3}$ | 4.5<br>4.6           | 4.6<br>4.7       | 4.7<br>4.8   | V          |
|     |   | $V_{DD}$ falling<br>$V_{DD}$ rising                     |            |                      |                  |              |            |
| 21  | P | Low-voltage warning threshold —<br>high range 0         | $V_{LVW2}$ | 4.2<br>4.3           | 4.3<br>4.4       | 4.4<br>4.5   | V          |
|     |   | $V_{DD}$ falling<br>$V_{DD}$ rising                     |            |                      |                  |              |            |
| 22  | P | Low-voltage warning threshold<br>low range 1            | $V_{LVW1}$ | 2.84<br>2.90         | 2.92<br>2.98     | 3.00<br>3.06 | V          |
|     |   | $V_{DD}$ falling<br>$V_{DD}$ rising                     |            |                      |                  |              |            |
| 23  | C | Low-voltage warning threshold —<br>low range 0          | $V_{LVW0}$ | 2.66<br>2.72         | 2.74<br>2.80     | 2.82<br>2.88 | V          |
|     |   | $V_{DD}$ falling<br>$V_{DD}$ rising                     |            |                      |                  |              |            |
| 24  | T | Low-voltage inhibit reset/recover hysteresis            | $V_{hys}$  | —<br>—               | 100<br>60        | —<br>—       | mV         |
|     |   | 5 V<br>3 V  |            |                      |                  |              |            |

## Preliminary Electrical Characteristics

- 1 Typical values are based on characterization data at 25°C unless otherwise stated.
- 2 Operating voltage with USB enabled can be found in [Section 2.14, "USB Electricals."](#)
- 3 Measured with  $V_{In} = V_{DD}$  or  $V_{SS}$ .
- 4 Measured with  $V_{In} = V_{SS}$ .
- 5 Measured with  $V_{In} = V_{DD}$ .
- 6 This is the voltage below which the contents of RAM are not guaranteed to be maintained.



Figure 5. Typical Low-side Drive (sink) characteristics – High Drive (PTxDSn = 1)



Figure 6. Typical Low-side Drive (sink) characteristics – Low Drive (PTxDSn = 0)

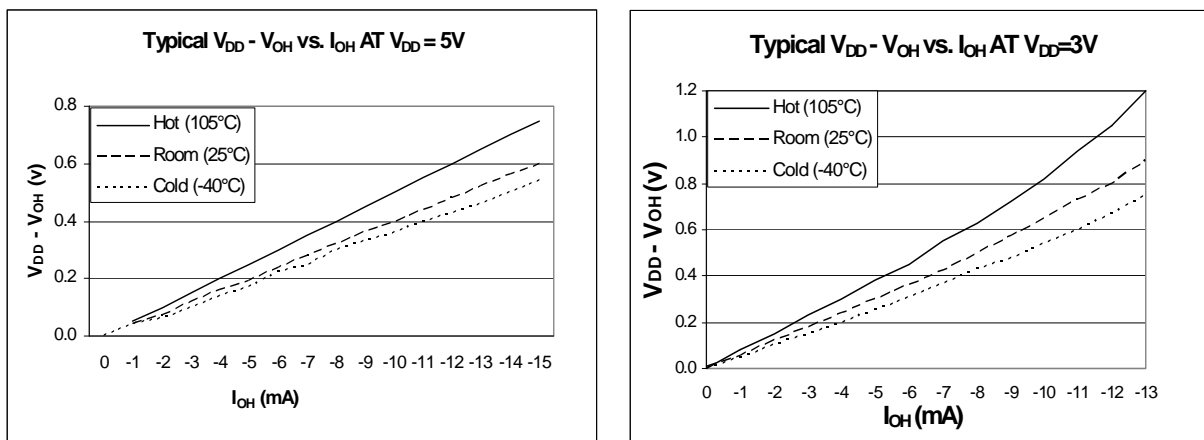


Figure 7. Typical High-side Drive (source) characteristics – High Drive (PTxDSn = 1)

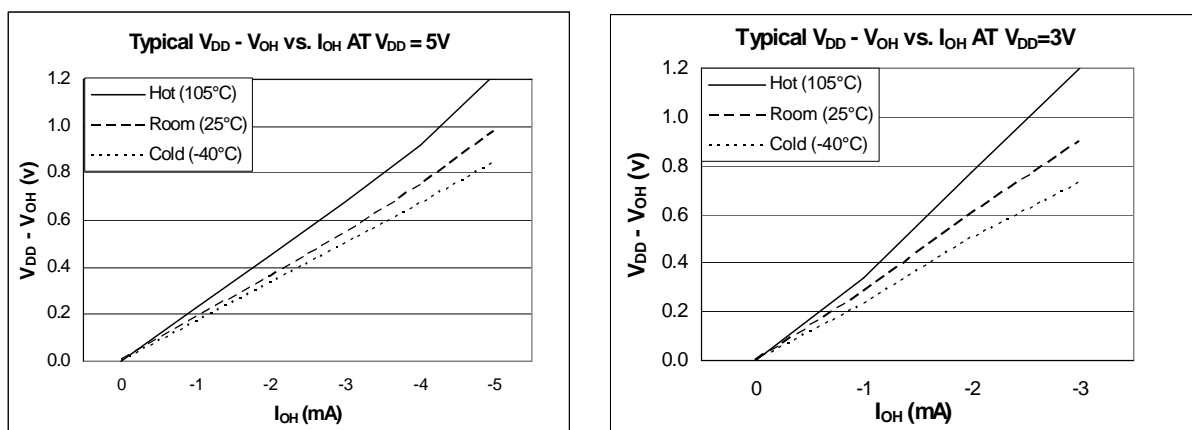


Figure 8. Typical High-side Drive (source) characteristics – Low Drive (PTxDSn = 0)

## 2.6 Supply Current Characteristics

Table 11. Supply Current Characteristics

| Num | C | Parameter  | Symbol       | $V_{DD}$ (V) | Typical <sup>1</sup> | Max <sup>2</sup> | Unit |
|-----|---|--|--------------|--------------|----------------------|------------------|------|
| 1   | C | Run supply current <sup>3</sup> measured at (CPU clock = 2 MHz, $f_{BUS} = 1$ MHz)   | $R_{I_{DD}}$ | 5            | 4.0                  | 7                | mA   |
|     |   |  |              | 3            | 4.0                  | 7                |      |
| 2   | P | Run supply current <sup>3</sup> measured at (CPU clock = 16 MHz, $f_{BUS} = 8$ MHz)  |              | 5            | 19                   | 30               | mA   |
|     |   |  |              | 3            | 18.7                 | 30               |      |
| 3   | C | Run supply current <sup>3</sup> measured at (CPU clock = 48 MHz, $f_{BUS} = 24$ MHz) |              | 5            | 45                   | 70               | mA   |
|     |   |  |              | 3            | 44                   | 70               |      |

**Table 11. Supply Current Characteristics**

| Num | C | Parameter   | Symbol                 | V <sub>DD</sub> (V) | Typical <sup>1</sup> | Max <sup>2</sup> | Unit |    |
|-----|---|---|------------------------|---------------------|----------------------|------------------|------|----|
| 4   | C | Wait mode supply current <sup>3</sup> measured at (CPU clock = 2 MHz, f <sub>BUS</sub> = 1 MHz)   | W <sub>I</sub> DD      | 5                   | 2.03                 | 3                | mA   |    |
|     |   |   |                        | 3                   | 2                    | 3                |      |    |
| 5   | C | Wait mode supply current <sup>3</sup> measured at (CPU clock = 16 MHz, f <sub>BUS</sub> = 8 MHz)  | W <sub>I</sub> DD      | 5                   | 7.73                 | 12               | mA   |    |
|     |   |   |                        | 3                   | 7.7                  | 12               |      |    |
| 6   | C | Wait mode supply current <sup>3</sup> measured at (CPU clock = 48 MHz, f <sub>BUS</sub> = 24 MHz) | W <sub>I</sub> DD      | 5                   | 22                   | 30               | mA   |    |
|     |   |   |                        | 3                   | 21.9                 | 30               |      |    |
| 7   | C | Stop2 mode supply current   | S2 <sub>I</sub> DD     | 5                   | 1.35                 | 3                | μA   |    |
|     |   |   |                        |                     |                      | 3                |      | 3  |
|     |   |   |                        | 3                   | 1.25                 | 3                |      |    |
|     |   |   |                        |                     |                      | 3                |      | 35 |
| 8   | P | Stop3 mode supply current   | S3 <sub>I</sub> DD     | 5                   | 1.41                 | 3                | μA   |    |
|     |   |   |                        |                     |                      | 3                |      | 3  |
|     |   |   |                        | 3                   | 1.35                 | 3                |      |    |
|     |   |   |                        |                     |                      | 3                |      | 35 |
| 9   | C | Stop4 mode supply current   | S4 <sub>I</sub> DD     | 5                   | 106                  | 200              | μA   |    |
|     |   |   |                        |                     |                      | 3                |      | 96 |
|     |   |   |                        | 5                   | 300                  | —                |      | nA |
|     |   |   |                        |                     |                      | 3                |      |    |
| 11  | P | Adder to stop3 for oscillator enabled <sup>5</sup> (ERCLKEN = 1 and EREFSTEN = 1)                 | S23 <sub>I</sub> DDOSC | 5                   | 5                    | —                | μA   |    |
|     |   |   |                        | 3                   | 5                    | —                |      |    |

<sup>1</sup> Typical values are measured at 25°C.

<sup>2</sup> Values given here are preliminary estimates prior to completing characterization.

<sup>3</sup> All modules' clocks are switched on, code runs from flash, in FEI mode, and there are no DC loads on port pins.

<sup>4</sup> Most customers are expected to find that auto-wakeup from stop2 or stop3 can be used instead of the higher current wait mode.

<sup>5</sup> Values given under the following conditions: low range operation (RANGE = 0), low power mode (HGO = 0)

## 2.7 Analog Comparator (ACMP) Electricals

Table 12. Analog Comparator Electrical Specifications

| Num | C | Rating  | Symbol      | Min            | Typical | Max      | Unit          |
|-----|---|---|-------------|----------------|---------|----------|---------------|
| 1   |   | Supply voltage  | $V_{DD}$    | 2.7            | —       | 5.5      | V             |
| 2   |   | Supply current (active)   | $I_{DDAC}$  | —              | 20      | 35       | $\mu\text{A}$ |
| 3   |   | Analog input voltage  | $V_{AIN}$   | $V_{SS} - 0.3$ | —       | $V_{DD}$ | V             |
| 4   |   | Analog input offset voltage   | $V_{AIO}$   |                | 20      | 40       | mV            |
| 5   |   | Analog Comparator hysteresis  | $V_H$       | 3.0            | 6.0     | 20.0     | mV            |
| 6   |   | Analog input leakage current  | $I_{ALKG}$  | --             | --      | 1.0      | $\mu\text{A}$ |
| 7   |   | Analog Comparator initialization delay  | $t_{AINIT}$ | —              | —       | 1.0      | $\mu\text{s}$ |
| 8   |   | Bandgap Voltage Reference<br>Factory trimmed at $V_{DD} = 3.0\text{ V}$ , Temp = 25°C | $V_{BG}$    | 1.19           | 1.20    | 1.21     | V             |

## 2.8 ADC Characteristics

Table 13. 5 Volt 12-bit ADC Operating Conditions

| Characteristic             | Conditions  | Symb             | Min        | Typ <sup>1</sup> | Max        | Unit       | Comment         |
|----------------------------|---|------------------|------------|------------------|------------|------------|-----------------|
| Supply voltage             | Absolute  | $V_{DDA}$        | 2.7        | —                | 5.5        | V          |                 |
|                            | Delta to $V_{DD}$ ( $V_{DD} - V_{DDA}$ ) <sup>2</sup>               | $\Delta V_{DDA}$ | -100       | 0                | +100       | mV         |                 |
| Ground voltage             | Delta to $V_{SS}$ ( $V_{SS} - V_{SSA}$ ) <sup>2</sup>               | $\Delta V_{SSA}$ | -100       | 0                | +100       | mV         |                 |
| Ref Voltage High           |   | $V_{REFH}$       | 2.7        | $V_{DDA}$        | $V_{DDA}$  | V          |                 |
| Ref Voltage Low            |   | $V_{REFL}$       | $V_{SSA}$  | $V_{SSA}$        | $V_{SSA}$  | V          |                 |
| Input Voltage              |   | $V_{ADIN}$       | $V_{REFL}$ | —                | $V_{REFH}$ | V          |                 |
| Input Capacitance          |   | $C_{ADIN}$       | —          | 4.5              | 5.5        | pF         |                 |
| Input Resistance           |   | $R_{ADIN}$       | —          | 3                | 5          | k $\Omega$ |                 |
| Analog Source Resistance   | 12 bit mode<br>$f_{ADCK} > 4\text{MHz}$<br>$f_{ADCK} < 4\text{MHz}$ | $R_{AS}$         | —          | —                | 2          | k $\Omega$ | External to MCU |
|                            | 10 bit mode<br>$f_{ADCK} > 4\text{MHz}$<br>$f_{ADCK} < 4\text{MHz}$ |                  | —          | —                | 5          |            |                 |
|                            | 8 bit mode (all valid $f_{ADCK}$ )                                  |                  | —          | —                | 10         |            |                 |
| ADC Conversion Clock Freq. | High Speed (ADLPC=0)  | $f_{ADCK}$       | 0.4        | —                | 8.0        | MHz        |                 |
|                            | Low Power (ADLPC=1)   |                  | 0.4        | —                | 4.0        |            |                 |

<sup>1</sup> Typical values assume  $V_{DDA} = 5.0\text{V}$ , Temp = 25°C,  $f_{ADCK} = 1.0\text{MHz}$  unless otherwise stated. Typical values are for reference only and are not tested in production.

<sup>2</sup> DC potential difference.



Figure 9. ADC Input Impedance Equivalency Diagram

Table 14. 5 Volt 12-bit ADC Characteristics ( $V_{REFH} = V_{DDA}$ ,  $V_{REFL} = V_{SSA}$ )

| Characteristic                                  | Conditions              | C | Symb        | Min  | Typ <sup>1</sup> | Max | Unit          | Comment                   |
|---|-------------------------|---|-------------|------|------------------|-----|---------------|---------------------------|
| Supply Current<br>ADLPC=1<br>ADLSMP=1<br>ADCO=1 |                         | T | $I_{DDAD}$  | —    | 133              | —   | $\mu\text{A}$ |                           |
| Supply Current<br>ADLPC=1<br>ADLSMP=0<br>ADCO=1 |                         | T | $I_{DDAD}$  | —    | 218              | —   | $\mu\text{A}$ |                           |
| Supply Current<br>ADLPC=0<br>ADLSMP=1<br>ADCO=1 |                         | T | $I_{DDAD}$  | —    | 327              | —   | $\mu\text{A}$ |                           |
| Supply Current<br>ADLPC=0<br>ADLSMP=0<br>ADCO=1 |                         | P | $I_{DDAD}$  | —    | 0.582            | 1   | mA            |                           |
| Supply Current                                  | Stop, Reset, Module Off |   | $I_{DDAD}$  | —    | 0.011            | 1   | $\mu\text{A}$ |                           |
| ADC<br>Asynchronous<br>Clock Source             | High Speed (ADLPC=0)    | T | $f_{ADACK}$ | 2    | 3.3              | 5   | MHz           | $t_{ADACK} = 1/f_{ADACK}$ |
|   | Low Power (ADLPC=1)     |   |             | 1.25 | 2                | 3.3 |               |                           |



**Table 14. 5 Volt 12-bit ADC Characteristics ( $V_{REFH} = V_{DDA}$ ,  $V_{REFL} = V_{SSA}$ ) (continued)**

| Characteristic                             | Conditions               | C | Symb         | Min | Typ <sup>1</sup> | Max       | Unit             | Comment                                   |
|--|--------------------------|---|--------------|-----|------------------|-----------|------------------|---|
| Conversion Time<br>(Including sample time) | Short Sample (ADLSMP=0)  | T | $t_{ADC}$    | —   | 20               | —         | ADCK cycles      | See Table 9 for conversion time variances |
|  | Long Sample (ADLSMP=1)   |   |              | —   | 40               | —         |                  |   |
| Sample Time                                | Short Sample (ADLSMP=0)  | T | $t_{ADS}$    | —   | 3.5              | —         | ADCK cycles      |   |
|  | Long Sample (ADLSMP=1)   |   |              | —   | 23.5             | —         |                  |   |
| Total Unadjusted Error                     | 12 bit mode              | T | $E_{TUE}$    | —   | $\pm 3.0$        | —         | LSB <sup>2</sup> | Includes quantization                     |
|  | 10 bit mode              | P |              | —   | $\pm 1$          | $\pm 2.5$ |                  |   |
|  | 8 bit mode               | T |              | —   | $\pm 0.5$        | $\pm 1.0$ |                  |   |
| Differential Non-Linearity                 | 12 bit mode              | T | DNL          | —   | $\pm 1.75$       | —         | LSB <sup>2</sup> |   |
|  | 10 bit mode <sup>3</sup> | P |              | —   | $\pm 0.5$        | $\pm 1.0$ |                  |   |
|  | 8 bit mode <sup>3</sup>  | T |              | —   | $\pm 0.3$        | $\pm 0.5$ |                  |   |
| Integral Non-Linearity                     | 12 bit mode              | T | INL          | —   | $\pm 1.5$        | —         | LSB <sup>2</sup> |   |
|  | 10 bit mode              | T |              | —   | $\pm 0.5$        | $\pm 1.0$ |                  |   |
|  | 8 bit mode               | T |              | —   | $\pm 0.3$        | $\pm 0.5$ |                  |   |
| Zero-Scale Error                           | 12 bit mode              | T | $E_{ZS}$     | —   | $\pm 1.5$        | —         | LSB <sup>2</sup> | $V_{ADIN} = V_{SSAD}$                     |
|  | 10 bit mode              | P |              | —   | $\pm 0.5$        | $\pm 1.5$ |                  |   |
|  | 8 bit mode               | T |              | —   | $\pm 0.5$        | $\pm 0.5$ |                  |   |
| Full-Scale Error                           | 12 bit mode              | T | $E_{FS}$     | —   | $\pm 1$          | —         | LSB <sup>2</sup> | $V_{ADIN} = V_{DDAD}$                     |
|  | 10 bit mode              | T |              | —   | $\pm 0.5$        | $\pm 1$   |                  |   |
|  | 8 bit mode               | T |              | —   | $\pm 0.5$        | $\pm 0.5$ |                  |   |
| Quantization Error                         | 12 bit mode              | D | $E_Q$        | —   | -1 to 0          | —         | LSB <sup>2</sup> |   |
|  | 10 bit mode              |   |              | —   | —                | $\pm 0.5$ |                  |   |
|  | 8 bit mode               |   |              | —   | —                | $\pm 0.5$ |                  |   |
| Input Leakage Error                        | 12 bit mode              | D | $E_{IL}$     | —   | $\pm 1$          | —         | LSB <sup>2</sup> | Pad leakage <sup>4</sup> *<br>$R_{AS}$    |
|  | 10 bit mode              |   |              | —   | $\pm 0.2$        | $\pm 2.5$ |                  |   |
|  | 8 bit mode               |   |              | —   | $\pm 0.1$        | $\pm 1$   |                  |   |
| Temp Sensor Voltage                        | 25°C                     | D | $V_{TEMP25}$ | —   | 1.396            | —         | V                |   |
| Temp Sensor Slope                          | -40°C - 25°C             | D | m            | —   | 3.266            | —         | mV/°C            |   |
|  | 25°C - 125°C             |   |              | —   | 3.638            | —         |                  |   |

<sup>1</sup> Typical values assume  $V_{DDA} = 5.0V$ , Temp = 25°C,  $f_{ADCK} = 1.0MHz$  unless otherwise stated. Typical values are for reference only and are not tested in production.

<sup>2</sup> 1 LSB =  $(V_{REFH} - V_{REFL})/2^N$

<sup>3</sup> Monotonicity and No-Missing-Codes guaranteed in 10 bit and 8 bit modes

<sup>4</sup> Based on input pad leakage current. Refer to pad electricals.

## 2.9 External Oscillator (XOSC) Characteristics

Table 15. Oscillator Electrical Specifications (Temperature Range = -40 to 105°C Ambient)

| Num | C | Rating  | Symbol         | Min   | Typ <sup>1</sup> | Max  | Unit     |    |
|-----|---|---|----------------|---|------------------|------|----------|----|
| 1   |   | Oscillator crystal or resonator (EREFS = 1, ERCLKEN = 1)<br>• Low range (RANGE = 0)<br>• High range (RANGE = 1) FEE or FBE mode <sup>2</sup><br>• High range (RANGE = 1) PEE or PBE mode <sup>3</sup><br>• High range (RANGE = 1, HGO = 1) BLPE mode<br>• High range (RANGE = 1, HGO = 0) BLPE mode | $f_{lo}$       | 32  | —                | 38.4 | kHz      |    |
|     |   |   | $f_{hi-ll}$    | 1   | —                | 5    | MHz      |    |
|     |   |   | $f_{hi-pll}$   | 1   | —                | 16   | MHz      |    |
|     |   |   | $f_{hi-hgo}$   | 1   | —                | 16   | MHz      |    |
|     |   |   | $f_{hi-lp}$    | 1   | —                | 8    | MHz      |    |
| 2   |   | Load capacitors   | $C_1$<br>$C_2$ | See crystal or resonator manufacturer's recommendation. |                  |      |          |    |
| 3   |   | Feedback resistor<br>• Low range (32 kHz to 38.4 kHz)<br>• High range (1 MHz to 16 MHz)   | $R_F$          |   | 10<br>1          |      | MΩ<br>MΩ |    |
| 4   | — | Series resistor<br>• Low range, low gain (RANGE = 0, HGO = 0)<br>• Low range, high gain (RANGE = 0, HGO = 1)<br>• High range, low gain (RANGE = 1, HGO = 0)<br>• High range, high gain (RANGE = 1, HGO = 1)   | $R_S$          | ≥ 8 MHz   | —                | 0    | —        | kΩ |
|     |   |   |                | 4 MHz   | —                | 100  | —        |    |
|     |   |   |                | 1 MHz   | —                | 0    | —        |    |
|     |   |   |                | ≥ 8 MHz   | —                | 0    | 0        |    |
|     |   |   |                | 4 MHz   | —                | 0    | 10       |    |
|     |   |   |                | 1 MHz   | —                | 0    | 20       |    |
| 5   | T | Crystal start-up time <sup>4</sup><br>• Low range, low gain (RANGE = 0, HGO = 0)<br>• Low range, high gain (RANGE = 0, HGO = 1)<br>• High range, low gain (RANGE = 1, HGO = 0) <sup>5</sup><br>• High range, high gain (RANGE = 1, HGO = 1) <sup>5</sup>  | $t_{CSTL-LP}$  | —   | 200              | —    | ms       |    |
|     |   |   | $t_{CSTL-HGO}$ | —   | 400              | —    |          |    |
|     |   |   | $t_{CSTH-LP}$  | —   | 5                | —    |          |    |
|     |   |   | $t_{CSTH-HGO}$ | —   | 15               | —    |          |    |
| 6   | T | Square wave input clock frequency (EREFS = 0, ERCLKEN = 1)<br>• FEE or FBE mode <sup>2</sup><br>• PEE or PBE mode <sup>3</sup><br>• BLPE mode   | $f_{extal}$    | 0.03125   | —                | 5    | MHz      |    |
|     |   |   |                | 1   | —                | 16   | MHz      |    |
|     |   |   |                | 0   | —                | 40   | MHz      |    |

<sup>1</sup> Data in Typical column was characterized at 5.0 V, 25°C or is typical recommended value.

<sup>2</sup> When MCG is configured for FEE or FBE mode, input clock source must be divisible using RDIV to within the range of 31.25 kHz to 39.0625 kHz.

<sup>3</sup> When MCG is configured for PEE or PBE mode, input clock source must be divisible using RDIV to within the range of 1 MHz to 2 MHz.

<sup>4</sup> This parameter is characterized and not tested on each device. Proper PC board-layout procedures must be followed to achieve specifications.

<sup>5</sup> 4 MHz crystal

## 2.10 MCG Specifications

**Table 16. MCG Frequency Specifications (Temperature Range = –40 to 125°C Ambient)**

| Num | C                   | Rating  | Symbol                   | Min                    | Typical <sup>1</sup> | Max                                       | Unit        |     |
|-----|---------------------|---|--------------------------|------------------------|----------------------|---|-------------|-----|
| 1   | P                   | Internal reference frequency - factory trimmed at $V_{DD} = 5\text{ V}$ and temperature = 25 °C       | $f_{int\_ft}$            | —                      | 32.768               | —   | kHz         |     |
| 2   | P                   | Average internal reference frequency – untrimmed  | $f_{int\_ut}$            | 31.25                  | —                    | 39.0625                                   | kHz         |     |
| 3   | T                   | Internal reference startup time   | $t_{irefst}$             | —                      | 60                   | 100                                       | μs          |     |
| 4   | P                   | DCO output frequency range - untrimmed <sup>2</sup>   | $f_{dco\_ut}$            | Low range (DRS=00)     | 16                   | —   | 20          | MHz |
|     | Mid range (DRS=01)  |   |                          | 32                     | —                    | 40  |             |     |
|     | High range (DRS=10) |   |                          | 48                     | —                    | 60  |             |     |
| 5   | P                   | DCO output frequency <sup>2</sup> Reference = 32768Hz and DMX32 = 1                                   | $f_{dco\_DMX32}$         | Low range (DRS=00)     | —                    | 19.92                                     | —           | MHz |
|     | P                   |   |                          | Mid range (DRS=01)     | —                    | 39.85                                     | —           |     |
|     | P                   |   |                          | High range (DRS=10)    | —                    | 59.77                                     | —           |     |
| 6   | D                   | Resolution of trimmed DCO output frequency at fixed voltage and temperature (using FTRIM)             | $\Delta f_{dco\_res\_t}$ | —                      | ±0.1                 | ±0.2                                      | % $f_{dco}$ |     |
| 7   | D                   | Resolution of trimmed DCO output frequency at fixed voltage and temperature (not using FTRIM)         | $\Delta f_{dco\_res\_t}$ | —                      | ±0.2                 | ±0.4                                      | % $f_{dco}$ |     |
| 8   | D                   | Total deviation of trimmed DCO output frequency over voltage and temperature                          | $\Delta f_{dco\_t}$      | —                      | 0.5<br>–1.0          | ±2  | % $f_{dco}$ |     |
| 9   | D                   | Total deviation of trimmed DCO output frequency over fixed voltage and temperature range of 0 – 70 °C | $\Delta f_{dco\_t}$      | —                      | ±0.5                 | ±1  | % $f_{dco}$ |     |
| 10  | D                   | FLL acquisition time <sup>3</sup>   | $t_{fill\_acquire}$      | —                      | —                    | 1   | ms          |     |
| 11  | D                   | PLL acquisition time <sup>4</sup>   | $t_{pll\_acquire}$       | —                      | —                    | 1   | ms          |     |
| 12  | D                   | Long term Jitter of DCO output clock (averaged over 2ms interval) <sup>5</sup>                        | $C_{jitter}$             | —                      | 0.02                 | 0.2                                       | % $f_{dco}$ |     |
| 13  | D                   | VCO operating frequency   | $f_{vco}$                | 7.0                    | —                    | 55.0                                      | MHz         |     |
| 14  | D                   | Jitter of PLL output clock measured over 625 ns <sup>6</sup>  | $f_{pll\_jitter\_625ns}$ | —                      | 0.566 <sup>5</sup>   | —   | % $f_{pll}$ |     |
| 15  | D                   | Lock entry frequency tolerance <sup>7</sup>   | $D_{lock}$               | ±1.49                  | —                    | ±2.98                                     | %           |     |
| 16  | D                   | Lock exit frequency tolerance <sup>8</sup>  | $D_{unl}$                | ±4.47                  | —                    | ±5.97                                     | %           |     |
| 17  | D                   | Lock time — FLL   | $t_{fill\_lock}$         | —                      | —                    | $t_{fill\_acquire} + 1075(1/f_{int\_t})$  | s           |     |
| 18  | D                   | Lock time — PLL   | $t_{pll\_lock}$          | —                      | —                    | $t_{pll\_acquire} + 1075(1/f_{pll\_ref})$ | s           |     |
| 19  | D                   | Loss of external clock minimum frequency – RANGE = 0  | $f_{loc\_low}$           | $(3/5) \times f_{int}$ | —                    | —   | kHz         |     |

<sup>1</sup> Data in Typical column was characterized at 5.0 V, 25C or is typical recommended value

<sup>2</sup> The resulting bus clock frequency should not exceed the maximum specified bus clock frequency of the device.

<sup>3</sup> This specification applies to any time the FLL reference source or reference divider is changed, trim value changed or changing from FLL disabled (BLPE, BLPI) to FLL enabled (FEI, FEE, FBE, FBI). If a crystal/resonator is being used as the reference, this specification assumes it is already running.

<sup>4</sup> This specification applies to any time the PLL VCO divider or reference divider is changed, or changing from PLL disabled (BLPE, BLPI) to PLL enabled (PBE, PEE). If a crystal/resonator is being used as the reference, this specification assumes it is already running.

## Preliminary Electrical Characteristics

- <sup>5</sup> Jitter is the average deviation from the programmed frequency measured over the specified interval at maximum  $f_{BUS}$ . Measurements are made with the device powered by filtered supplies and clocked by a stable external clock signal. Noise injected into the FLL circuitry via  $V_{DD}$  and  $V_{SS}$  and variation in crystal oscillator frequency increase the  $C_{Jitter}$  percentage for a given interval.
- <sup>6</sup> 625 ns represents 5 time quanta for CAN applications, under worst case conditions of 8 MHz CAN bus clock, 1 Mbps CAN bus speed, and 8 time quanta per bit for bit time settings. 5 time quanta is the minimum time between a synchronization edge and the sample point of a bit using 8 time quanta per bit.
- <sup>7</sup> Below  $D_{lock}$  minimum, the MCG is guaranteed to enter lock. Above  $D_{lock}$  maximum, the MCG will not enter lock. But if the MCG is already in lock, then the MCG may stay in lock.
- <sup>8</sup> Below  $D_{unl}$  minimum, the MCG will not exit lock if already in lock. Above  $D_{unl}$  maximum, the MCG is guaranteed to exit lock.

## 2.11 AC Characteristics

This section describes ac timing characteristics for each peripheral system.

### 2.11.1 Control Timing

Table 17. Control Timing

| Num | C | Parameter   | Symbol               | Min                         | Typ <sup>1</sup>     | Max  | Unit    |
|-----|---|---|----------------------|-----------------------------|----------------------|------|---------|
| 1   |   | Bus frequency ( $t_{cyc} = 1/f_{Bus}$ )   | $f_{Bus}$            | dc                          | —                    | 24   | MHz     |
| 2   |   | Internal low-power oscillator period  | $t_{LPO}$            | 700                         |                      | 1300 | $\mu$ s |
| 3   |   | External reset pulse width <sup>2</sup><br>( $t_{cyc} = 1/f_{Self\_reset}$ )  | $t_{extrst}$         | 100                         |                      | —    | ns      |
| 4   |   | Reset low drive   | $t_{rstdrv}$         | $66 \times t_{cyc}$         |                      | —    | ns      |
| 5   |   | Active background debug mode latch setup time   | $t_{MSSU}$           | 500                         |                      | —    | ns      |
| 6   |   | Active background debug mode latch hold time  | $t_{MSH}$            | 100                         |                      | —    | ns      |
| 7   |   | IRQ pulse width<br>Asynchronous path <sup>2</sup><br>Synchronous path <sup>3</sup>  | $t_{ILIH}, t_{IHIL}$ | 100<br>$1.5 \times t_{cyc}$ | —                    | —    | ns      |
| 8   |   | KBIPx pulse width<br>Asynchronous path <sup>2</sup><br>Synchronous path <sup>3</sup>  | $t_{ILIH}, t_{IHIL}$ | 100<br>$1.5 \times t_{cyc}$ | —                    | —    | ns      |
| 9   |   | Port rise and fall time (load = 50 pF) <sup>4</sup><br>Slew rate control disabled (PTxSE = 0) High drive<br>Slew rate control enabled (PTxSE = 1) High drive<br>Slew rate control disabled (PTxSE = 0) Low drive<br>Slew rate control enabled (PTxSE = 1) Low drive | $t_{Rise}, t_{Fall}$ | —<br>—                      | 11<br>35<br>40<br>75 |      | ns      |

<sup>1</sup> Typical values are based on characterization data at  $V_{DD} = 5.0V$ , 25°C unless otherwise stated.

<sup>2</sup> This is the shortest pulse guaranteed to be recognized as a reset pin request. Shorter pulses are not guaranteed to override reset requests from internal sources.

<sup>3</sup> This is the minimum pulse width guaranteed to pass through the pin synchronization circuitry. Shorter pulses may or may not be recognized. In stop mode, the synchronizer is bypassed so shorter pulses can be recognized in that case.

<sup>4</sup> Timing is shown with respect to 20%  $V_{DD}$  and 80%  $V_{DD}$  levels. Temperature range –40°C to 105°C.

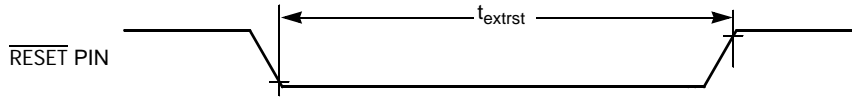


Figure 10. Reset Timing

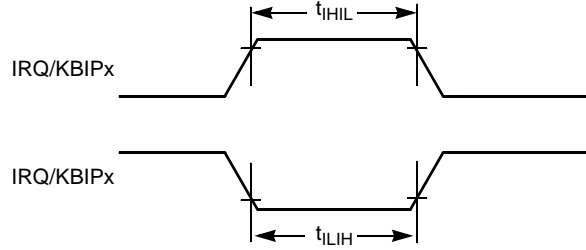


Figure 11. IRQ/KBIPx Timing

### 2.11.2 Timer/PWM (TPM) Module Timing

Synchronizer circuits determine the shortest input pulses that can be recognized or the fastest clock that can be used as the optional external source to the timer counter. These synchronizers operate from the current bus rate clock.

Table 18. TPM Input Timing

| NUM | C | Function                  | Symbol       | Min | Max         | Unit      |
|-----|---|---------------------------|--------------|-----|-------------|-----------|
| 1   | — | External clock frequency  | $f_{TPMext}$ | dc  | $f_{Bus}/4$ | MHZ       |
| 2   | — | External clock period     | $t_{TPMext}$ | 4   | —           | $t_{cyc}$ |
| 3   | D | External clock high time  | $t_{clkh}$   | 1.5 | —           | $t_{cyc}$ |
| 4   | D | External clock low time   | $t_{clkl}$   | 1.5 | —           | $t_{cyc}$ |
| 5   | D | Input capture pulse width | $t_{ICPW}$   | 1.5 | —           | $t_{cyc}$ |

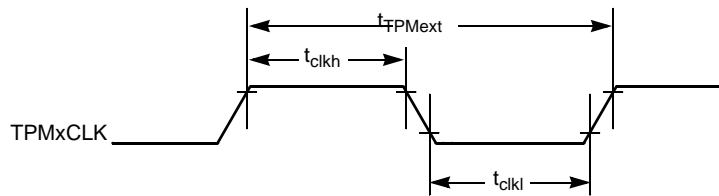


Figure 12. Timer External Clock



Figure 13. Timer Input Capture Pulse

### 2.11.3 MSCAN

Table 19. MSCAN Wake-up Pulse Characteristics

| Num | C | Parameter                             | Symbol    | Min | Typ <sup>1</sup> | Max | Unit          |
|-----|---|---------------------------------------|-----------|-----|------------------|-----|---------------|
| 1   | D | MSCAN Wake-up dominant pulse filtered | $t_{WUP}$ |     |                  | 2   | $\mu\text{s}$ |
| 2   | D | MSCAN Wake-up dominant pulse pass     | $t_{WUP}$ | 5   |                  | 5   | $\mu\text{s}$ |

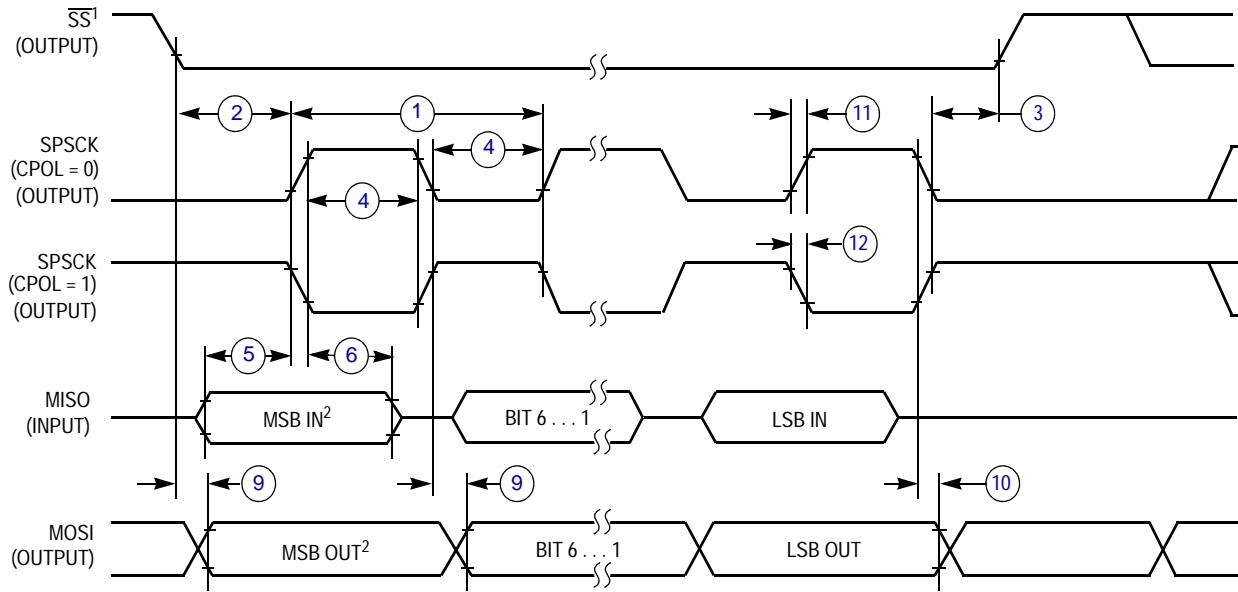
<sup>1</sup> Typical values are based on characterization data at  $V_{DD} = 5.0\text{V}$ ,  $25^\circ\text{C}$  unless otherwise stated.

## 2.12 SPI Characteristics

Table 20 and Figure 14 through Figure 17 describe the timing requirements for the SPI system.

**Table 20. SPI Timing**

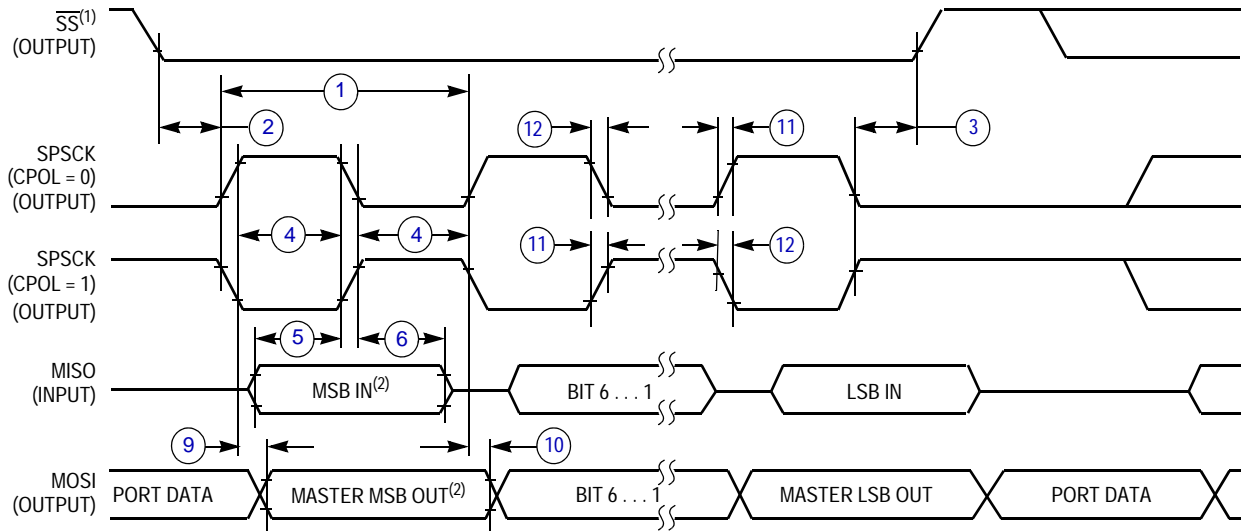
| No. | C | Function  | Symbol               | Min                              | Max                        | Unit                     |
|-----|---|---|----------------------|----------------------------------|----------------------------|--------------------------|
| —   | D | Operating frequency<br>Master<br>Slave            | $f_{op}$             | $f_{Bus}/2048$<br>0              | $f_{Bus}/2$<br>$f_{Bus}/4$ | Hz                       |
| 1   | D | SPSCK period<br>Master<br>Slave                   | $t_{SPSCK}$          | 2<br>4                           | 2048<br>—                  | $t_{cyc}$<br>$t_{cyc}$   |
| 2   | D | Enable lead time<br>Master<br>Slave               | $t_{Lead}$           | 1/2<br>1                         | —<br>—                     | $t_{SPSCK}$<br>$t_{cyc}$ |
| 3   | D | Enable lag time<br>Master<br>Slave                | $t_{Lag}$            | 1/2<br>1                         | —<br>—                     | $t_{SPSCK}$<br>$t_{cyc}$ |
| 4   | D | Clock (SPSCK) high or low time<br>Master<br>Slave | $t_{WSPSCK}$         | $t_{cyc} - 30$<br>$t_{cyc} - 30$ | $1024 t_{cyc}$<br>—        | ns<br>ns                 |
| 5   | D | Data setup time (inputs)<br>Master<br>Slave       | $t_{SU}$             | 15<br>15                         | —<br>—                     | ns<br>ns                 |
| 6   | D | Data hold time (inputs)<br>Master<br>Slave        | $t_{HI}$             | 0<br>25                          | —<br>—                     | ns<br>ns                 |
| 7   | D | Slave access time                                 | $t_a$                | —                                | 1                          | $t_{cyc}$                |
| 8   | D | Slave MISO disable time                           | $t_{dis}$            | —                                | 1                          | $t_{cyc}$                |
| 9   | D | Data valid (after SPSCK edge)<br>Master<br>Slave  | $t_v$                | —<br>—                           | 25<br>25                   | ns<br>ns                 |
| 10  | D | Data hold time (outputs)<br>Master<br>Slave       | $t_{HO}$             | 0<br>0                           | —<br>—                     | ns<br>ns                 |
| 11  | D | Rise time<br>Input<br>Output                      | $t_{RI}$<br>$t_{RO}$ | —<br>—                           | $t_{cyc} - 25$<br>25       | ns<br>ns                 |
| 12  | D | Fall time<br>Input<br>Output                      | $t_{FI}$<br>$t_{FO}$ | —<br>—                           | $t_{cyc} - 25$<br>25       | ns<br>ns                 |



NOTES:

1.  $\overline{SS}$  output mode (DDS7 = 1, SSOE = 1).
2. LSBF = 0. For LSBF = 1, bit order is LSB, bit 1, ..., bit 6, MSB.

**Figure 14. SPI Master Timing (CPHA = 0)**

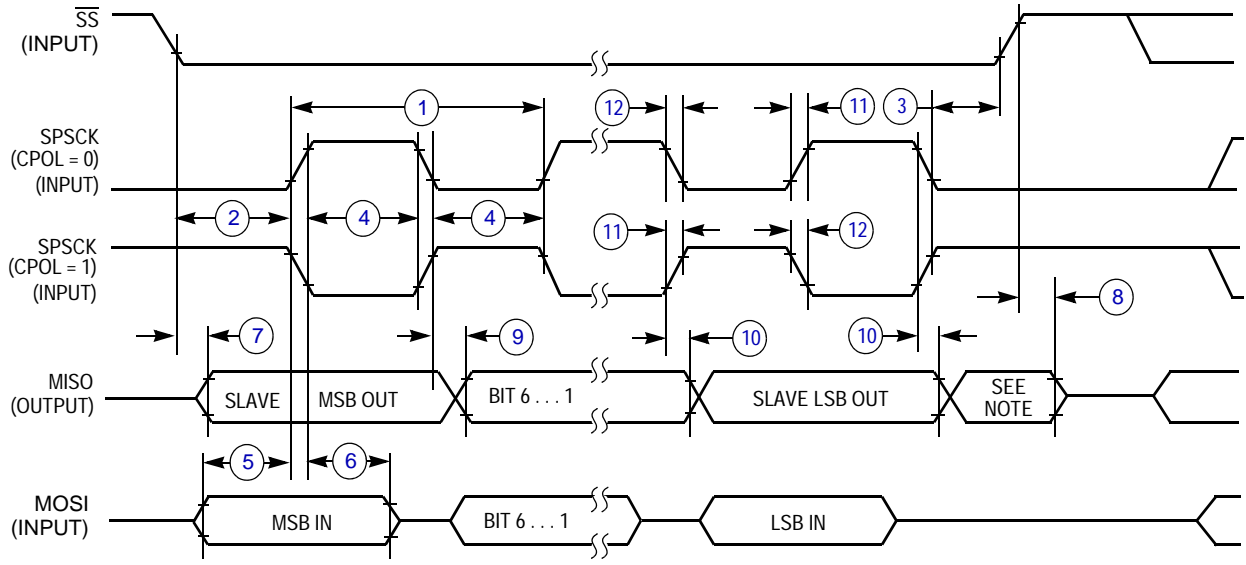


NOTES:

1.  $\overline{SS}$  output mode (DDS7 = 1, SSOE = 1).
2. LSBF = 0. For LSBF = 1, bit order is LSB, bit 1, ..., bit 6, MSB.

**Figure 15. SPI Master Timing (CPHA = 1)**





NOTE:

1. Not defined but normally MSB of character just received

**Figure 16. SPI Slave Timing (CPHA = 0)**



NOTE:

1. Not defined but normally LSB of character just received

**Figure 17. SPI Slave Timing (CPHA = 1)**

## 2.13 Flash Specifications

This section provides details about program/erase times and program-erase endurance for the Flash memory.

Program and erase operations do not require any special power sources other than the normal  $V_{DD}$  supply.

**Table 21. Flash Characteristics**

| Num | C | Characteristic   | Symbol           | Min         | Typ <sup>1</sup> | Max    | Unit       |
|-----|---|--|------------------|-------------|------------------|--------|------------|
| 1   |   | Supply voltage for program/erase   | $V_{prog/erase}$ | 2.7         |                  | 5.5    | V          |
| 2   |   | Supply voltage for read operation  | $V_{Read}$       | 2.7         |                  | 5.5    | V          |
| 3   |   | Internal FCLK frequency <sup>2</sup>   | $f_{FCLK}$       | 150         |                  | 200    | KHz        |
| 4   |   | Internal FCLK period (1/FCLK)  | $t_{Fcyd}$       | 5           |                  | 6.67   | $\mu$ s    |
| 5   |   | Byte program time (random location) <sup>(2)</sup>   | $t_{prog}$       | 9           |                  |        | $t_{Fcyd}$ |
| 6   |   | Byte program time (burst mode) <sup>(2)</sup>  | $t_{Burst}$      | 4           |                  |        | $t_{Fcyd}$ |
| 7   |   | Page erase time <sup>3</sup>   | $t_{Page}$       | 4000        |                  |        | $t_{Fcyd}$ |
| 8   |   | Mass erase time <sup>(2)</sup>   | $t_{Mass}$       | 20,000      |                  |        | $t_{Fcyd}$ |
| 9   | C | Program/erase endurance <sup>4</sup><br>$T_L$ to $T_H = -40^\circ\text{C}$ to $+105^\circ\text{C}$<br>$T = 25^\circ\text{C}$ |                  | 10,000<br>— | —<br>100,000     | —<br>— | cycles     |
| 10  |   | Data retention <sup>5</sup>  | $t_{D\_ret}$     | 15          | 100              | —      | years      |

<sup>1</sup> Typical values are based on characterization data at  $V_{DD} = 5.0$  V,  $25^\circ\text{C}$  unless otherwise stated.

<sup>2</sup> The frequency of this clock is controlled by a software setting.

<sup>3</sup> These values are hardware state machine controlled. User code does not need to count cycles. This information supplied for calculating approximate time to program and erase.

<sup>4</sup> Typical endurance for Flash was evaluated for this product family on the 9S12Dx64. For additional information on how Freescale Semiconductor defines typical endurance, please refer to Engineering Bulletin EB619/D, *Typical Endurance for Nonvolatile Memory*.

<sup>5</sup> Typical data retention values are based on intrinsic capability of the technology measured at high temperature and de-rated to  $25^\circ\text{C}$  using the Arrhenius equation. For additional information on how Freescale Semiconductor defines typical data retention, please refer to Engineering Bulletin EB618/D, *Typical Data Retention for Nonvolatile Memory*.

## 2.14 USB Electricals

The USB electricals for the USBOTG module conform to the standards documented by the Universal Serial Bus Implementers Forum. For the most up-to-date standards, visit <http://www.usb.org>.

If the Freescale USBOTG implementation requires additional or deviant electrical characteristics, this space would be used to communicate that information.

**Table 22. Internal USB 3.3V Voltage Regulator Characteristics**

|  | Symbol               | Unit | Min | Typ | Max |
|--|----------------------|------|-----|-----|-----|
| Regulator operating voltage              | $V_{\text{regin}}$   | V    | 3.9 | —   | 5.5 |
| Vreg output                              | $V_{\text{regout}}$  | V    | 3   | 3.3 | 3.6 |
| Vusb33 input with internal Vreg disabled | $V_{\text{usb33in}}$ | V    | 3   | 3.3 | 3.6 |
| VREG Quiescent Current                   | $I_{\text{VRQ}}$     | mA   | —   | 0.5 | —   |

## 2.15 EMC Performance

Electromagnetic compatibility (EMC) performance is highly dependant on the environment in which the MCU resides. Board design and layout, circuit topology choices, location and characteristics of external components as well as MCU software operation all play a significant role in EMC performance. The system designer should consult Freescale applications notes such as AN2321, AN1050, AN1263, AN2764, and AN1259 for advice and guidance specifically targeted at optimizing EMC performance.

### 2.15.1 Radiated Emissions

Microcontroller radiated RF emissions are measured from 150 kHz to 1 GHz using the TEM/GTEM Cell method in accordance with the IEC 61967-2 and SAE J1752/3 standards. The measurement is performed with the microcontroller installed on a custom EMC evaluation board while running specialized EMC test software. The radiated emissions from the microcontroller are measured in a TEM cell in two package orientations (North and East). For more detailed information concerning the evaluation results, conditions and setup, please refer to the EMC Evaluation Report for this device.

# 3 Mechanical Outline Drawings

## 3.1 80-pin LQFP



Figure 18. 80-pin LQFP Diagram - I



Figure 19. 80-pin LQFP Diagram - II

|   |   |                          |                  |
|---|---|--------------------------|------------------|
| <p>© FREESCALE SEMICONDUCTOR, INC. ALL RIGHTS RESERVED.<br/>ELECTRONIC VERSIONS ARE UNCONTROLLED EXCEPT WHEN ACCESSED<br/>DIRECTLY FROM THE DOCUMENT CONTROL REPOSITORY. PRINTED<br/>VERSIONS ARE UNCONTROLLED EXCEPT WHEN STAMPED "CONTROLLED<br/>COPY" IN RED.</p>  | <b>MECHANICAL OUTLINES<br/>DICTIONARY</b> | DOCUMENT NO: 98ARL10530D |                  |
|   |   | PAGE:                    | 1418             |
| DO NOT SCALE THIS DRAWING   |   | REV:                     | C                |
| <p>NOTES:</p> <ol style="list-style-type: none"> <li>1. DIMENSIONS ARE IN MILLIMETERS.</li> <li>2. DIMENSIONING AND TOLERANCING PER ASME Y14.5M-1994.</li> <li>3. DATUMS A, B AND D TO BE DETERMINED AT DATUM PLANE H.</li> <li>4. DIMENSIONS TO BE DETERMINED AT SEATING PLANE C.</li> <li>5. THIS DIMENSION DOES NOT INCLUDE DAMBAR PROTRUSION. ALLOWABLE DAMBAR PROTRUSION SHALL NOT CAUSE THE LEAD WIDTH TO EXCEED THE UPPER LIMIT BY MORE THAN 0.08 mm AT MAXIMUM MATERIAL CONDITION. DAMBAR CANNOT BE LOCATED ON THE LOWER RADIUS OR THE FOOT. MINIMUM SPACE BETWEEN PROTRUSION AND ADJACENT LEAD SHALL NOT BE LESS THAN 0.07 mm.</li> <li>6. THIS DIMENSION DOES NOT INCLUDE MOLD PROTRUSION. ALLOWABLE PROTRUSION IS 0.25 mm PER SIDE. THIS DIMENSION IS MAXIMUM PLASTIC BODY SIZE DIMENSION INCLUDING MOLD MISMATCH.</li> <li>7. EXACT SHAPE OF EACH CORNER IS OPTIONAL.</li> <li>8. THESE DIMENSIONS APPLY TO THE FLAT SECTION OF THE LEAD BETWEEN 0.1 mm AND 0.25 mm FROM THE LEAD TIP.</li> </ol> |   |                          |                  |
| <p>TITLE:           80LD LQFP,<br/>                  14 X 14 X 1.4 PKG,<br/>                  0.65 PITCH, CASE OUTLINE</p>  |   | CASE NUMBER: 1418-01     |                  |
|   |   | STANDARD: NON-JEDEC      |                  |
|   |   | PACKAGE CODE: 8245       | SHEET:    3 OF 4 |

**Figure 20. 80-pin LQFP Diagram - III**

### 3.2 64-pin LQFP



Figure 21. 64-pin LQFP Diagram - I



Figure 22. 64-pin LQFP Diagram - II



|   |   |                            |          |
|---|---|----------------------------|----------|
| <p>© FREESCALE SEMICONDUCTOR, INC. ALL RIGHTS RESERVED.<br/>ELECTRONIC VERSIONS ARE UNCONTROLLED EXCEPT WHEN ACCESSED DIRECTLY FROM THE DOCUMENT CONTROL REPOSITORY. PRINTED VERSIONS ARE UNCONTROLLED EXCEPT WHEN STAMPED "CONTROLLED COPY" IN RED.</p>  | <b>MECHANICAL OUTLINES<br/>DICTIONARY</b> | DOCUMENT NO: 98ASS23234W   |          |
|   | <b>DO NOT SCALE THIS DRAWING</b>          | PAGE:                      | 840F     |
|   |   | REV:                       | E        |
| <p>NOTES:</p> <ol style="list-style-type: none"> <li>1. DIMENSIONS ARE IN MILLIMETERS.</li> <li>2. DIMENSIONING AND TOLERANCING PER ASME Y14.5M-1994.</li> <li>3. DATUMS A, B AND D TO BE DETERMINED AT DATUM PLANE H.</li> <li>4. DIMENSIONS TO BE DETERMINED AT SEATING PLANE C.</li> <li>5. THIS DIMENSION DOES NOT INCLUDE DAMBAR PROTRUSION. ALLOWABLE DAMBAR PROTRUSION SHALL NOT CAUSE THE LEAD WIDTH TO EXCEED THE UPPER LIMIT BY MORE THAN 0.08 mm AT MAXIMUM MATERIAL CONDITION. DAMBAR CANNOT BE LOCATED ON THE LOWER RADIUS OR THE FOOT. MINIMUM SPACE BETWEEN PROTRUSION AND ADJACENT LEAD SHALL NOT BE LESS THAN 0.07 mm.</li> <li>6. THIS DIMENSION DOES NOT INCLUDE MOLD PROTRUSION. ALLOWABLE PROTRUSION IS 0.25 mm PER SIDE. THIS DIMENSION IS MAXIMUM PLASTIC BODY SIZE DIMENSION INCLUDING MOLD MISMATCH.</li> <li>7. EXACT SHAPE OF EACH CORNER IS OPTIONAL.</li> <li>8. THESE DIMENSIONS APPLY TO THE FLAT SECTION OF THE LEAD BETWEEN 0.1 mm AND 0.25 mm FROM THE LEAD TIP.</li> </ol> |   |                            |          |
| TITLE: 64LD LQFP,<br>10 X 10 X 1.4 PKG,<br>0.5 PITCH, CASE OUTLINE  |   | CASE NUMBER: 840F-02       |          |
|   |   | STANDARD: JEDEC MS-026 BCD |          |
|   |   | PACKAGE CODE: 8426         | SHEET: 3 |

**Figure 23. 64-pin LQFP Diagram - III**

### 3.3 64-pin QFP



Figure 24. 64-pin QFP Diagram - I



Figure 25. 64-pin QFP Diagram - II

|   |                                   |                          |
|---|-----------------------------------|--------------------------|
| <p>© FREESCALE SEMICONDUCTOR, INC. ALL RIGHTS RESERVED. ELECTRONIC VERSIONS ARE UNCONTROLLED EXCEPT WHEN ACCESSED DIRECTLY FROM THE DOCUMENT CONTROL REPOSITORY. PRINTED VERSIONS ARE UNCONTROLLED EXCEPT WHEN STAMPED "CONTROLLED COPY" IN RED.</p>  | MECHANICAL OUTLINES<br>DICTIONARY | DOCUMENT NO: 98ASB42844B |
|   | DO NOT SCALE THIS DRAWING         | PAGE: 840B<br>REV: B     |
| <p>NOTES:</p> <ol style="list-style-type: none"> <li>DIMENSIONING AND TOLERANCING PER ASME Y14.5M, 1994.</li> <li>CONTROLLING DIMENSION: MILLIMETER.</li> <li>DATUM PLANE -H- IS LOCATED AT BOTTOM OF LEAD AND IS COINCIDENT WITH THE LEAD WHERE THE LEAD EXITS THE PLASTIC BODY AT THE BOTTOM OF THE PARTING LINE.</li> <li>DATUMS A-B AND -D- TO BE DETERMINED AT DATUM PLANE -H-.</li> </ol> <p>⑤ DIMENSIONS TO BE DETERMINED AT SEATING PLANE -C-.</p> <p>⑥ DIMENSIONS DO NOT INCLUDE MOLD PROTRUSION. ALLOWABLE PROTRUSION IS 0.25mm PER SIDE. DIMENSIONS DO INCLUDE MOLD MISMATCH AND ARE DETERMINED AT DATUM PLANE -H-.</p> <p>⑦ DIMENSION DOES NOT INCLUDE DAMBAR PROTRUSION. ALLOWABLE DAMBAR PROTRUSION SHALL BE 0.08mm TOTAL IN EXCESS OF THE DIMENSION AT MAXIMUM MATERIAL CONDITION. DAMBAR CANNOT BE LOCATED ON THE LOWER RADIUS OR THE FOOT.</p> |                                   |                          |
| TITLE:<br>64LD QFP (14 X 14)  | CASE NUMBER: 840B-01              |                          |
|   | STANDARD: NON-JEDEC               |                          |
|   | PACKAGE CODE: 6057                | SHEET: 3 OF 4            |

Figure 26. 64-pin QFP Diagram - III

### 3.4 44-pin LQFP



Figure 27. 44-pin LQFP Diagram - I



Figure 28. 44-pin LQFP Diagram - II

|  |                                   |                            |
|--|-----------------------------------|----------------------------|
| <p>© FREESCALE SEMICONDUCTOR, INC. ALL RIGHTS RESERVED.<br/>ELECTRONIC VERSIONS ARE UNCONTROLLED EXCEPT WHEN ACCESSED DIRECTLY FROM THE DOCUMENT CONTROL REPOSITORY. PRINTED VERSIONS ARE UNCONTROLLED EXCEPT WHEN STAMPED "CONTROLLED COPY" IN RED.</p>   | MECHANICAL OUTLINES<br>DICTIONARY | DOCUMENT NO: 98ASS23225W   |
|  | DO NOT SCALE THIS DRAWING         | PAGE: 824D<br>REV: D       |
| <p>NOTES:</p> <ol style="list-style-type: none"> <li>DIMENSIONS AND TOLERANCING PER ASME Y14.5M-1994.</li> <li>CONTROLLING DIMENSION: MILLIMETER</li> <li>DATUM PLANE H IS LOCATED AT BOTTOM OF LEAD AND IS COINCIDENT WITH THE LEAD WHERE THE LEAD EXITS THE PLASTIC BODY AT THE BOTTOM OF THE PARTING LINE.</li> <li>DATUMS L, M AND N TO BE DETERMINED AT DATUM PLANE H.</li> <li> DIMENSIONS TO BE DETERMINED AT SEATING PLANE T.</li> <li> DIMENSIONS DO NOT INCLUDE MOLD PROTRUSION. ALLOWABLE PROTRUSION IS 0.25 PER SIDE. DIMENSIONS DO INCLUDE MOLD MISMATCH AND ARE DETERMINED AT DATUM PLANE H.</li> <li> DIMENSION DOES NOT INCLUDE DAMBAR PROTRUSION. DAMBAR PROTRUSION SHALL NOT CAUSE THE DIMENSION TO EXCEED 0.53. MINIMUM SPACE BETWEEN PROTRUSION AND ADJACENT LEAD OR PROTRUSION 0.07.</li> </ol> |                                   |                            |
| TITLE:<br>44 LD LQFP,<br>10 X 10 PKG, 0.8 PITCH, 1.4 THICK   | CASE NUMBER: 824D-02              | STANDARD: JEDEC MS-026 BCB |
|  | PACKAGE CODE: 8256                | SHEET: 3 OF 4              |

Figure 29. 44-pin LQFP Diagram - III

## 4 Revision History

This section lists major changes between versions of the MCF51JM128 Data Sheet document.

**Table 23. Changes Between Revisions**

| Revision | Description   |
|----------|---|
| 1        | <p>Updated features list</p> <p>Updated the figures Typical Low-side Drive (sink) characteristics – High Drive (PTxDSn = 1), Typical Low-side Drive (sink) characteristics – Low Drive (PTxDSn = 0), and Typical High-side Drive (source) characteristics – High Drive (PTxDSn = 1)</p> <p>Added the figure Typical High-side Drive (source) characteristics – Low Drive (PTxDSn = 0)</p> <p>Updated the table Supply Current Characteristics</p> <p>Updated the table Oscillator Electrical Specifications (Temperature Range = –40 to 105°C Ambient)</p> <p>Updated the table SPI Electrical Characteristic, DC Characteristics</p> |
| 2        | <p>Updated the table Orderable Part Number Summary, DC Characteristics, and Supply Current Characteristics</p>  |
| 3        | <p>Updated the table Orderable Part Number Summary, MCG Characteristics, SPI Characteristics, and Supply Current Characteristics</p> <p>Changed <math>V_{DDAD}</math> to <math>V_{DDA}</math>, <math>V_{SSAD}</math> to <math>V_{SSA}</math></p> <p>Updated the table Device comparison</p>   |
| 4        | <p>Added “RAM retention voltage” parameter in “DC Characteristics” table, alongwith a table note.</p> <p>Added “Temp sensor voltage” parameter in “5 Volt 12-bit ADC Characteristics (<math>V_{REFH} = V_{DDA}</math>, <math>V_{REFL} = V_{SSA}</math>)” table.</p> <p>Added “Temp sensor slope” parameter in 5 Volt 12-bit ADC Characteristics (<math>V_{REFH} = V_{DDA}</math>, <math>V_{REFL} = V_{SSA}</math>) table. Also, corrected unit of “Temp sensor voltage” parameter in 5 Volt 12-bit ADC Characteristics (<math>V_{REFH} = V_{DDA}</math>, <math>V_{REFL} = V_{SSA}</math>) table.</p>                                  |



## **How to Reach Us:**

### **Home Page:**

[www.freescale.com](http://www.freescale.com)

### **Web Support:**

<http://www.freescale.com/support>

### **USA/Europe or Locations Not Listed:**

Freescale Semiconductor, Inc.  
Technical Information Center, EL516  
2100 East Elliot Road  
Tempe, Arizona 85284  
1-800-521-6274 or +1-480-768-2130  
[www.freescale.com/support](http://www.freescale.com/support)

Europe, Middle East, and Africa:  
Freescale Halbleiter Deutschland GmbH  
Technical Information Center  
Schatzbogen 7  
81829 Muenchen, Germany  
+44 1296 380 456 (English)  
+46 8 52200080 (English)  
+49 89 92103 559 (German)  
+33 1 69 35 48 48 (French)  
[www.freescale.com/support](http://www.freescale.com/support)

### **Japan:**

Freescale Semiconductor Japan Ltd. Headquarters  
ARCO Tower 15F  
1-8-1, Shimo-Meguro, Meguro-ku,  
Tokyo 153-0064  
Japan  
0120 191014 or +81 3 5437 9125  
[support.japan@freescale.com](mailto:support.japan@freescale.com)

### **Asia/Pacific:**

Freescale Semiconductor China Ltd.  
Exchange Building 23F  
No. 118 Jianguo Road  
Chaoyang District  
Beijing 100022  
China  
+86 10 5879 8000  
[support.asia@freescale.com](mailto:support.asia@freescale.com)

Freescale Semiconductor Literature Distribution Center  
1-800-441-2447 or +1-303-675-2140  
Fax: +1-303-675-2150  
[LDCForFreescaleSemiconductor@hibbertgroup.com](mailto:LDCForFreescaleSemiconductor@hibbertgroup.com)

Information in this document is provided solely to enable system and software implementers to use Freescale Semiconductor products. There are no express or implied copyright licenses granted hereunder to design or fabricate any integrated circuits or integrated circuits based on the information in this document.

Freescale Semiconductor reserves the right to make changes without further notice to any products herein. Freescale Semiconductor makes no warranty, representation or guarantee regarding the suitability of its products for any particular purpose, nor does Freescale Semiconductor assume any liability arising out of the application or use of any product or circuit, and specifically disclaims any and all liability, including without limitation consequential or incidental damages. "Typical" parameters that may be provided in Freescale Semiconductor data sheets and/or specifications can and do vary in different applications and actual performance may vary over time. All operating parameters, including "Typicals", must be validated for each customer application by customer's technical experts. Freescale Semiconductor does not convey any license under its patent rights nor the rights of others. Freescale Semiconductor products are not designed, intended, or authorized for use as components in systems intended for surgical implant into the body, or other applications intended to support or sustain life, or for any other application in which the failure of the Freescale Semiconductor product could create a situation where personal injury or death may occur. Should Buyer purchase or use Freescale Semiconductor products for any such unintended or unauthorized application, Buyer shall indemnify and hold Freescale Semiconductor and its officers, employees, subsidiaries, affiliates, and distributors harmless against all claims, costs, damages, and expenses, and reasonable attorney fees arising out of, directly or indirectly, any claim of personal injury or death associated with such unintended or unauthorized use, even if such claim alleges that Freescale Semiconductor was negligent regarding the design or manufacture of the part.

Freescale™ and the Freescale logo are trademarks of Freescale Semiconductor, Inc. The described product contains a PowerPC processor core. The PowerPC name is a trademark of IBM Corp. and used under license. All other product or service names are the property of their respective owners.  
© Freescale Semiconductor, Inc. 2008, 2009, 2010, 2011. All rights reserved.

MCF51JM128  
Rev. 4  
05/2012

Компания «Life Electronics» занимается поставками электронных компонентов импортного и отечественного производства от производителей и со складов крупных дистрибьюторов Европы, Америки и Азии.

С конца 2013 года компания активно расширяет линейку поставок компонентов по направлению коаксиальный кабель, кварцевые генераторы и конденсаторы (керамические, пленочные, электролитические), за счёт заключения дистрибьюторских договоров

Мы предлагаем:

- Конкурентоспособные цены и скидки постоянным клиентам.
- Специальные условия для постоянных клиентов.
- Подбор аналогов.
- Поставку компонентов в любых объемах, удовлетворяющих вашим потребностям.
- Приемлемые сроки поставки, возможна ускоренная поставка.
- Доставку товара в любую точку России и стран СНГ.
- Комплексную поставку.
- Работу по проектам и поставку образцов.
- Формирование склада под заказчика.
- Сертификаты соответствия на поставляемую продукцию (по желанию клиента).
- Тестирование поставляемой продукции.
- Поставку компонентов, требующих военную и космическую приемку.
- Входной контроль качества.
- Наличие сертификата ISO.

В составе нашей компании организован Конструкторский отдел, призванный помогать разработчикам, и инженерам.

Конструкторский отдел помогает осуществить:

- Регистрацию проекта у производителя компонентов.
- Техническую поддержку проекта.
- Защиту от снятия компонента с производства.
- Оценку стоимости проекта по компонентам.
- Изготовление тестовой платы монтаж и пусконаладочные работы.



Тел: +7 (812) 336 43 04 (многоканальный)

Email: [org@lifeelectronics.ru](mailto:org@lifeelectronics.ru)