

4

3

2

1

THIS DRAWING IS UNPUBLISHED. RELEASED FOR PUBLICATION  
 © COPYRIGHT 2011 BY TYCO ELECTRONICS CORPORATION. ALL RIGHTS RESERVED.

LOC	DIST	REVISIONS			
P	LTR	DESCRIPTION	DATE	DWN	APVD
DW		REV PER ECO-14-017393	04AUG2014	L.L.	S.H.

D

C

B

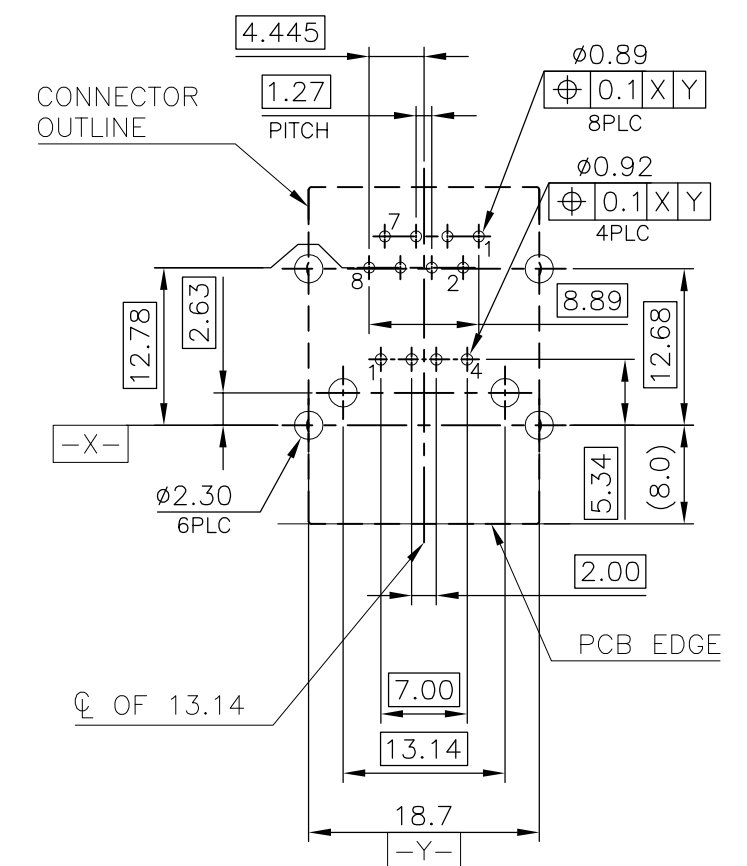
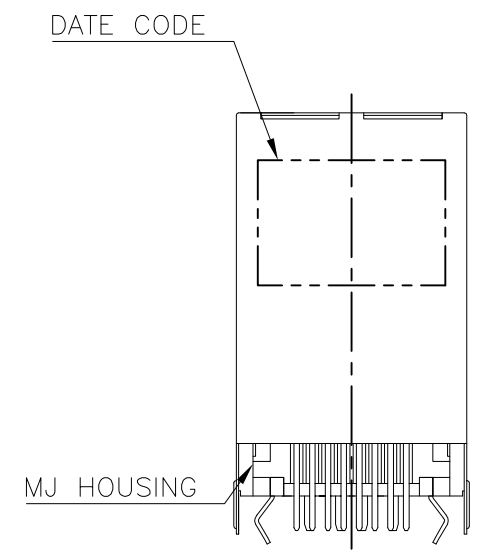
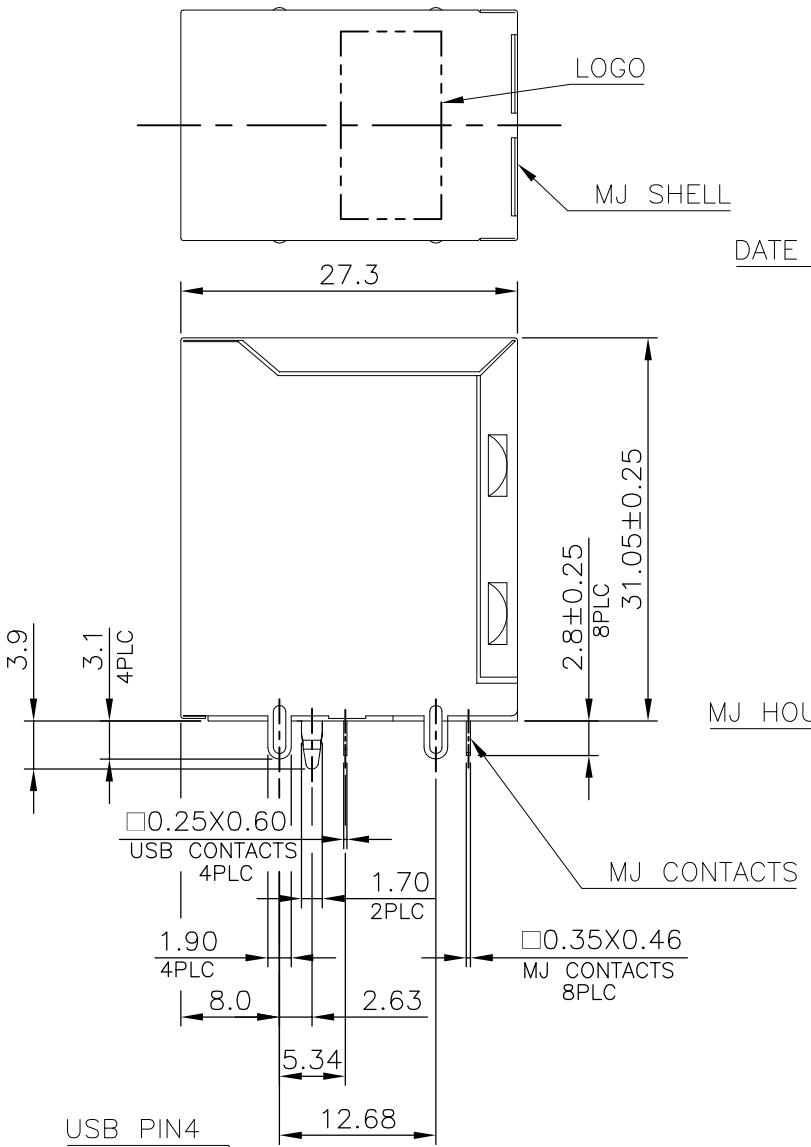
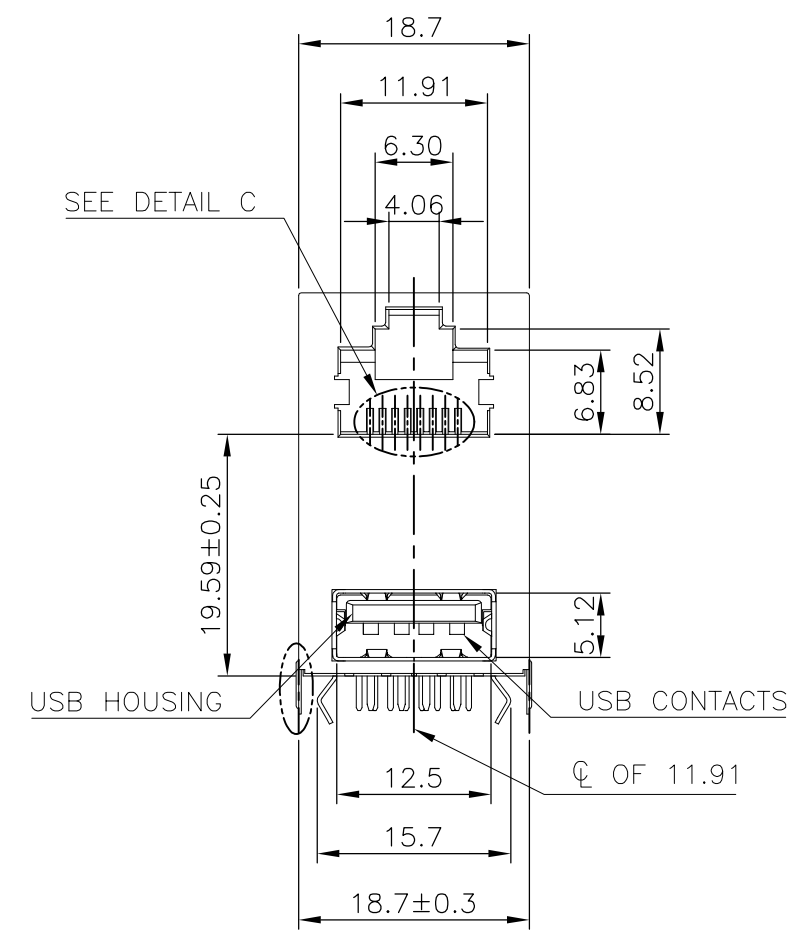
A

D

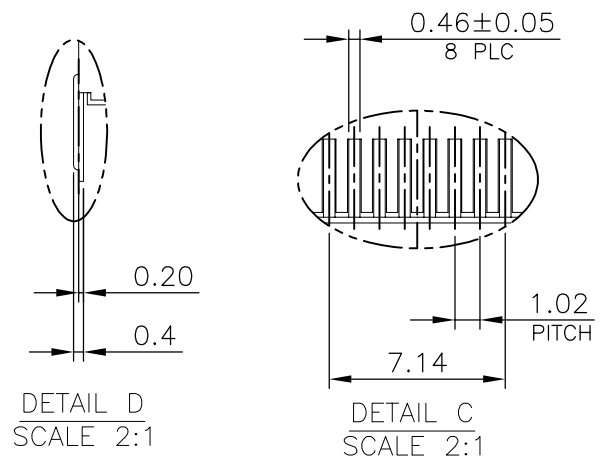
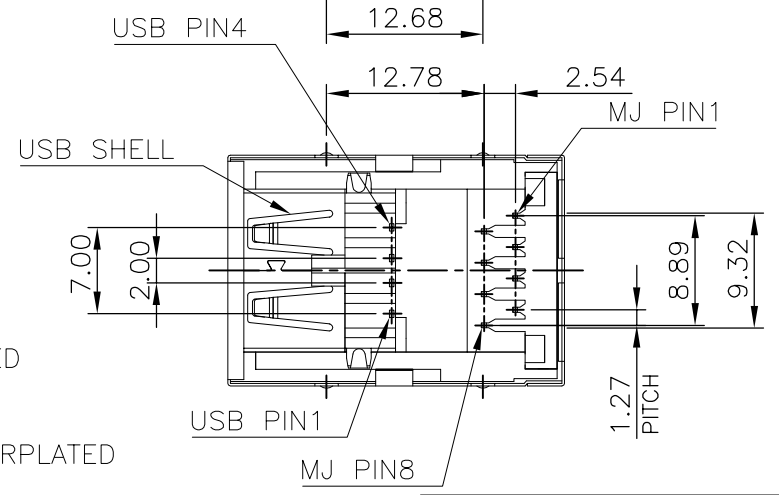
C

B

A



RECOMMENDED PCB LAYOUT  
 RECOMMENDED PCB THICKNESS: 1.6mm.  
 TOLERANCE: ±0.05 (TOP VIEW)



- NOTE:
- MATERIAL:
    - MJ HOUSING: PBT, WITH 30% GF, UL 94V-0, BLACK COLOR.
    - MJ CONTACTS: PHOSPHOR BRONZE.
    - MJ SHELL: BRASS.
    - USB HOUSING: PBT, WITH 30% GF, UL94V-0, BLACK COLOR.
    - USB CONTACTS: BRASS.
    - USB SHELL: SPCC.
  - FINISH:
    - MJ CONTACTS: 0.762um [30u"] MIN. GOLD PLATED ON CONTACT AREA, GOLD FLASH ON SOLDER TAIL, 1.27um [50u"] MIN. NICKEL UNDERPLATED OVERALL.
    - MJ SHELL: 0.508um [20u"] MIN. NICKEL PLATED.
    - USB CONTACTS: 0.762um [30u"] MIN. GOLD PLATED ON CONTACT AREA, 2.54um [100u"] MIN. BRIGHT TIN PLATED ON SOLDER TAIL, 1.27um [50u"] MIN. NICKEL UNDERPLATED OVERALL.
    - USB SHELL: 2.032um [80u"] MIN. NICKEL PLATED.
  - WAVE SOLDER CAPABLE TO 265°C PER TE SPE 109-202, CONDITION B.

THIS DRAWING IS A CONTROLLED DOCUMENT.		DWN B. HSING 08JUN2008	TE Connectivity	
		CHK S. CHIEN 08JUN2008		
		APVD W. KODAMA 08JUN2008	NAME	
DIMENSIONS: mm		PRODUCT SPEC 108-57900	MODULAR JACK CONNECTOR OVER USB CONNECTOR STACKED, DIP TYPE	
TOLERANCES UNLESS OTHERWISE SPECIFIED:		APPLICATION SPEC	RESTRICTED TO	
0 PLC ± - 1 PLC ± 0.3 2 PLC ± 0.2 3 PLC ± 0.15 4 PLC ± - ANGLES ± 3°		WEIGHT 14.19 GRAMS	SIZE A3	CAGE CODE 00779
MATERIAL SEE NOTE		CUSTOMER DRAWING	DRAWING NO C-1909119	REV C
		SCALE -	SHEET 1 OF 6	

4

3

2

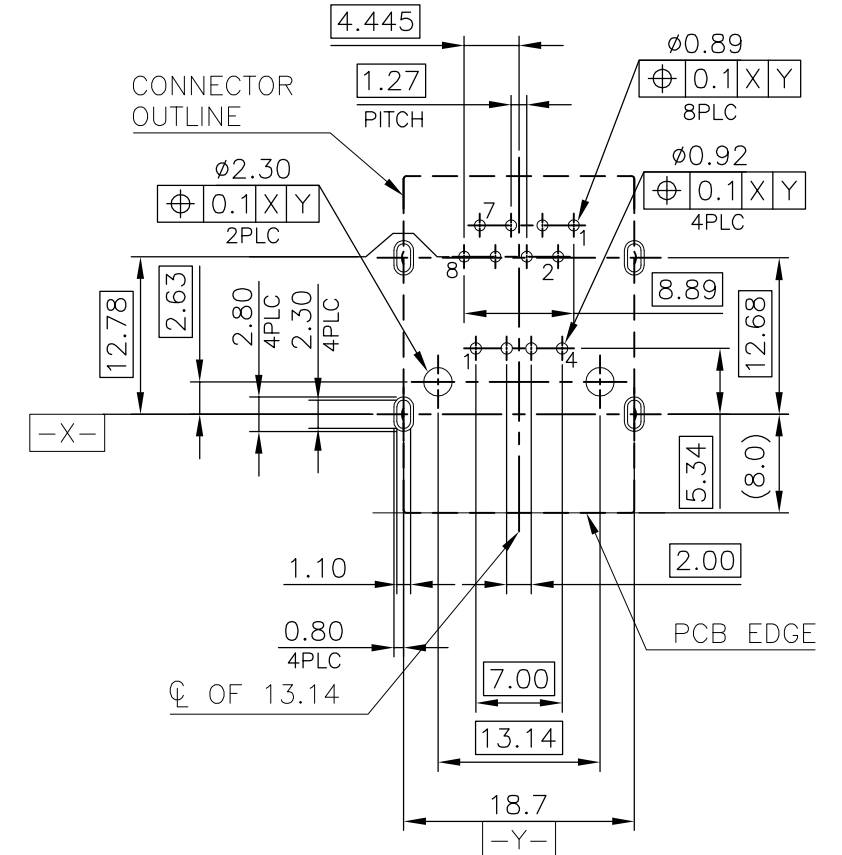
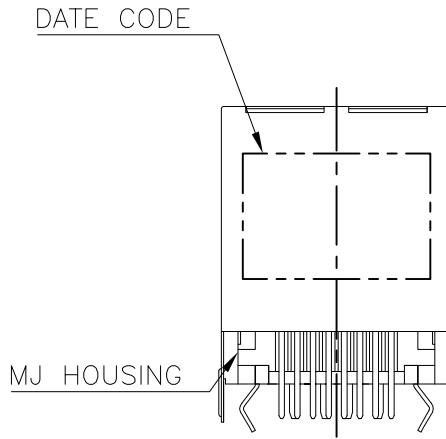
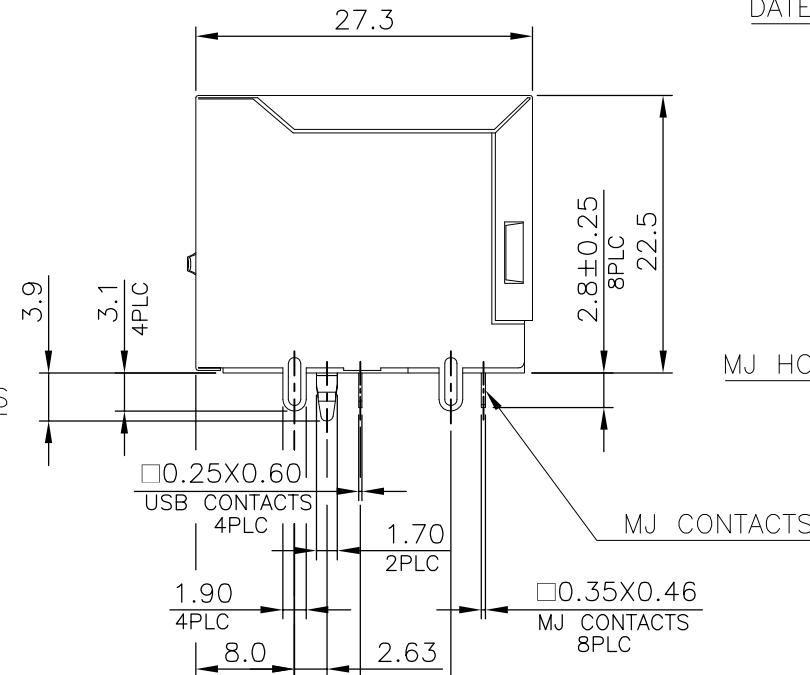
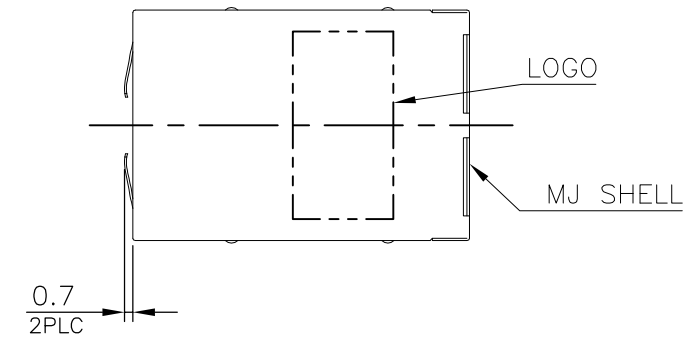
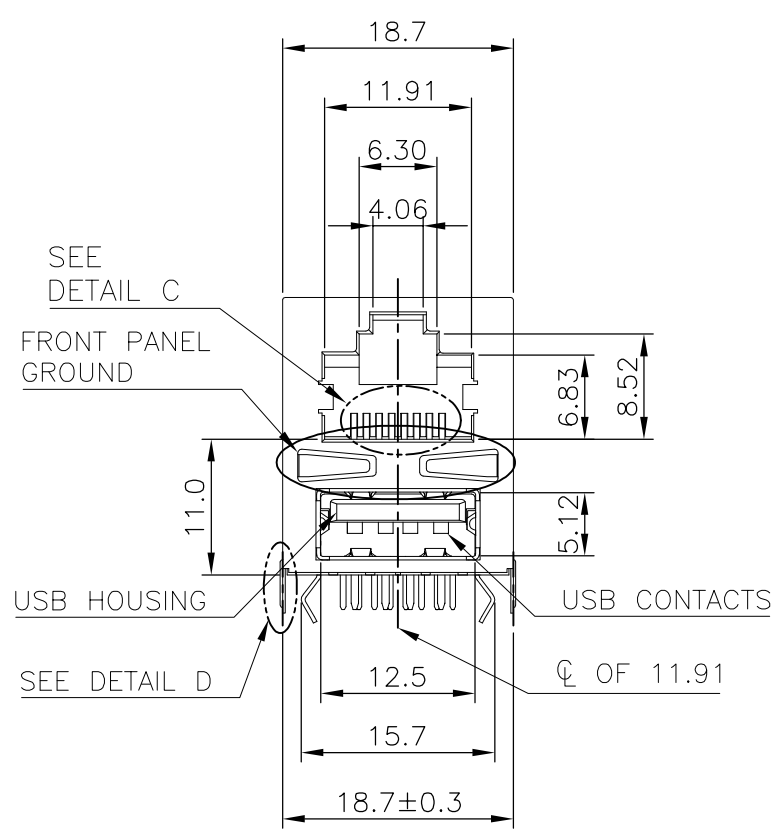
1

THIS DRAWING IS UNPUBLISHED. RELEASED FOR PUBLICATION  
 © COPYRIGHT 2011 BY TYCO ELECTRONICS CORPORATION. ALL RIGHTS RESERVED.

LOC	DIST	REVISIONS			
P	LTR	DESCRIPTION	DATE	DWN	APVD
DW		SEE SHEET 1.			

D

D



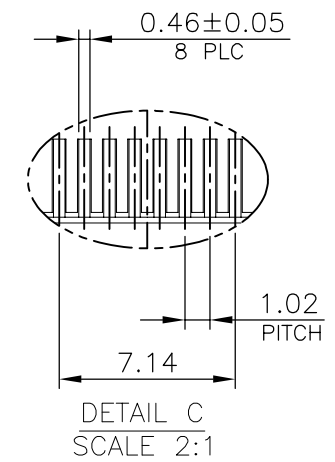
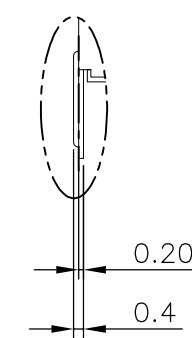
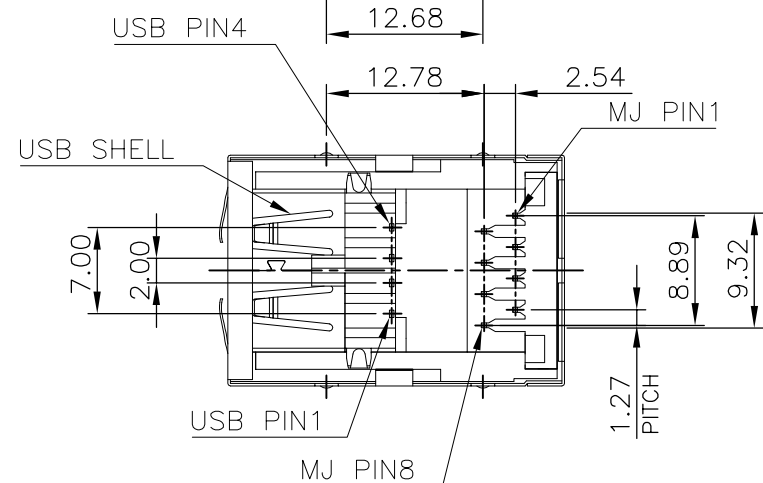
RECOMMENDED PCB LAYOUT  
 RECOMMENDED PCB THICKNESS: 1.6mm.  
 TOLERANCE: ±0.05 (TOP VIEW)

C

C

B

B



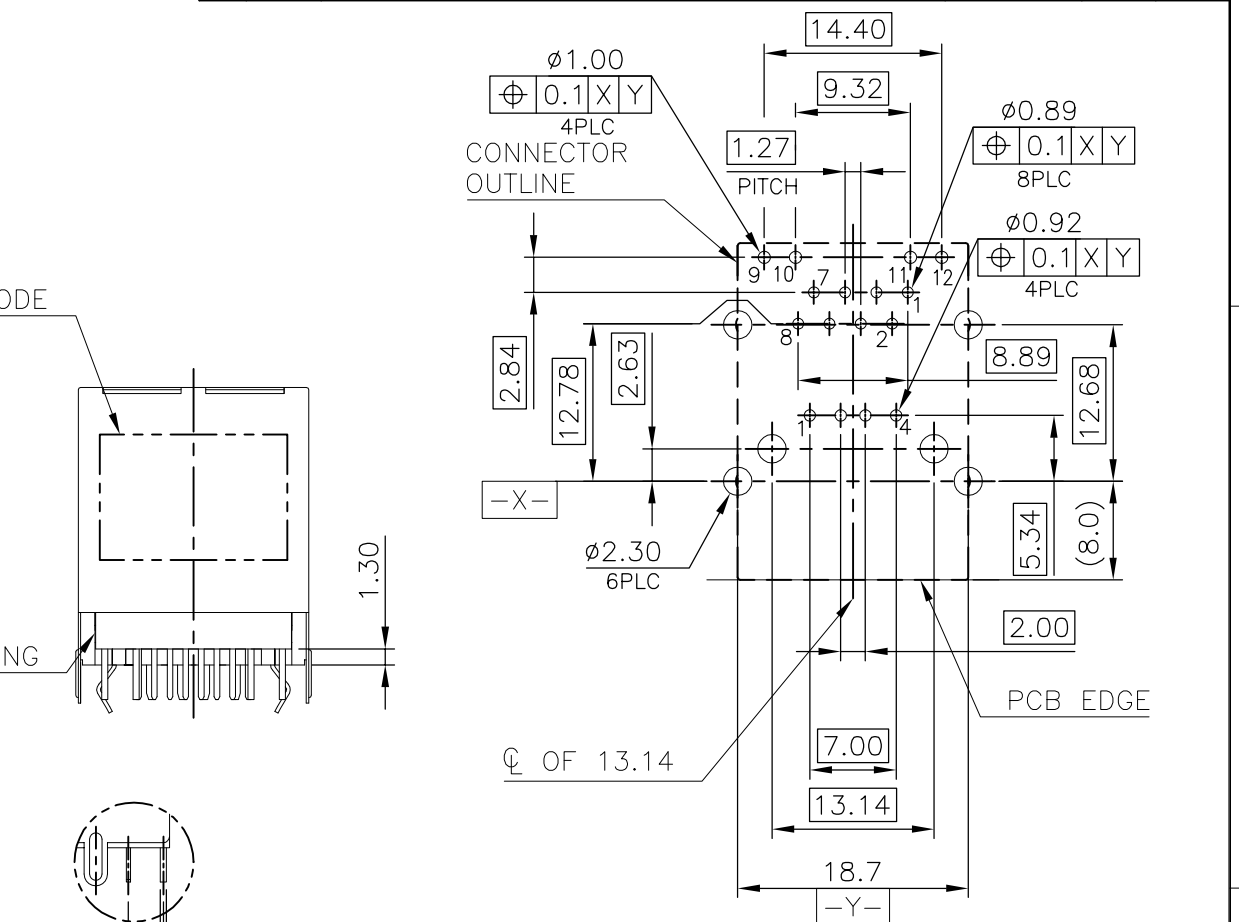
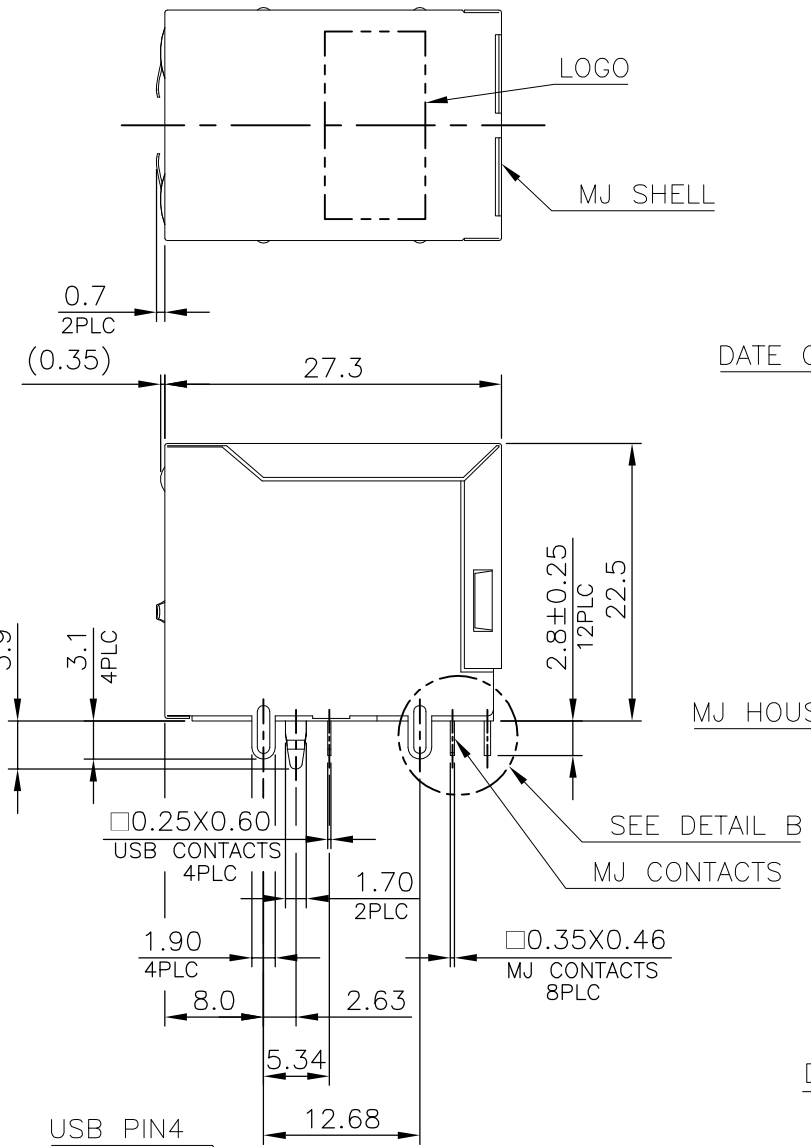
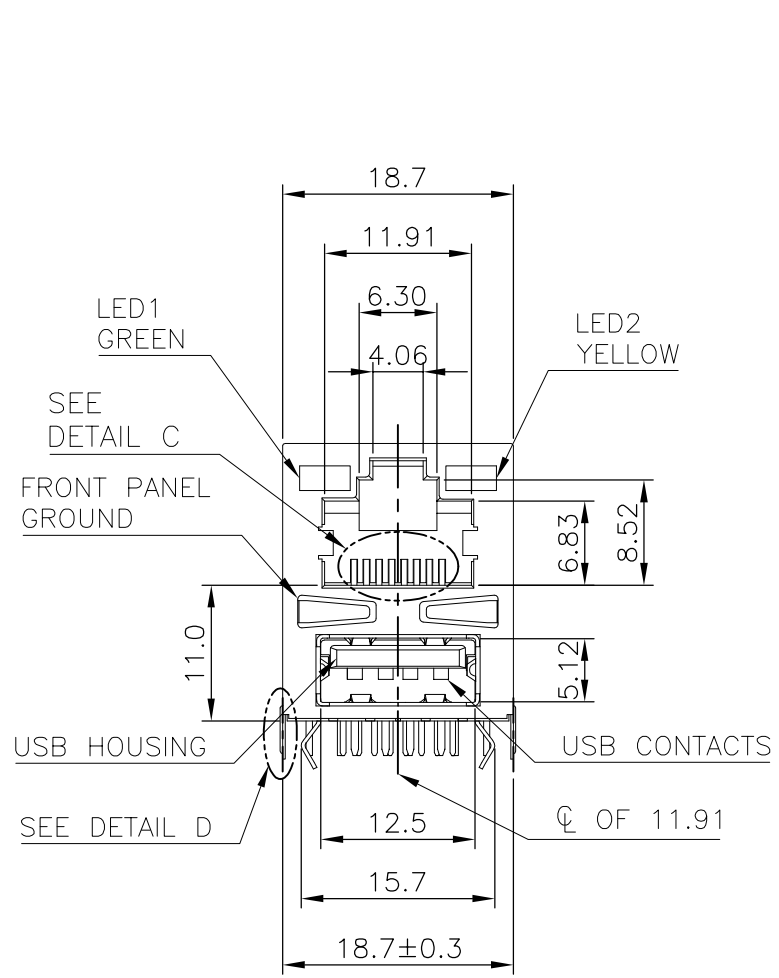
1909119-4  
 PART NUMBER

A

A

THIS DRAWING IS A CONTROLLED DOCUMENT.		DWN	TE Connectivity			
DIMENSIONS: mm		CHK				
TOLERANCES UNLESS OTHERWISE SPECIFIED:		APVD	NAME			
0 PLC ± - 1 PLC ± 0.3 2 PLC ± 0.2 3 PLC ± 0.15 4 PLC ± - ANGLES ± 3°		PRODUCT SPEC	MODULAR JACK CONNECTOR OVER USB CONNECTOR STACKED, DIP TYPE			
MATERIAL SEE NOTE		APPLICATION SPEC	SIZE	CAGE CODE	DRAWING NO	RESTRICTED TO
FINISH SEE NOTE		WEIGHT 12.09 GRAMS	A3	00779	C=1909119	
		CUSTOMER DRAWING	SCALE	SHEET 2 OF 6	REV C	

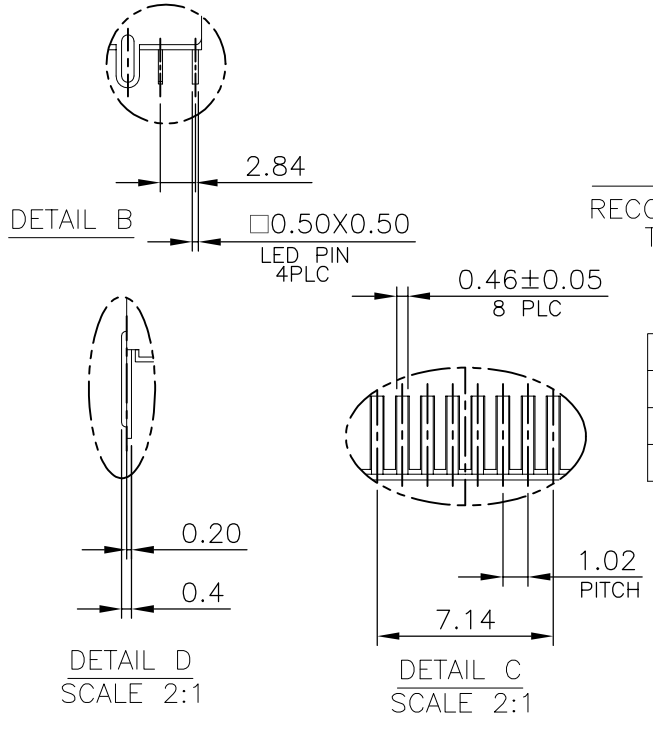
LOC	DIST	REVISIONS			
P	LTR	DESCRIPTION	DATE	DWN	APVD
DW		SEE SHEET 1.			



- NOTE:
- MATERIAL:
    - MJ HOUSING & LED COVER: PBT, WITH 30% GF, UL 94V-0, BLACK COLOR.
    - MJ CONTACTS: PHOSPHOR BRONZE.
    - MJ SHELL: BRASS.
    - LED SOLDER TAIL: EPOXY, STEEL.
    - USB HOUSING: PBT, WITH 30% GF, UL94V-0, BLACK COLOR.
    - USB CONTACTS: BRASS.
    - USB SHELL: SPCC.
  - FINISH:
    - MJ CONTACTS: GOLD FLASH PLATED ON CONTACT AREA, GOLD FLASH ON SOLDER TAIL, 1.27µm [50u"] MIN. NICKEL UNDERPLATED OVERALL.
    - MJ SHELL: 0.508µm [20u"] MIN. NICKEL PLATED.
    - LED SOLDER TAIL: 1.02µm [40u"] COPPER UNDERPLATED OVERALL. 1.27µm [50u"] NICKEL OVERALL. 1.27µm [50u"] SILVER ON BONDING AREA. 2.54µm [100u"] BRIGHT-TIN ON SOLDER AREA.
    - USB CONTACTS: 0.762µm [30u"] MIN. GOLD PLATED ON CONTACT AREA, 2.54µm [100u"] MIN. BRIGHT TIN PLATED ON SOLDER TAIL, 1.27µm [50u"] MIN. NICKEL UNDERPLATED OVERALL.
    - USB SHELL: 2.032µm [80u"] MIN. NICKEL PLATED.
  - WAVE SOLDER CAPABLE TO 265°C PER TE SPE 109-202, CONDITION B.

RECOMMENDED PCB LAYOUT  
 RECOMMENDED PCB THICKNESS: 1.6mm.  
 TOLERANCE: ±0.05 (TOP VIEW)

LED ELECTRICAL CHARACTERISTIC				
NO.	NODE	COLOR		
LED1	9(+)	GREEN	9	10
LED2	11(+)	YELLOW	11	12



1-1909119-4  
 PART NUMBER

THIS DRAWING IS A CONTROLLED DOCUMENT.

DIMENSIONS: mm	TOLERANCES UNLESS OTHERWISE SPECIFIED: 0 PLC ± - 1 PLC ± 0.3 2 PLC ± 0.2 3 PLC ± 0.15 4 PLC ± - ANGLES ± 3'	DWN	TE Connectivity NAME MODULAR JACK CONNECTOR OVER USB CONNECTOR STACKED, DIP TYPE
		CHK	
		APVD	
		PRODUCT SPEC	
		APPLICATION SPEC	SIZE
MATERIAL SEE NOTE	FINISH SEE NOTE	WEIGHT 13.06 GRAMS	CAGE CODE A300779
		CUSTOMER DRAWING	DRAWING NO C-1909119
			RESTRICTED TO
		SCALE	SHEET 3 OF 6
			REV C



4

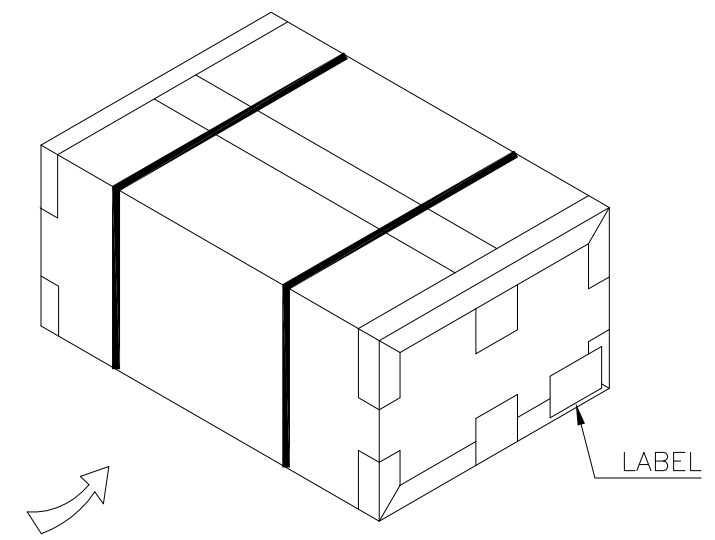
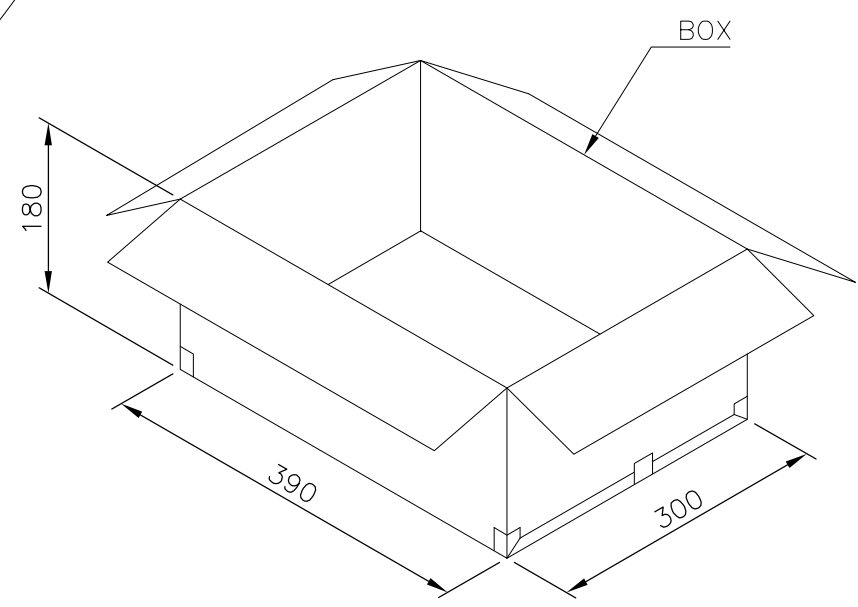
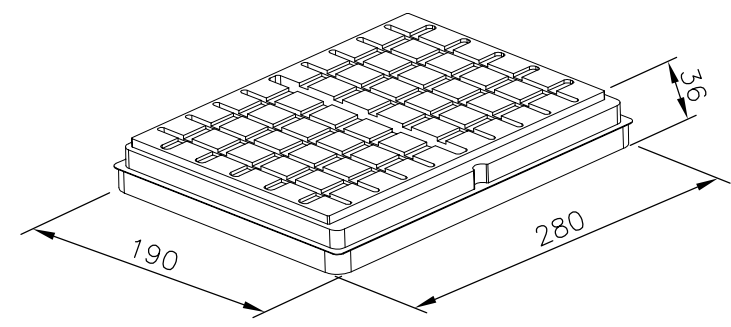
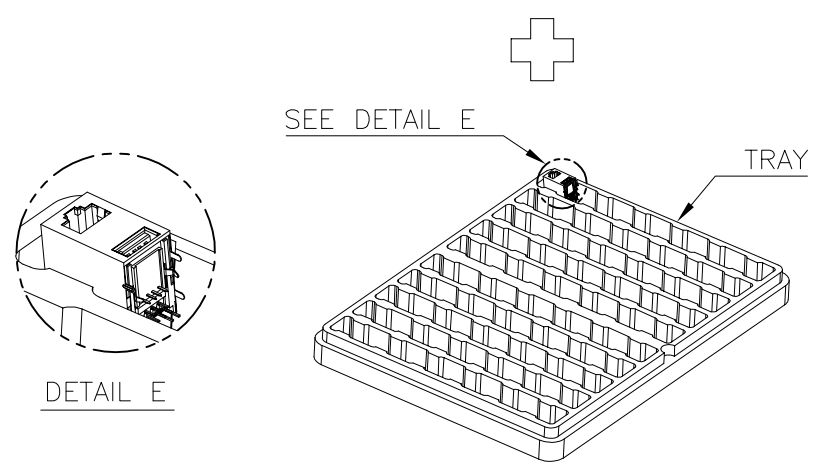
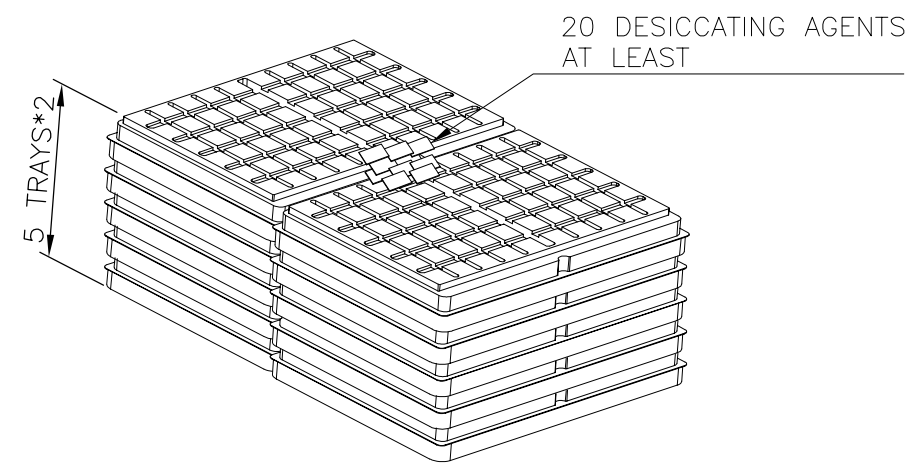
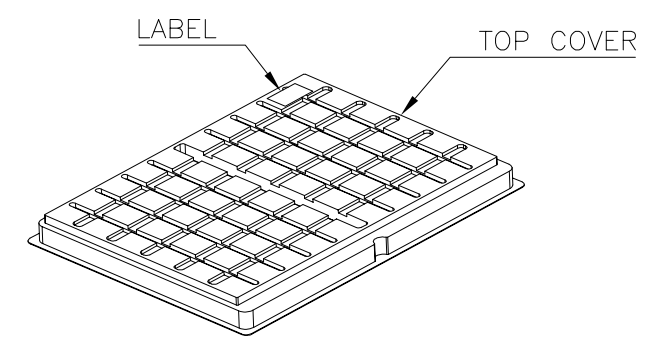
3

2

1

THIS DRAWING IS UNPUBLISHED. RELEASED FOR PUBLICATION  
 © COPYRIGHT 2011 BY TYCO ELECTRONICS CORPORATION. ALL RIGHTS RESERVED.

LOC	DIST	REVISIONS				
P	LTR	DESCRIPTION	DATE	DWN	APVD	
		SEE SHEET 1.				



9.10KG	7.10KG	50	10	500	1909119-1
GROSS WEIGHT	NET WEIGHT	PCS/TRAY	TRAY/BOX	PCS/BOX	PART NUMBER

NOTE:  
 1. MATERIAL:  
 1.1 TRAY & TOP COVER: PET.  
 1.2 BOX: CORRUGATED PAPER.  
 2. EACH BAG SHALL BE INCLUDED:  
 \*DESICCANT

THIS DRAWING IS A CONTROLLED DOCUMENT.		DWN	TE Connectivity NAME MODULAR JACK CONNECTOR OVER USB CONNECTOR STACKED, DIP TYPE				
DIMENSIONS: mm		CHK					
TOLERANCES UNLESS OTHERWISE SPECIFIED:		APVD					
0 PLC ± - 1 PLC ± 0.3 2 PLC ± 0.2 3 PLC ± 0.15 4 PLC ± - ANGLES ± 3°		PRODUCT SPEC					
MATERIAL		FINISH	APPLICATION SPEC	SIZE	CAGE CODE	DRAWING NO	RESTRICTED TO
			WEIGHT	A3	00779	C=1909119	
CUSTOMER DRAWING			SCALE	SHEET	5 OF 6	REV	C

4

3

2

1

THIS DRAWING IS UNPUBLISHED. RELEASED FOR PUBLICATION  
 © COPYRIGHT 2011 BY TYCO ELECTRONICS CORPORATION. ALL RIGHTS RESERVED.

LOC	DIST	REVISIONS				
P	LTR	DESCRIPTION	DATE	DWN	APVD	
DW		SEE SHEET 1.				

D

D

C

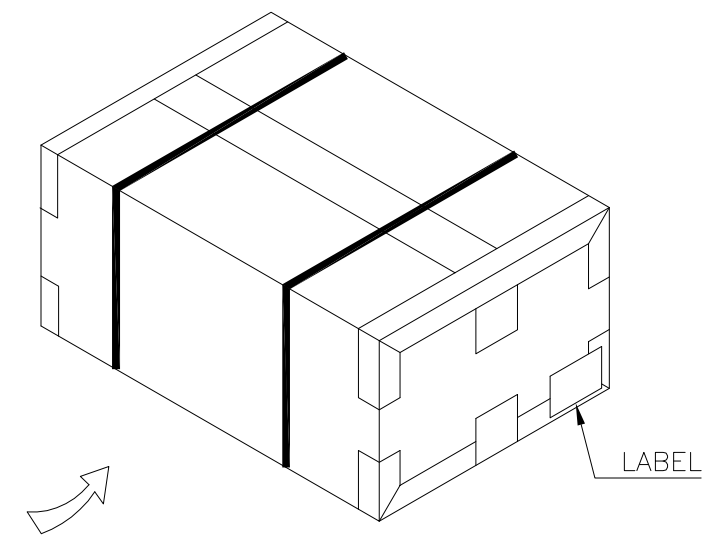
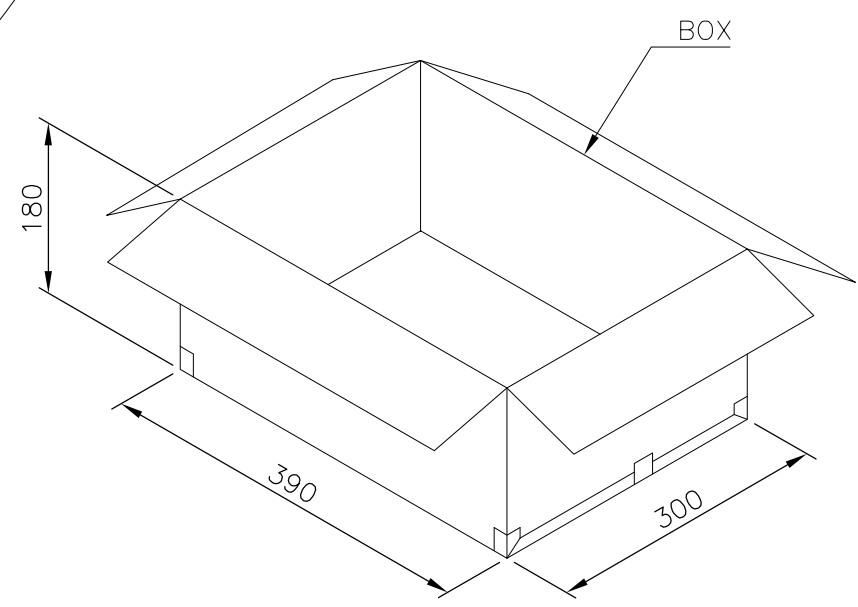
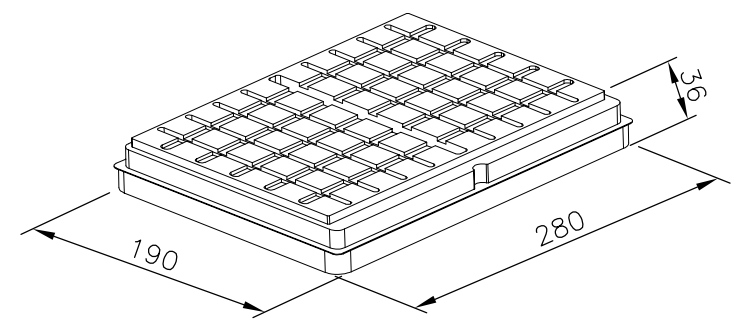
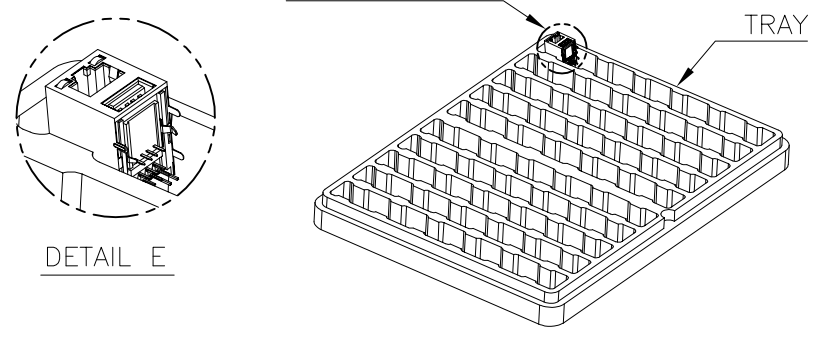
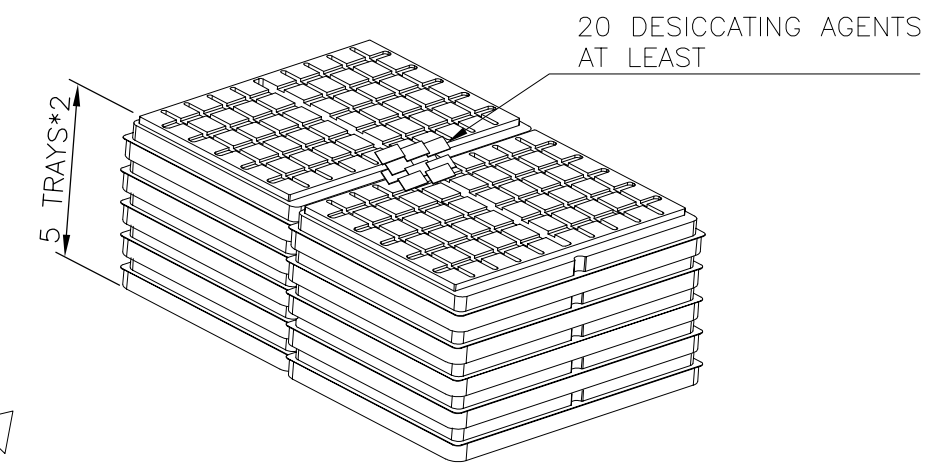
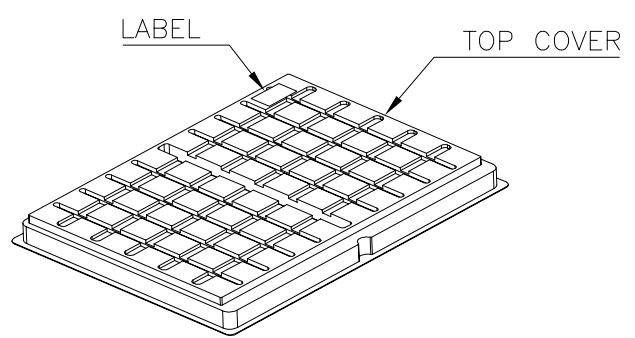
C

B

B

A

A



8.60 KG	6.55 KG	50	10	500	2-1909119-4
8.60 KG	6.55 KG	50	10	500	1-1909119-4
8.00 KG	6.05 KG	50	10	500	1909119-4
GROSS WEIGHT	NET WEIGHT	PCS/TRAY	TRAY/BOX	PCS/BOX	PART NUMBER

NOTE:

- 1. MATERIAL:
  - 1.1 TRAY & TOP COVER: PET.
  - 1.2 BOX: CORRUGATED PAPER.
- 2. EACH BAG SHALL BE INCLUDED:
  - \*DESICCANT

THIS DRAWING IS A CONTROLLED DOCUMENT.		DWN	TE Connectivity NAME MODULAR JACK CONNECTOR OVER USB CONNECTOR STACKED, DIP TYPE				
DIMENSIONS: mm		CHK					
TOLERANCES UNLESS OTHERWISE SPECIFIED:		APVD					
0 PLC ± - 1 PLC ± 0.3 2 PLC ± 0.2 3 PLC ± 0.15 4 PLC ± - ANGLES ± 3°		PRODUCT SPEC					
MATERIAL		FINISH	APPLICATION SPEC	SIZE	CAGE CODE	DRAWING NO	RESTRICTED TO
			WEIGHT	A3	00779	C-1909119	
CUSTOMER DRAWING			SCALE	SHEET	6 OF 6	REV	C

Компания «Life Electronics» занимается поставками электронных компонентов импортного и отечественного производства от производителей и со складов крупных дистрибьюторов Европы, Америки и Азии.

С конца 2013 года компания активно расширяет линейку поставок компонентов по направлению коаксиальный кабель, кварцевые генераторы и конденсаторы (керамические, пленочные, электролитические), за счёт заключения дистрибьюторских договоров

Мы предлагаем:

- Конкурентоспособные цены и скидки постоянным клиентам.
- Специальные условия для постоянных клиентов.
- Подбор аналогов.
- Поставку компонентов в любых объемах, удовлетворяющих вашим потребностям.
- Приемлемые сроки поставки, возможна ускоренная поставка.
- Доставку товара в любую точку России и стран СНГ.
- Комплексную поставку.
- Работу по проектам и поставку образцов.
- Формирование склада под заказчика.
- Сертификаты соответствия на поставляемую продукцию (по желанию клиента).
- Тестирование поставляемой продукции.
- Поставку компонентов, требующих военную и космическую приемку.
- Входной контроль качества.
- Наличие сертификата ISO.

В составе нашей компании организован Конструкторский отдел, призванный помогать разработчикам, и инженерам.

Конструкторский отдел помогает осуществить:

- Регистрацию проекта у производителя компонентов.
- Техническую поддержку проекта.
- Защиту от снятия компонента с производства.
- Оценку стоимости проекта по компонентам.
- Изготовление тестовой платы монтаж и пусконаладочные работы.



Тел: +7 (812) 336 43 04 (многоканальный)

Email: [org@lifeelectronics.ru](mailto:org@lifeelectronics.ru)