



## FEATURES

- RoHS compliant
- UL 94V-0 Package Material
- Isolation to 4kVrms
- Compact Footprint
- PCB Mounting
- Backward compatible with Sn/Pb soldering systems

## DESCRIPTION

The 1000 series are intended for wideband and pulse operations. They are also suitable for signal isolation and use in small isolated power supplies. The compact footprint makes them ideal for applications where space is at a premium.

## SELECTION GUIDE<sup>1</sup>

| Order Code | Turns Ratio ±2% | Min. Primary Inductance | Min. Primary Constant, E <sub>T</sub> | Max. Leakage Inductance | Max. Interwinding Capacitance | Max. DC Resistance Primary Winding | Max. DC Resistance Secondary 1 winding | Max. DC Resistance Secondary 2 winding | Isolation Voltage Vrms | Pin Connection Style | Mechanical Dimensions |
|------------|-----------------|-------------------------|---------------------------------------|-------------------------|-------------------------------|------------------------------------|--|--|------------------------|----------------------|-----------------------|
|            |                 | mH                      | Vμs                                   | μH                      | pF                            | Ω                                  | Ω                                      | Ω                                      |                        |                      |                       |
| 1001C      | 1:1             | 3.0                     | 200                                   | 32                      | 23                            | 1.2                                | 1.0                                    | -                                      | 2000                   | A                    | 2                     |
| 1002C      | 1:1:1           | 3.0                     | 200                                   | 30                      | 51                            | 1.4                                | 1.3                                    | 1.7                                    | 2000                   | B                    | 1                     |
| 1003C      | 2:1:1           | 12                      | 400                                   | 62                      | 58                            | 5.0                                | 2.0                                    | 3.0                                    | 2000                   | B                    | 1                     |
| 1007C      | 1:1:1           | 7.4                     | 310                                   | 20                      | 55                            | 2.9                                | 2.5                                    | 3.4                                    | 2000                   | B                    | 1                     |
| 1009C      | 1:1:1           | 22                      | 550                                   | 85                      | 71                            | 13.4                               | 11                                     | 15.8                                   | 2000                   | B                    | 1                     |
| 1013C      | 1:1:1           | 3.0                     | 200                                   | 3                       | 585                           | 2.0                                | 2.0                                    | 2.0                                    | 500V <sub>DC</sub>     | B                    | 1                     |
| 1016C      | 1:1             | 3.0                     | 200                                   | 22                      | 23                            | 1.2                                | 1.0                                    | -                                      | 3500                   | A                    | 2                     |
| 1017C      | 1:1             | 0.8                     | 130                                   | 4                       | 20                            | 0.4                                | 0.3                                    | -                                      | 4000                   | A                    | 2                     |
| 1024C      | 1.2CT:1CT       | 8.8                     | 340                                   | 60                      | 25                            | 2.5                                | 2.5                                    | -                                      | 2000                   | C                    | 1                     |
| 1025C      | 2:1:1           | 24                      | 570                                   | 90                      | 83                            | 8.7                                | 3.5                                    | 5.2                                    | 2000                   | B                    | 1                     |
| 1026C      | 1:1:1           | 6.0                     | 285                                   | 30                      | 62                            | 4.0                                | 4.0                                    | 4.9                                    | 2000                   | B                    | 1                     |
| 1082C      | 100:1           | 6.1                     | 280                                   | -                       | 6                             | 1.1                                | 0.1                                    | -                                      | 2000                   | A                    | 2                     |

## ABSOLUTE MAXIMUM RATINGS

|                                      |                |
|--------------------------------------|----------------|
| Operating free air temperature range | 0°C to 70°C    |
| Storage temperature range            | -60°C to 125°C |

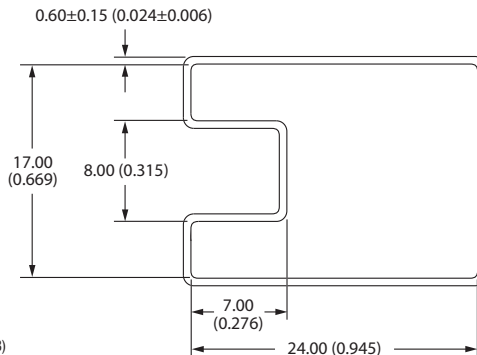
## SOLDERING INFORMATION<sup>1</sup>

|                              |                      |
|------------------------------|----------------------|
| Peak wave solder temperature | 300°C for 10 seconds |
| Pin finish                   | Matte tin            |

<sup>1</sup> For further information, please visit [www.murata-ps.com/rohs](http://www.murata-ps.com/rohs)

All specifications typical at T<sub>A</sub>=25°C.

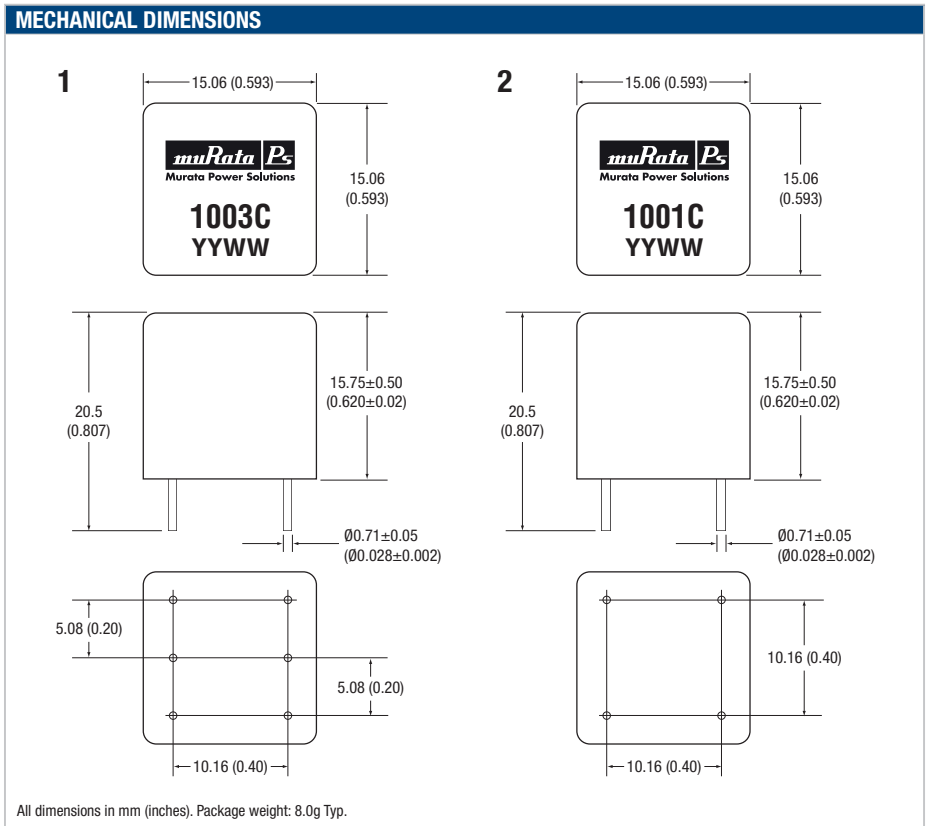
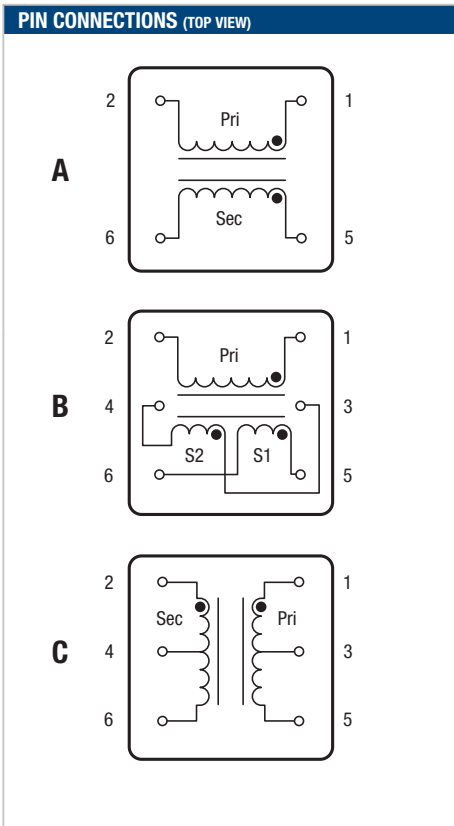
## TUBE DIMENSIONS



All dimensions in mm (inches).  
 Tube length: 480±2mm (18.9±0.08)  
 Tube quantity: 30



For full details go to [www.murata-ps.com/rohs](http://www.murata-ps.com/rohs)



### TECHNICAL NOTES

**ISOLATION VOLTAGE**

'Hi Pot Test', 'Flash Tested', 'Withstand Voltage', 'Proof Voltage', 'Dielectric Withstand Voltage' & 'Isolation Test Voltage' are all terms that relate to the same thing, a test voltage, applied for a specified time, across a component designed to provide electrical isolation, to verify the integrity of that isolation.

All products in this series are 100% production tested at their stated isolation voltage.

A question commonly asked is, "What is the continuous voltage that can be applied across the part in normal operation?"

For a part holding no specific agency approvals both input and output should normally be maintained within SELV limits i.e. less than 42.4V peak, or 60VDC. The isolation test voltage represents a measure of immunity to transient voltages and the part should never be used as an element of a safety isolation system. The part could be expected to function correctly with several hundred volts offset applied continuously across the isolation barrier; but then the circuitry on both sides of the barrier must be regarded as operating at an unsafe voltage and further isolation/insulation systems must form a barrier between these circuits and any user-accessible circuitry according to safety standard requirements.

**REPEATED HIGH-VOLTAGE ISOLATION TESTING**

It is well known that repeated high-voltage isolation testing of a barrier component can actually degrade isolation capability, to a lesser or greater degree depending on materials, construction and environment. While parts can be expected to withstand several times the stated test voltage, the isolation capability does depend on the insulative materials used. Such materials are susceptible to chemical degradation when subject to very high applied voltages. We therefore strongly advise against repeated high voltage isolation testing, but if it is absolutely required, that the voltage be reduced by 20% from specified test voltage.

This consideration equally applies to agency recognized parts rated for better than functional isolation where wire enamel insulation is always supplemented by a further insulation system of physical spacing or barriers.



This product is subject to the following [operating requirements](#) and the [Life and Safety Critical Application Sales Policy](#):

Refer to: <http://www.murata-ps.com/requirements/>

Murata Power Solutions, Inc. makes no representation that the use of its products in the circuits described herein, or the use of other technical information contained herein, will not infringe upon existing or future patent rights. The descriptions contained herein do not imply the granting of licenses to make, use, or sell equipment constructed in accordance therewith. Specifications are subject to change without notice.

© 2018 Murata Power Solutions, Inc.

# Mouser Electronics

Authorized Distributor

Click to View Pricing, Inventory, Delivery & Lifecycle Information:

[Murata:](#)

[1007C](#) [1009C](#) [1013C](#) [1016C](#) [1017C](#) [1024C](#) [1025C](#) [1026C](#) [1082C](#) [1002C](#) [1001C](#) [1003C](#)

Компания «Life Electronics» занимается поставками электронных компонентов импортного и отечественного производства от производителей и со складов крупных дистрибьюторов Европы, Америки и Азии.

С конца 2013 года компания активно расширяет линейку поставок компонентов по направлению коаксиальный кабель, кварцевые генераторы и конденсаторы (керамические, пленочные, электролитические), за счёт заключения дистрибьюторских договоров

Мы предлагаем:

- Конкурентоспособные цены и скидки постоянным клиентам.
- Специальные условия для постоянных клиентов.
- Подбор аналогов.
- Поставку компонентов в любых объемах, удовлетворяющих вашим потребностям.
- Приемлемые сроки поставки, возможна ускоренная поставка.
- Доставку товара в любую точку России и стран СНГ.
- Комплексную поставку.
- Работу по проектам и поставку образцов.
- Формирование склада под заказчика.
- Сертификаты соответствия на поставляемую продукцию (по желанию клиента).
- Тестирование поставляемой продукции.
- Поставку компонентов, требующих военную и космическую приемку.
- Входной контроль качества.
- Наличие сертификата ISO.

В составе нашей компании организован Конструкторский отдел, призванный помогать разработчикам, и инженерам.

Конструкторский отдел помогает осуществить:

- Регистрацию проекта у производителя компонентов.
- Техническую поддержку проекта.
- Защиту от снятия компонента с производства.
- Оценку стоимости проекта по компонентам.
- Изготовление тестовой платы монтаж и пусконаладочные работы.



Тел: +7 (812) 336 43 04 (многоканальный)

Email: [org@lifeelectronics.ru](mailto:org@lifeelectronics.ru)