



Micro Commercial Components



Micro Commercial Components  
20736 Marilla Street Chatsworth  
CA 91311  
Phone: (818) 701-4933  
Fax: (818) 701-4939

# DB101 THRU DB107

## Features

- Lead Free Finish/Rohs Compliant (Note1) ("P" Suffix designates Compliant. See ordering information)
- 4-PIN DIP Package
- Glass Passivated Diode Construction
- UL Recognized File # E165989
- High Surge Current Capability
- Epoxy meets UL 94 V-0 flammability rating
- Moisture Sensitivity Level 1
- Halogen free available upon request by adding suffix "-HF"

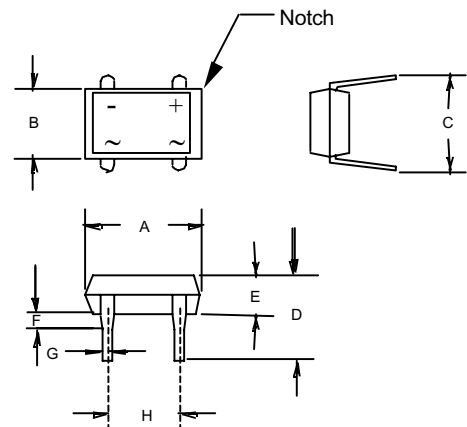
## Maximum Ratings

- Operating Junction Temperature: -55°C to +150°C
- Storage Temperature: -55°C to +150°C
- Thermal Resistance : Rthja: 40C/W; RthJL: 15C/W.

| MCC Catalog Number | Device Marking | Maximum Recurrent Peak Reverse Voltage | Maximum RMS Voltage | Maximum DC Blocking Voltage |
|--------------------|----------------|--|---------------------|-----------------------------|
| DB101              | DB101          | 50V                                    | 35V                 | 50V                         |
| DB102              | DB102          | 100V                                   | 70V                 | 100V                        |
| DB103              | DB103          | 200V                                   | 140V                | 200V                        |
| DB104              | DB104          | 400V                                   | 280V                | 400V                        |
| DB105              | DB105          | 600V                                   | 420V                | 600V                        |
| DB106              | DB106          | 800V                                   | 560V                | 800V                        |
| DB107              | DB107          | 1000V                                  | 700V                | 1000V                       |

## 1 Amp Single Phase Glass Passivated Bridge Rectifier 50 to 1000 Volts

DB-1



## Electrical Characteristics @ 25°C Unless Otherwise Specified

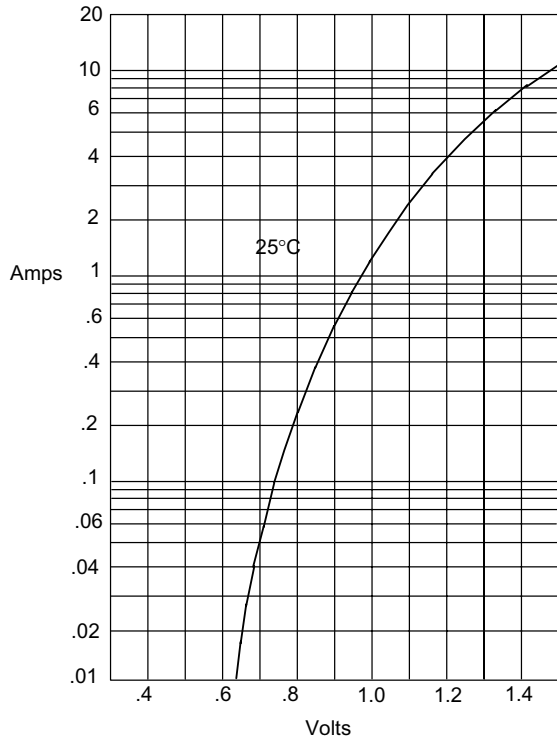
|   |             |               |   |
|---|-------------|---------------|---|
| Average Forward Current                                 | $I_{F(AV)}$ | 1 A           | $T_A = 40^\circ\text{C}$                              |
| Peak Forward Surge Current                              | $I_{FSM}$   | 50A           | 8.3ms, half sine                                      |
| Maximum Instantaneous Forward Voltage                   | $V_F$       | 1.1V          | $I_{FM} = 1.0\text{A}; T_J = 25^\circ\text{C}$        |
| Maximum DC Reverse Current At Rated DC Blocking Voltage | $I_R$       | 10μA<br>0.5mA | $T_J = 25^\circ\text{C}$<br>$T_J = 125^\circ\text{C}$ |
| Typical Junction Capacitance                            | $C_J$       | 25pF          | Measured at 1.0MHz, $V_R=4.0\text{V}$                 |

Notes: 1.High Temperature Solder Exemption Applied, see EU Directive Annex 7.

| DIM | DIMENSIONS |      |      |      | NOTE |
|-----|------------|------|------|------|------|
|     | INCHES     |      | MM   |      |      |
| A   | .316       | .335 | 8.05 | 8.51 |      |
| B   | .245       | .255 | 6.20 | 6.50 |      |
| C   | .300       | .350 | 7.60 | 8.90 |      |
| D   | .236       | .299 | 6.01 | 7.60 |      |
| E   | .102       | .130 | 2.60 | 3.30 |      |
| F   | .060       |      | 1.50 |      | Typ  |
| G   | .016       | .022 | .41  | .56  | Typ  |
| H   | .195       | .205 | 5.00 | 5.20 |      |

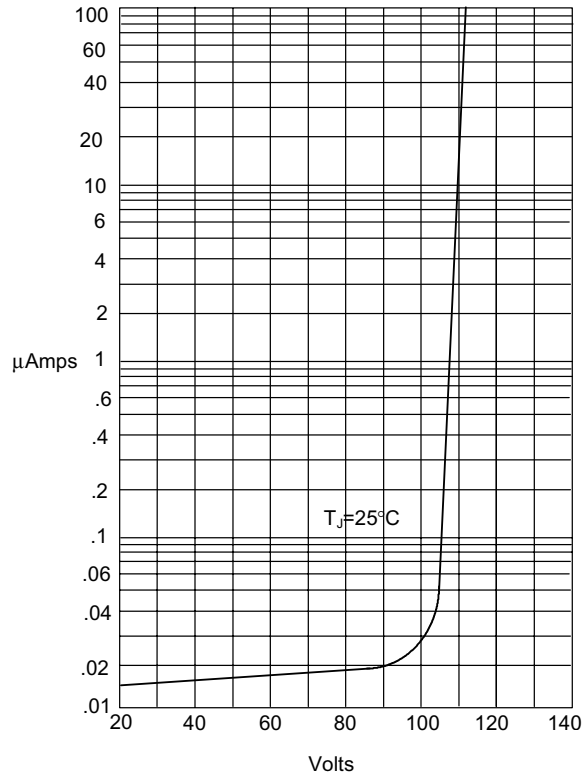
# DB101 thru DB107

Figure 1  
Typical Forward Characteristics



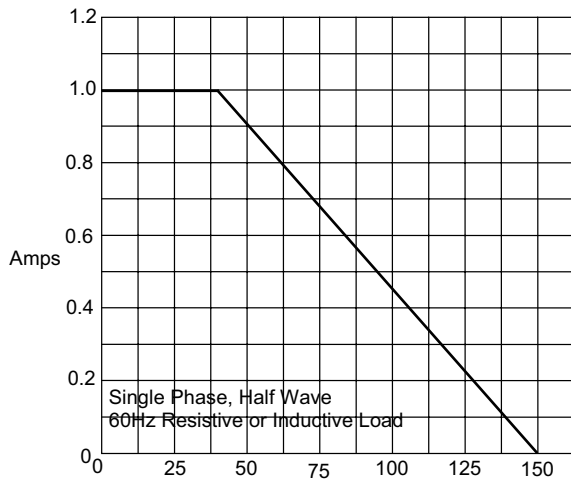
Instantaneous Forward Current - Amperes versus  
Instantaneous Forward Voltage - Volts

Figure 2  
Typical Reverse Characteristics



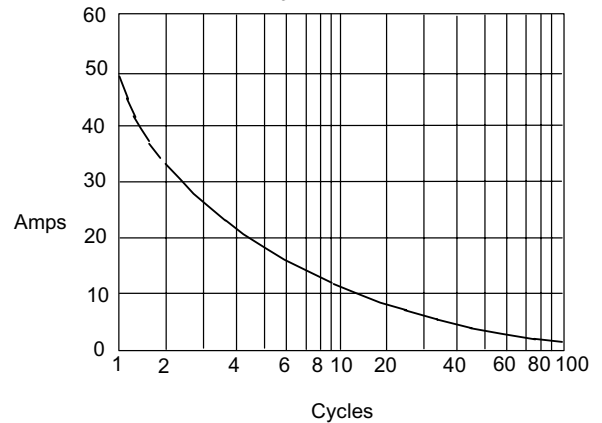
Instantaneous Reverse Leakage Current - MicroAmperes versus  
Percent Of Rated Peak Reverse Voltage - Volts

Figure 3  
Forward Derating Curve



Average Forward Rectified Current - Ambient Temperature - °C

Figure 4  
Peak Forward Surge Current



Peak Forward Surge Current - Amperes versus  
Number Of Cycles At 60Hz - Cycles



Micro Commercial Components

### Ordering Information :

| Device         | Packing           |
|----------------|-------------------|
| Part Number-BP | Bulk: 2.5Kpcs/Box |

Note : Adding "-HF" suffix for halogen free, eg. Part Number-BP-HF

**\*\*\*IMPORTANT NOTICE\*\*\***

**Micro Commercial Components Corp.** reserves the right to make changes without further notice to any product herein to make corrections, modifications , enhancements , improvements , or other changes . **Micro Commercial Components Corp .** does not assume any liability arising out of the application or use of any product described herein; neither does it convey any license under its patent rights ,nor the rights of others . The user of products in such applications shall assume all risks of such use and will agree to hold **Micro Commercial Components Corp .** and all the companies whose products are represented on our website, harmless against all damages.

**\*\*\*LIFE SUPPORT\*\*\***

MCC's products are not authorized for use as critical components in life support devices or systems without the express written approval of Micro Commercial Components Corporation.

**\*\*\*CUSTOMER AWARENESS\*\*\***

Counterfeiting of semiconductor parts is a growing problem in the industry. Micro Commercial Components (MCC) is taking strong measures to protect ourselves and our customers from the proliferation of counterfeit parts. MCC strongly encourages customers to purchase MCC parts either directly from MCC or from Authorized MCC Distributors who are listed by country on our web page cited below. Products customers buy either from MCC directly or from Authorized MCC Distributors are genuine parts, have full traceability, meet MCC's quality standards for handling and storage. **MCC will not provide any warranty coverage or other assistance for parts bought from Unauthorized Sources.** MCC is committed to combat this global problem and encourage our customers to do their part in stopping this practice by buying direct or from authorized distributors.

Компания «Life Electronics» занимается поставками электронных компонентов импортного и отечественного производства от производителей и со складов крупных дистрибьюторов Европы, Америки и Азии.

С конца 2013 года компания активно расширяет линейку поставок компонентов по направлению коаксиальный кабель, кварцевые генераторы и конденсаторы (керамические, пленочные, электролитические), за счёт заключения дистрибьюторских договоров

Мы предлагаем:

- Конкурентоспособные цены и скидки постоянным клиентам.
- Специальные условия для постоянных клиентов.
- Подбор аналогов.
- Поставку компонентов в любых объемах, удовлетворяющих вашим потребностям.
- Приемлемые сроки поставки, возможна ускоренная поставка.
- Доставку товара в любую точку России и стран СНГ.
- Комплексную поставку.
- Работу по проектам и поставку образцов.
- Формирование склада под заказчика.
- Сертификаты соответствия на поставляемую продукцию (по желанию клиента).
- Тестирование поставляемой продукции.
- Поставку компонентов, требующих военную и космическую приемку.
- Входной контроль качества.
- Наличие сертификата ISO.

В составе нашей компании организован Конструкторский отдел, призванный помогать разработчикам, и инженерам.

Конструкторский отдел помогает осуществить:

- Регистрацию проекта у производителя компонентов.
- Техническую поддержку проекта.
- Защиту от снятия компонента с производства.
- Оценку стоимости проекта по компонентам.
- Изготовление тестовой платы монтаж и пусконаладочные работы.



Тел: +7 (812) 336 43 04 (многоканальный)  
Email: [org@lifeelectronics.ru](mailto:org@lifeelectronics.ru)