

# MMC/SD™

Manual

*All Mikroelektronika's development systems feature a large number of peripheral modules expanding microcontroller's range of application and making the process of program testing easier. In addition to these modules, it is also possible to use numerous additional modules linked to the development system through the I/O port connectors. Some of these additional modules can operate as stand-alone devices without being connected to the microcontroller.*

Additional Board

 **MikroElektronika**

SOFTWARE AND HARDWARE SOLUTIONS FOR EMBEDDED WORLD ...making it simple

## MMC/SD Additional Board

A MultiMedia Card (MMC) is a memory card manufactured in Flash technology. The standard size of these cards is 24×32×1.4 mm. MMC cards have been superseded by Secure Digital Cards (SD cards) lately, but they are still very popular and widely used because they can be utilized with most devices that support SD cards.

Both types of cards are used as memory data storage in portable devices such as cameras, digital audio players, cellular phones, etc. Most modern computers are supplied with an MMC/SD slot that can read both MMC and SD cards. The *MMC/SD* additional board enables data read/write between a microcontroller and MMC/SD cards. Data transfer is performed via a standard Serial Peripheral Interface (SPI). Due to built-in voltage level converters, such as 74LVCC3245, these cards may be used both with 3.3V and 5V microcontrollers. The position of jumper J1 depends on the power supply voltage level. The *MMC/SD* additional board is connected to Mikroelektronika's development systems via a standard IDC10 connector.



Figure 1: MMC/SD additional board

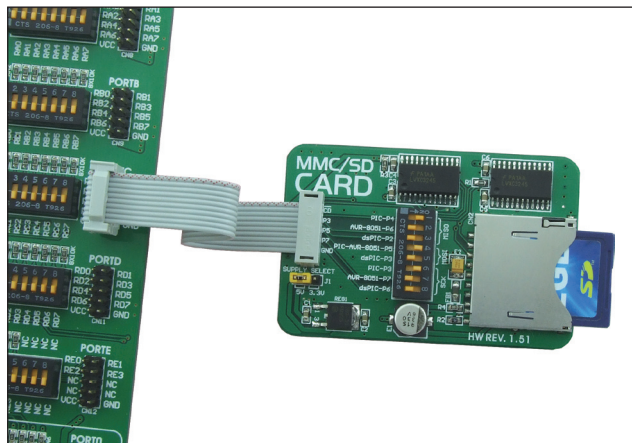


Figure 2: MMC/SD additional board connected to a development system

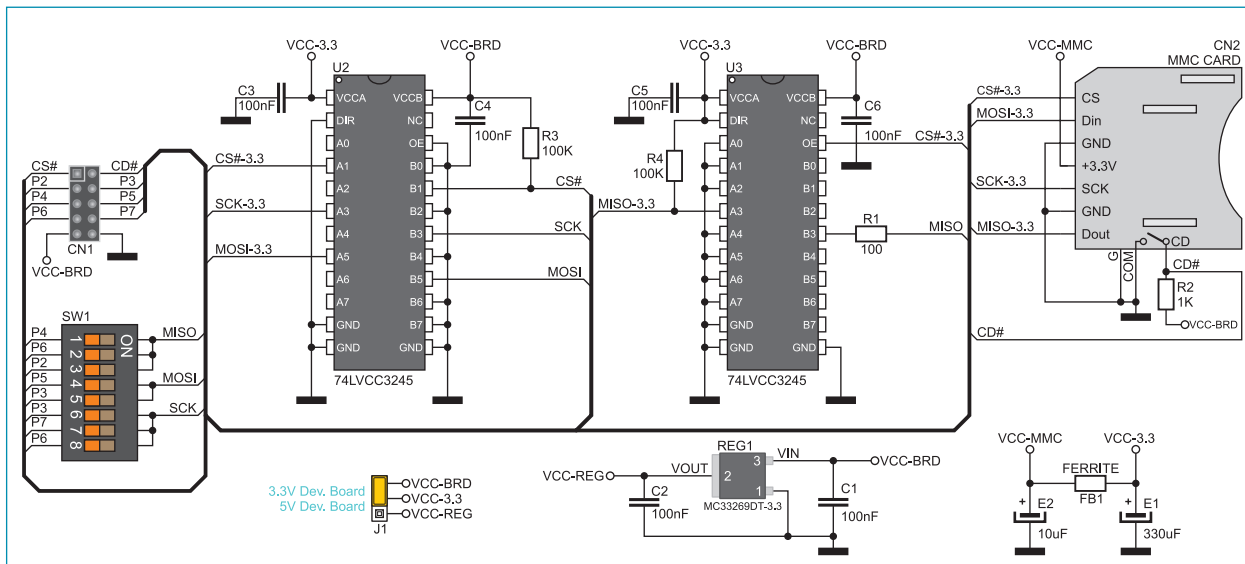


Figure 3: MMC/SD additional board connection schematic

DIP switch SW1 is used to select microcontroller pins to be used for SPI communication.

When the *MMC/SD* additional board is connected to EasyPIC, LV18F, EasyLV-18F, and BigPIC development systems, the following switches on the DIP switch SW1 should be set to the ON position:

P4 -> MISO  
P5 -> MOSI  
P3 -> SCK

For EasyAVR and Easy8051 development systems, the following switches on the DIP switch SW1 should be set to the ON position:

P6 -> MISO  
P5 -> MOSI  
P7 -> SCK

For the EASYdsPIC development system, the following switches on the DIP switch SW1 should be set to the ON position:

P2 -> MISO  
P3 -> MOSI  
P6 -> SCK

For the Easy24-33 development system, the following switches on the DIP switch SW1 should be set to the ON position:

P2 -> MISO  
P5 -> MOSI  
P3 -> SCK



**MikroElektronika**

SOFTWARE AND HARDWARE SOLUTIONS FOR EMBEDDED WORLD

*...making it simple*

If you want to learn more about our products, please visit our website at [www.mikroe.com](http://www.mikroe.com)

If you are experiencing some problems with any of our products or just need additional information, please place your ticket at [www.mikroe.com/en/support](http://www.mikroe.com/en/support)

If you have any questions, comments or business proposals, do not hesitate to contact us at [office@mikroe.com](mailto:office@mikroe.com)

# Mouser Electronics

Authorized Distributor

Click to View Pricing, Inventory, Delivery & Lifecycle Information:

[mikroElektronika:](#)

[MIKROE-3](#)

Компания «Life Electronics» занимается поставками электронных компонентов импортного и отечественного производства от производителей и со складов крупных дистрибьюторов Европы, Америки и Азии.

С конца 2013 года компания активно расширяет линейку поставок компонентов по направлению коаксиальный кабель, кварцевые генераторы и конденсаторы (керамические, пленочные, электролитические), за счёт заключения дистрибьюторских договоров

Мы предлагаем:

- Конкурентоспособные цены и скидки постоянным клиентам.
- Специальные условия для постоянных клиентов.
- Подбор аналогов.
- Поставку компонентов в любых объемах, удовлетворяющих вашим потребностям.
- Приемлемые сроки поставки, возможна ускоренная поставка.
- Доставку товара в любую точку России и стран СНГ.
- Комплексную поставку.
- Работу по проектам и поставку образцов.
- Формирование склада под заказчика.
- Сертификаты соответствия на поставляемую продукцию (по желанию клиента).
- Тестирование поставляемой продукции.
- Поставку компонентов, требующих военную и космическую приемку.
- Входной контроль качества.
- Наличие сертификата ISO.

В составе нашей компании организован Конструкторский отдел, призванный помогать разработчикам, и инженерам.

Конструкторский отдел помогает осуществить:

- Регистрацию проекта у производителя компонентов.
- Техническую поддержку проекта.
- Защиту от снятия компонента с производства.
- Оценку стоимости проекта по компонентам.
- Изготовление тестовой платы монтаж и пусконаладочные работы.



Тел: +7 (812) 336 43 04 (многоканальный)

Email: [org@lifeelectronics.ru](mailto:org@lifeelectronics.ru)