

THIS DRAWING AND THE INFORMATION SET FORTH HERE-ON ARE THE PROPERTY OF TYCO ELECTRONICS AND ARE TO BE HELD IN TRUST AND CONFIDENCE. PUBLICATION, DUPLICATION, DISCLOSURE, OR USE FOR ANY PURPOSE NOT EXPRESSLY AUTHORIZED IN WRITING BY TYCO ELECTRONICS IS PROHIBITED.

| REVISIONS | | | |
|-----------|-------------------------------------|-------------|----------|
| LTR | DESCRIPTION | DATE | APPROVED |
| C2 | ADMINISTRATIVE CHANGE ECO-11-012135 | Jun/13/2011 | M.HIGGY |
| D | REVISED PER ECO-12-021589 | Dec/11/2012 | G.WELLS |

If this document is printed it becomes uncontrolled. Check for the latest revision

SCOPE:

THIS SPECIFICATION PROVIDES A DESCRIPTION OF HEAT SHRINKABLE METAL RINGS FOR TERMINATING BRAIDED SHIELD ONTO ADAPTORS DESIGNED FOR THAT PURPOSE.



PART DESCRIPTION:




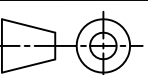
NOTES:

- 1 MATERIAL: NICKEL/TITANIUM HEAT RECOVERABLE SHAPE MEMORY ALLOY
- 2 THE OUTSIDE SURFACE OF THE RING IS MARKED WITH TWO STRIPES OF THERMOCHROMIC PAINT WHICH CHANGE COLOR WHEN THE APPROPRIATE INSTALLATION TEMPERATURE IS REACHED.
- 3. "AI" RINGS ARE IDENTIFIED BY THE ABSENCE OF A RED OR BLUE DOT. REFER TO NOTE 4.
- 4 "BI" RINGS ARE MARKED WITH A RED DOT.
"CI" RINGS ARE MARKED WITH A BLUE DOT.
- 5. REFER TO MIP-101 FOR INSTALLATION PROCEDURE.
- 6. REFER TO MPS-101 FOR PERFORMANCE REQUIREMENTS.

DIMENSIONING AND TOLERANCING PER ASME Y14.5M (ISO STANDARDS)

Raychem Adapters
CUSTOMER DRAWING

© 2008-2012 Tyco Electronics. All Rights Reserved.

| | | | | | |
|--|---|---|--|---------------------|----------------|
| UNLESS OTHERWISE SPECIFIED DIMENSIONS ARE INCHES. METRIC DIMENSIONS ARE IN BRACKETS. | DRAWN E. Goldy | DATE 05-17-93 |  | TE Connectivity | |
| | CHECKED | DATE | | | |
| | APPROVED W.C. Gay | DATE 5-26-93 | TITLE TINEL-LOCK RING | | |
| | CAD FILE: TR-CD | | SIZE A | CAGE CODE: 06090 | DWG. NO. TR |
| DECIMAL TOLERANCES | .XXX ± -- [mm] .XX ± -- [mm] .X ± -- [mm] | | REV: D | | |
| ANGLE TOLERANCE | .X ± -- | | SCALE: NONE | SHEET 1 OF 2 | |
| THIRD ANGLE PROJECTION | |  | | | |

| PART DESCRIPTION | ϕA | | ϕD |
|------------------|-----------------|--------------------|----------------------|
| | MIN AS SUPPLIED | MAX FREE RECOVERED | |
| TR04AI | .397 [10.08] | .379 [9.63] | .073±.005 [1.85±.13] |
| TR04BI | .416 [10.57] | .398 [10.11] | .073±.005 [1.85±.13] |
| TR05AI | .460 [11.68] | .440 [11.18] | .073±.005 [1.85±.13] |
| TR05BI | .479 [12.17] | .458 [11.63] | .073±.005 [1.85±.13] |
| TR06AI | .523 [13.28] | .499 [12.68] | .073±.005 [1.85±.13] |
| TR06BI | .548 [13.92] | .523 [13.28] | .073±.005 [1.85±.13] |
| TR07AI | .586 [14.88] | .559 [14.20] | .073±.005 [1.85±.13] |
| TR07BI | .606 [15.39] | .578 [14.68] | .073±.005 [1.85±.13] |
| TR08AI | .650 [16.51] | .620 [15.75] | .073±.005 [1.85±.13] |
| TR08BI | .670 [17.02] | .639 [16.23] | .073±.005 [1.85±.13] |
| TR10AI | .782 [19.86] | .744 [18.90] | .073±.005 [1.85±.13] |
| TR10BI | .802 [20.37] | .763 [19.38] | .073±.005 [1.85±.13] |
| TR10CI | .830 [21.08] | .791 [20.09] | .073±.005 [1.85±.13] |
| TR12AI | .912 [23.17] | .867 [22.02] | .073±.005 [1.85±.13] |
| TR12BI | .931 [23.65] | .886 [22.50] | .073±.005 [1.85±.13] |
| TR12CI | .960 [24.38] | .912 [23.17] | .073±.005 [1.85±.13] |
| TR14AI | 1.040 [26.42] | .988 [25.10] | .073±.005 [1.85±.13] |
| TR14BI | 1.060 [26.92] | 1.007 [25.58] | .073±.005 [1.85±.13] |
| TR14CI | 1.089 [27.66] | 1.033 [26.24] | .073±.005 [1.85±.13] |
| TR16AI | 1.171 [29.74] | 1.111 [28.22] | .073±.005 [1.85±.13] |
| TR16BI | 1.191 [30.25] | 1.129 [28.68] | .073±.005 [1.85±.13] |
| TR16CI | 1.216 [30.89] | 1.154 [29.31] | .073±.005 [1.85±.13] |
| TR18AI | 1.301 [33.05] | 1.234 [31.34] | .073±.005 [1.85±.13] |
| TR18BI | 1.320 [33.53] | 1.252 [31.80] | .073±.005 [1.85±.13] |
| TR20AI | 1.430 [36.32] | 1.357 [34.47] | .073±.005 [1.85±.13] |
| TR20BI | 1.450 [36.83] | 1.376 [34.95] | .073±.005 [1.85±.13] |
| TR22AI | 1.543 [39.19] | 1.463 [37.16] | .084±.005 [2.13±.13] |
| TR22BI | 1.561 [39.65] | 1.481 [37.62] | .084±.005 [2.13±.13] |
| TR24AI | 1.673 [42.49] | 1.587 [40.31] | .084±.005 [2.13±.13] |
| TR24BI | 1.691 [42.95] | 1.605 [40.77] | .084±.005 [2.13±.18] |
| TR28AI | 1.932 [49.07] | 1.838 [46.68] | .084±.005 [2.13±.13] |
| TR28BI | 1.950 [49.53] | 1.858 [47.19] | .084±.005 [2.13±.13] |

If this document is printed it becomes uncontrolled. Check for the latest revision

© 2008–2012 Tyco Electronics. All Rights Reserved.

Raychem Adapters
CUSTOMER DRAWING

| | | | | | |
|--------------------|--------------------|-------------|---------------------|----------------|-----------|
| DRAWN E. Goldy | DATE 05-17-1993 | SIZE A | CAGE CODE: 06090 | DWG. NO. TR | REV: D |
| CAD FILE: TR-CD | | SCALE: NONE | | SHEET 2 OF 2 | |

Компания «Life Electronics» занимается поставками электронных компонентов импортного и отечественного производства от производителей и со складов крупных дистрибьюторов Европы, Америки и Азии.

С конца 2013 года компания активно расширяет линейку поставок компонентов по направлению коаксиальный кабель, кварцевые генераторы и конденсаторы (керамические, пленочные, электролитические), за счёт заключения дистрибьюторских договоров

Мы предлагаем:

- Конкурентоспособные цены и скидки постоянным клиентам.
- Специальные условия для постоянных клиентов.
- Подбор аналогов.
- Поставку компонентов в любых объемах, удовлетворяющих вашим потребностям.
- Приемлемые сроки поставки, возможна ускоренная поставка.
- Доставку товара в любую точку России и стран СНГ.
- Комплексную поставку.
- Работу по проектам и поставку образцов.
- Формирование склада под заказчика.
- Сертификаты соответствия на поставляемую продукцию (по желанию клиента).
- Тестирование поставляемой продукции.
- Поставку компонентов, требующих военную и космическую приемку.
- Входной контроль качества.
- Наличие сертификата ISO.

В составе нашей компании организован Конструкторский отдел, призванный помогать разработчикам, и инженерам.

Конструкторский отдел помогает осуществить:

- Регистрацию проекта у производителя компонентов.
- Техническую поддержку проекта.
- Защиту от снятия компонента с производства.
- Оценку стоимости проекта по компонентам.
- Изготовление тестовой платы монтаж и пусконаладочные работы.



Тел: +7 (812) 336 43 04 (многоканальный)
Email: org@lifeelectronics.ru