

## Description

The FS1012 MEMS mass flow sensor module measures the flow rate using the thermo-transfer (calorimetric) principle. The FS1012 is capable of measuring a gas or liquid medium.

The FS1012 offers key advantages over resistor-based flow solutions. The sensor utilizes thermopile sensing, which provides an excellent signal-to-noise ratio. The sensor comprises a “solid” thermal isolation technology and silicon-carbide coating to protect it from abrasive wear and provides robustness and long-term reliability. In comparison, other sensors typically contain a fragile membrane above an etched cavity for the thermal isolation base.

The FS1012 features the sensor fully assembled and wire-bonded out to a 6-pin header. Wetted materials consist of a glass fiber reinforced PA66 resin, epoxy, and silicon carbide.

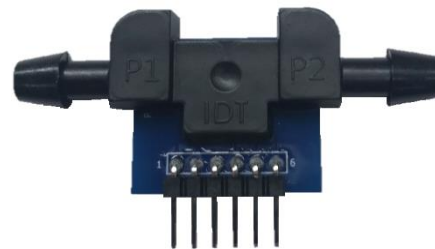
## Features

- Gas or liquid mediums
- Robust “solid” isolation technology
- Resistant to surface contamination
- No cavity to cause clogging
- Resistant to vibration and pressure shock
- Low power application
- Sensitive at low flow rates and differential pressure levels
- Fast response: <5ms
- Millivolt output
- Supply voltage: 3V to 5V
- Module operating temperature range: 0°C to +85°C

## Typical Applications

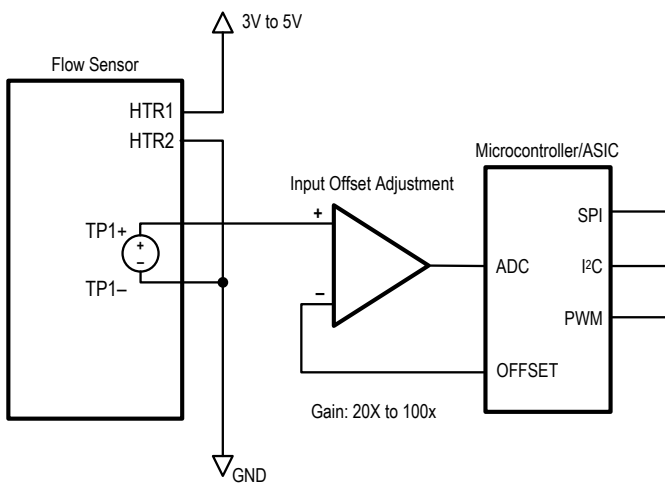
- Process controls and monitoring
- Oil and gas leak detection
- HVAC and air control systems
- CPAP and respiratory devices
- Liquid dispensing system

## FS1012 Flow Sensor Module

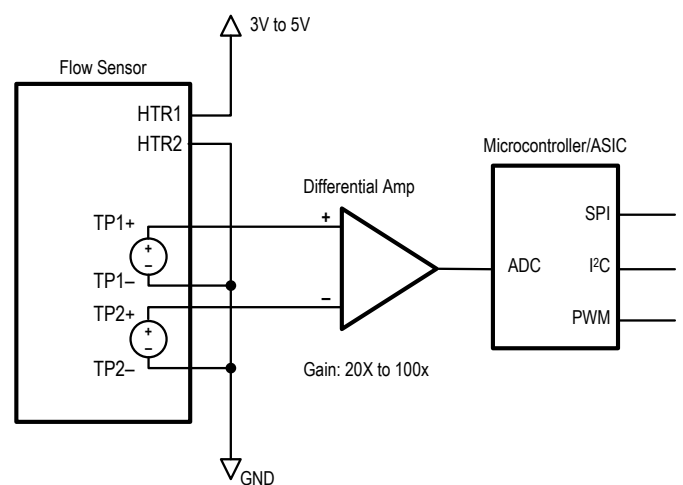


## Basic Application Circuits

**Figure 1. Single-Ended Circuit Example**

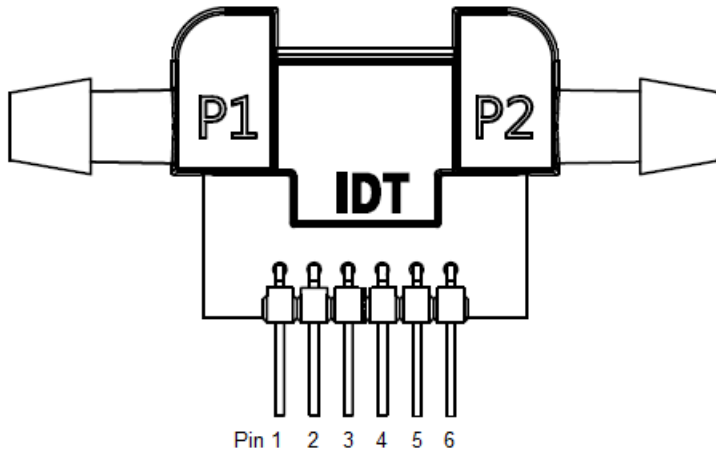


**Figure 2. Differential Circuit Example**



## Pin Assignments

**Figure 3. Pin Assignments for Module – Top View**



## Pin Descriptions

**Table 1. Pin Descriptions**

Pin Number	Pad Name	Type	Description
1	TP1+	Output	Thermopile 1 (+)
2	TP1-	Output	Thermopile 1 (-)
3	HTR1	Input	Heater
4	HTR2	Input	Heater
5	TP2-	Output	Thermopile 2 (-)
6	TP2+	Output	Thermopile 2 (+)

## Absolute Maximum Ratings

The absolute maximum ratings are stress ratings only. Stresses greater than those listed below can cause permanent damage to the device. Functional operation of the FS1012 at absolute maximum ratings is not implied. Exposure to absolute maximum rating conditions may affect device reliability.

**Table 2. Absolute Maximum Ratings**

Symbol	Parameter	Conditions	Minimum	Maximum	Units
$V_H$	Heater Voltage Supply			5.6	V
$T_{STOR}$	Storage Temperature		-50	130	°C
$P_{BURST}$	Burst Pressure			10	bar

## Recommended Operating Conditions

**Table 3. Recommended Operating Conditions**

Symbol	Parameter	Minimum	Typical	Maximum	Units
$T_{AMB}$	Ambient Operating Temperature <sup>[a]</sup>	0		85	°C
$I_{HTR\_CC}$	Heater Driving Current – Constant Current <sup>[a]</sup>		10	20	mA
$V_{HTR\_CV}$	Heater Driving Voltage – Constant Voltage <sup>[a]</sup>		3	5.6	V

[a] Sensor specifications are tested at the wafer die level.

## Electrical Characteristics

**Table 4. Electrical Characteristics**

Note: See important notes at the end of the table.

Symbol	Parameter	Conditions	Minimum	Typical	Maximum	Units
$R_H$	Heater Resistor <sup>[a]</sup>		230	290	400	$\Omega$
$\alpha_{HTR}$	Heater Temperature Coefficient of Resistance <sup>[a]</sup>			300		ppm/°C
$V_{TP\_OUT}$	Thermopile Output <sup>[a]</sup>	3V driving voltage, in air, 20°C, no flow	30	35	60	mV
$R_{TP}$	Thermopile Resistance <sup>[a]</sup>	20°C	100	210	300	K $\Omega$
$V_{TP\_OUTDIFF}$	Thermopile Differential Output <sup>[a]</sup>	3V driving voltage, in air, 20°C, no flow	-1	0	1	mV
$t_{RESP}$	Response Time			5		ms

Symbol	Parameter	Conditions	Minimum	Typical	Maximum	Units
<b>Standard Gas Flow Range<sup>[b], [c]</sup></b>						
	Gas Flow	FS1012-1020-NG	0		2 (2000)	SLPM (SCCM)
		FS1012-1100-NG	0		10 (10000)	SLPM (SCCM)
<b>Standard Liquid Flow Range<sup>[b], [c]</sup></b>						
	Liquid Flow	FS1012-1001-LQ	0		0.5 (500)	SLPM (SCCM)
		FS1012-1002-LQ	0		1.0 (1000)	SLPM (SCCM)

[a] Sensor specifications are tested at the wafer die level.

[b] SLPM: Standard liter per minute.

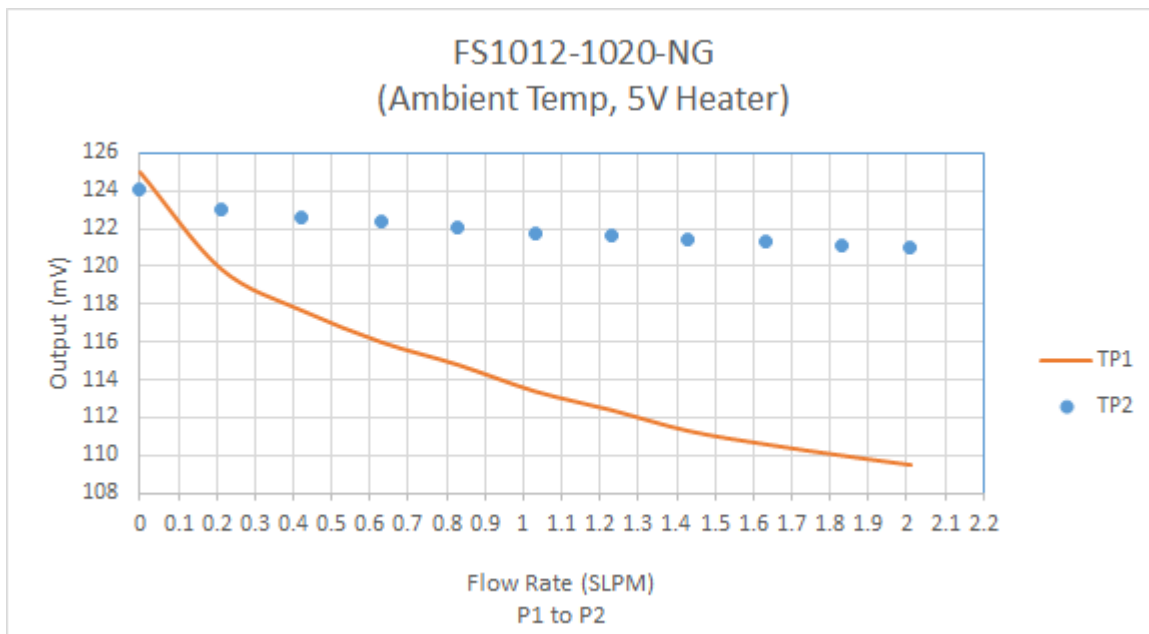
[c] SCCM: Standard cubic centimeter per minute.

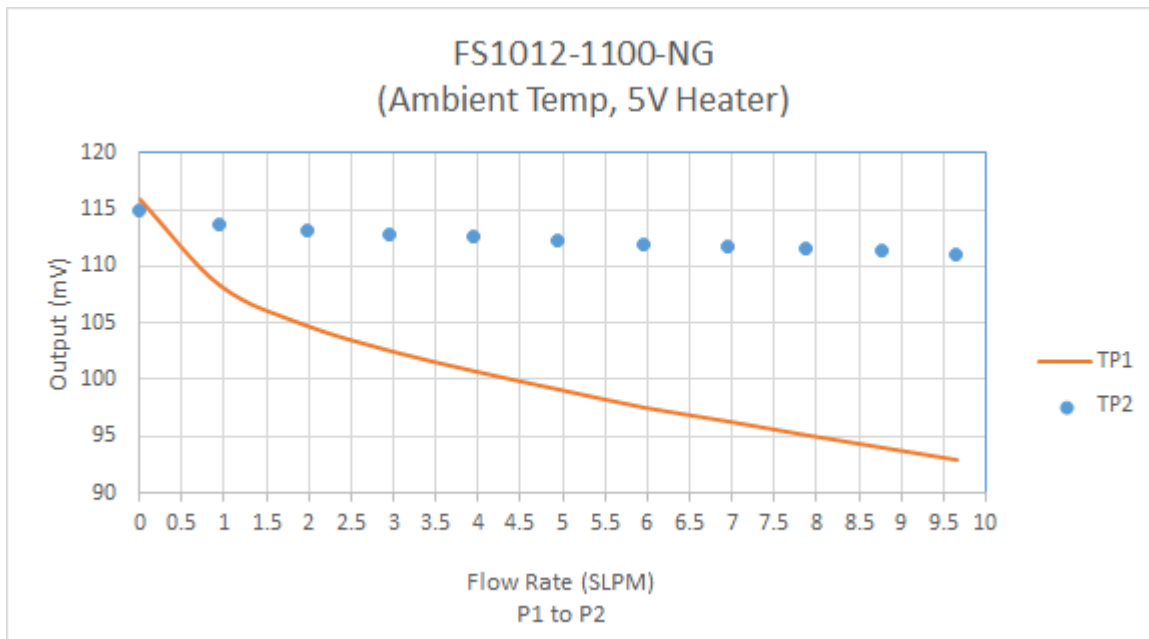
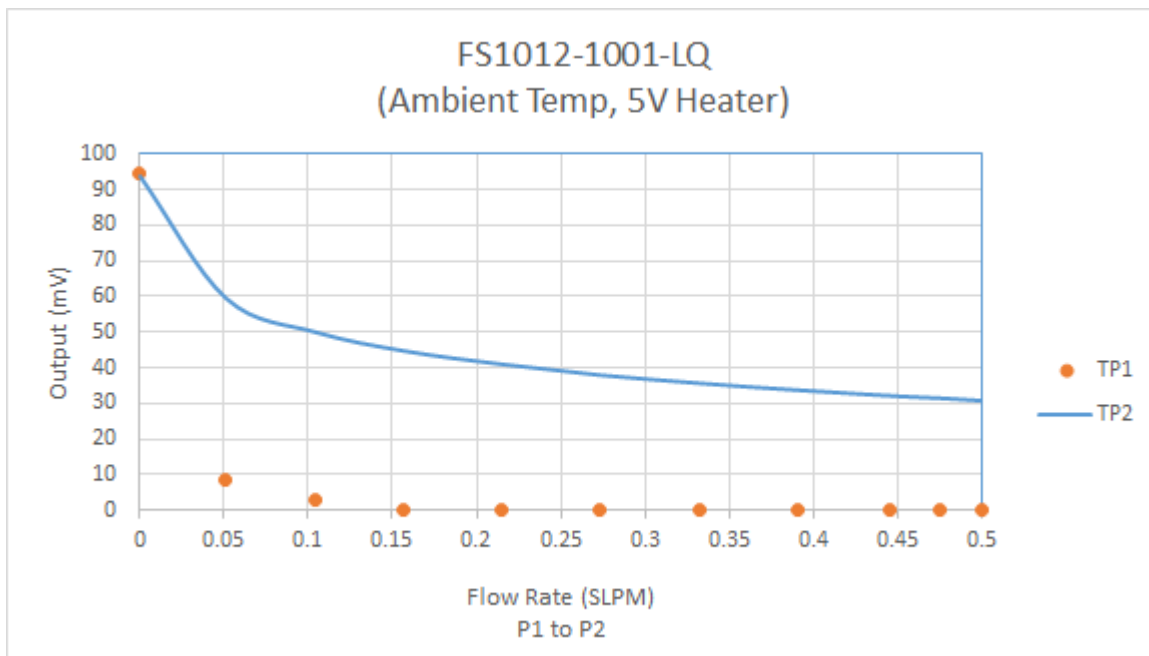
## Flow Curves

The flow output curves are typical values at room conditions. The heater voltage is set at 5VDC. Flow input is from P1 to P2 out.

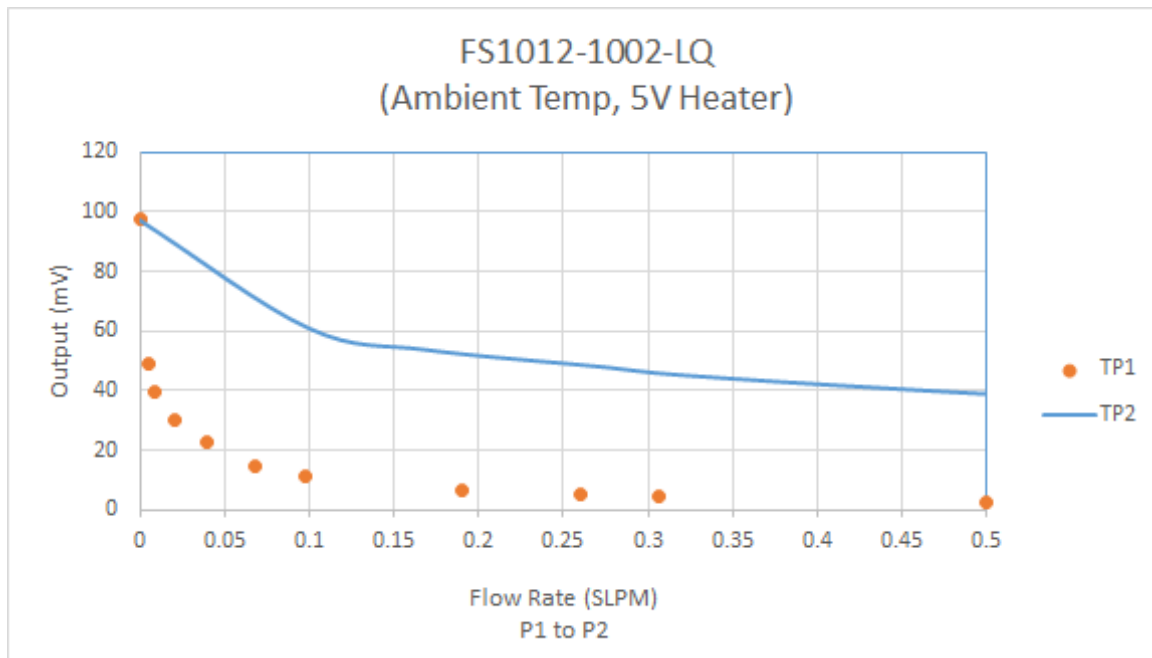
In general, use TP1 to measure gas flow and TP2 for liquid flow.

**Figure 4. FS1012-1020-NG Flow Curve**



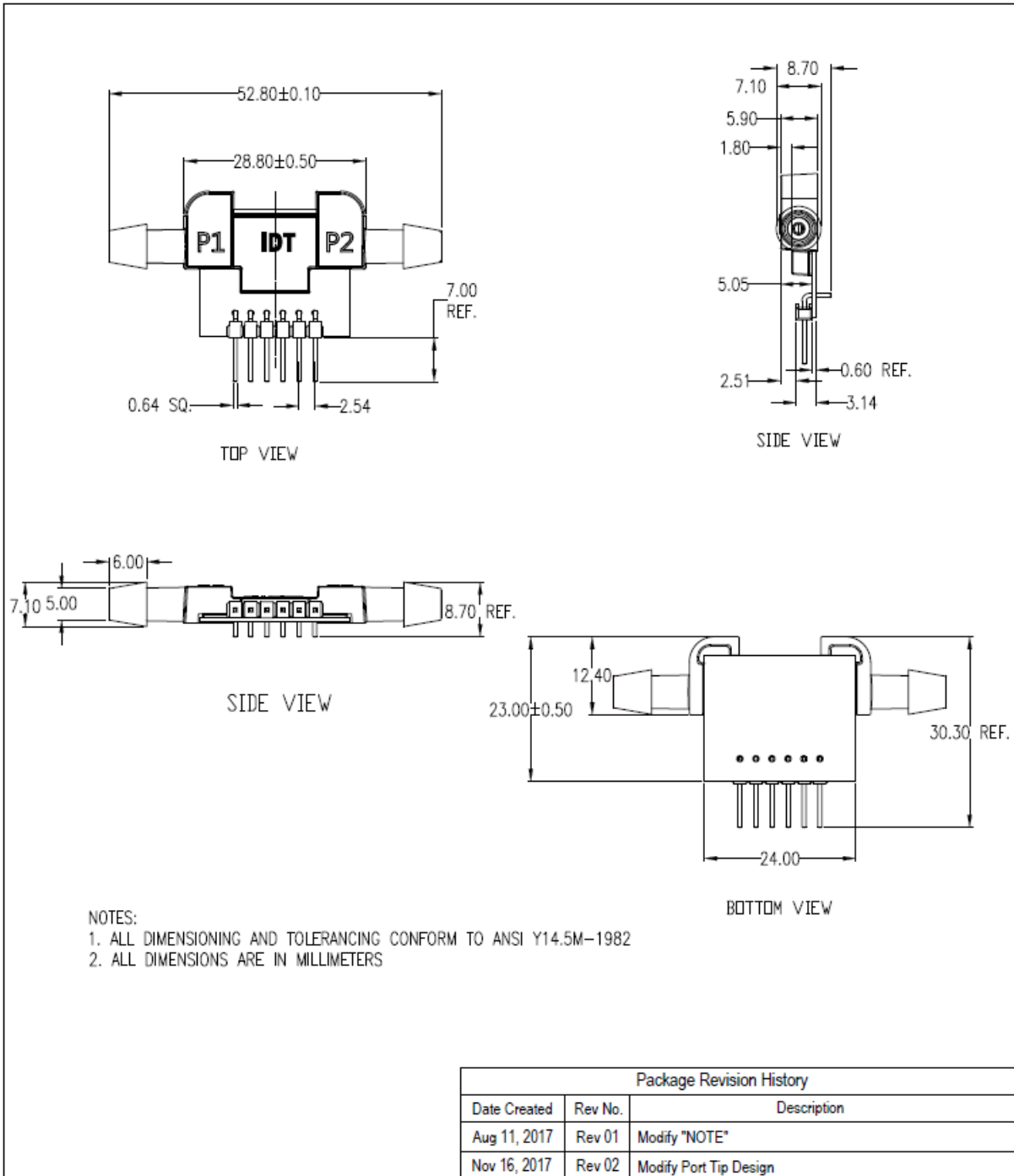
**Figure 5. FS1012-1100-NG Flow Curve****Figure 6. FS1012-1001-LQ Flow Curve**

**Figure 7. FS1012-1002-LQ Flow Curve**



# Package Outline Drawings

**Figure 8. FS1012 Module Outline Drawings**



## Ordering Information

Note: The part code depends on the application. In the part code, NG refers to “non-corrosive gas” and LQ refers to “liquid.”

Orderable Part Number	Description and Package	Shipping Packaging	Temperature
FS1012-1020-NG	0 to 2 SLPM gas flow sensor mounted on a circuit board with a flow housing	Box	0°C to +85°C
FS1012-1100-NG	0 to 10 SLPM gas flow sensor mounted on a circuit board with a flow housing	Box	0°C to +85°C
FS1012-1001-LQ	0 to 0.5 SLPM (500 SCCM) liquid flow sensor mounted on a circuit board with a flow housing	Box	0°C to +85°C
FS1012-1002-LQ	0 to 1.0 SLPM (1000 SCCM) liquid flow sensor mounted on a circuit board with a flow housing	Box	0°C to +85°C

## Revision History

Revision Date	Description of Change
November 19, 2018	Update module dimensions drawing, change Table 2 spec, added flow curves.
September 8, 2017	Updated module dimensions drawing.
July 20, 2017	Initial release of the datasheet.



### Corporate Headquarters

6024 Silver Creek Valley Road  
San Jose, CA 95138  
[www.IDT.com](http://www.IDT.com)

### Sales

1-800-345-7015 or 408-284-8200  
Fax: 408-284-2775  
[www.IDT.com/go/sales](http://www.IDT.com/go/sales)

### Tech Support

[www.IDT.com/go/support](http://www.IDT.com/go/support)

DISCLAIMER Integrated Device Technology, Inc. (IDT) and its affiliated companies (herein referred to as "IDT") reserve the right to modify the products and/or specifications described herein at any time, without notice, at IDT's sole discretion. Performance specifications and operating parameters of the described products are determined in an independent state and are not guaranteed to perform the same way when installed in customer products. The information contained herein is provided without representation or warranty of any kind, whether express or implied, including, but not limited to, the suitability of IDT's products for any particular purpose, an implied warranty of merchantability, or non-infringement of the intellectual property rights of others. This document is presented only as a guide and does not convey any license under intellectual property rights of IDT or any third parties.

IDT's products are not intended for use in applications involving extreme environmental conditions or in life support systems or similar devices where the failure or malfunction of an IDT product can be reasonably expected to significantly affect the health or safety of users. Anyone using an IDT product in such a manner does so at their own risk, absent an express, written agreement by IDT.

Integrated Device Technology, IDT and the IDT logo are trademarks or registered trademarks of IDT and its subsidiaries in the United States and other countries. Other trademarks used herein are the property of IDT or their respective third party owners. For datasheet type definitions and a glossary of common terms, visit [www.idt.com/go/glossary](http://www.idt.com/go/glossary). All contents of this document are copyright of Integrated Device Technology, Inc. All rights reserved.



Компания «Life Electronics» занимается поставками электронных компонентов импортного и отечественного производства от производителей и со складов крупных дистрибьюторов Европы, Америки и Азии.

С конца 2013 года компания активно расширяет линейку поставок компонентов по направлению коаксиальный кабель, кварцевые генераторы и конденсаторы (керамические, пленочные, электролитические), за счёт заключения дистрибьюторских договоров

Мы предлагаем:

- Конкурентоспособные цены и скидки постоянным клиентам.
- Специальные условия для постоянных клиентов.
- Подбор аналогов.
- Поставку компонентов в любых объемах, удовлетворяющих вашим потребностям.
- Приемлемые сроки поставки, возможна ускоренная поставка.
- Доставку товара в любую точку России и стран СНГ.
- Комплексную поставку.
- Работу по проектам и поставку образцов.
- Формирование склада под заказчика.
- Сертификаты соответствия на поставляемую продукцию (по желанию клиента).
- Тестирование поставляемой продукции.
- Поставку компонентов, требующих военную и космическую приемку.
- Входной контроль качества.
- Наличие сертификата ISO.

В составе нашей компании организован Конструкторский отдел, призванный помогать разработчикам, и инженерам.

Конструкторский отдел помогает осуществить:

- Регистрацию проекта у производителя компонентов.
- Техническую поддержку проекта.
- Защиту от снятия компонента с производства.
- Оценку стоимости проекта по компонентам.
- Изготовление тестовой платы монтаж и пусконаладочные работы.



Тел: +7 (812) 336 43 04 (многоканальный)

Email: [org@lifeelectronics.ru](mailto:org@lifeelectronics.ru)