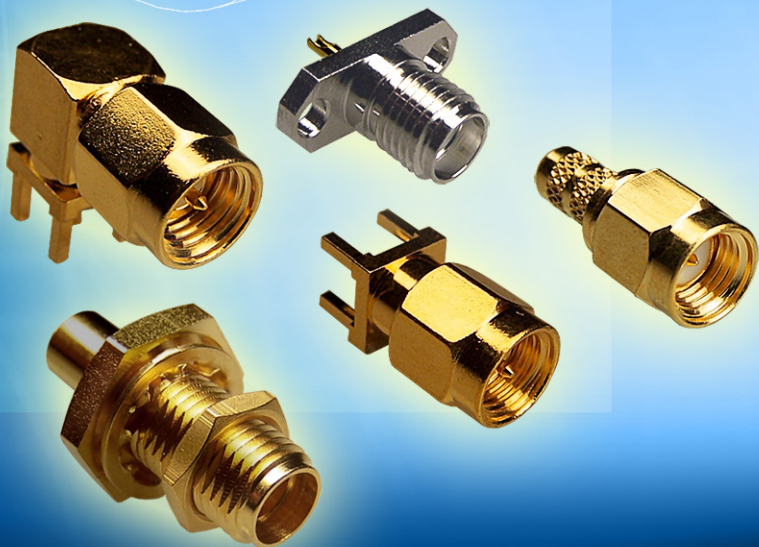
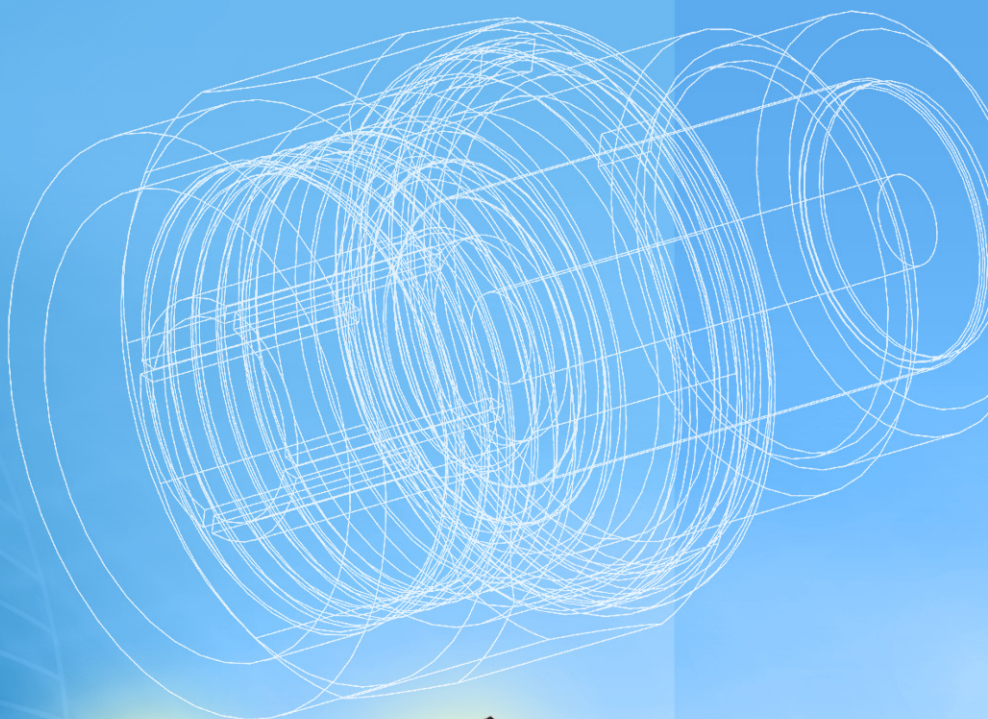
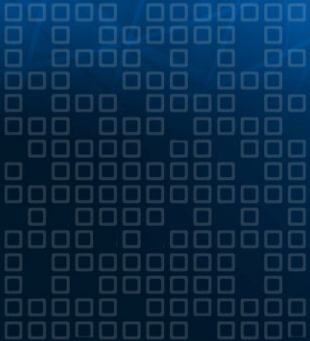


SMA



SMA Connectors



SMA Connectors

Description

SMA is an acronym for SubMiniature version A and was developed in the 1960's. It uses a threaded interface. 50 Ω SMA connectors are semi-precision, subminiature units that provide excellent electrical performance from DC to 18 GHz. These high-performance connectors are compact in size and mechanically have outstanding durability.

For phase array radar, test equipment, ILS landing systems and other instrumentation using phase matching techniques, these SMA connectors for semi-rigid coaxial cables and the SMA Plug-to-Jack adapter offer a precise and simple means of phase adjustment for microwave devices. Built in accordance with MIL-C-39012 and CECC 22110/111, SMA connectors can be mated with all connectors that meet these interface specifications, regardless of manufacturer.

SMA is available both in Standard and Reverse Polarity. Reverse polarity is a keying system accomplished with a reverse interface, and ensures that reverse polarity interface connectors do not mate with standard interface connectors. Amphenol accomplishes this by inserting female contacts into plugs and male contacts into jacks.

Features/Benefits

- Broadband performance DC to 18 GHz with low reflection stainless steel construction and 1/4-36 threaded coupling.
- Brass SMA available in nickel or gold plating which provides approximately 30% cost reduction with 100 mating cycles.
- Available for .085" and .141" diameter semi-rigid cables and all the standard flexible cables including double shielded RG-316.
- Phase Adjustable SMA connectors provide ease of mechanical screw adjustments.

Applications

- Base Stations
- Cable Assemblies
- Instrumentation
- Mil/Aero
- Process Controls
- PC/LAN
- Telecom

Stainless Steel SMA Specifications

Electrical

| | |
|---------------------------------|--|
| Impedance | 50 Ω |
| Frequency range | DC - 18 GHz (semi-rigid cable) DC - 12.4 GHz (flexible cable) |
| RF-leakage | 100 dB-f minimum @ 3 GHz (semi-rigid cable) 60 dB minimum @ 3 GHz (flexible cable) |
| Voltage rating (at sea level) | ≤ 500 Vrms (semi-rigid, depending on cable) ≤ 335 Vrms (flexible, depending on cable) |
| Contact resistance | center contact: ≤ 2 mΩ outer contact: ≤ 2 mΩ braid to body: ≤ 0.5 mΩ |
| Insulation resistance | 5,000 MΩ minimum |
| Insertion loss maximum | dB maximum = .03 √ f(GHz) |
| Dielectric withstanding voltage | 1,500 Vrms (semi-rigid cable, at sea level) 1,000 Vrms (flexible cable, at sea level) |

Mechanical

| | |
|----------------------------------|---|
| Mating | .250-36 threaded coupling |
| Coupling torque | 15 in-lbs (22 / 170 N-cm) max, recom. 7 / 10 in-lbs (80 / 110 N-cm) |
| Coupling nut retention force | 100 in-lbs (300 N-cm) min. |
| Braid/Jacket cable affixment | Crimp and solder types |
| Center conductor cable affixment | Solder, unless noted otherwise |
| Captivated contacts | All types, unless noted otherwise |
| Durability (matings) | 500 cycles minimum |

Environmental

| | |
|---------------------|--|
| Temperature range | -65°C to +165°C |
| Weatherproof | crimp: w/ heat shrink tubing, solder: w/ gasket |
| Thermal shock | MIL-STD-202, method 107, cond. B |
| Moisture resistance | MIL-STD-202, method 106 (except step 7b) |
| Corrosion | MIL-STD-202, method 101, cond. B |
| Vibration | MIL-STD-202, method 204, cond. D |
| Mechanical shock | MIL-STD-202, method 213, cond. 1 |
| Altitude | MIL-STD-202, method 105, cond. C (n/a 70,000 ft) |

Note: These characteristics are typical but may not apply to all connectors.

Stainless Steel SMA Specifications (continued)

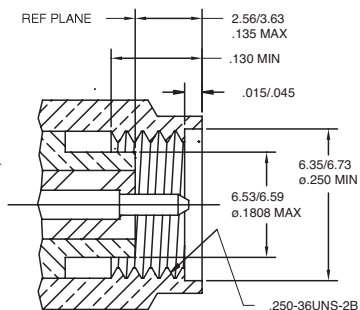
Material

| | |
|-------------------|--|
| Center contact | Beryllium copper, gold plated |
| Crimp ferrule | Copper or brass |
| Other metal parts | Non-magnetic stainless steel (except as noted) |
| Plated | Gold or nickel |
| Insulator | PTFE (ASTM D1457) |
| Gasket | Silicone rubber (MIL-R-5847 and ZZ-R-765) |

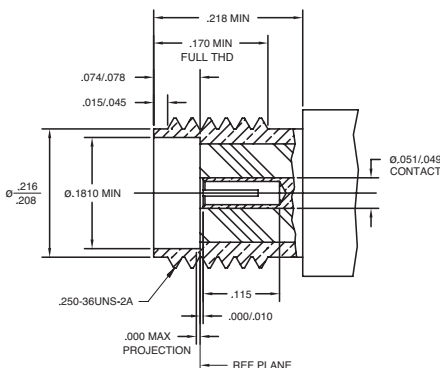
Military

| | |
|-----------------|------------------|
| MIL-C-39012 | where applicable |
| MIL-C-83517 SMA | where applicable |

Plug



Jack



Brass SMA Specifications

Electrical

| | |
|---------------------------------|--|
| Impedance | 50 Ω |
| Frequency range | DC - 18 GHz (semi-rigid cable) DC - 12.4 GHz (flexible cable) |
| RF-leakage | 100 dB-f minimum @ 3 GHz (semi-rigid cable) 60 dB minimum @ 3 GHz (flexible cable) |
| Voltage rating (at sea level) | ≤ 500 Vrms (semi-rigid, depending on cable) ≤ 335 Vrms (flexible, depending on cable) |
| Contact resistance | center contact: ≤ 2 mΩ outer contact: ≤ 2 mΩ braid to body: ≤ 0.5 mΩ |
| Insulation resistance | 5,000 MΩ minimum |
| Insertion loss maximum | dB maximum = .06 √ f(GHz) |
| Dielectric withstanding voltage | 1,500 Vrms (semi-rigid cable, at sea level) 1,000 Vrms (flexible cable, at sea level) |

Mechanical

| | |
|----------------------------------|---|
| Mating | .250-36 threaded coupling |
| Coupling torque, min./max. | max. = 5.2 in-lbs (60 N-cm), recommended = 4 in-lbs (45 N-cm) |
| Coupling nut retention force | 100 in-lbs (300 N-cm) min. |
| Braid/Jacket cable affixment | Crimp and solder types |
| Center conductor cable affixment | Solder, unless noted otherwise |
| Captivated contacts | All types, unless noted otherwise |
| Durability (matings) | 100 cycles minimum |

Environmental

| | |
|---------------------|--|
| Temperature range | -65°C to +165°C |
| Weatherproof | crimp: w/ heat shrink tubing, solder: w/ gasket |
| Thermal shock | MIL-STD-202, method 107, cond. B |
| Moisture resistance | MIL-STD-202, method 106 (except step 7b) |
| Corrosion | MIL-STD-202, method 101, cond. B |
| Vibration | MIL-STD-202, method 204, cond. D |
| Mechanical shock | MIL-STD-202, method 213, cond. 1 |
| Altitude | MIL-STD-202, method 105, cond. C (n/a 70,000 ft) |

Material

| | |
|-------------------|--|
| Male contact | Brass, gold plated |
| Female contact | Beryllium copper, gold plated |
| Crimp ferrule | Copper or brass |
| Other metal parts | Brass (except as noted), gold or nickel plated |
| Insulator | PTFE (ASTM D1457) |
| Gasket | Silicone rubber (MIL-R-5847 and ZZ-R-765) |

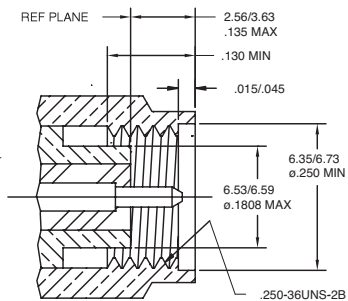
Military

| | |
|-----------------|------------------|
| MIL-C-39012 | where applicable |
| MIL-C-83517 SMA | where applicable |

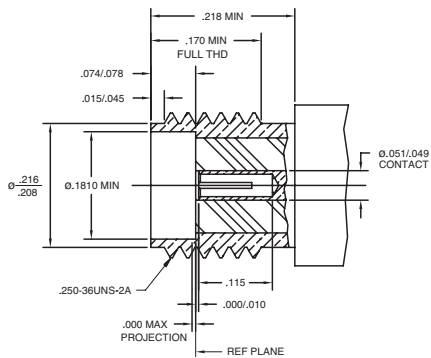
Note: These characteristics are typical but may not apply to all connectors.

Brass SMA Specifications (continued)

Plug



Jack



Reverse Polarity SMA Specifications

Electrical

| | |
|---------------------------------|--|
| Impedance | 50 Ω |
| Frequency range | DC - 18 GHz (semi-rigid cable) DC - 12.4 GHz (flexible cable) |
| RF-leakage | 100 dB-f minimum @ 3 GHz (semi-rigid cable) 60 dB minimum @ 3 GHz (flexible cable) |
| Voltage rating (at sea level) | ≤ 500 Vrms (semi-rigid, depending on cable) ≤ 335 Vrms (flexible, depending on cable) |
| Contact resistance | center contact: ≤ 2 mΩ outer contact: ≤ 2 mΩ braid to body: ≤ 0.5 mΩ |
| Insulation resistance | 5,000 MΩ minimum |
| Dielectric withstanding voltage | 1,500 Vrms (semi-rigid cable, at sea level) 1,000 Vrms (flexible cable, at sea level) |

Mechanical

| | |
|----------------------------------|--|
| Mating | .250-36 threaded coupling |
| Coupling nut retention force | 100 in-lbs (300 N-cm) min. |
| Braid/Jacket cable affixment | Crimp and solder types |
| Center conductor cable affixment | Solder, unless noted otherwise |
| Captivated contacts | All types, unless noted otherwise |
| Durability (matings) | 100 cycles min. (brass), 500 cycles min. (stainless steel) |

Environmental

| | |
|---------------------|--|
| Temperature range | -65°C to +165°C |
| Weatherproof | crimp: w/ heat shrink tubing, solder: w/ gasket |
| Thermal shock | MIL-STD-202, method 107, cond. B |
| Moisture resistance | MIL-STD-202, method 106 (except step 7b) |
| Corrosion | MIL-STD-202, method 101, cond. B |
| Vibration | MIL-STD-202, method 204, cond. D |
| Mechanical shock | MIL-STD-202, method 213, cond. 1 |
| Altitude | MIL-STD-202, method 105, cond. C (n/a 70,000 ft) |

Material

| | |
|-------------------|--|
| Center contact | Beryllium copper, gold plated |
| Crimp ferrule | Copper or brass |
| Other metal parts | Non-magnetic stainless steel or brass, gold, silver or nickel plated |
| Insulator | PTFE (ASTM D1457) |
| Gasket | Silicone rubber (MIL-R-5847 and ZZ-R-765) |

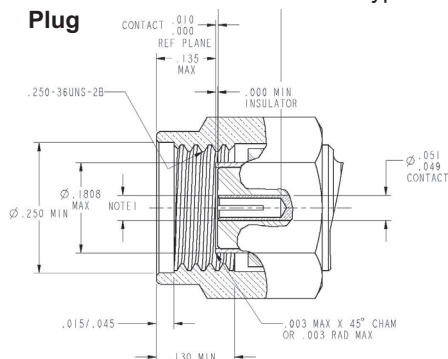
Military

MIL-C-39012

MIL-C-83517 SMA

Note: These characteristics are typical but may not apply to all connectors.

Plug

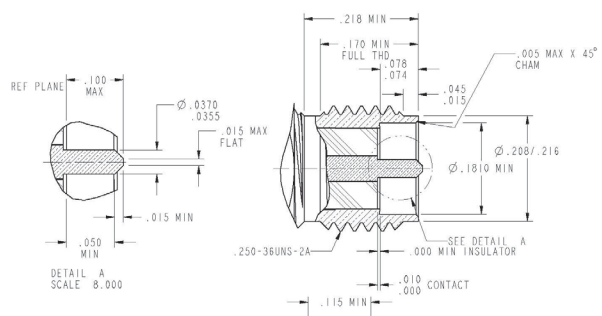


where applicable

where applicable

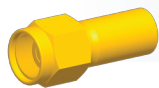
where applicable

Jack



Cable Connectors

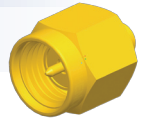
Straight Plugs for Flexible Cable



| Cable Group | Part Number | Body Material | Plating | | Termination | |
|-------------|------------------|-----------------|------------|---------|-------------|---------|
| | | | Body | Contact | Body | Contact |
| B | 901-9601-3 | Stainless Steel | Gold | Gold | Crimp | Solder |
| B | 901-9601-3SF | Stainless Steel | Passivated | Gold | Crimp | Solder |
| B | 901-9501-3 | Stainless Steel | Gold | Gold | Crimp | Solder |
| B | 901-128-11 (QPL) | Stainless Steel | Gold | Gold | Clamp | Solder |
| B | 901-9511-3 | Stainless Steel | Gold | Gold | Crimp | Solder |
| B | 901-9511-3SF | Stainless Steel | Passivated | Gold | Crimp | Solder |
| B | 901-9511-12SF | Stainless Steel | Passivated | Gold | Crimp | Solder |
| B | 901-9511-3SFC | Stainless Steel | Passivated | Gold | Solder | Crimp |
| B | 901-9511-12SFC | Stainless Steel | Passivated | Gold | Solder | Crimp |
| B | 901-155-12 (QPL) | Stainless Steel | Gold | Gold | Crimp | Solder |
| B | 901-155-16 (QPL) | Stainless Steel | Gold | Gold | Crimp | Solder |
| B2 | 901-9877-RFX | Brass | Nickel | Gold | Crimp | Solder |
| B | 901-9916 | Brass | Gold | Gold | Crimp | Solder |
| C | 901-103 | Stainless Steel | Gold | Gold | Clamp | Solder |
| C | 901-103-11 (QPL) | Stainless Steel | Gold | Gold | Clamp | Solder |
| C | 901-9511-2 | Stainless Steel | Gold | Gold | Crimp | Solder |
| C | 901-9511-2SF | Stainless Steel | Gold | Gold | Crimp | Solder |
| C | 901-9870 | Brass | Gold | Gold | Crimp | Solder |
| C | 901-9876-RFX | Brass | Nickel | Gold | Crimp | Solder |
| C | 901-9871 | Brass | Gold | Gold | Crimp | Solder |
| C1 | 901-9601-1SF | Stainless Steel | Passivated | Gold | Crimp | Solder |
| C1 | 901-9511-1 | Stainless Steel | Gold | Gold | Crimp | Solder |
| C1 | 901-9511-1SF | Stainless Steel | Passivated | Gold | Crimp | Crimp |
| C1 | 901-9511-1SFC | Stainless Steel | Passivated | Gold | Crimp | Crimp |
| C1 | 901-101-15 (QPL) | Stainless Steel | Gold | Gold | Crimp | Crimp |
| C2 | 901-10010-RFX | Brass | Gold | Gold | Crimp | Solder |
| C2 | 901-10012 | Stainless Steel | Passivated | Gold | Crimp | Solder |
| G2 | 901-10009-RFX | Brass | Gold | Gold | Crimp | Solder |
| G2 | 901-10011 | Stainless Steel | Passivated | Gold | Crimp | Solder |

Straight Plugs for Semi-Rigid Cable

| Cable Group | Part Number | Body Material | Plating | | Termination |
|-------------|---------------|-----------------|---------|---------|----------------|
| | | | Body | Contact | Body & Contact |
| L | 901-9201-1A | Stainless Steel | Gold | Gold | Solder |
| L | 901-9201-1ASF | Stainless Steel | Gold | Gold | Solder |
| L | 901-9808 | Stainless Steel | Gold | Gold | Solder |
| L | 901-9808-1 | Stainless Steel | Gold | Gold | Solder |
| L | 901-9808-2 | Stainless Steel | Gold | Gold | Solder |
| L | 901-9868-RFX | Brass | Gold | Gold | Solder |
| L2 | 901-9201-2A | Stainless Steel | Gold | Gold | Solder |
| L2 | 901-9201-2ASF | Stainless Steel | Gold | Gold | Solder |
| L2 | 901-9723 | Stainless Steel | Gold | Gold | Solder |
| L2 | 901-9723-10 | Stainless Steel | Gold | Gold | Solder |
| L2 | 901-9805-HP | Stainless Steel | Gold | Gold | Solder |
| L2 | 901-9867-RFX | Brass | Gold | Gold | Solder |

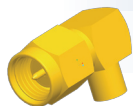


Angle Plugs for Flexible Cable

| Cable Group | Part Number | Body Material | Plating | | Termination | |
|-------------|------------------|-----------------|------------|---------|-------------|---------|
| | | | Body | Contact | Body | Contact |
| B | 901-368-12 (QPL) | Stainless Steel | Gold | Gold | Solder | Solder |
| B | 901-9531-3 | Stainless Steel | Gold | Gold | Crimp | Solder |
| B | 901-9521-3 | Stainless Steel | Gold | Gold | Crimp | Solder |
| B | 901-9531-3SF | Stainless Steel | Passivated | Gold | Crimp | Crimp |
| B | 901-9872 | Brass | Gold | Gold | Crimp | Solder |
| B | 901-9881-RFX | Brass | Nickel | Gold | Crimp | Solder |
| B2 | 901-9531-12 | Stainless Steel | Gold | Gold | Crimp | Crimp |
| B2 | 901-9531-12SF | Stainless Steel | Passivated | Gold | Crimp | Solder |
| C | 901-9531-2 | Stainless Steel | Gold | Gold | Crimp | Solder |
| C | 901-9531-2SF | Stainless Steel | Passivated | Gold | Solder | Crimp |
| C | 901-9873 | Brass | Gold | Gold | Crimp | Solder |
| C | 901-9880-RFX | Brass | Nickel | Gold | Crimp | Solder |
| C1 | 901-148-15 (QPL) | Stainless Steel | Gold | Gold | Solder | Solder |
| C1 | 901-9531-1 | Stainless Steel | Gold | Gold | Crimp | Solder |
| C1 | 901-9531-1SF | Stainless Steel | Passivated | Gold | Crimp | Solder |
| C1 | 901-9874 | Brass | Gold | Gold | Crimp | Solder |
| G2 | 901-10014 | Stainless Steel | Passivated | Gold | Solder | Crimp |



Cable Connectors (continued)



Angle Plugs for Semi-Rigid Cable

| Cable | | Body Material | Plating | | Termination | |
|-------|---------------|-----------------|---------|---------|----------------|--------|
| Group | Part Number | | Body | Contact | Body & Contact | |
| L | 901-9221-1A | Stainless Steel | Gold | Gold | Solder | Solder |
| L | 901-9221-1ASF | Stainless Steel | Gold | Gold | Solder | Solder |
| L2 | 901-9221-2A | Stainless Steel | Gold | Gold | Solder | Solder |
| L2 | 901-9221-2ASF | Stainless Steel | Gold | Gold | Solder | Solder |



Straight Jacks

| Cable | | Body Material | Plating | | Termination | |
|-------|---------------|-----------------|------------|---------|-------------|------------|
| Group | Part Number | | Body | Contact | Body | Contact |
| B | 901-9602-3 | Stainless Steel | Gold | Gold | Crimp | Solder |
| B | 901-9602-3SF | Stainless Steel | Passivated | Gold | Crimp | Solder |
| B2 | 901-9602-12SF | Stainless Steel | Passivated | Gold | Crimp | Solder |
| C1 | 901-9602-1 | Stainless Steel | Gold | Gold | Crimp | Solder |
| C1 | 901-9602-1SF | Stainless Steel | Passivated | Gold | Crimp | Solder |
| L | 901-9202-1A | Stainless Steel | Gold | Gold | Solder | Solder |
| L | 901-9704 | Stainless Steel | Gold | Gold | Solder | Captivated |
| L2 | 901-9202-2A | Stainless Steel | Gold | Gold | Solder | Solder |



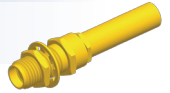
Bulkhead Jacks

| Cable | | Body Material | Plating | | Termination | |
|-------|----------------|-----------------|------------|---------|-------------|---------|
| Group | Part Number | | Body | Contact | Body | Contact |
| B | 901-9610-3 | Stainless Steel | Gold | Gold | Crimp | Solder |
| B | 901-9610-3SF | Stainless Steel | Passivated | Gold | Crimp | Solder |
| B | 901-10021-3SF | Stainless Steel | Passivated | Gold | Crimp | Solder |
| B | 901-9875 | Brass | Gold | Gold | Crimp | Solder |
| B | 901-9879-RFX | Brass | Nickel | Gold | Crimp | Solder |
| B | 901-10013-RFX | Brass | Nickel | Gold | Crimp | Solder |
| B2 | 901-9610-12SF | Stainless Steel | Passivated | Gold | Crimp | Solder |
| B2 | 901-10021-12SF | Stainless Steel | Passivated | Gold | Crimp | Solder |
| C1 | 901-9610-1SF | Stainless Steel | Passivated | Gold | Crimp | Solder |
| C1 | 901-10021-1SF | Stainless Steel | Passivated | Gold | Crimp | Solder |
| G2 | 901-10015 | Stainless Steel | Passivated | Gold | Crimp | Solder |
| L | 901-9210-1 | Stainless Steel | Gold | Gold | Solder | Solder |
| L2 | 901-9210-2 | Stainless Steel | Gold | Gold | Solder | Solder |

Receptacles

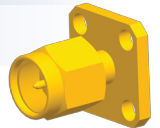
Straight Bulkhead Jacks

| Part Number | Body Material | Plating | | Terminal Type | Description |
|-------------|-----------------|------------|---------|---------------|--------------------------------|
| | | Body | Contact | | |
| 901-9911 | Stainless Steel | Passivated | Gold | Blunt Post | Front Mount, .050 Pin |
| 901-9211 | Stainless Steel | Gold | Gold | Solder Cup | Rear Mount/Hex Flange |
| 901-9220 | Stainless Steel | Gold | Gold | Blunt Post | Front or Rear Mount |
| 901-9841 | Stainless Steel | Gold | Gold | Post | Front Mount |
| 901-9856 | Stainless Steel | Passivated | Gold | Slot | Press Fit |
| 901-9023 | Stainless Steel | Passivated | Gold | Socket | Front or Rear Mount (launcher) |



Straight Panel Plugs: 4-Hole Flange

| Part Number | Body Material | Plating | | Terminal Type |
|-------------|-----------------|------------|---------|---------------------------|
| | | Body | Contact | |
| 901-9214-CC | Stainless Steel | Gold | Gold | Blunt Post/.158(4.0) Long |
| 901-9767 | Stainless Steel | Passivated | Gold | Blunt Post/.115(2.9) Long |



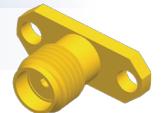
Straight Panel Jacks: 4-Hole Flange

| Part Number | Body Material | Plating | | Terminal Type |
|---------------|-----------------|------------|---------|--|
| | | Body | Contact | |
| 901-9215 | Stainless Steel | Gold | Gold | Solder Cup .200" (5.1mm) Long |
| 901-9758 | Stainless Steel | Passivated | Gold | Blunt Post .115" (2.9mm) Long |
| 901-9204-CCSF | Stainless Steel | Passivated | Gold | Blunt Post .205" dielectric + .060" center conductor behind flange |
| 901-9839 | Stainless Steel | Passivated | Gold | Blunt Post .06" dielectric + .120" center conductor behind flange |
| 901-9789 | Stainless Steel | Passivated | Gold | Blunt Post .590" dielectric + .117" center conductor behind flange |
| 901-9804-1 | Stainless Steel | Passivated | Gold | Blunt Post, Solder Dipped .010 dia |



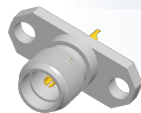
Straight Panel Jacks: 2-Hole Flange

| Part Number | Body Material | Plating | | Terminal Type |
|--------------|-----------------|------------|---------|------------------------------|
| | | Body | Contact | |
| 901-9244-1 | Stainless Steel | Gold | Gold | Slot .025" (0.6mm) wide |
| 901-9244-1SF | Stainless Steel | Passivated | Gold | Slot .025" (0.6mm) wide |
| 901-9814 | Stainless Steel | Passivated | Gold | Socket (Flush) |
| 901-9770 | Stainless Steel | Passivated | Gold | Socket (Extended Dielectric) |



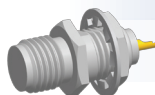
Receptacles (continued)

Panel Jacks



| Part Number | Body Material | Plating | | Terminal Type |
|--------------|---------------|---------|---------|---------------|
| | | Body | Contact | |
| 901-9893-RFX | Brass | Nickel | Gold | Solder Cup |
| 901-9892-RFX | Brass | Nickel | Gold | Solder Cup |
| 901-9891-RFX | Brass | Nickel | Gold | Blunt Post |
| 901-9887-RFX | Brass | Nickel | Gold | Blunt Post |

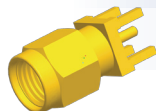
Bulkhead Jacks



| Part Number | Body Material | Plating | | Terminal Type | Description |
|--------------|---------------|---------|---------|---------------|-------------|
| | | Body | Contact | | |
| 901-9889-RFX | Brass | Nickel | Gold | Solder Cup | Front Mount |
| 901-9890-RFX | Brass | Nickel | Gold | Solder Cup | Rear Mount |

Printed Circuit Board Connectors

Straight Plugs



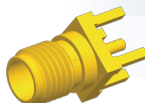
| Part Number | Body Material | Plating | | Terminal Type | Description |
|--------------|---------------|---------|---------|---------------|-------------|
| | | Body | Contact | | |
| 901-9895-RFX | Brass | Gold | Gold | Thru-Hole | Four Legs |

Angle Plugs



| Part Number | Body Material | Plating | | Terminal Type | Description |
|--------------|---------------|---------|---------|---------------|-------------|
| | | Body | Contact | | |
| 901-9894-RFX | Brass | Gold | Gold | Thru-Hole | Four Legs |

Straight Jacks

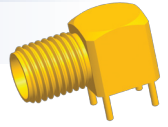


| Part Number | Body Material | Plating | | Terminal Type | Description |
|--------------|-----------------|---------|---------|---------------|-------------|
| | | Body | Contact | | |
| 901-144-8RFX | Brass | Gold | Gold | Thru-Hole | Four Legs |
| 901-144 | Stainless Steel | Gold | Gold | Thru-Hole | Four Legs |
| 901-144-2 | Stainless Steel | Gold | Gold | Thru-Hole | Four Legs |
| 901-144-3 | Stainless Steel | Gold | Gold | Thru-Hole | Four Legs |
| 901-144-4 | Stainless Steel | Gold | Gold | Thru-Hole | Four Legs |

Printed Circuit Board Connectors (continued)

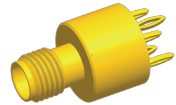
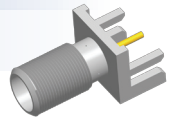
Angle Jacks

| Part Number | Body Material | Plating | | Terminal Type | Description |
|--------------|-----------------|---------|---------|---------------|-------------|
| | | Body | Contact | | |
| 901-143-6RFX | Brass | Gold | Gold | Thru-Hole | Four Legs |
| 901-143 | Stainless Steel | Gold | Gold | Thru-Hole | Four Legs |
| 901-143-3 | Stainless Steel | Gold | Gold | Thru-Hole | Four Legs |
| 901-143-4 | Stainless Steel | Gold | Gold | Thru-Hole | Four Legs |



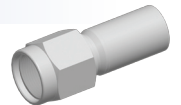
Edge Mount Jacks

| Part Number | Body Material | Plating | | Terminal Type |
|----------------|---------------|---------|---------|---------------|
| | | Body | Contact | |
| 901-9850 | Brass | Nickel | Gold | Blunt Post |
| 901-10003 | Brass | Gold | Gold | Blunt Post |
| 901-10019 | Brass | Gold | Gold | Blunt Post |
| 901-10110 | Brass | Gold | Gold | Tab |
| 901-10111 | Brass | Gold | Gold | Tab |
| 901-10044-4RFX | Brass | Gold | Gold | Tab |
| 901-10044-6RFX | Brass | Gold | Gold | Blunt Post |
| 901-10186 | Brass | Gold | Gold | Blunt Post |
| 901-1004-3RFX | Brass | Gold | Gold | Tab |
| 901-1004-2RFX | Brass | Gold | Gold | Blunt Post |
| 901-1004-1RFX | Brass | Gold | Gold | Blunt Post |



Straight Press Fit Jacks

| Part Number | Body Material | Plating | | Terminal Type |
|-------------|---------------|---------|---------|---------------|
| | | Body | Contact | |
| 901-144-PFD | Brass | Nickel | Gold | Compliant Pin |
| 901-144-PF8 | Brass | Gold | Gold | Blunt Post |



Reverse Polarity Cable Connectors

Straight Plugs

| Cable Group | Part Number | Body Material | Plating | | Termination | |
|-------------|-------------|-----------------|------------|---------|-------------|---------|
| | | | Body | Contact | Body | Contact |
| B | 901-9852 | Brass | Nickel | Gold | Crimp | Solder |
| C1 | 901-9884 | Stainless Steel | Passivated | Gold | Crimp | Solder |

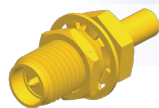


Angle Plugs

| Cable Group | Part Number | Body Material | Plating | | Termination | |
|-------------|-------------|-----------------|------------|---------|-------------|---------|
| | | | Body | Contact | Body | Contact |
| C1 | 901-9908 | Stainless Steel | Passivated | Gold | Crimp | Solder |

Reverse Polarity Cable Connectors (continued)

Straight Bulkhead Jacks



| Cable Group | Part Number | Body Material | Plating | | Termination | |
|----------------|-------------|-----------------|------------|---------|-------------|---------|
| | | | Body | Contact | Body | Contact |
| A | 901-9990 | Stainless Steel | Passivated | Gold | Crimp | Solder |
| B | 901-9863 | Stainless Steel | Passivated | Gold | Crimp | Solder |
| L | 901-9857 | Stainless Steel | Passivated | Gold | Crimp | Solder |

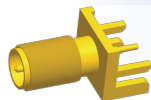
Reverse Polarity Printed Circuit Board Connectors

Angle Jacks



| Part Number | Body Material | Plating | | Description |
|-------------|-----------------|---------|---------|---------------|
| | | Body | Contact | |
| 901-9865 | Stainless Steel | Gold | Gold | Post Terminal |

Edge Mount Jacks



| Part Number | Body Material | Plating | | Description |
|-------------|---------------|---------|---------|---------------|
| | | Body | Contact | |
| 901-9864 | Brass | Gold | Gold | Post Terminal |

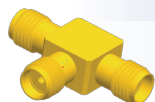
Adapters

In-Series Adapters



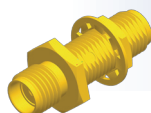
| Part Number | Body Material | Plating | | Description |
|--------------|-----------------|------------|---------|--------------------|
| | | Body | Contact | |
| 901-9217 | Stainless Steel | Gold | Gold | Straight Jack-Jack |
| 901-9217-SF | Stainless Steel | Passivated | Gold | Straight Jack-Jack |
| 901-9216 | Stainless Steel | Gold | Gold | Straight Plug-Jack |
| 901-9216-SF | Stainless Steel | Passivated | Gold | Straight Plug-Jack |
| 901-9218 | Stainless Steel | Gold | Gold | Straight Plug-Plug |
| 901-9218-SF | Stainless Steel | Passivated | Gold | Straight Plug-Plug |
| 901-125-11 | Stainless Steel | Gold | Gold | Angle Plug-Jack |
| 901-125-11SF | Stainless Steel | Passivated | Gold | Angle Plug-Jack |

In-Series T-Adapters



| Part Number | Body Material | Plating | | Description |
|-------------|---------------|---------|---------|----------------|
| | | Body | Contact | |
| 901-178 | Brass | Gold | Gold | Jack-Jack-Jack |
| 901-382-1 | Brass | Gold | Gold | Jack-Jack-Jack |

In-Series Bulkhead Adapters



| Part Number | Body Material | Plating | | Description |
|--------------|---------------|---------|---------|-------------------------------|
| | | Body | Contact | |
| 901-9209-A | Brass | Gold | Gold | Jack-Jack Front or Rear Mount |
| 901-9209-ASF | Brass | Gold | Gold | Jack-Jack Front or Rear Mount |

Notes

| Cable Group | Cable Type |
|-------------|--|
| A | RG-178, 196 |
| B | RG-174, 188A, 316, Belden 7805 |
| B1 | RG-179, 187, Belden 9221 |
| B2 | RD-188/U, RD-316/U |
| B3 | RD-179/U, AT&T 19224L2 |
| C | RG-58, 58A, 58C, 141, 303, LMR195, Belden 7806A, 9907 |
| C1 | RG-55, 142, 223, 400 |
| C2 | LMR200, Belden 7807A |
| D | RG-58/U Plenum, Thinnet, RG-122/U, Belden 88240, 89907 |
| E | RG-59, 62, 140, 210, Belden 8241, 8263, 8279, 9209 |
| E1 | RG-59/U 20 AWG center conductor, Belden 1426A, 1505A, 9100, 9278 |
| E2 | RD-59/U, Belden 8281, 9141, 9231 |
| E3 | RG-59/U Quad Shield, Belden 1152A |
| F | RG-59/U Plenum, Belden 1560A, 9259, 82259, 89259, 88241 |
| F1 | RG-59/U Plenum 20 AWG center conductor, Belden 82108 |
| G1 | RG-6, 143, 212 |
| G2 | 8X, LMR240, Belden 7808A, 9258 |
| G3 | LMR400, Belden 7810A, 8214, 9913 |
| G4 | RG-8, 8A, 9, 87A, 213, 214, 225, 393 |
| G5 | RD-6/U |
| H | RG-11 |
| H1 | Belden 1694A, 9248 |
| H2 | Belden 1859A, 7731, 8213, 9292 |
| H3 | RG-54A/U |
| I | AT&T 734A, Belden 1505A |
| I2 | AT&T 735A, Belden 735A1 |
| J | Quad 59 headend cable |
| K | LMR600 |
| K2 | Belden 1695A |
| K3 | RG-122, 180, 195, Belden 1855, 1865A, 8218 |
| L | .141 semi-rigid, RG-402/U |
| L2 | .085, .086, .087 semi-rigid, RG-405/U |
| L3 | .250 semi-rigid |
| L4 | .047 semi-rigid, Belden 1674 |
| M | 1/2 inch annular corrugated |
| M1 | 1 1/4 inch annular corrugated |
| M2 | 1 5/8 inch annular corrugated |
| M3 | 7/8 inch annular corrugated |
| N | 1/4 Helical |
| N1 | 3/8 Helical |
| N2 | 1/2 Helical |
| N3 | 7/8 inch SFC |
| P1 | .81 mm OD micro-cable |
| P2 | 1.13 mm OD micro-cable, TCB-068 |
| P3 | 1.32 mm OD micro-cable |
| P4 | 1.37 mm OD micro-cable |

Mouser Electronics

Authorized Distributor

Click to View Pricing, Inventory, Delivery & Lifecycle Information:

Amphenol:

[901-116](#) [901-170](#) [901-9511-1SFC](#) [901-9610-12SF](#) [901-9201-2A](#) [901-9511-2](#) [901-9601-1SF](#) [901-101](#) [901-9244-2SF](#) [901-9246-10](#) [901-B2506-493](#) [901-B2509-493](#) [901-B6001-392](#) [901-9CCSF](#) [901-10199](#) [901-155-12](#) [901-178](#)

Компания «Life Electronics» занимается поставками электронных компонентов импортного и отечественного производства от производителей и со складов крупных дистрибьюторов Европы, Америки и Азии.

С конца 2013 года компания активно расширяет линейку поставок компонентов по направлению коаксиальный кабель, кварцевые генераторы и конденсаторы (керамические, пленочные, электролитические), за счёт заключения дистрибьюторских договоров

Мы предлагаем:

- Конкурентоспособные цены и скидки постоянным клиентам.
- Специальные условия для постоянных клиентов.
- Подбор аналогов.
- Поставку компонентов в любых объемах, удовлетворяющих вашим потребностям.
- Приемлемые сроки поставки, возможна ускоренная поставка.
- Доставку товара в любую точку России и стран СНГ.
- Комплексную поставку.
- Работу по проектам и поставку образцов.
- Формирование склада под заказчика.
- Сертификаты соответствия на поставляемую продукцию (по желанию клиента).
- Тестирование поставляемой продукции.
- Поставку компонентов, требующих военную и космическую приемку.
- Входной контроль качества.
- Наличие сертификата ISO.

В составе нашей компании организован Конструкторский отдел, призванный помогать разработчикам, и инженерам.

Конструкторский отдел помогает осуществить:

- Регистрацию проекта у производителя компонентов.
- Техническую поддержку проекта.
- Защиту от снятия компонента с производства.
- Оценку стоимости проекта по компонентам.
- Изготовление тестовой платы монтаж и пусконаладочные работы.



Тел: +7 (812) 336 43 04 (многоканальный)

Email: org@lifeelectronics.ru