



# MOP-TFT480272-43G-BLM-TPC

---

Hardware Manual

Revision 1.1

## Revision History

Revision	Date	Description	Author
1.1	March 29, 2018	Updated Naming Convention	Divino
1.0	May 26, 2017	Initial Release	Divino



# Contents

Revision History .....	1
Contents .....	2
1 General Information .....	3
2 Absolute Maximum Ratings.....	3
3 Electrical Characteristics.....	3
4 Backlight Characteristics.....	3
5 Touch Panel Characteristics .....	4
6 External Dimensions .....	5
7 Electro-Optical Characteristics .....	6
8 Interface Description .....	7
8.1 LCM Interface Description .....	7
8.2 CTP Interface Description .....	7
9 AC Characteristics .....	8
9.1 Pixel Timing.....	8
9.2 Data Timing.....	9
10 Power Sequence .....	10
10.1 Power Up Sequence .....	10
10.2 Power Down Sequence.....	10
11 Inspection Criterion .....	11
11.1 Description .....	11
11.2 Sample plan .....	11
11.3 Inspection condition .....	11
11.4 Definition of inspection zone in LCD.....	11
11.5 Function Defect .....	11
11.6 LCD pixel defect .....	12
11.7 Dot and line defect .....	12
12 Handling Precautions.....	13
12.1 Mounting method .....	13
12.2 LCD Handling and Cleaning Precaution .....	13
12.3 Static Charge Precaution .....	13
12.4 Packing.....	13
12.5 Precautions during Operation .....	13
12.6 Storage Recommendations .....	14
12.7 Safety Precautions .....	14
13 Ordering .....	15
13.1 Part Numbering Scheme.....	15
13.2 Options .....	15
14 Contact .....	15



## 1 General Information

No.	Item	Contents	Unit
1	LCD size	4.3 inch (Diagonal)	/
2	LCD type	TN/Normally white/Transmissive	/
3	Viewing direction	12 O'clock	/
4	Gray scale inversion direction	6 O'clock	/
5	Resolution	480 *272 Pixels	/
6	Module size (W* H*T)	105.5*67.2*4.85	mm
7	Active area (W*H)	95.04*53.856	mm
8	Pixel pitch (W*H)	0.198*0.198	mm
9	Interface Type	RGB interface	/
10	Module power consumption	0.0792(Without backlight)	W
11	Back light Type	LED	/
12	Driver IC	ILI6480BQ or compatible	/
13	Weight	69	g

## 2 Absolute Maximum Ratings

Item	Symbol	Min	Max	Unit
Power supply voltage(LCD Module)	VDD	-0.5	5	V
Back-light current (normal temp.)	ILED	-	50	mA
Operation temperature	Top	-20	70	°C
Storage temperature	Tst	-30	80	°C
Humidity	RH	-	90%(Max60 °C)	RH

## 3 Electrical Characteristics

### DC Characteristics (at Ta=25 °C)

Item	Symbol	Min	Typ	Max	Unit
Power Supply Input Voltage	VDD	3.0	3.3	3.6	V
I/O logic voltage	VDDIO	1.8	-	3.3	V
Input voltage 'H' level	VIH	0.7VDD	-	VDD	V
Input voltage 'L' level	VIL	VSS	-	0.3VDD	V
Power Supply Current	IVDD	-	24	-	mA
TFT gate on voltage	VGH	-	N/A	-	V
TFT gate off voltage	VGL	-	N/A	-	V
Analog power supply voltage	AVDD	-	N/A	-	V
Differential input common mode voltage	Vcom	-	N/A	-	V

## 4 Backlight Characteristics

(at Ta=25 °C, RH=60%)

Item	Symbol	Min.	Typ.	Max.	Unit	Note
LED Forward Voltage	VF	-	15	-	V	IF=40mA
LED Forward Current	IF	-	40	-	mA	
LED power consumption	PLED	-	0.6	-	W	*Note
Number of LED	-		10		PCS	
Connection mode	-	5 in series, 2 in parallel			/	
LED Life-Time	-	20000	-	-	Hrs	**Note

**\*Note:** Calculate Value for reference ILED×VLED×LED Quantity = PLED

**\*\*Note:** The LED Life-time is defined as the estimated time to 50% degradation of initial brightness at Ta=25°C and IF =40mA. The LED lifetime could be decreased if operating IF is larger than 40mA, and increased if IF is less than 40mA.



## 5 Touch Panel Characteristics

(at Ta=25 °C)

Item	Description
IC solution on TP Model	GT911
Touch Count Max	5 point
Display Resolution*	480*272
Interface Type *	I2C
I2C Slave Address*	0x5D
Origin of Coordinate*	Top left corner

Parameter	Min	Typ	Max	Unit
Interface Signal Voltage*	1.8	3.3	3.6	V
Power Voltage*	2.6	3.3	3.6	V
Power ripple*	---	---	50	mV



# 6 External Dimensions

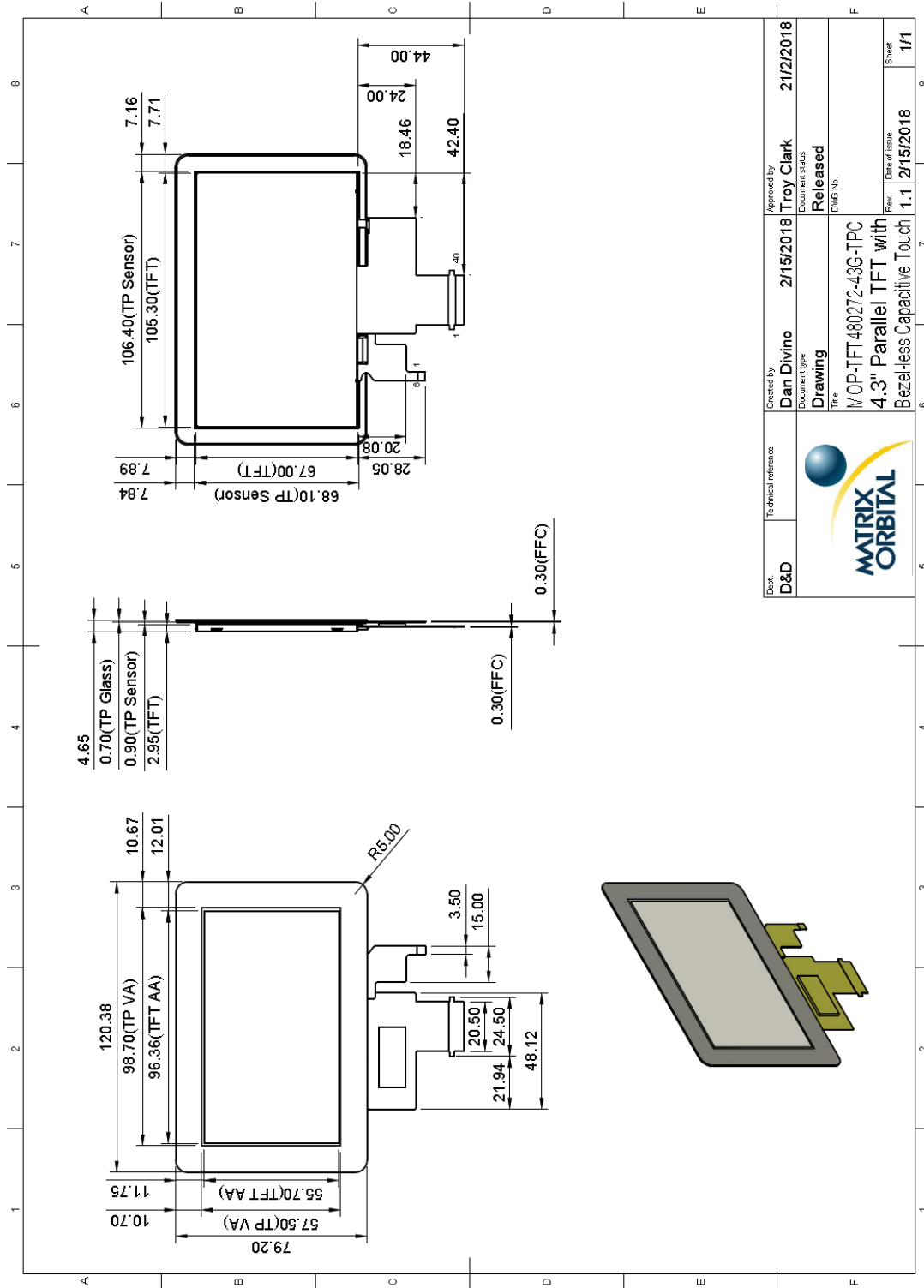


Figure 1: MOP-TFT480272-43G-BLM-TPC Drawing



## 7 Electro-Optical Characteristics

Item	Symbol	Condition	Min	Typ	Max	Unit	Remark	Note
Response time	Tr + Tf	-	-	15	24	ms	FIG.1	Note4
Contrast ratio	Cr		380	500	-	---	FIG 2.	Note1
Surface luminance	Lv	$\theta=0^\circ$	384	472	-	cd/m <sup>2</sup>	FIG 2.	Note2
Luminance uniformity	-	$\theta=0^\circ$	75	80	-	%	FIG 2.	Note3
NTSC	-	$\theta=0^\circ$	-	50	-	%	FIG 2.	Note5
Viewing angle	$\theta$	$\varnothing = 90^\circ$	60	70	-	deg	FIG 3.	Note6
		$\varnothing = 270^\circ$	40	50	-	deg	FIG 3.	
		$\varnothing = 0^\circ$	60	70	-	deg	FIG 3.	
		$\varnothing = 180^\circ$	60	70	-	deg	FIG 3.	
CIE (x, y) chromaticity	Red x	$\theta=0^\circ$ $\varnothing=0^\circ$ Ta=25°C	0.5344	0.5744	0.6144	-	FIG 2. CIE1931	Note5
	Red y		0.2963	0.3363	0.3763	-		
	Green x		0.3098	0.3498	0.3898	-		
	Green y		0.5595	0.5995	0.6395	-		
	Blue x		0.1032	0.1432	0.1832	-		
	Blue y		0.0607	0.1007	0.1407	-		
	White x		0.2792	0.3192	0.3592	-		
	White y		0.3145	0.3545	0.3945	-		

**\*Note 1:** Definition of contrast ratio

Contrast Ratio (CR) is defined mathematically by the following formula.

$$\text{CONTRAST RATIO} = \frac{\text{Luminance measured when LCD on the "White" State}}{\text{Luminance measured when LCD on the "Black" State}}$$

**\*Note 2:** Definition of surface luminance

Surface luminance is the LCD luminance from the surface with all pixels displaying white.

$$L_v = \text{Average Surface Luminance with all white pixels (P1, P2, P3 ... Pn)}$$

**\*Note 3:** Definition of luminance uniformity

The luminance uniformity in surface luminance (Yu) is determined by measuring luminance at each test position 1 through n, and then dividing the maximum luminance of n point's luminance by minimum luminance of n points luminance.

$$Y_u = \frac{\text{Minimum Surface Luminance with all white pixels (P1, P2, P3 ... Pn)}}{\text{Maximum Surface Luminance with all white pixels (P1, P2, P3 ... Pn)}}$$

**\*Note 4:** Definition of Response time

The response time is defined as the LCD optical switching time interval between "White" state and "Black" state. Rise time (TON) is the time between photo detector output intensity changed from 90% to 10%. And fall time (TOFF) is the time between photo detector output intensity changed from 10% to 90%.

**\*Note 5:** Definition of color chromaticity (CIE1931)

CIE (x, y) chromaticity, the x, y value is determined by screen active area center position P5.

**\*Note 6:** Definition of Viewing angle.

Viewing angle is the angle at which the contrast ratio is greater than 10. The angles are determined for the horizontal or x axis and the vertical or y axis with respect to the z axis which is normal to the LCD surface.

For Viewing angle and response time testing, the testing data is based on Autronic-Melchers's ConoScope or DMS series Instruments or compatible. For contrast ratio, Surface Luminance, Luminance uniformity and CIE, the testing data is based on TOPCON's BM-7 or BM-5 photo detector or compatible.

**\*Note 7:** For TFT module, Gray scale reverse occurs in the direction of panel viewing angle.



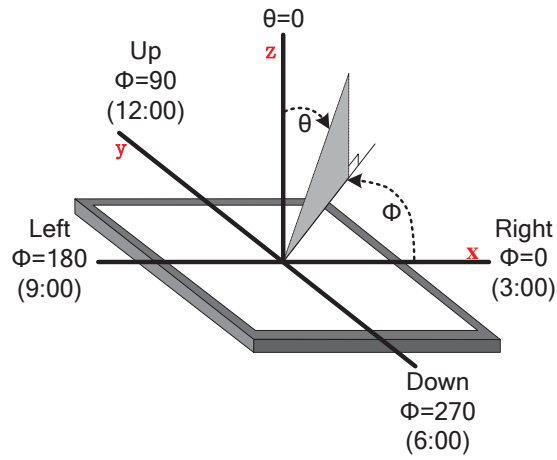


Figure 2: The definition of viewing angle

## 8 Interface Description

### 8.1 LCM Interface Description

Interface No.	Name	I/O Pin Connections	Description
1	LEDK	P	Power for LED backlight(Cathode)
2	LEDA	P	Power for LED backlight(Anode)
3	CS	I	Chip select pin
4	VDD	P	Power for LCD
5-12	Red(0-7)	I	Red data
13-20	Green(0-7)	I	Green data
21-28	Blue(0-7)	I	Blue data
29	GND	I	Ground
30	PCLK	I	Dot-clock signal
31	DISP	I	Display on/off
32	HSYNC	I	Horizontal sync input.
33	VSYNC	I	Vertical sync input
34	DEN	I	Data enable
35	SCL	I	Clock pin of serial interface
36	SDA	I/O	Data input pin in serial mode
37	XR(NC)	-	No connection
38	YD(NC)	-	No connection
39	XL(NC)	-	No connection
40	YU(NC)	-	No connection

### 8.2 CTP Interface Description

Interface No.	Name	I/O Pin Connections	Description
1	RESET	I	Reset low
2	VDD/VCC	P	Power Supply of CTP
3	GND	P	Ground
4	INT	O	State change interrupt
5	SCL	I	Serial interface clock
6	SDA	I/O	Serial interface date





# 9 AC Characteristics

## 9.1 Pixel Timing

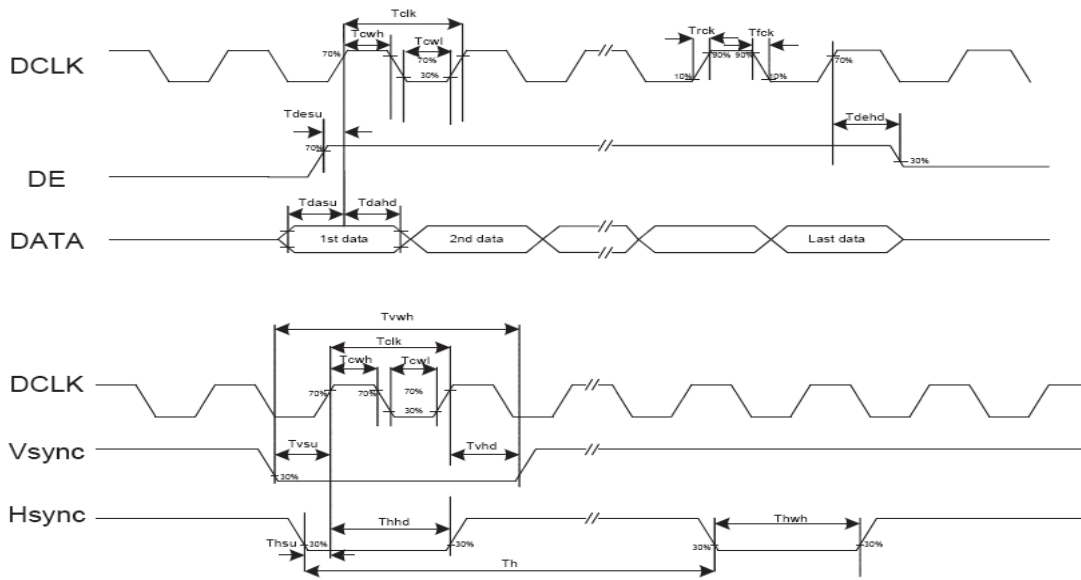


Figure 3:Pixel Timing

Input Output Timing						
DLCK clock time	Tclk	33.3	-	-	ns	DCLK = 30MHZ
DLCK clock low period	Tcwl	40	-	60	%	
DLCK clock high period	Tcwh	40	-	60	%	
Clock rising time	Trck	9	-	-	ns	
Clock falling time	Tfck	9	-	-	ns	
HSD width	Thwh	1	-	-	DCLK	
HSD period time	Th	55	60	65	μs	
HSD setup time	Thsu	12	-	-	ns	
HSD hold time	Thhd	12	-	-	ns	
VSD width	Tvwh	1	-	-	Th	
VSD setup time	Tvsu	12	-	-	ns	
VSD hold time	Tvhd	12	-	-	ns	
Data setup time	Tdasu	12	-	-	ns	
Data hold time	Tdahd	12	-	-	ns	
DE setup time	Tdesu	12	-	-	ns	
DE hold time	Tdehd	12	-	-	ns	
Time from VSD to 1 <sup>st</sup> line data input	Tvs	3	8	31	TH	HV mode By HDL[4:0] setting

## 9.2 Data Timing

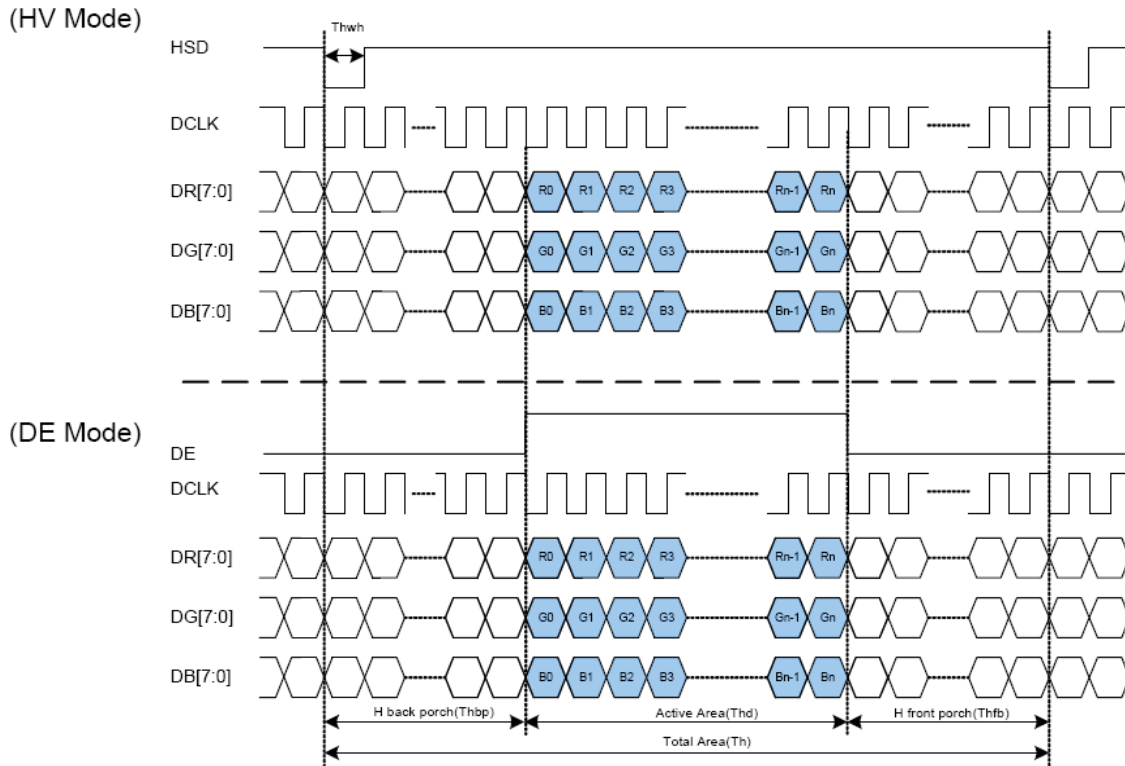


Figure 4: Data Transaction Timing in Parallel RGB (24Bit) interface (SYNC Mode)

Parameter	Symbol	Value			Unit
		Min.	Typ.	Max.	
DCLK frequency	fclk	5	9	12	MHz
VSD period time	Tv	277	288	400	H
VSD display area	Tvd	272			H
VSD back porch	Tvb	3	8	31	H
VSD front porch	Tvfp	2	8	97	H
HSD period time	Th	520	525	800	DCLK
HSD display area	Thd	480			DCLK
HSD back porch	Thbp	36	40	255	DCLK
HSD front porch	Thfp	4	5	65	DCLK



# 10 Power Sequence

## 10.1 Power Up Sequence

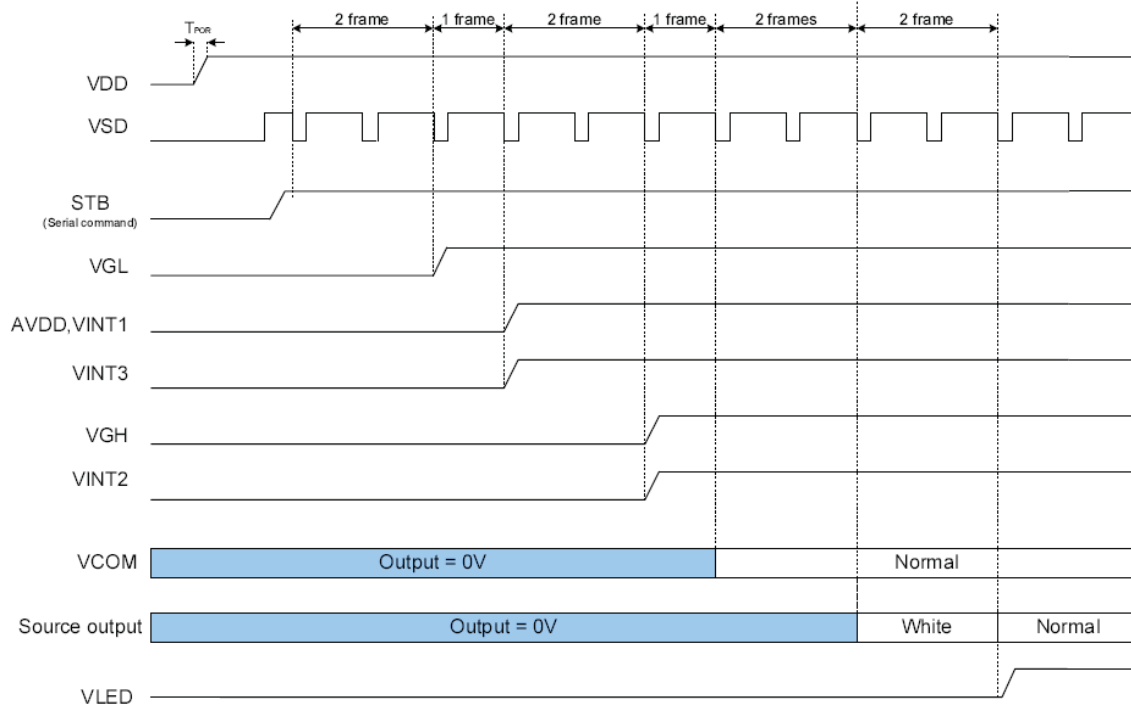


Figure 5: Power On Sequence

## 10.2 Power Down Sequence

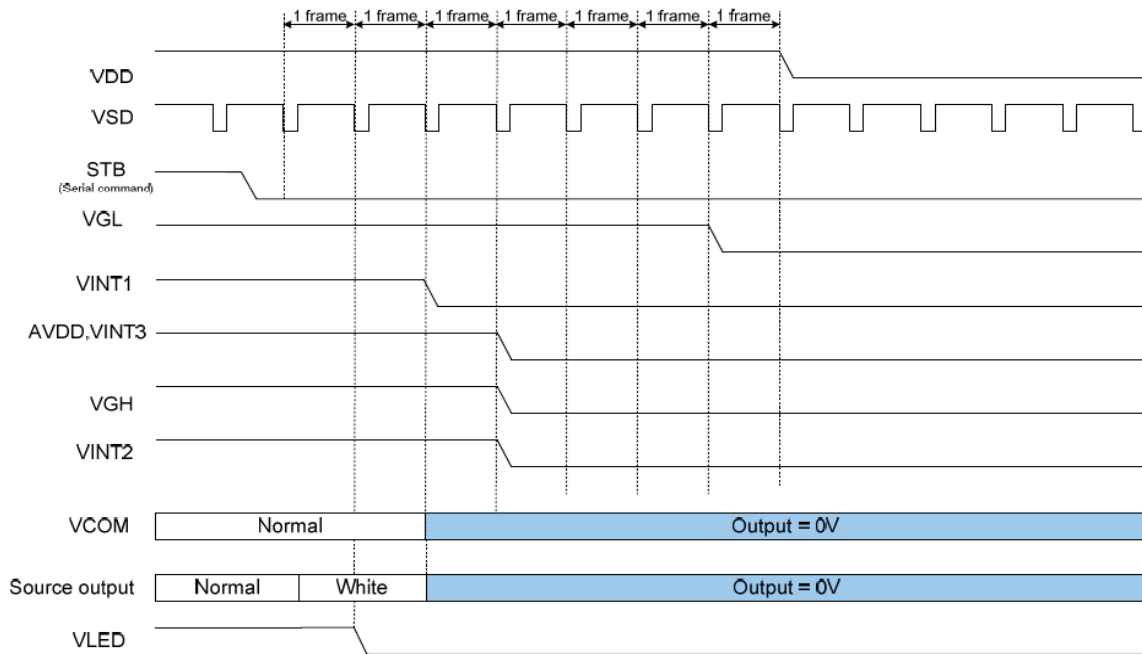


Figure 6: Power Off Sequence



# 11 Inspection Criterion

## 11.1 Description

This specification is made to be used as the standard acceptance/rejection criteria for the MOP-TFT480272-43G-BLM-TPC.

## 11.2 Sample plan

Sampling plan according to GB/T2828.1-2003/ISO 2859-1: 1999 and ANSI/ASQC Z1.4-1993, normal level 2 and based on:

Major defect: AQL 0.65

Minor defect: AQL 1.5

## 11.3 Inspection condition

- Viewing distance for cosmetic inspection is about 30±5cm with bare eyes, and under a 600~1000lux environment for visual inspection and 0~200lux for function test. All directions for inspecting the sample should be within 45° against perpendicular line. (Normal temperature 18~28°C and normal humidity 60±15%RH).
- During testing, the LCD is driven using the voltage level (Within ±0.5V of the typical value at 25°C.) that provides the most optical contrast

## 11.4 Definition of inspection zone in LCD

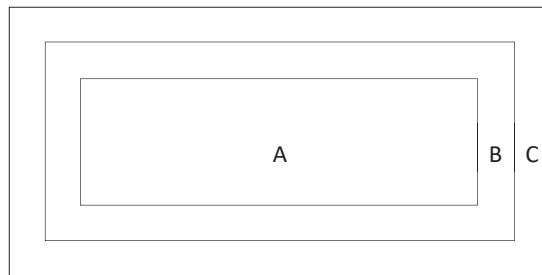


Figure 7: Inspection Zones in an LCD

Zone A: character/Digit area

Zone B: viewing area except Zone A (ZoneA + ZoneB=minimum Viewing area)

Zone C: Outside viewing area (invisible area after assembly in customer’s product)

**\*Note:** As a general rule, visual defects in Zone C are permissible, if it does not affect display quality and assembly of customer’s product

## 11.5 Function Defect

Items to be inspected	Inspection criterion	Classification of defects
All functional defects	1) No display 2) Display abnormally 3) Missing vertical, horizontal segment 4) Short circuit 5) Back-light no lighting, flickering and abnormal lighting. 6) obvious striation 7) Current beyond specification value	MA
Missing	Missing component	
Outline dimension	Overall outline dimension exceed the drawing is not allowed.	



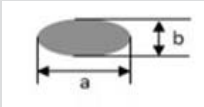
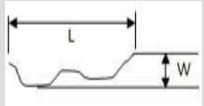
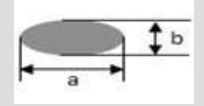
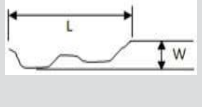
## 11.6 LCD pixel defect

(bad dot) (defect type: MI)

Checking item	Judgment criterion
Color bad dot-bright dot(R,G,B)	1
two adjacent bright point	0
three or more adjacent point	0
total points for bad dot-bright dot	1
Bad dot-dark dot	2
two adjacent dark point	1
three or more adjacent point	0
total points for bad dot -dark dot	3
patch bright dot	Invisible with ND5%, it is OK.

## 11.7 Dot and line defect

(defect type: MI)

Checking item	Judgment criterion			Figure
	Diameter(mm)\LCD Size		S ≤5.0 Inch	
Dot defect	D ≤0.1		allowed	 $D=(a+b)/2$
	0.1 < D ≤ 0.2		4	
	0.2 < D ≤ 0.3		0	
	0.3 < D ≤ 0.5		0	
	D > 0.5		0	
	the distance between the two defect dot: DS ≥ 5mm			
line defect	Length(mm)	Width(mm)	Judgement Criterion	
	disregard	W ≤ 0.05	allowed	
	L ≤ 5	0.05 < W ≤ 0.1	4	
	L > 5	W > 0.1	0	
Concave point and air bubble for polarizer	Size(mm)		Judgement Criterion	 $D=(a+b)/2$
	D ≤ 0.3		allowed	
	0.3 < D ≤ 1.0		3	
	1.0 < D ≤ 1.5		1	
	D > 1.5		0	
Fold mark, linear scar for polarizer	Length(mm)	Width(mm)	Judgement Criterion	
	disregard	W ≤ 0.05	allowed	
	1 < L ≤ 5	0.05 < W ≤ 0.2	3	
	L > 5	W > 0.2	0	
<p><b>*Notes:</b></p> <ol style="list-style-type: none"> <li>1. If the fold mark and linear scar for polarizer is visible with operating condition, the defect is judged with line judge</li> <li>2. If the fold mark and linear scar for polarizer is visible with non-operating condition, the defect is judged with the above judgment standard.</li> </ol>				

## 12 Handling Precautions

### 12.1 Mounting method

Do not make extra holes in the display or modify its shape. When mounting the display, ensure that the display does not flex, bend or twist. Extreme care should be used when handling the LCD modules.

### 12.2 LCD Handling and Cleaning Precaution

To clean the display surface, it is recommended to wipe lightly using a soft cloth with either Isopropyl alcohol or Ethyl alcohol.

Do not wipe the display surface with dry or hard materials as it may damage the polarizer surface.

Do not use Water or Aromatics to clean the display.

Do not wipe ITO pad area with dry or hard materials that will damage the ITO patterns

Do not use the Soldering flux, Chlorine(Cl), and Sulfur(S) on the pad or prevent it from being contaminated.

If the display is sent without applying a silicon coat on the pad, the ITO patterns could be damaged due to corrosion as time goes on.

If ITO corrosion occurs due to customer miss-handling, or if the customer applies materials such as Chlorine (Cl), Sulfur (S) to the display, the responsibility is placed the customer.

### 12.3 Static Charge Precaution

The LCD module uses CMOS LSI drivers, so we recommend that you:

- Connect any unused input terminal to VDD or VSS
- Do not input any signals before power is turned on
- Ground your body, work/assembly areas, and assembly equipment to protect against static electricity.

### 12.4 Packing

The module employs LCD elements and must be treated as such.

- Avoid intense shock and falls from a height.
- To prevent modules from degradation, do not operate or store them exposed direct to sunshine or high temperature/humidity

### 12.5 Precautions during Operation

- It is an indispensable condition to drive the LCD module within the specified voltage limits. Applying voltage higher than the limit will reduce the life span of the LCD.
- Using direct drive current should be avoided, as it will induce an electrochemical reaction causing undesirable deterioration.
- The LCD's response time will be delayed when operating at a temperature lower than the suggested operating range. When operating at a temperature higher than the suggested range, the LCD will be noticeably darker. The display will return to normal when it is brought back to the specified operation temperature.
- If the display area is pushed hard during operation, some font may be abnormally drawn but the LCD will return to normal after it is reset.
- Slight dew depositing on terminals can cause an electro-chemical reaction, damaging traces and resulting in an open circuit.

Usage under the maximum operating temperature, 50%Rh or less is required



## 12.6 Storage Recommendations

When storing the LCD for a prolonged period of time, the following recommendations will help prevent damage or deterioration

- Store the display in an ambient temperature range between 10°C to 30°C, and in a relative humidity of 45% to 75%.
- Do not leave the display exposed to sunlight or fluorescent light.
- Place the display in a polyethylene bag with the opening sealed.
- Ensure that nothing is making contact with the polarizer surface.
- It is recommended to store them in the same packaging that was provided upon purchase

## 12.7 Safety Precautions

In the case that the LCD glass has shattered, it is recommended to remove any glass pieces, wash off the liquid crystal using either acetone or ethanol, and proceed to burn any remaining display pieces.

If any liquid leaked out of a damaged glass cell, and comes in contact with your hands, please wash it off well with soap and water



## 13 Ordering

### 13.1 Part Numbering Scheme

Table 1: Parallel TFT Part Numbering Scheme

MOP	TFT	480	272	43	G	BLM	TPC
1	2	3	4	5	6	7	8

### 13.2 Options

Table 2: Parallel Part Options

#	Designator	Options
1	Product Line	MOP: Matrix Orbital Parallel Display
2	Screen Type	TFT: Graphic TFT
3	Display Columns	480: Four Hundred Eighty Pixel Columns
4	Display Rows	272: Two Hundred Seventy Two Pixel Rows
5	Display Size	43: 4.3"
6	Display Form Factor	G: G Form Factor
7	Brightness Level	-BLS: Brightness < 300 Nit -BLM: 300 Nit < Brightness < 600 Nit -BLH: 600 Nit < Brightness < 1000 Nit -BLD: Brightness > 1000 Nit
8	Touch Panel Type	TPN: None TPR: Resistive TPC: Capacitive

## 14 Contact

### Sales

Phone: 403.229.2737

Email: [sales@matrixorbital.ca](mailto:sales@matrixorbital.ca)

### Support

Phone: 403.204.3750

Email: [support@matrixorbital.ca](mailto:support@matrixorbital.ca)

### Online

Purchasing: [www.matrixorbital.com](http://www.matrixorbital.com)

Support: [www.matrixorbital.ca](http://www.matrixorbital.ca)





Компания «Life Electronics» занимается поставками электронных компонентов импортного и отечественного производства от производителей и со складов крупных дистрибьюторов Европы, Америки и Азии.

С конца 2013 года компания активно расширяет линейку поставок компонентов по направлению коаксиальный кабель, кварцевые генераторы и конденсаторы (керамические, пленочные, электролитические), за счёт заключения дистрибьюторских договоров

Мы предлагаем:

- Конкурентоспособные цены и скидки постоянным клиентам.
- Специальные условия для постоянных клиентов.
- Подбор аналогов.
- Поставку компонентов в любых объемах, удовлетворяющих вашим потребностям.
- Приемлемые сроки поставки, возможна ускоренная поставка.
- Доставку товара в любую точку России и стран СНГ.
- Комплексную поставку.
- Работу по проектам и поставку образцов.
- Формирование склада под заказчика.
- Сертификаты соответствия на поставляемую продукцию (по желанию клиента).
- Тестирование поставляемой продукции.
- Поставку компонентов, требующих военную и космическую приемку.
- Входной контроль качества.
- Наличие сертификата ISO.

В составе нашей компании организован Конструкторский отдел, призванный помогать разработчикам, и инженерам.

Конструкторский отдел помогает осуществить:

- Регистрацию проекта у производителя компонентов.
- Техническую поддержку проекта.
- Защиту от снятия компонента с производства.
- Оценку стоимости проекта по компонентам.
- Изготовление тестовой платы монтаж и пусконаладочные работы.



Тел: +7 (812) 336 43 04 (многоканальный)

Email: [org@lifeelectronics.ru](mailto:org@lifeelectronics.ru)