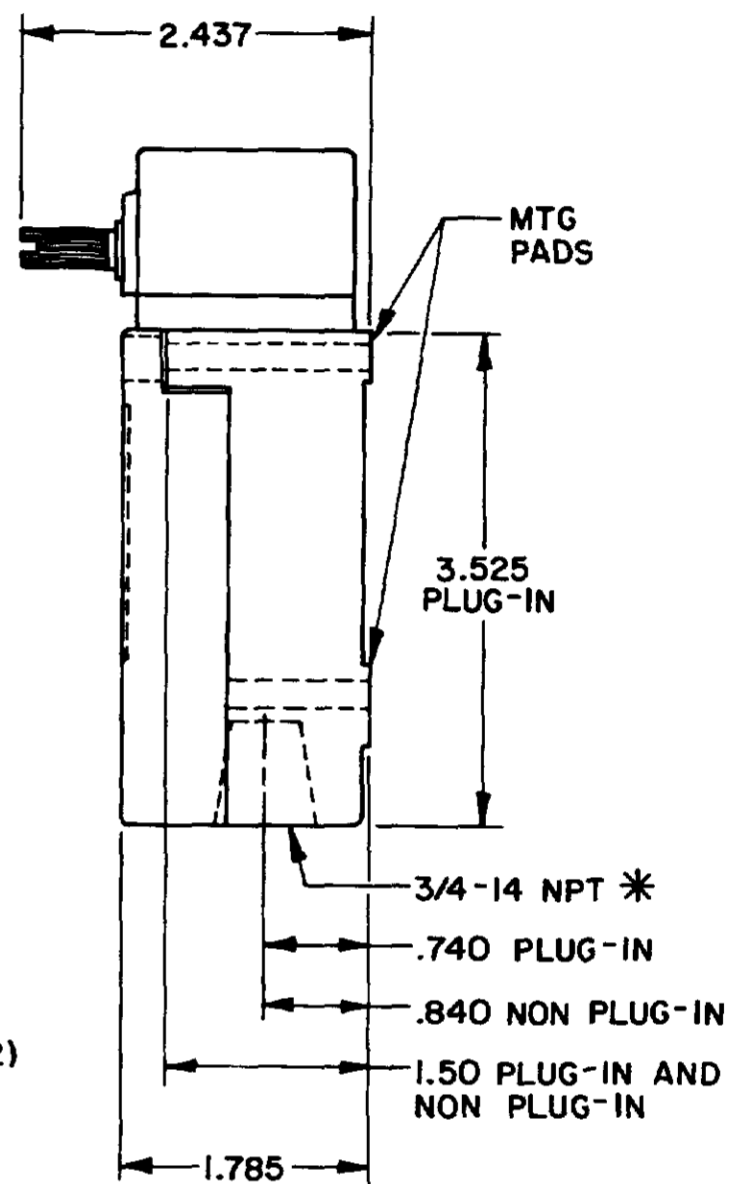
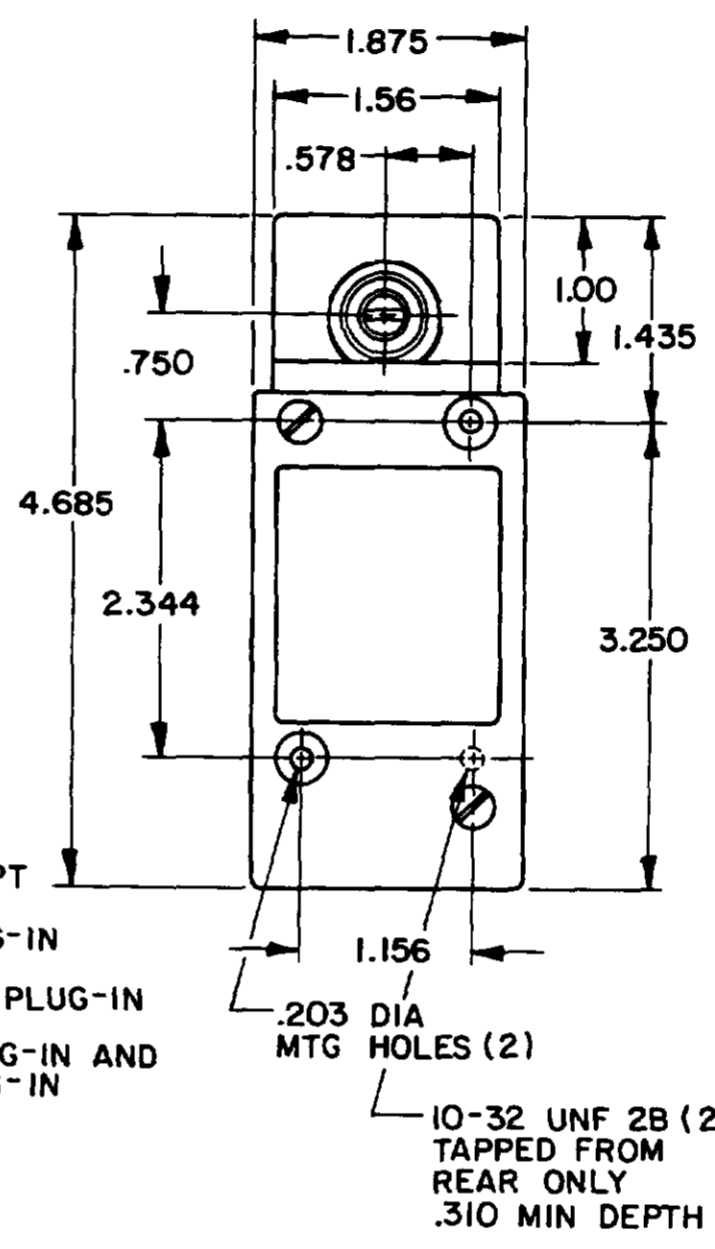
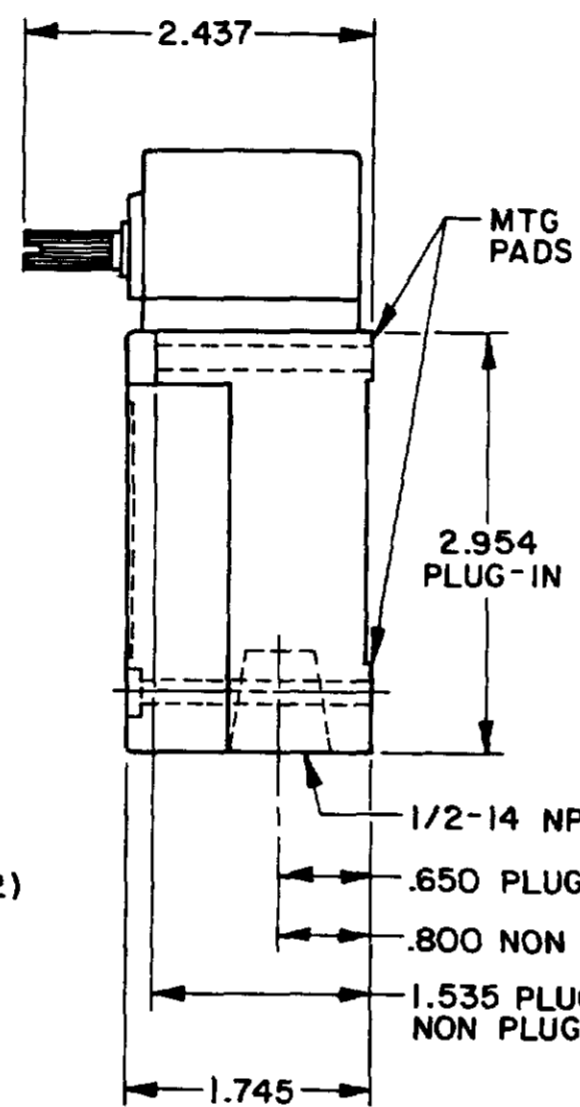
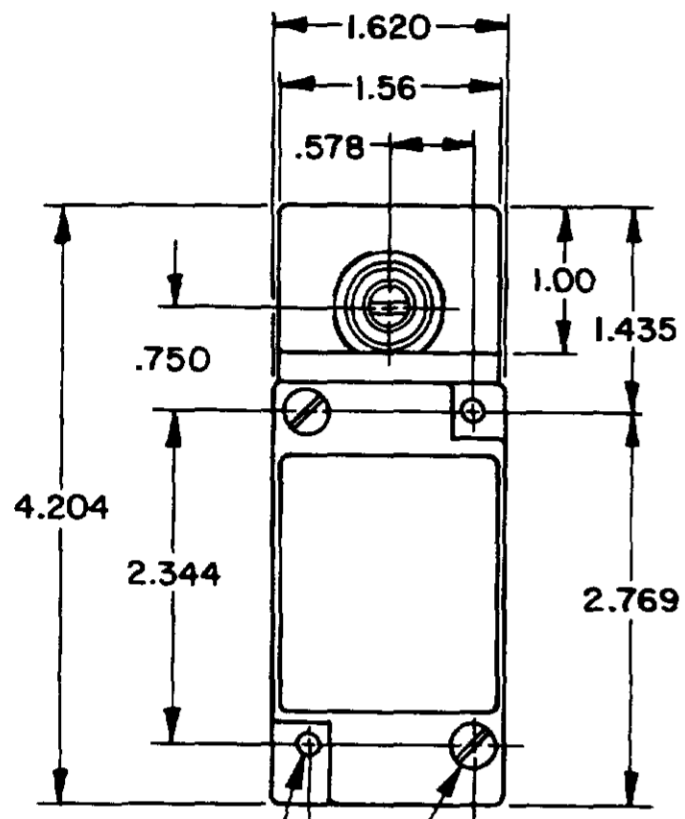


OPERATING CHARACTERISTICS	LSYA MOMENTARY		LSYR MOMENTARY LOW TORQUE		LSYN MAINTAINED	LSYP MOMENTARY LOW PRETRAVEL AND DIFF. TRAVEL		LSYH MOMENTARY LOW PRETRAVEL AND LOW TORQUE		LSYL SEQUENCE DOUBLE POLE ONLY	LSYM CENTER NEUTRAL DOUBLE POLE ONLY	LSYS GRAVITY RETURN	LSYU LOW PRETRAVEL	
	SINGLE POLE	DOUBLE POLE	SINGLE POLE	DOUBLE POLE		SINGLE POLE	DOUBLE POLE	SINGLE POLE	DOUBLE POLE				SGL POLE	DBL POLE
PRETRAVEL(MAX)	15°	15°	15°	15°	65°	9°	9°	9°	9°	1ST STEP 15° 2ND STEP 10° ADD'L	18°	NOT APPLICABLE	5°	
OVERTRAVEL(MIN)	60°	60°	60°	60°	20°	68°	68°	68°	68°	48°	57°	NOT APPLICABLE	70°	
DIFFERENTIAL TRAVEL(MAX)	5°	7°	5°	7°	40°	3°	4°	3°	4°	5°	10°	12°	3°	4°
TOTAL TRAVEL (REF)	75°	75°	75°	75°	90°	75°	75°	75°	75°	75°	75°	360°	75°	
OPERATING TORQUE(MAX)	4 IN. LBS	4 IN. LBS	1.7 IN. LBS	1.7 IN. LBS	4 IN. LBS	4 IN. LBS	4 IN. LBS	1.7 IN. LBS	1.7 IN. LBS	4 IN. LBS	4 IN. LBS	5 IN-OZ	4 IN. LBS	
FULL TRAVEL TORQUE(MAX)	4 IN. LBS	4 IN. LBS	1.7 IN. LBS	1.7 IN. LBS		4 IN. LBS	4 IN. LBS	1.7 IN. LBS	1.7 IN. LBS	4 IN. LBS	4 IN. LBS	5 IN-OZ	4 IN. LBS	

SIDE ROTARY

SINGLE POLE

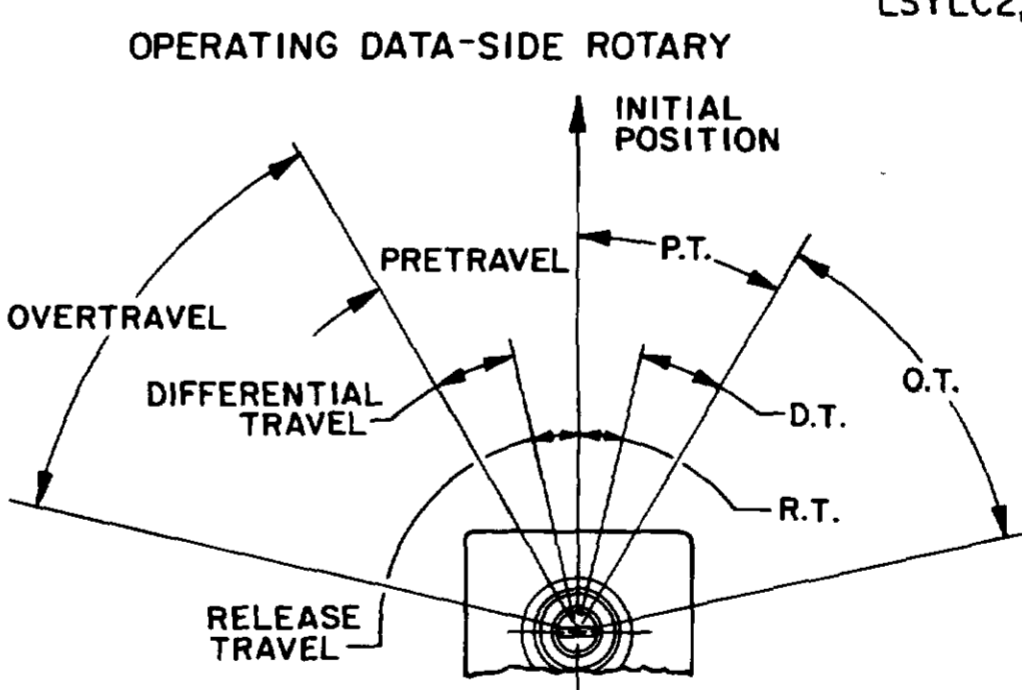
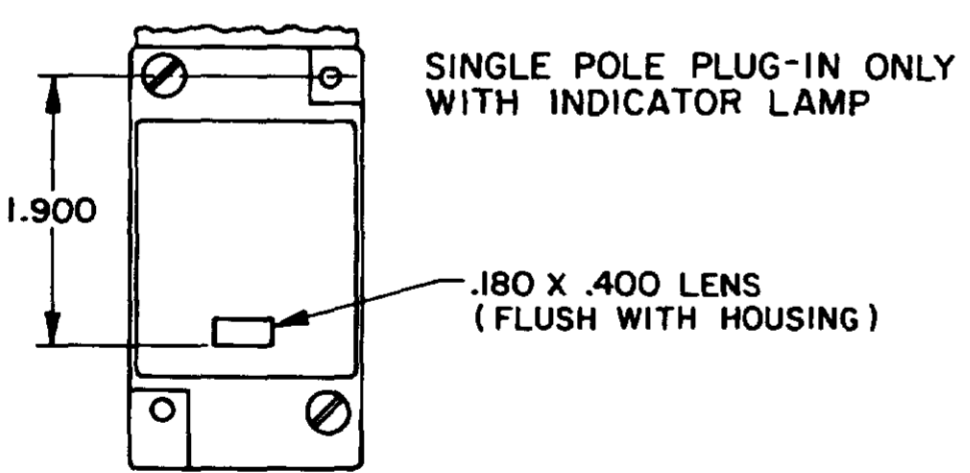
DOUBLE POLE



FLOUROSILICONE SEALS: LSYABI, LSYHBI, LSYNBI, LSYBBI, LSYRBI, LSYHB3, LSYPB3, LSYRB3, LSYSB1
 VITON: LSYAC1, LSYHCI, LSYNC1, LSYPC1, LSYRC1, LSYAC3, LSYHC3, LSYNC3, LSYPC3, LSYRC3, LSYSC1

FLOUROSILICONE SEALS: LSYAB2, LSYHB2, LSYMB2, LSYNB2, LSYPB2, LSYRB2, LSYAB4, LSYHB4, LSYMB4, LSYNB4, LSYPB4, LSYRB4
 * (LSYAB6, LSYHB6, LSYMB6, LSYNB6, LSYPB6, LSYRB6, LSYAB7, LSYHB7, LSYMB7, LSYNB7, LSYPB7, LSYRB7 HAVE 1/2-14 CONDUIT HOLE)

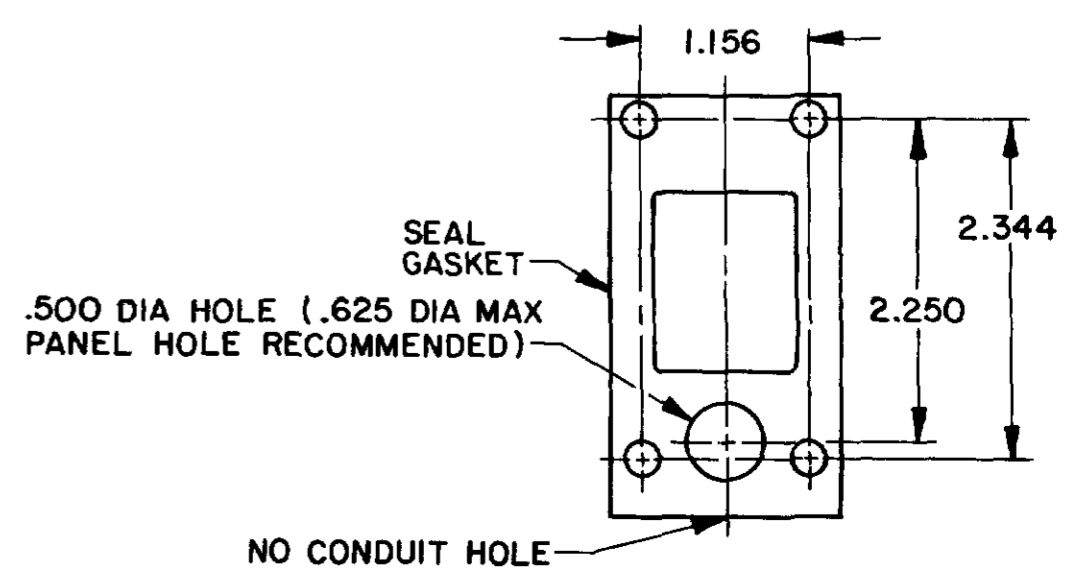
VITON SEALS: LSYAC2, LSYHC2, LSYNC2, LSYPC2, LSYRC2, LSYAC4, LSYHC4, LSYNC4, LSYPC4, LSYRC4, LSYMC2, LSYMC4, LSYMC6, LSYMC7, LSYLC2, LSYLC4, LSYLC6, LSYLC7



120 LAMP VOLTAGE -
 TYPE LSYAB5, LSYHB5, LSYNB5, LSYPB5, LSYRB5, LSYAC5, LSYHC5, LSYNC5, LSYPC5, LSYRC5
 240 LAMP VOLTAGE -
 TYPE LSYAB8, LSYHB8, LSYNB8, LSYPB8, LSYRB8, LSYAC8, LSYHC8, LSYNC8, LSYPC8, LSYRC8

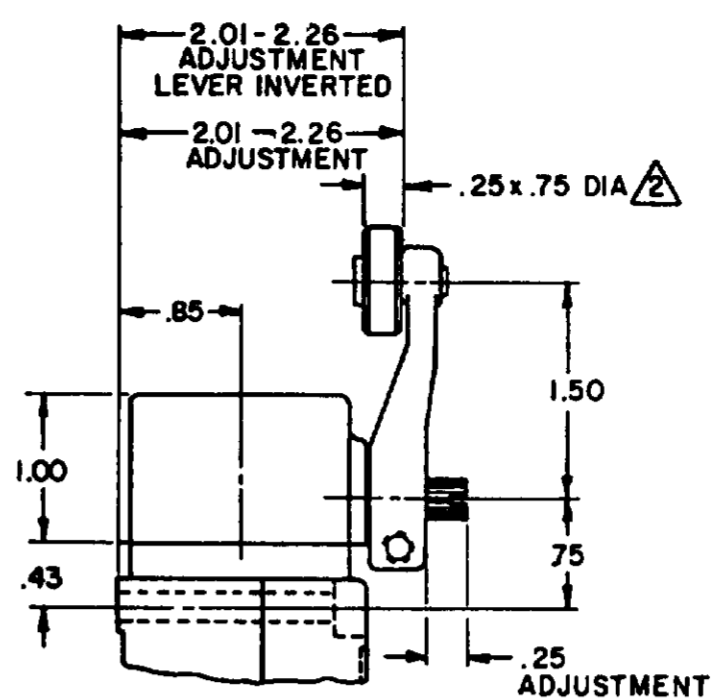
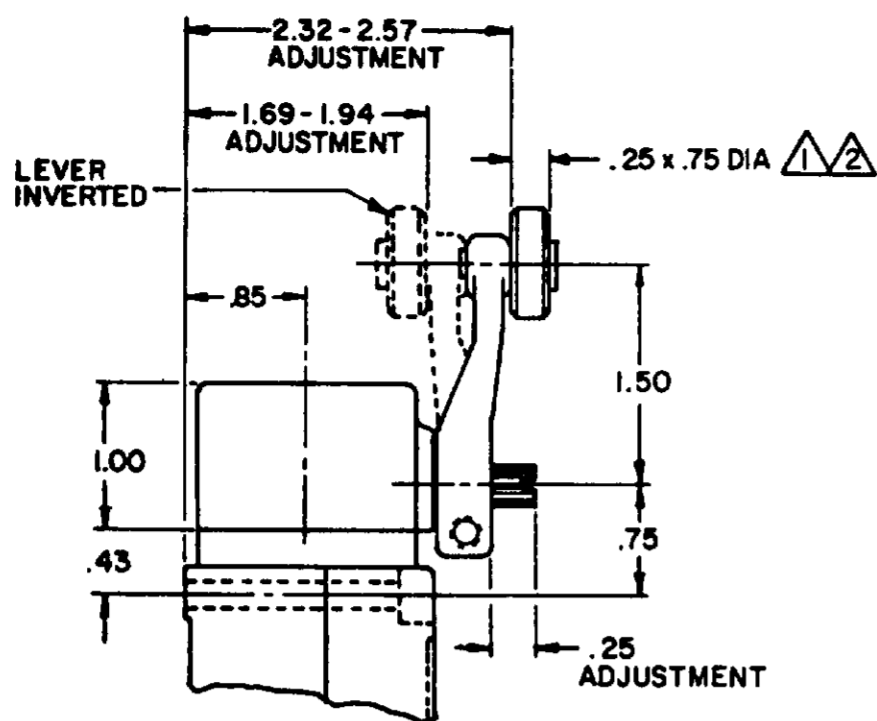
NOTE
 1 - ALL UNITS AVAILABLE WITH FLUOROSILICONE AND VITON SEALS

MANIFOLD MOUNT (PLUG-IN ONLY)
 SINGLE POLE AND DOUBLE POLE
 TYPE LSYA THROUGH LSYW SERIES

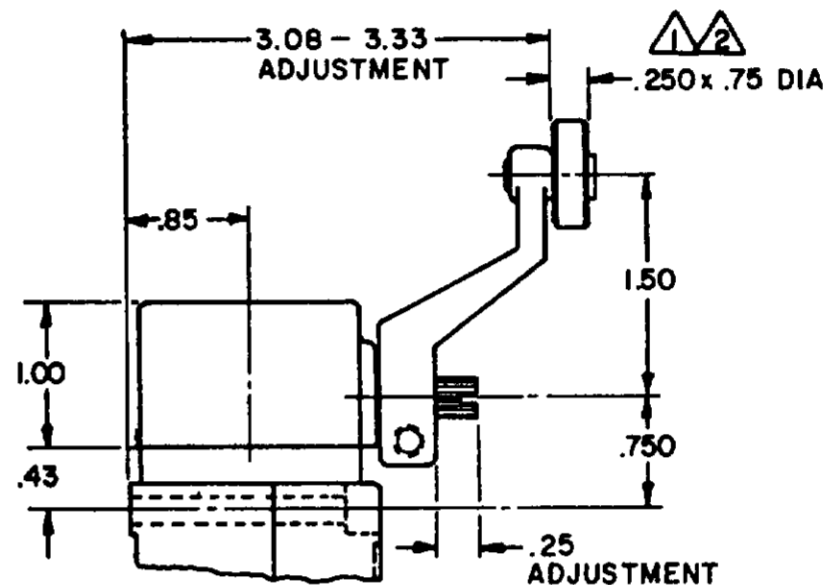
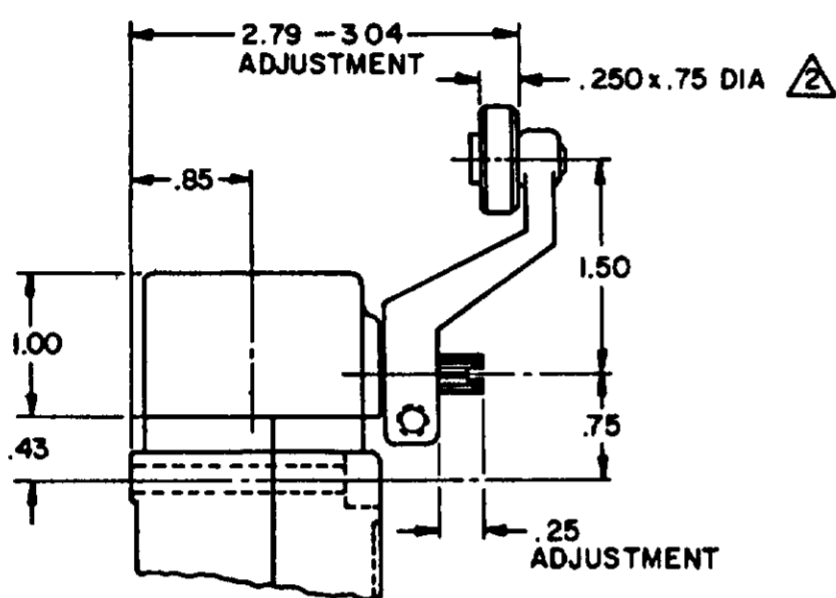


MICRO SWITCH
 THIS DRAWING COVERS A PROPRIETARY ITEM AND IS THE PROPERTY OF MICRO SWITCH, A DIVISION OF FREEPORT ELECTRONICS U.S.A. A DIVISION OF THE HONEYWELL GROUP.
 SWITCH-ENCLOSED
 LSY SERIES
 CHART 1

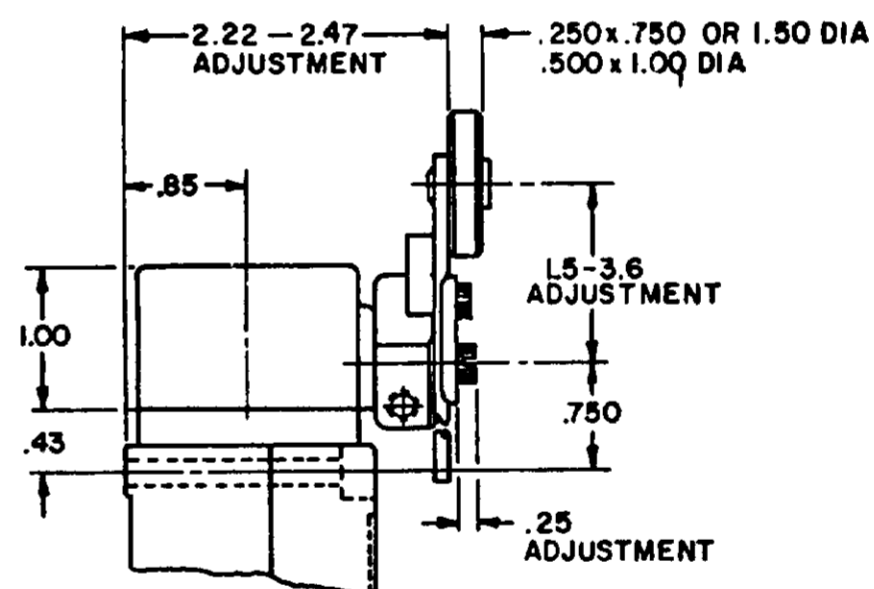
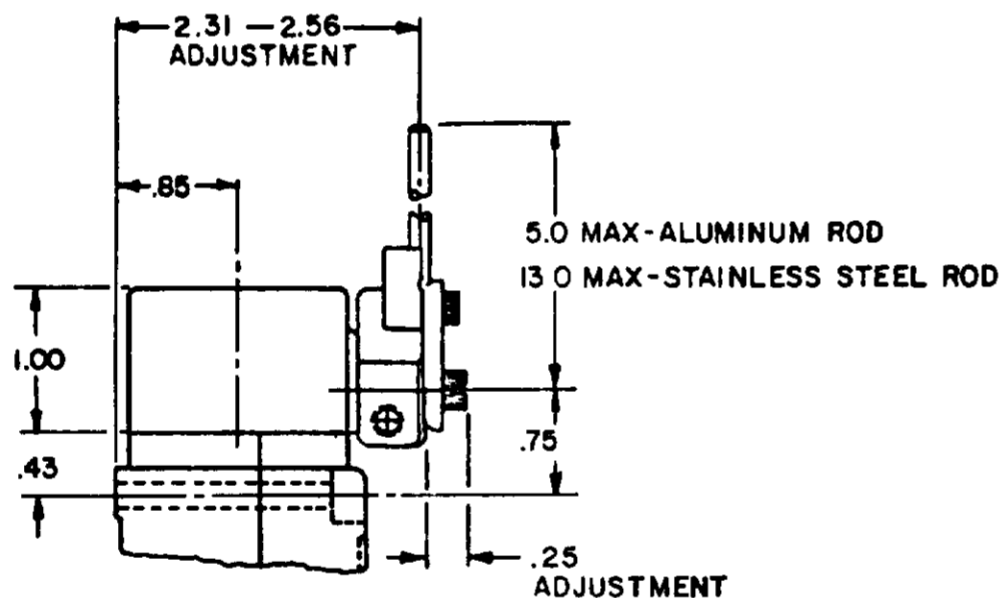
SIDE ROTARY CAM TRACKING



LSZ51 TYPE LEVERS

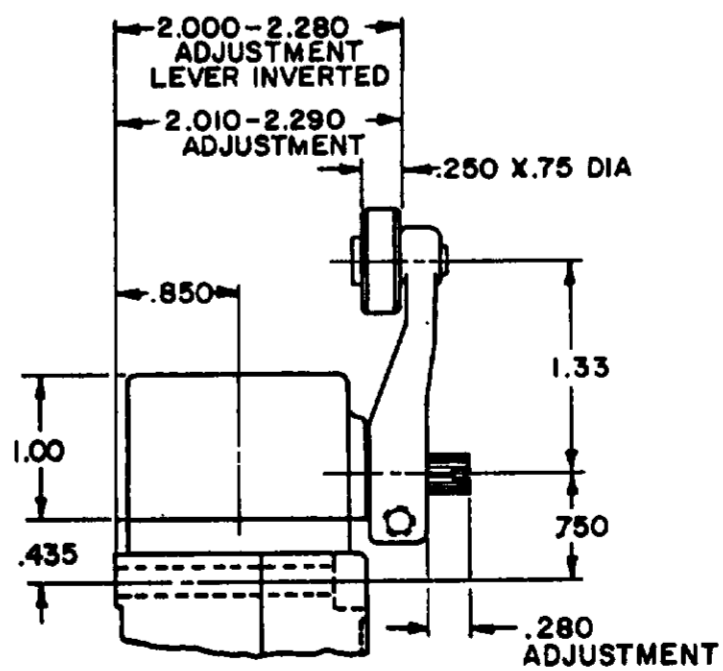
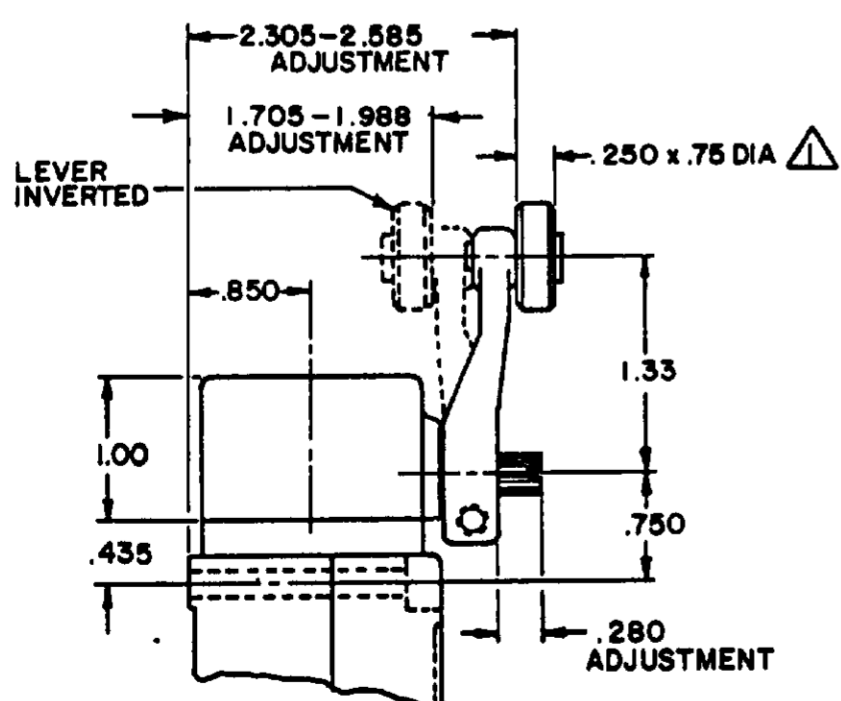


LSZ55 TYPE LEVERS



LSZ54 TYPE LEVER

LSZ52 TYPE LEVER



LSZ59 TYPE LEVERS

NOTES

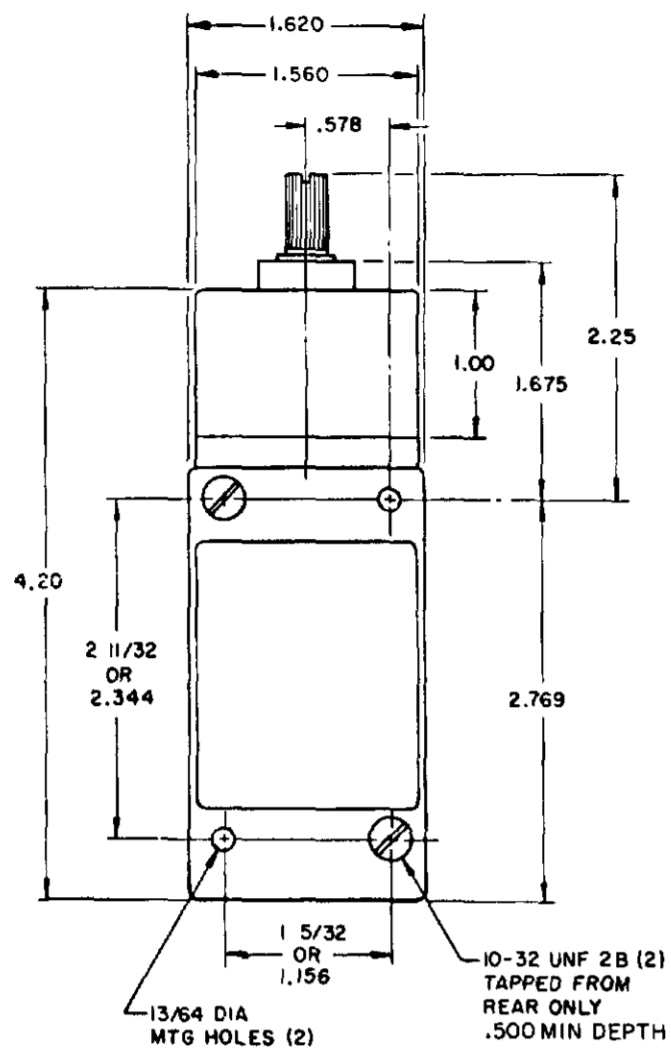
- ▲ ALSO AVAILABLE IN .250 X 1.500 DIA NYLON, BUT LEVER CANNOT BE INVERTED
- ▲ FOR ADDITIONAL ROLLER WIDTHS AND/OR DIAMETERS REFER TO (M)
- 3 - FOR ADDITIONAL TYPES OF ROLLERS AND LEVERS REFER TO LSZ CHART 1 (M)

MICRO SWITCH
 a Honeywell Division
 THIS DRAWING COVERS A PROPRIETARY ITEM AND IS THE PROPERTY OF MICRO SWITCH A DIVISION OF HONEYWELL. THIS DRAWING IS NOT TO BE COPIED OR USED WITHOUT THE APPROVAL OF MICRO SWITCH CATALOG LISTING
 CHART 1
 LSY SERIES

THIRD ANGLE PROJECTION
 SCALE NONE
 DO NOT SCALE PRINT
 UNLESS OTHERWISE SPECIFIED TOLERANCES ARE:
 ONE PLACE (.0) ± .030
 TWO PLACE (.00) ± .015
 THREE PLACE (.000) ± .005
 ANGLES ±

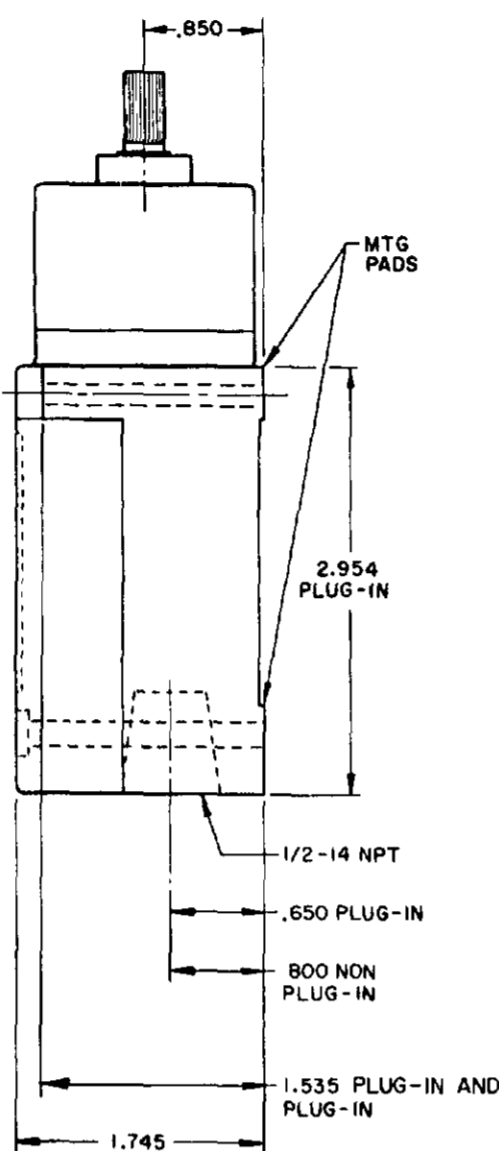
TOP ROTARY

SINGLE POLE

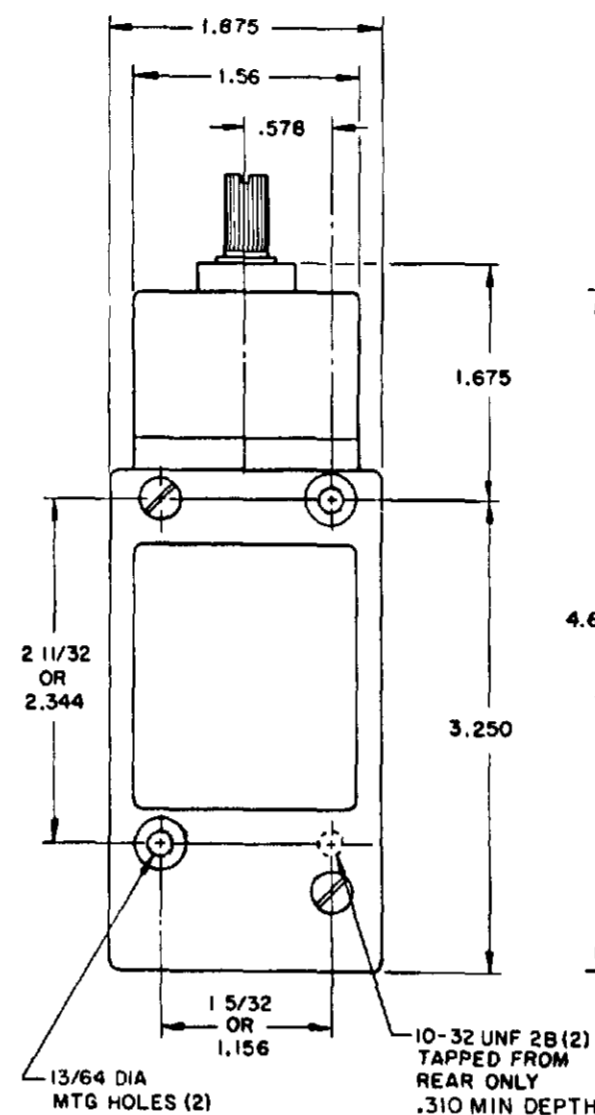


FLOUROSILICONE SEALS
LSYBBI & LSYBB3

VITON SEALS
LSYBCI & LSYBC3



DOUBLE POLE



FLOUROSILICONE SEALS
LSYBB2 & LSYBB4
LSYBB6 & LSYBB7 HAVE 1/2-14NPT
CONDUIT HOLE

VITON SEALS
LSYBC2 & LSYBC4, LSYBC6 & LSYBC7
HAVE 1/2-14NPT CONDUIT HOLE

PRETRAVEL MAX	SINGLE POLE 25°	DOUBLE POLE 25°
OVERTRAVEL MIN	110°	110°
DIFFERENTIAL TRAVEL MAX	10°	12°
OPERATING TORQUE MAX	2.5 IN. LBS	2.5 IN. LBS
TOTAL TRAVEL (REF)	135°	135°

ELECTRICAL RATINGS

10 AMP CONT.

A.C. VOLTAGE	AMPS AT .35 POWER FACTOR			
	SINGL. POL.		DOUBL. POL.	
	MAKE	BREAK	MAKE	BREAK
120	60	6	10	3
240	30	3	15	1.5
480	15	1.5	7.5	.75
600	12	1.2	6	.6

D.C. VOLTAGE	MAKE & BREAK INDUCTIVE	RESISTIVE
120	0.25	0.80
240	0.15	0.40

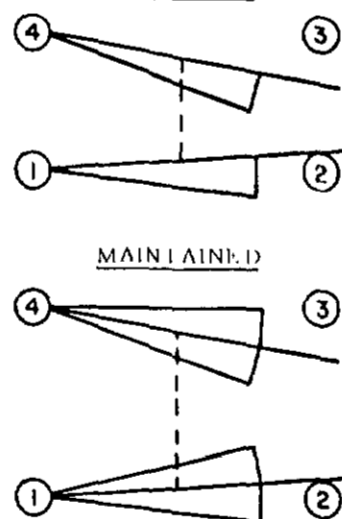
ELECTRONIC DUTY BASIC SWITCH
10 AMP CONT.

VOLTAGE	MAKE AND BREAK AMPS
5 AC OR DC MIN	.01 AMP MIN
600 AC	720 VA
240 DC	30 WATT

WIRING BASIC SWITCH (SAME POLARITY MUST BE OBSERVED FOR EACH POLE)

SINGLE POLE

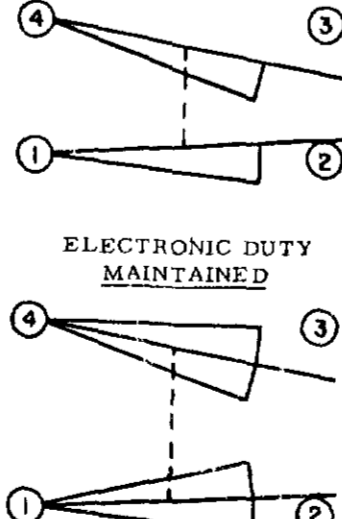
MOMENTARY



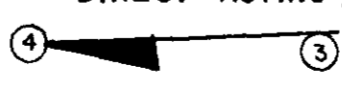
SINGLE POLE

ELECTRONIC DUTY

MOMENTARY

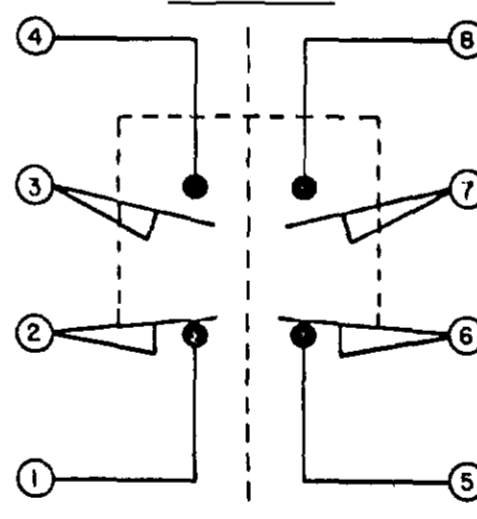


DIRECT ACTING

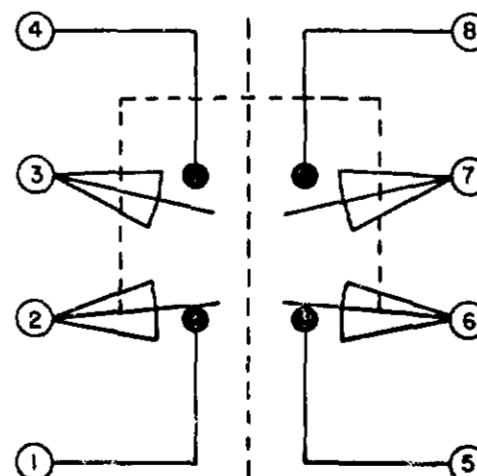


DOUBLE POLE

MOMENTARY



MAINTAINED



DIRECT ACTING (ALSO RATED AT A.C. 10 AMP CONT.)

D.C. VOLTAGE	MAKE AND BREAK AMPS	
	INDUCTIVE	RESISTIVE
30	4.2	4.2
120	1.1	1.1
240	.55	.55

NOTES:
1 - ALL UNITS AVAILABLE WITH
FLOUROSILICONE AND VITON SEALS

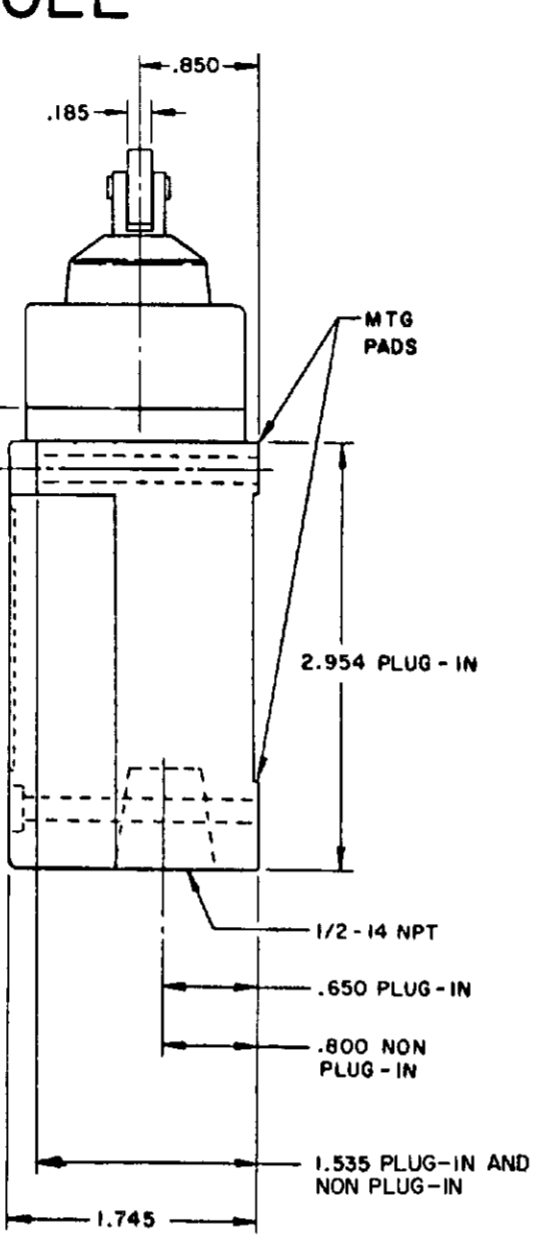
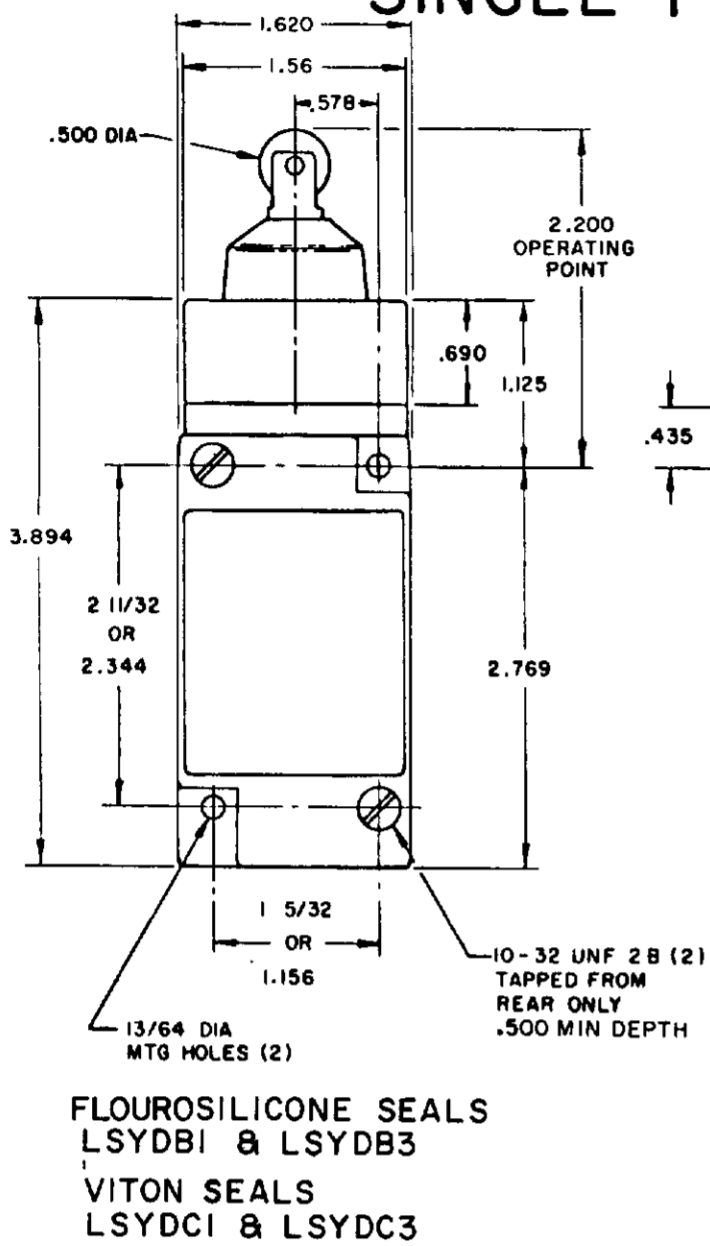
2 DIFFERENTIAL TRAVEL ON ALL
OPERATING CHARACTERISTICS NOT
APPLICABLE

MICRO SWITCH
 FREEMONT, ILL. U.S.A.
 A DIVISION OF HONEYWELL
 FID. REG. CO. REG. 51938
 SWITCH - ENCLOSED
 CHART 1
 LSY SERIES
 CATALOG LISTING

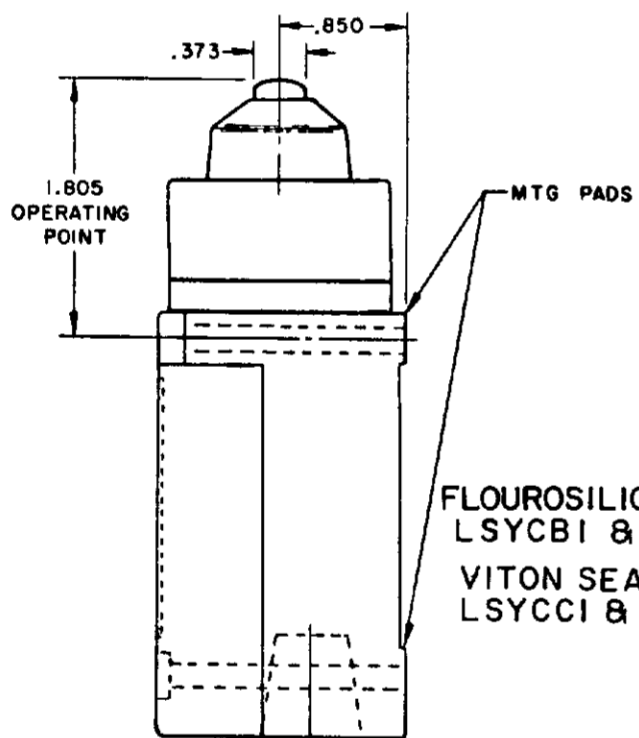
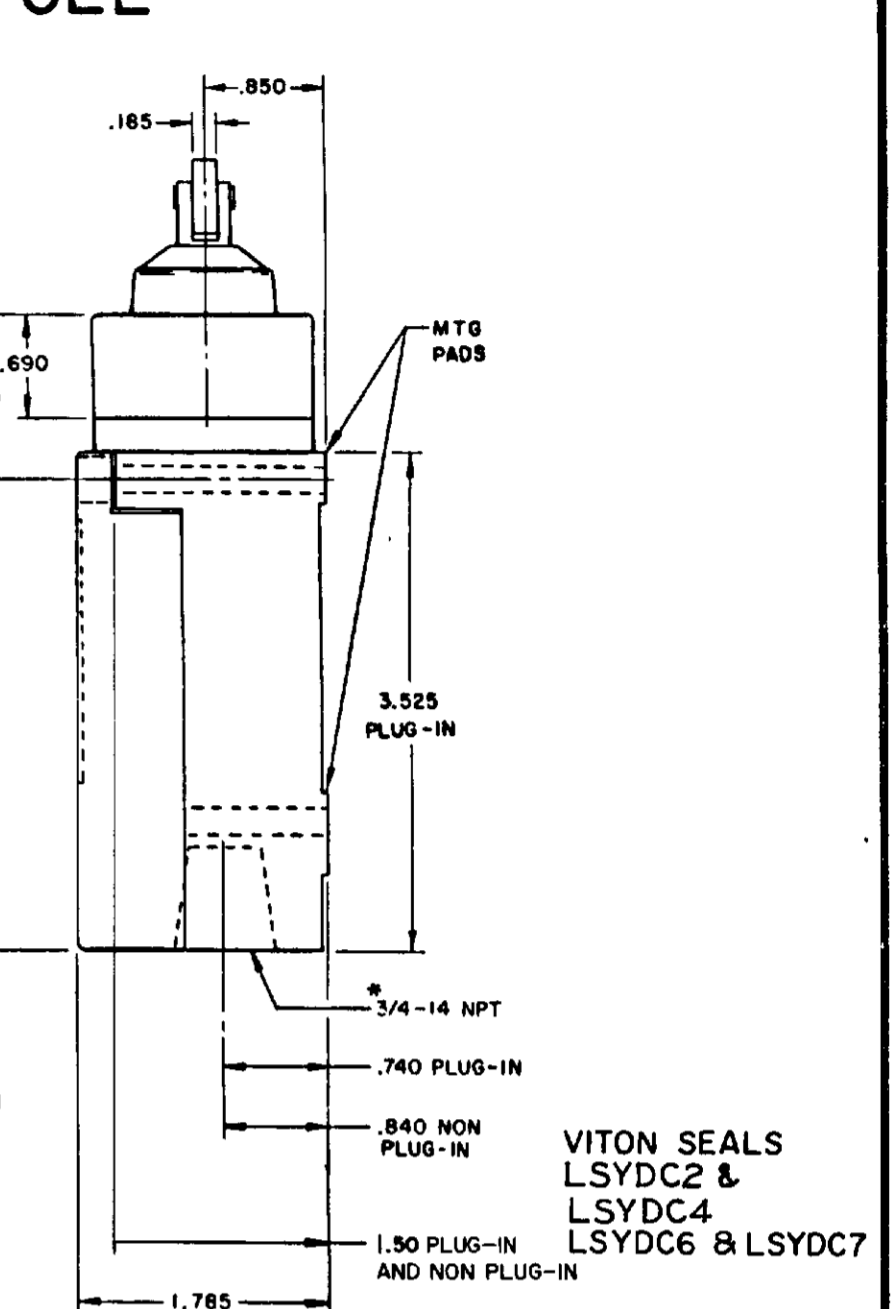
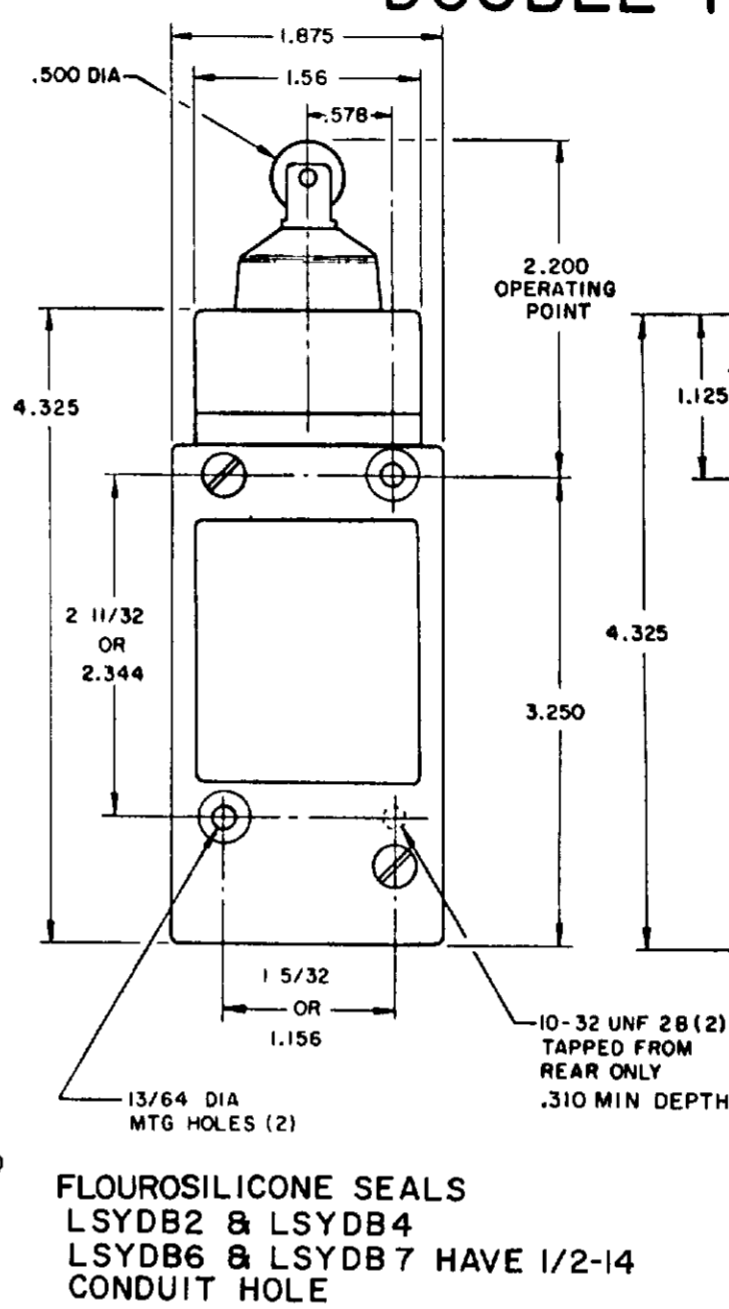
SCALE NONE
DO NOT SCALE PRINT

PLUNGER TYPE TOP

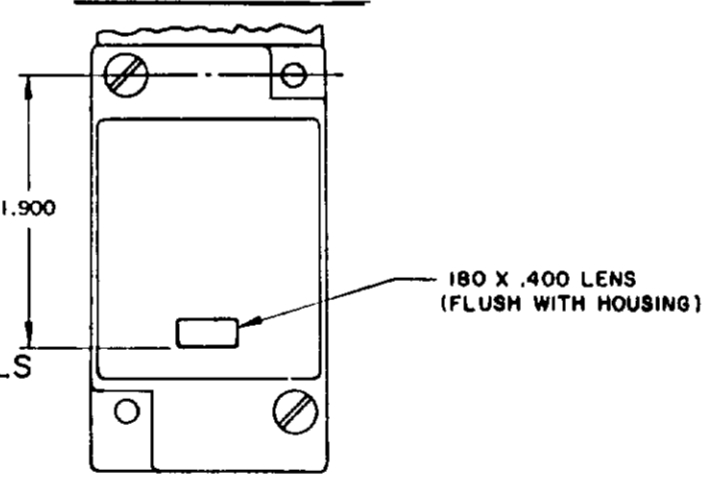
SINGLE POLE



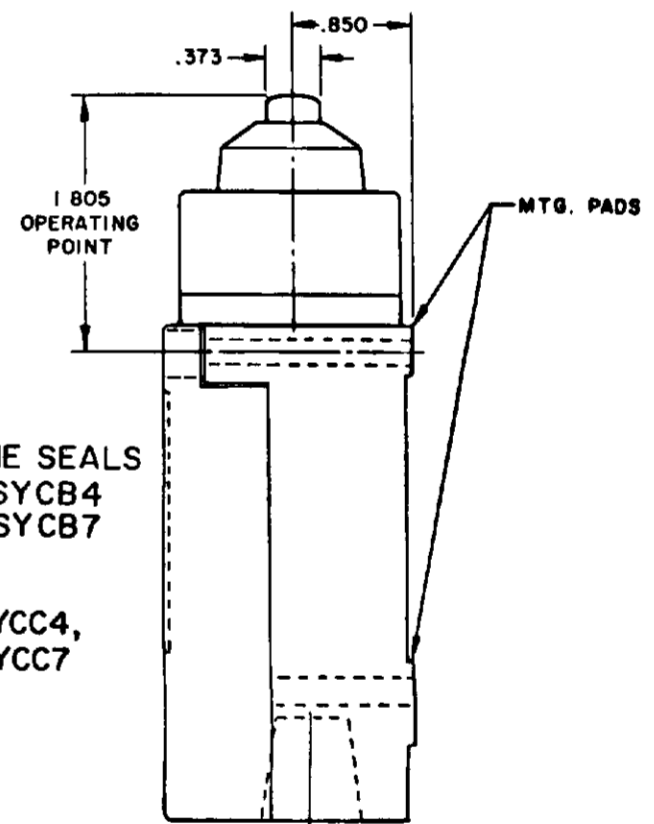
DOUBLE POLE



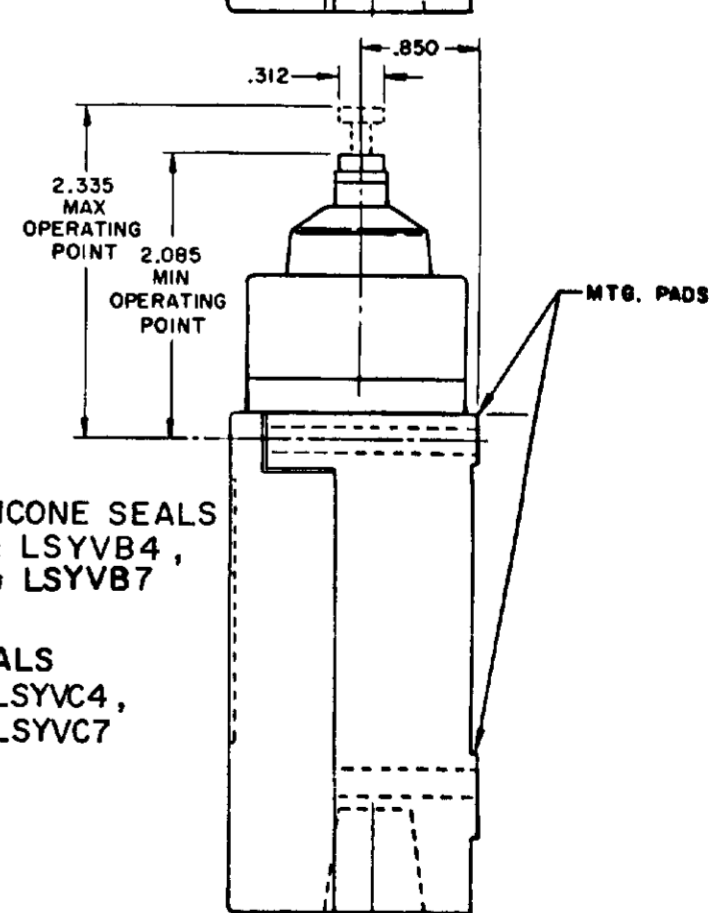
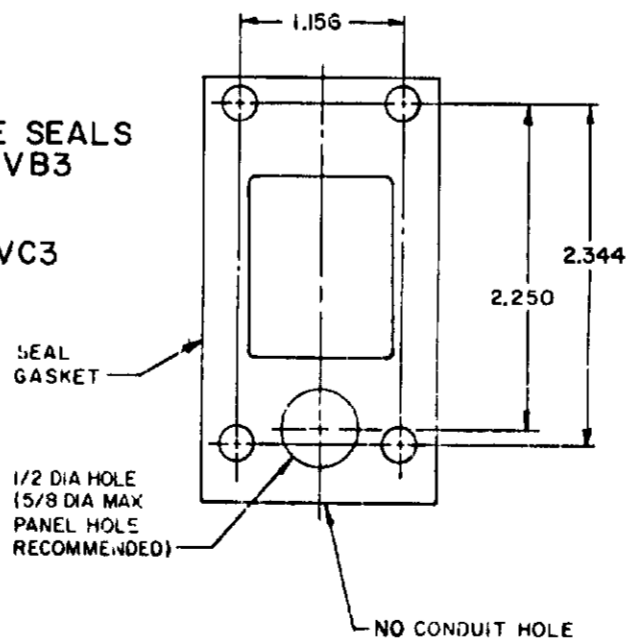
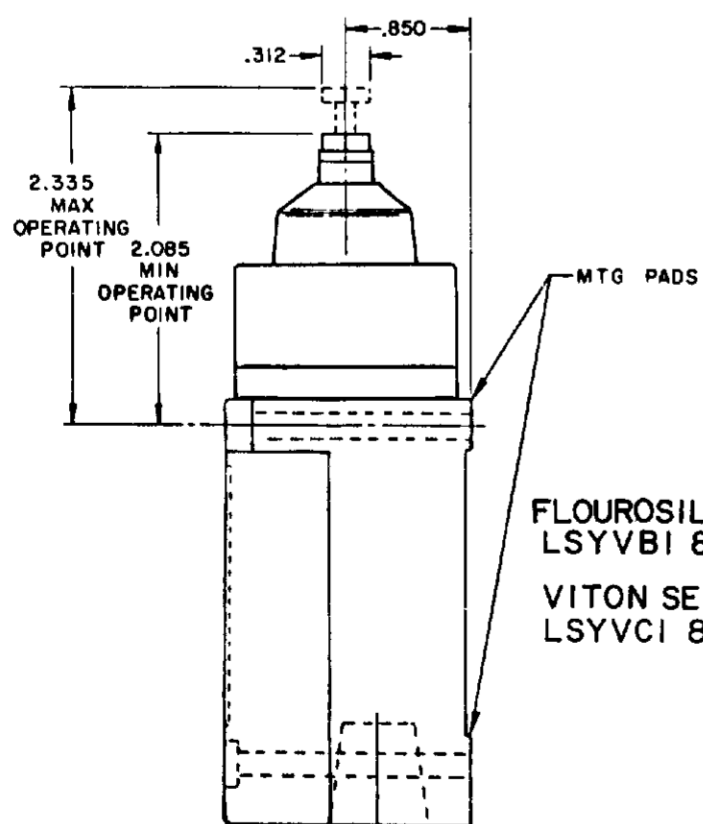
SINGLE POLE PLUG-IN ONLY
WITH INDICATOR LAMP



120 LAMP VOLTAGE -
LSYCB 5, LSYDB5, LSYVB5
LSYCC 5, LSYDC5, LSYVC5
240 LAMP VOLTAGE -
LSYCB8, LSYDB8, LSYVB8
LSYCC8, LSYDC8, LSYVC8



MANIFOLD MOUNT (PLUG-IN ONLY)
SINGLE POLE AND DOUBLE POLE
TYPE LSYA THROUGH LSYW SERIES



NOTES:
1 - ALL UNITS AVAILABLE WITH
FLUOROSILICONE AND VITON SEALS

MICRO SWITCH
THIS DRAWING GOVERNS A PROPRIETARY ITEM AND IS THE PROPERTY OF MICRO SWITCH, A DIVISION OF HONEYWELL. THIS DRAWING IS NOT TO BE COPIED OR USED WITHOUT THE APPROVAL OF MICRO SWITCH.
A DIVISION OF HONEYWELL
180 W. 50TH ST. PITTSBURGH, PA. 15201-0001

SWITCH - ENCLOSED

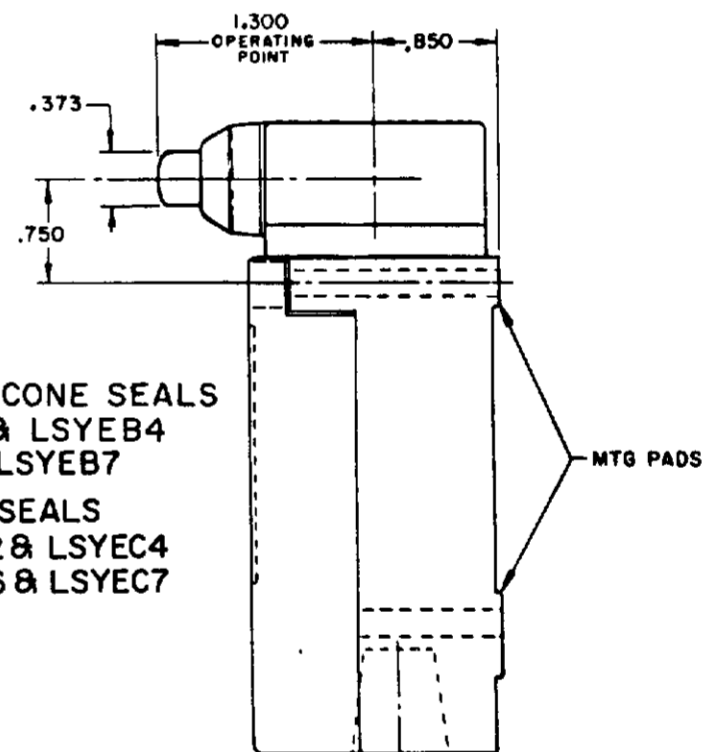
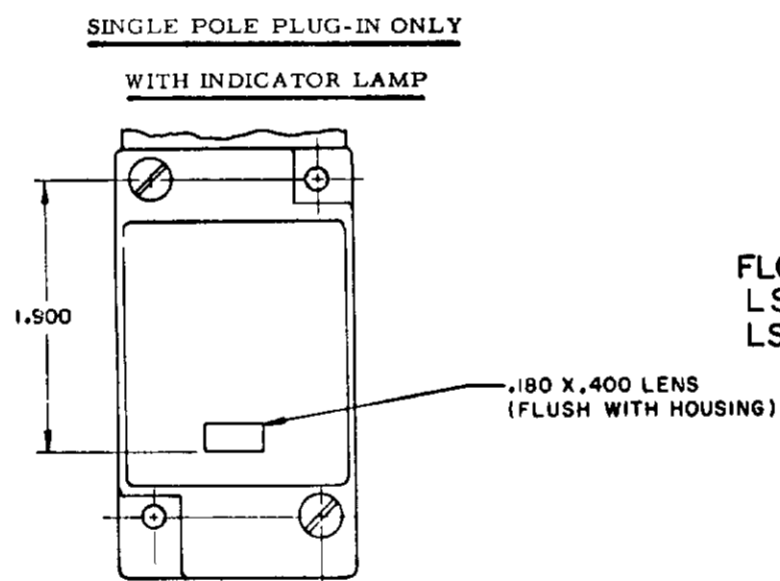
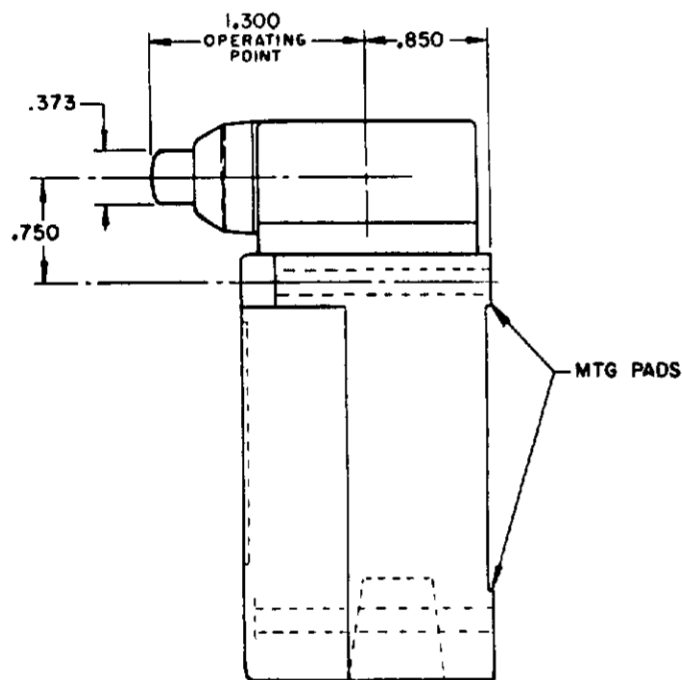
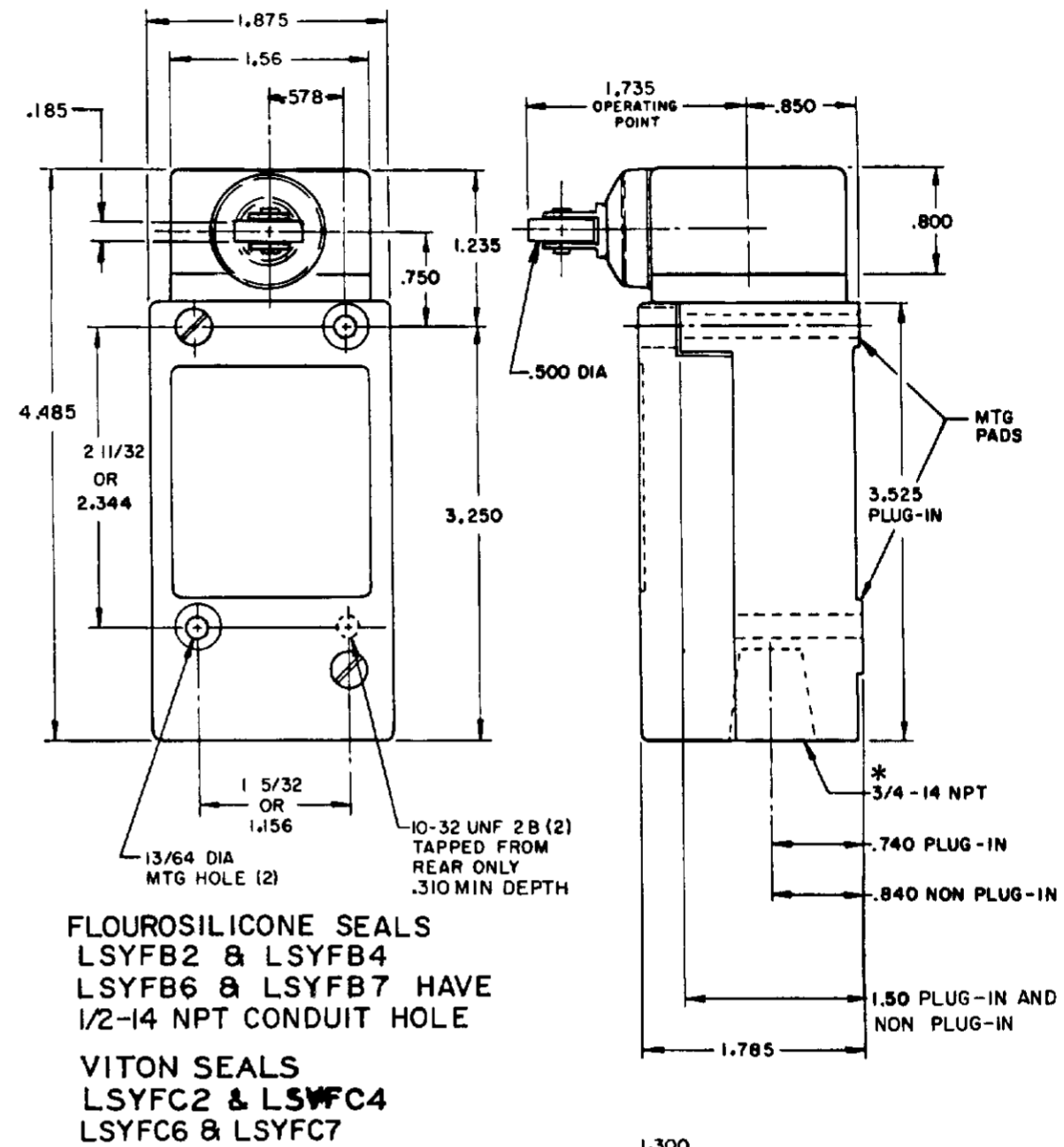
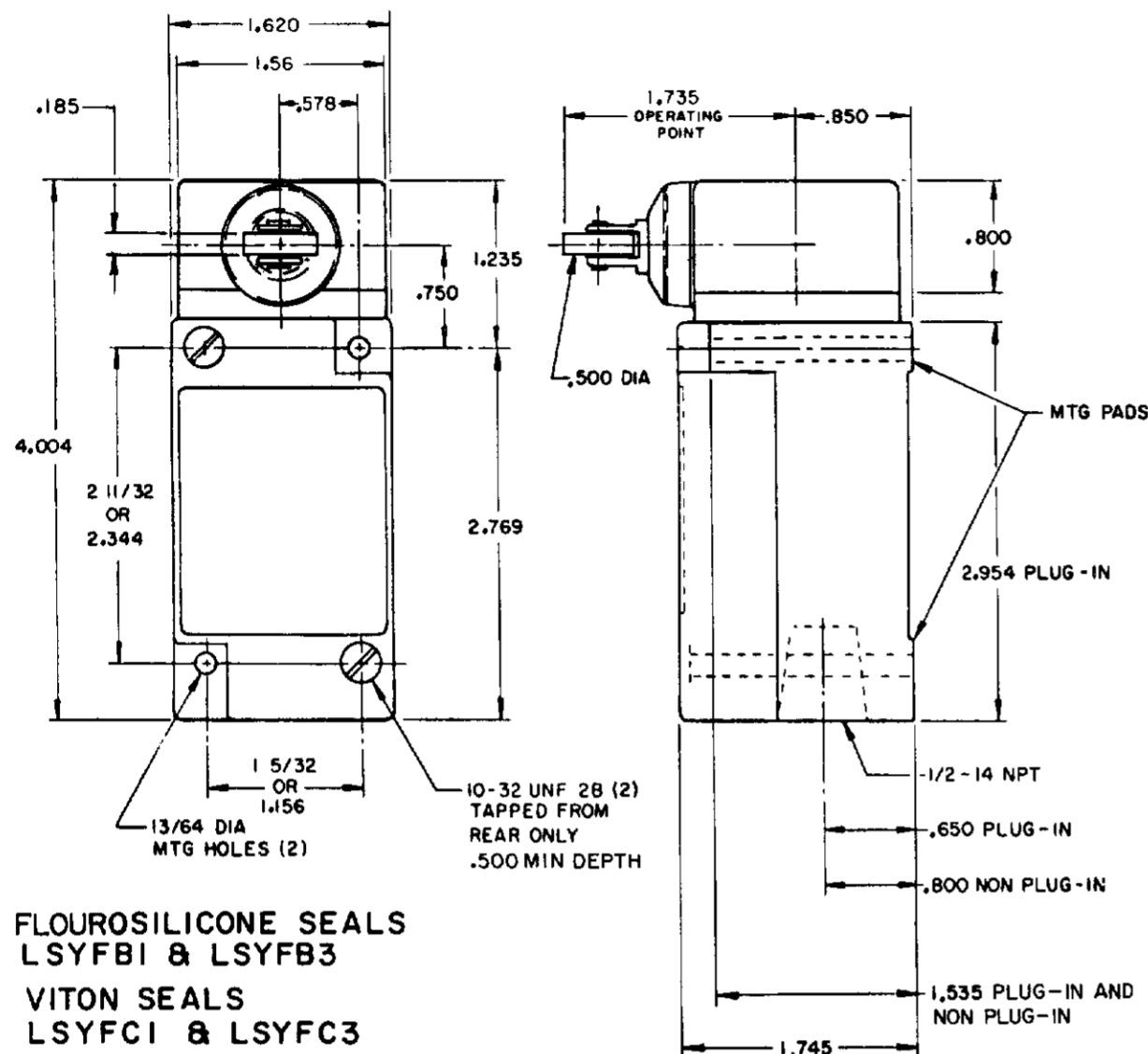
LSY SERIES
CHART 1

SCALE NONE
DO NOT SCALE PRINT

SIDE PLUNGER TYPE

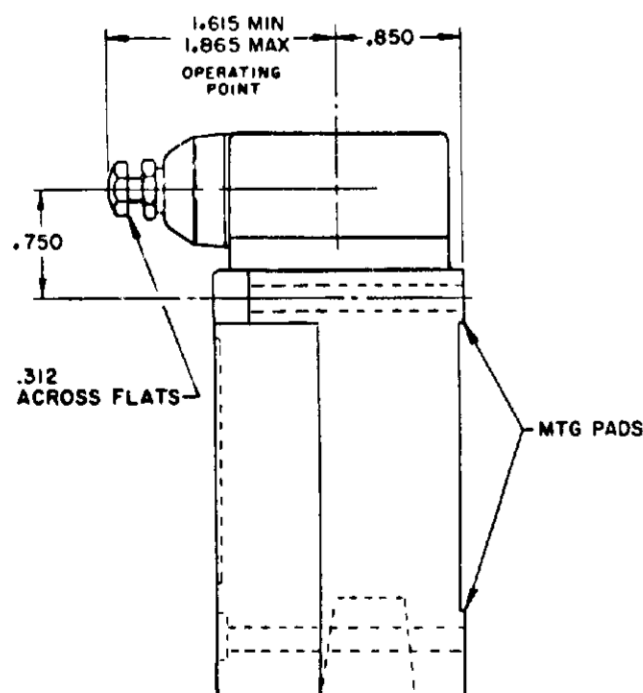
SINGLE POLE

DOUBLE POLE

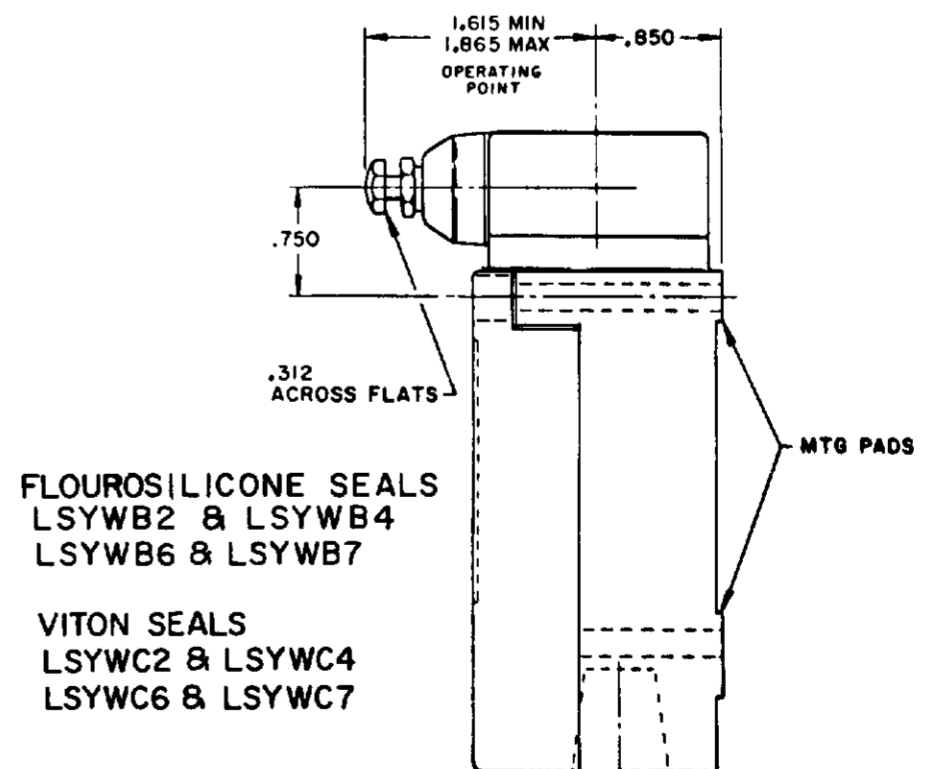
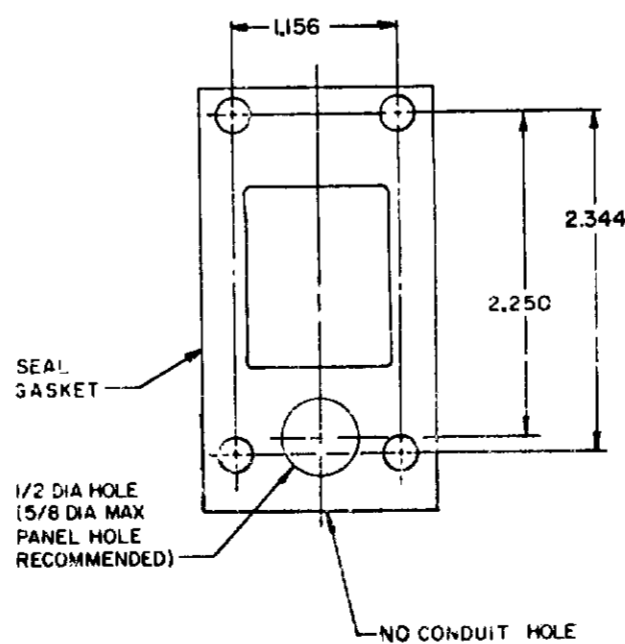


120 LAMP VOLTAGE -
 LSYFB5, LSYEB5, LSYWB5
 LSYFC5, LSYEC5, LSYWC5

240 LAMP VOLTAGE -
 LSYFB8, LSYEB8, LSYWB8
 LSYFC8, LSYEC8, LSYWC8



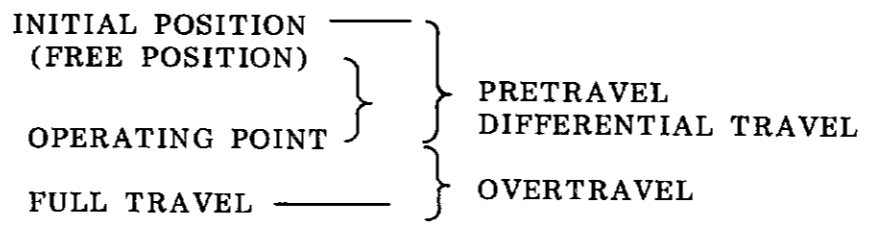
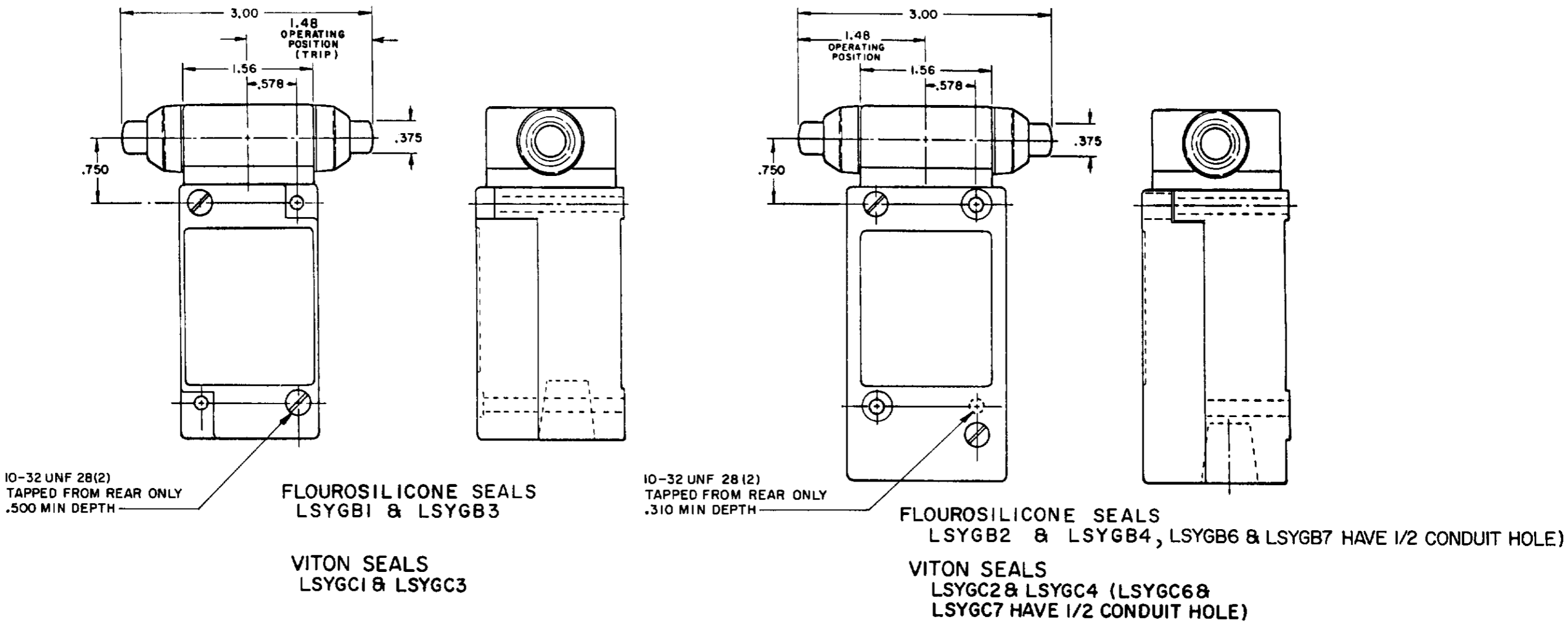
MANIFOLD MOUNT (PLUG-IN ONLY)
SINGLE POLE AND DOUBLE POLE
 TYPE LSYA THROUGH LSYW SERIES



NOTES:
 1 - ALL UNITS AVAILABLE WITH FLOUROSILICONE AND VITON SEALS

MICRO SWITCH
 SWITCH - ENCLOSED
 CHART 1

SCALE NONE
 DO NOT SCALE PRINT



OPERATING POINT GIVEN IN RELATION TO TOP MOUNTING HOLE **TOP PLUNGER TYPES**

CHARACTERISTICS	LSYC PLUNGER		LSYD ROLLER PLUNGER		LSYV ADJ PLUNGER		SEQUENCE BASIC		
	SINGLE POLE	DOUBLE POLE	SINGLE POLE	DOUBLE POLE	SINGLE POLE	DOUBLE POLE	LSYC	LSYD	LSYV
PRETRAVEL (MAX)	.070		.070		.070		1ST STEP .070		
DIFFERENTIAL TRAVEL (MAX)	.015	.020	.015	.020	.015	.020	2ND STEP .016 MIN ADD'L		
OVERTRAVEL (MIN)	.190		.190		.190		.170		
OPERATING FORCE (MAX)	4 LBS		4 LBS		4 LBS		4 LBS		
OPERATING POINT	1.805 ± .030		2.200 ± .040		2.085 MIN 2.335 MAX		1ST STEP		
FULL OVERTRAVEL FORCE (MAX)	7 LBS		7 LBS		7 LBS		1.815±.030 2.210±.040 2.095 MIN / 2.345 MAX		

OPERATING POINT GIVEN IN RELATION TO CENTER OF HEAD **SIDE PLUNGER TYPES**

CHARACTERISTICS	LSYE PLUNGER	LSYF ROLLER PLUNGER	LSYW ADJ PLUNGER	LSYG PLUNGER MAINTAINED	SEQUENCE BASIC		
					LSYE	LSYF	LSYW
PRETRAVEL (MAX)	.100	.100	.100	.170	1ST STEP .100		
DIFFERENTIAL TRAVEL (MAX)	.045	.045	.045	.090	2ND STEP .020 MIN ADD'L		
OVERTRAVEL (MIN)	.190	.190	.190	.080	.170		
OPERATING FORCE (MAX)	6 LBS	6 LBS	6 LBS	10 LBS	6 LBS		
OPERATING POINT	1.300 ± .030	1.735 ± .040	1.615 MIN 1.865 MAX	1.480 ± .030	1ST STEP		
FULL OVERTRAVEL FORCE (MAX)	6 LBS	6 LBS	6 LBS	10 LBS	1.310±.030 1.745±.040 1.625 MIN / 1.875 MAX		

MICRO SWITCH
 FREEPORT ILLINOIS U.S.A.
 A DIVISION OF HONEYWELL
 TEL: 618-352-3133

SWITCH - ENCLOSED

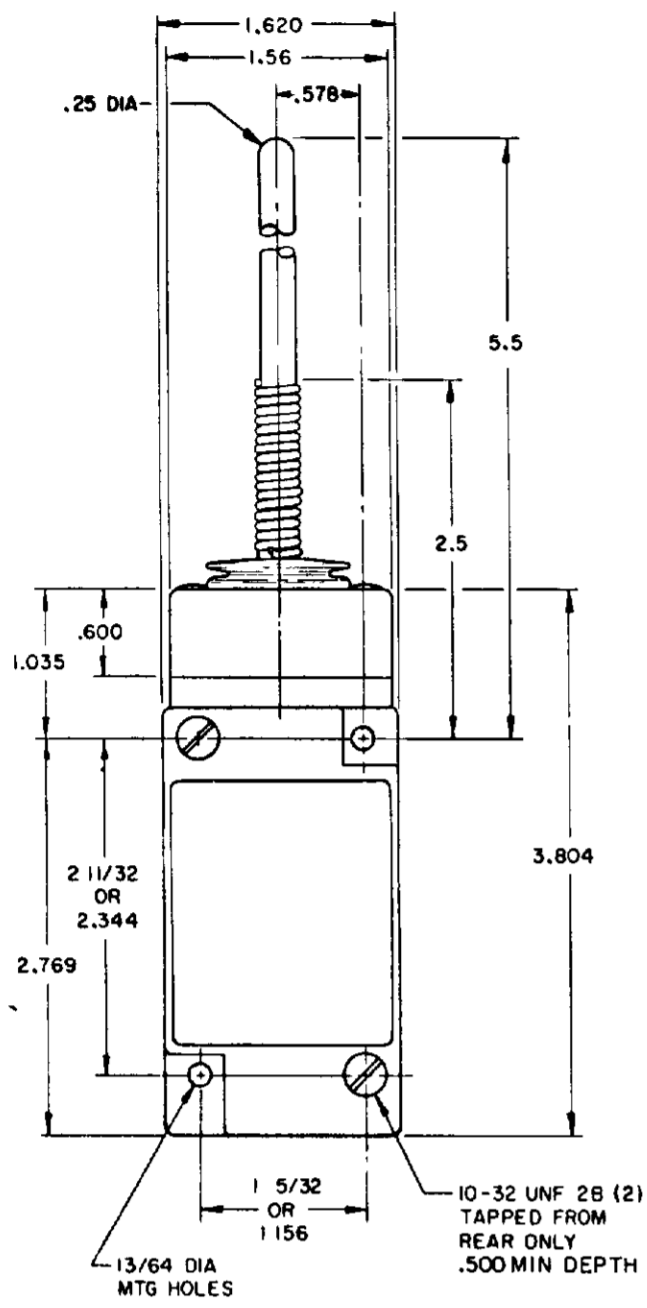
LSY SERIES
 CATALOG LISTING
 CHART 1

THIRD ANGLE PROJECTION
 SCALE NONE
 DO NOT SCALE PRINT
 TOLERANCES
 DIMENSIONS ARE IN INCHES UNLESS OTHERWISE SPECIFIED
 FRACTIONS SHALL BE 16, 32, 64, 128, 256, 512, 1024
 DECIMALS SHALL BE 0.0005, 0.001, 0.002, 0.005, 0.010, 0.020, 0.050, 0.100, 0.200, 0.500, 1.000
 ANGLES SHALL BE TO NEAREST MINUTE UNLESS OTHERWISE SPECIFIED
 HOLE DIMENSIONS SHALL BE TO NEAREST THOUSAND UNLESS OTHERWISE SPECIFIED
 WEIGHT

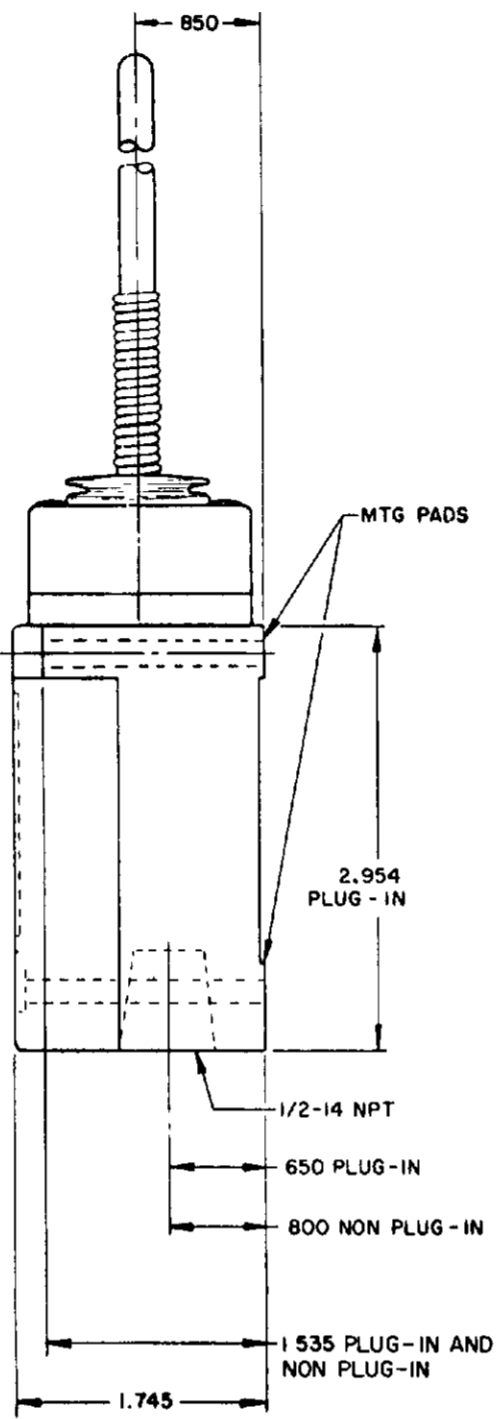
WOBBLE STICK

SINGLE POLE

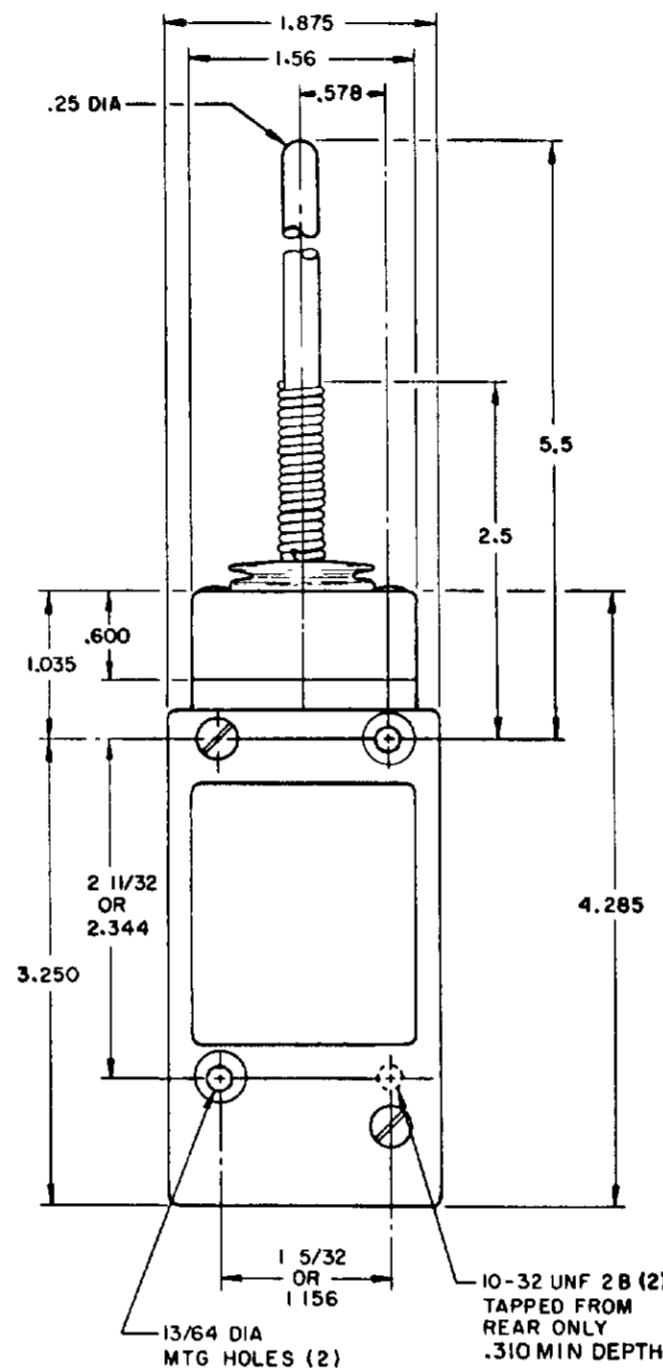
DOUBLE POLE



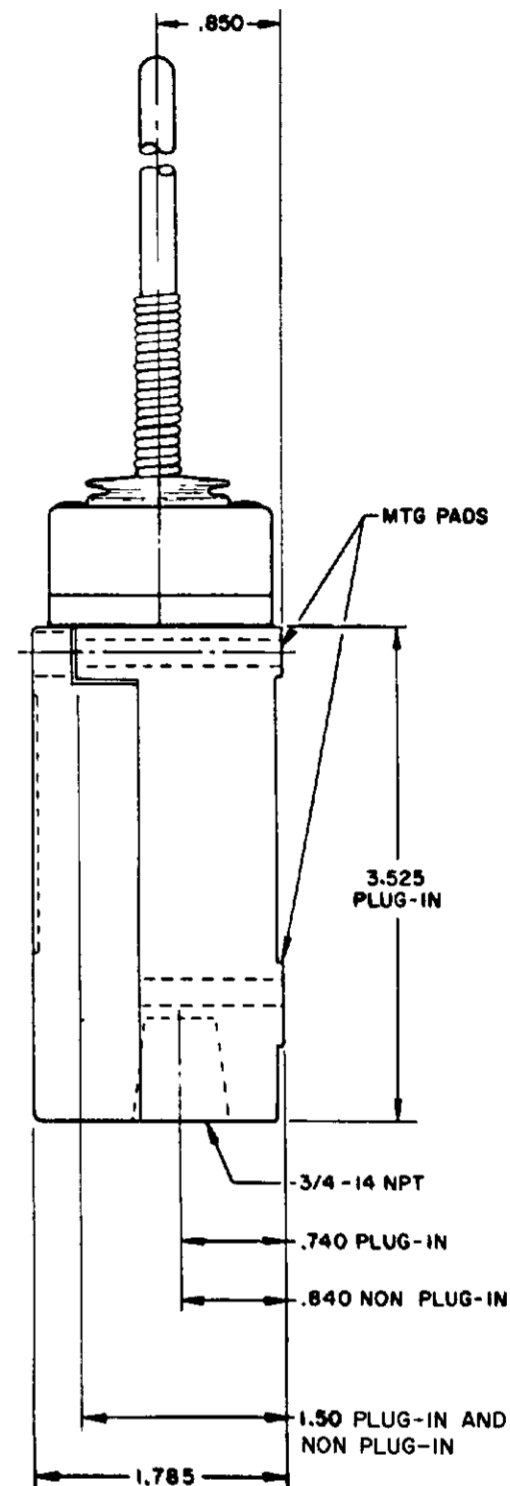
**PLASTIC EXTENSION
TYPE 7A ACTUATOR**



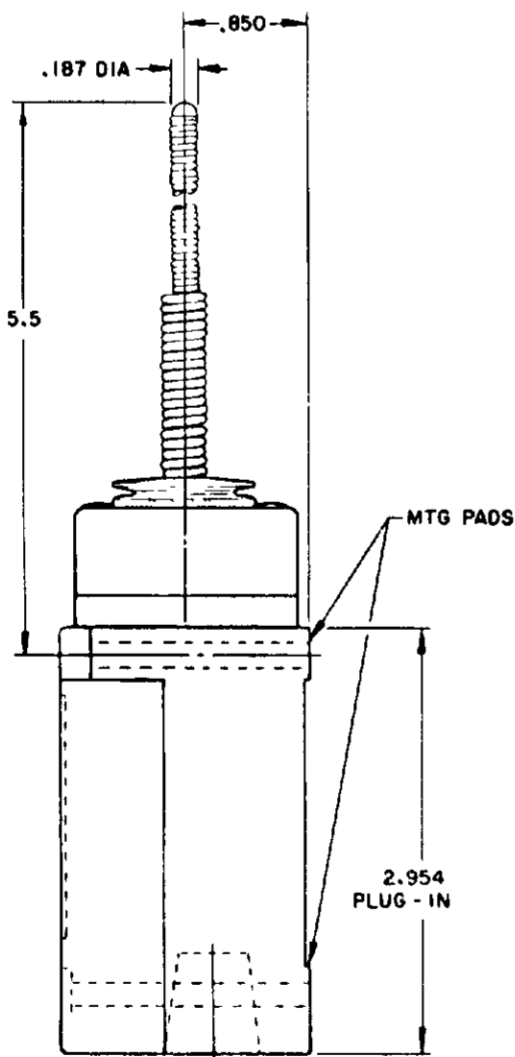
**REPLACEMENT ACTUATOR
LSZ 4009**



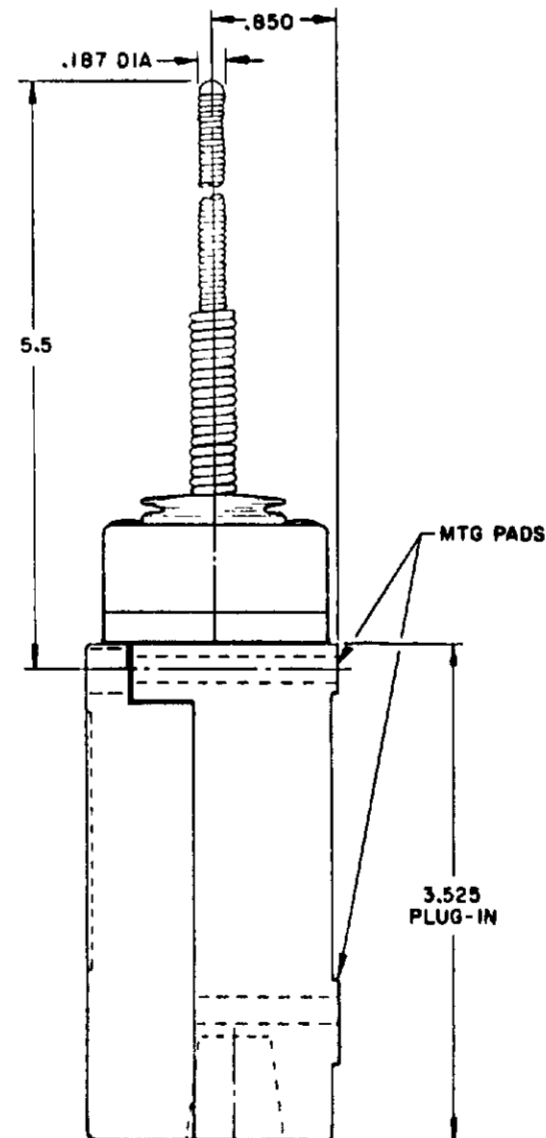
**PLASTIC EXTENSION
TYPE 7A ACTUATOR**



**REPLACEMENT ACTUATOR
LSZ 4011**

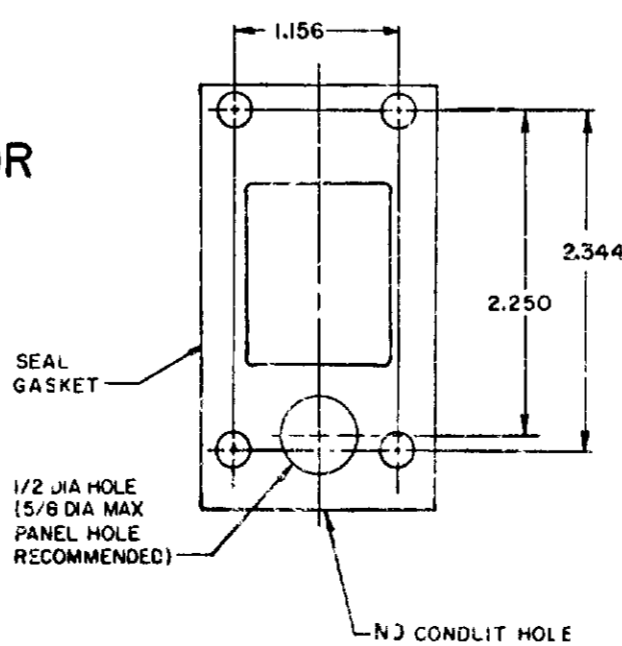


**CABLE EXTENSION
TYPE 7N ACTUATOR**



**CABLE EXTENSION
TYPE 7N ACTUATOR**

MANIFOLD MOUNT (PLUG-IN ONLY)
SINGLE POLE AND DOUBLE POLE
TYPE LSYA THROUGH LSYW SERIES



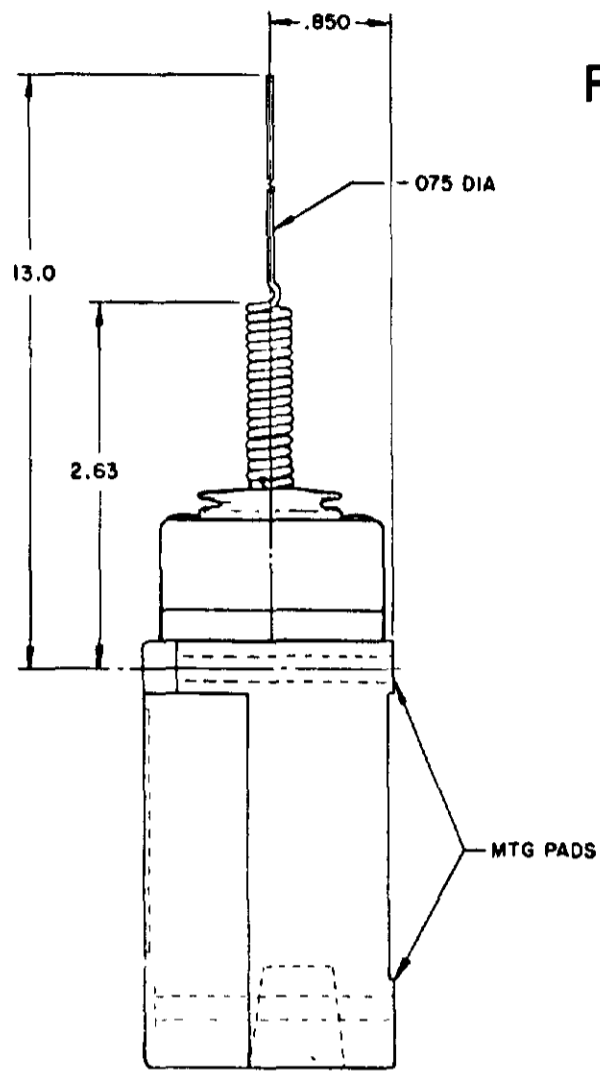
NOTES:
1 - ALL UNITS AVAILABLE WITH
FLUOROSILICONE AND VITON SEALS

MICRO SWITCH
A DIVISION OF HONEYWELL

SWITCH-ENCLOSED

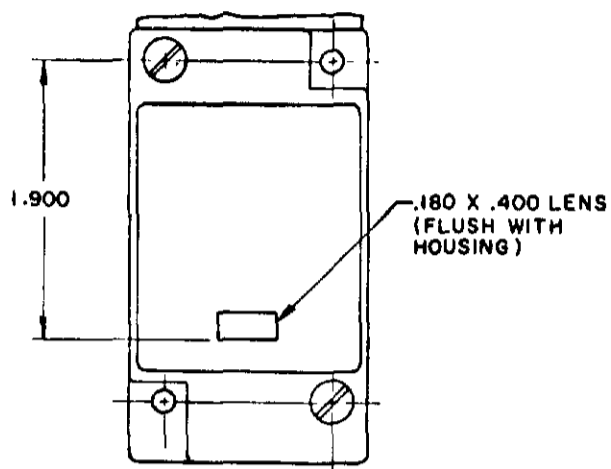
**LSY SERIES
CHART 1**

SCALE NONE
DO NOT SCALE PRINT

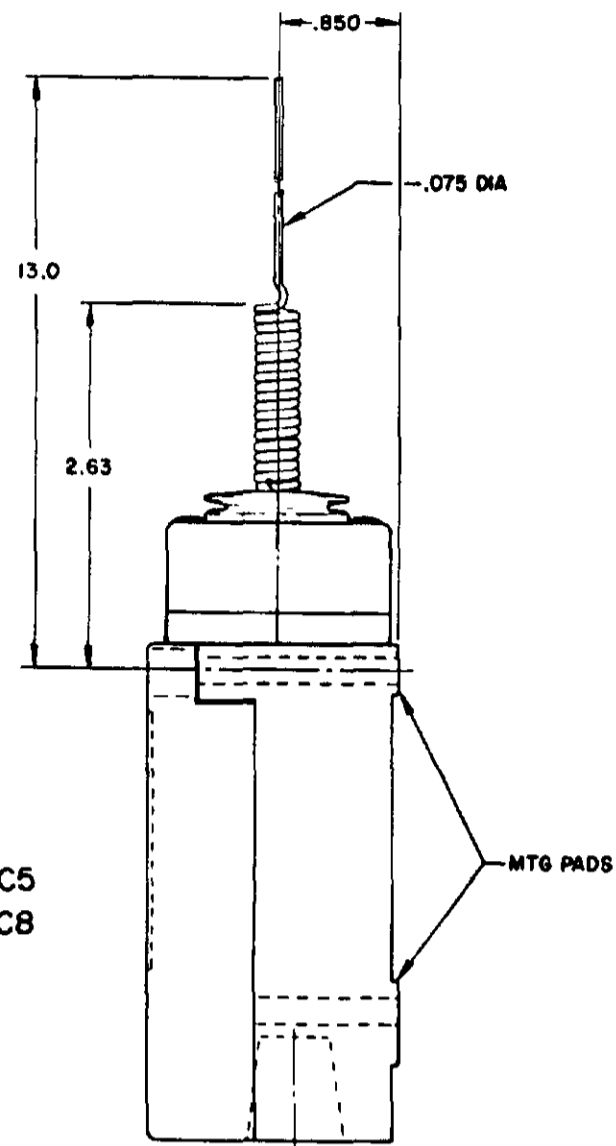


REPLACEMENT ACTUATOR LSZ4010

SINGLE POLE PLUG-IN ONLY
 WITH INDICATOR LAMP



120 LAMP VOLTAGE TYPE-LSYJB5 & LSYJC5
 240 LAMP VOLTAGE TYPE-LSYJB8 & LSYJC8



WIRE EXTENSION TYPE 7M ACTUATOR

FLOUROSILICONE SEALS

LSYJB2 & LSYJB4

LSYJB6 & LSYJB7 HAVE 1/2-14 NPT CONDUIT HOLE

VITON SEALS LSYJC2 & LSYJC4

LSYJC6 & LSYJC7 HAVE 1/2-14 NPT CONDUIT HOLE

WIRE EXTENSION TYPE 7M ACTUATOR

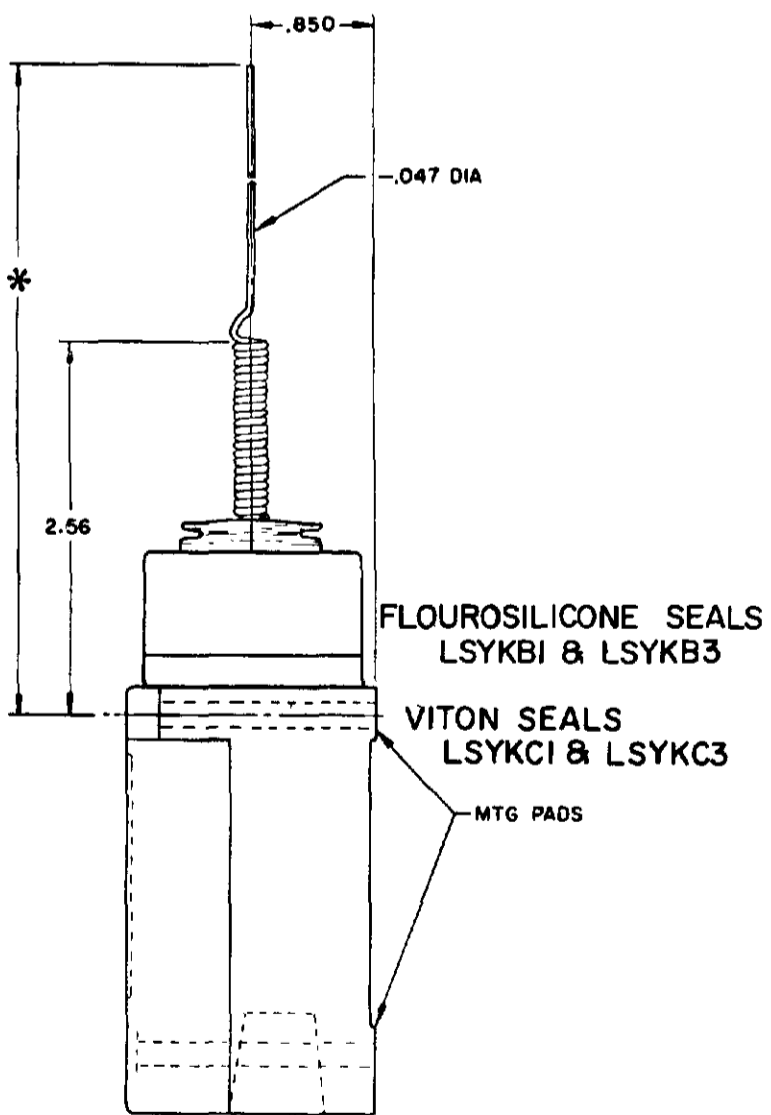
FLOUROSILICONE SEALS
 LSYJBI & LSYJB3

VITON SEALS
 LSYJCI & LSYJC3

REPLACEMENT ACTUATOR LSZ 4010

CAT WHISKER

SINGLE POLE

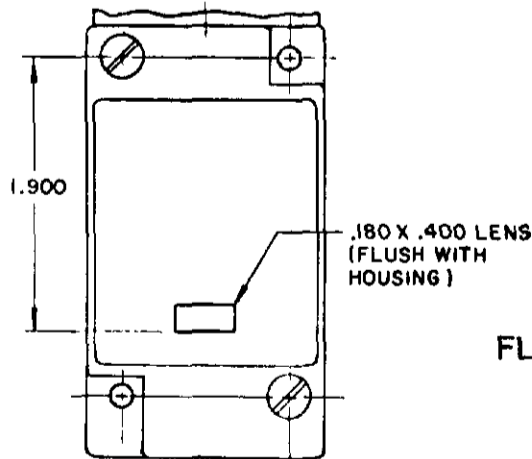


FLOUROSILICONE SEALS
 LSYKBI & LSYKB3
 VITON SEALS
 LSYKCI & LSYKC3

WIRE EXTENSION

*TYPE 8 A ACTUATOR 5.5 IN.
 TYPE 8 B ACTUATOR 7.5 IN.
 TYPE 8 C COIL ACTUATOR 5.5 IN

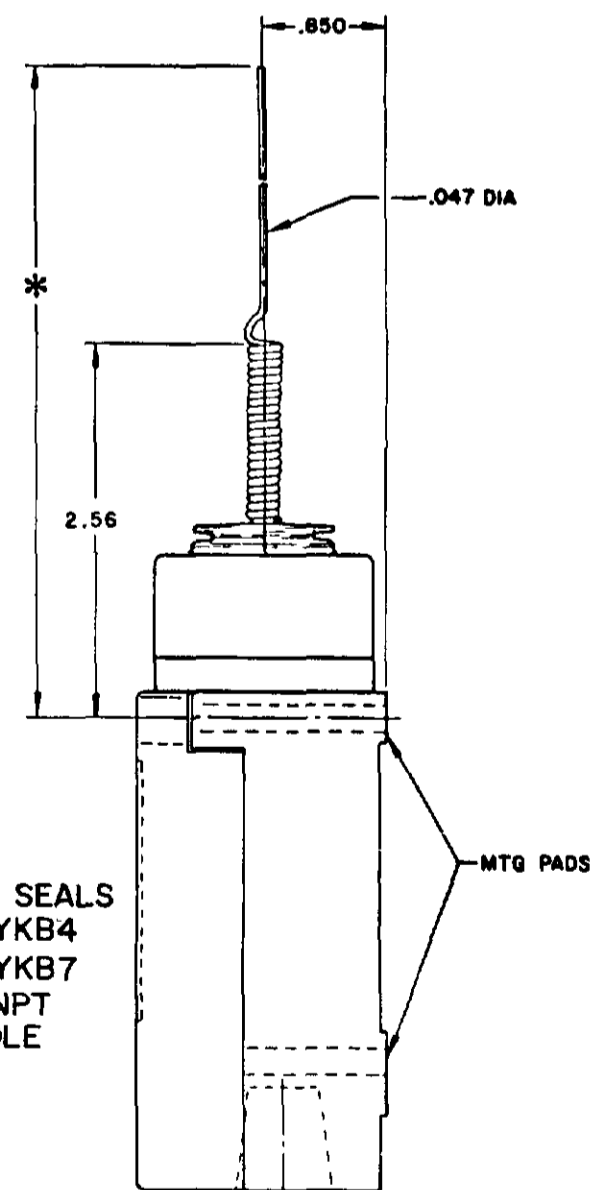
SINGLE POLE PLUG-IN ONLY
 WITH INDICATOR LAMP



FLOUROSILICONE SEALS
 120 LAMP VOLTAGE
 LSYKB5 CAT WHISKER LSYBB5 TOP ROTARY
 240 LAMP VOLTAGE
 LSYKB8 CAT WHISKER LSYBB8 TOP ROTARY

VITON SEALS
 120 LAMP VOLTAGE
 LSYKC5 CAT WHISKER LSYBC5 TOP ROTARY
 240 LAMP VOLTAGE
 LSYKC8 CAT WHISKER LSYBC8 TOP ROTARY

DOUBLE POLE



FLOUROSILICONE SEALS
 LSYKB2 & LSYKB4
 LSYKB6 & LSYKB7
 HAVE 1/2-14 NPT
 CONDUIT HOLE

WIRE EXTENSION REPLACEMENTS

*TYPE 8 A ACTUATOR 5.5 IN. - LSZ 4012
 TYPE 8 B ACTUATOR 7.5 IN. - LSZ 4013
 TYPE 8 C ACTUATOR 5.5 IN. - LSZ 4014

MICRO SWITCH
 THIS DRAWING COVERS A PROPRIETARY ITEM AND IS THE PROPERTY OF MICRO SWITCH A DIVISION OF HONEYWELL. THIS DRAWING IS NOT TO BE COPIED OR USED WITHOUT THE APPROVAL OF MICRO SWITCH.
 MICRO SWITCH
 FREEPORT, ILLINOIS, U.S.A.
 A DIVISION OF HONEYWELL
 FIG. 876 CODE 8188
SWITCH - ENCLOSED
 LSY SERIES
 CATALOG LISTING
 CHART 1

SCALE NONE
 DO NOT SCALE PRINT

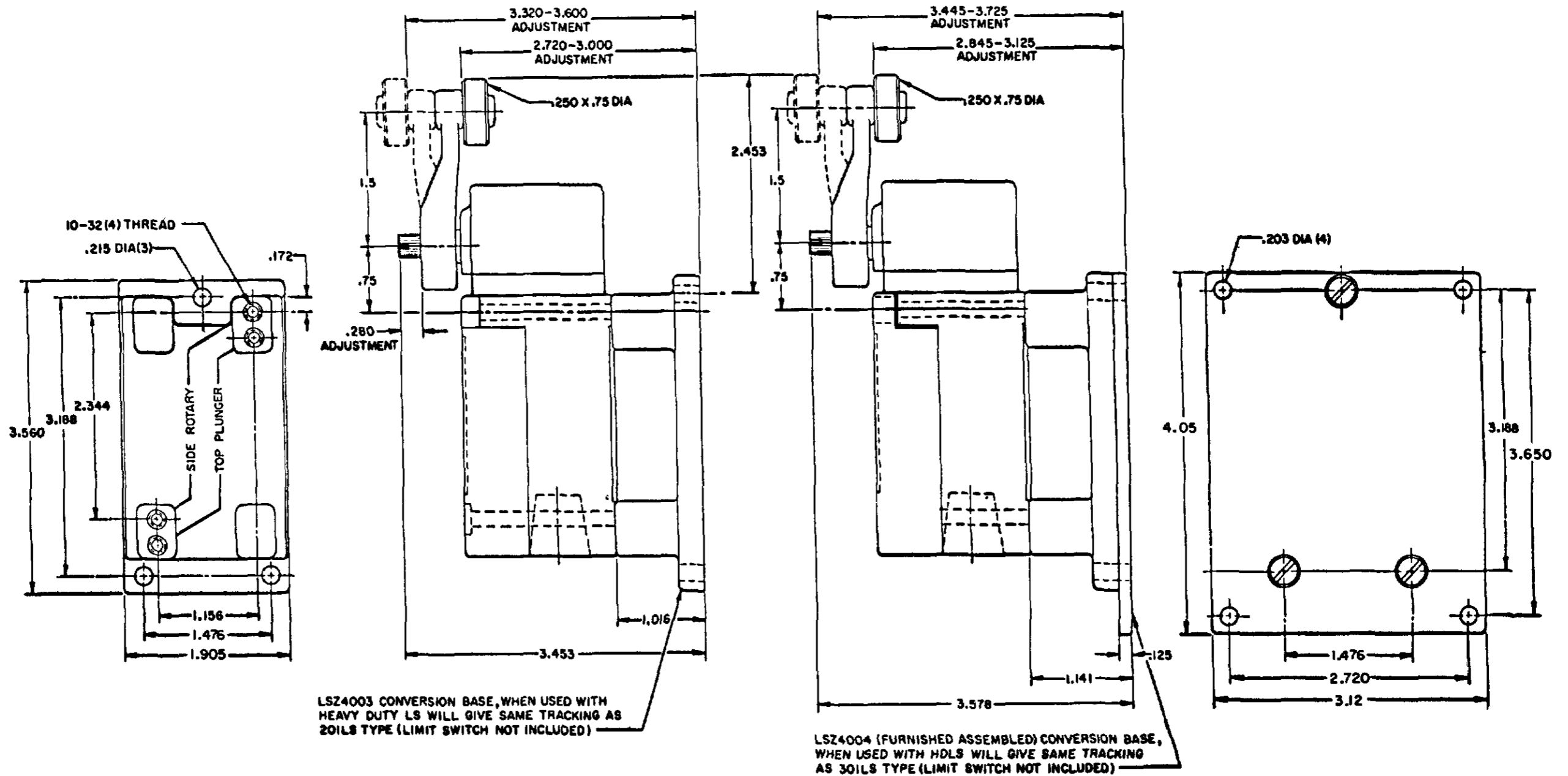
PRETRAVEL (APPROX) IN. RADIUS	CAT WHISKER			WOBBLE STICK		
	5/16" COIL	5/16" WIRE	7/16" WIRE	ROD	CABLE	WIRE
	2	2	4.5	1.0	1.5	4.0
OPERATING FORCE-OZ (MAX)	7.0	5.0	3.0	10.0	7.0	5.0

NOTE-
 1 - ALL UNITS AVAILABLE WITH
 FLOUROSILICONE AND VITON SEALS

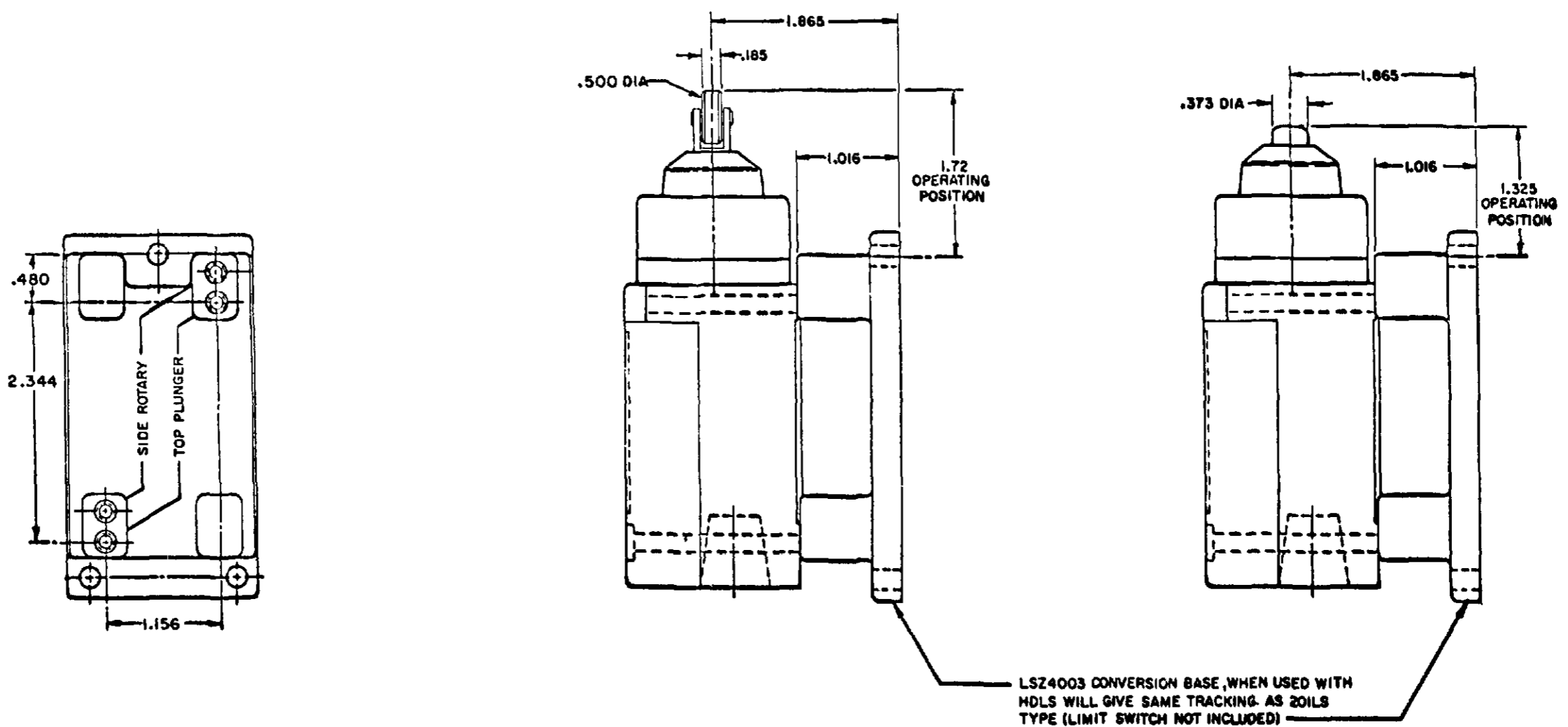
CONVERSION BASES

SINGLE POLE (SIDE ROTARY) LSZ 4003

DOUBLE POLE (SIDE ROTARY) LSZ4004



SINGLE POLE TOP PLUNGER LSZ4003



MICRO SWITCH
 A DIVISION OF HONEYWELL
 PREPARED ILLINOIS U.S.A.
 740 WFS CODE 8188

THIS DRAWING COVERS A PROPRIETARY ITEM AND IS THE PROPERTY OF MICRO SWITCH, A DIVISION OF HONEYWELL. THIS DRAWING IS NOT TO BE COPIED OR USED WITHOUT THE APPROVAL OF MICRO SWITCH.

SWITCH - ENCLOSED

LSY SERIES
 CATALOG LISTING
 CHART 1

SCALE FULL
 DO NOT SCALE PRINT

Компания «Life Electronics» занимается поставками электронных компонентов импортного и отечественного производства от производителей и со складов крупных дистрибьюторов Европы, Америки и Азии.

С конца 2013 года компания активно расширяет линейку поставок компонентов по направлению коаксиальный кабель, кварцевые генераторы и конденсаторы (керамические, пленочные, электролитические), за счёт заключения дистрибьюторских договоров

Мы предлагаем:

- Конкурентоспособные цены и скидки постоянным клиентам.
- Специальные условия для постоянных клиентов.
- Подбор аналогов.
- Поставку компонентов в любых объемах, удовлетворяющих вашим потребностям.
- Приемлемые сроки поставки, возможна ускоренная поставка.
- Доставку товара в любую точку России и стран СНГ.
- Комплексную поставку.
- Работу по проектам и поставку образцов.
- Формирование склада под заказчика.
- Сертификаты соответствия на поставляемую продукцию (по желанию клиента).
- Тестирование поставляемой продукции.
- Поставку компонентов, требующих военную и космическую приемку.
- Входной контроль качества.
- Наличие сертификата ISO.

В составе нашей компании организован Конструкторский отдел, призванный помогать разработчикам, и инженерам.

Конструкторский отдел помогает осуществить:

- Регистрацию проекта у производителя компонентов.
- Техническую поддержку проекта.
- Защиту от снятия компонента с производства.
- Оценку стоимости проекта по компонентам.
- Изготовление тестовой платы монтаж и пусконаладочные работы.



Тел: +7 (812) 336 43 04 (многоканальный)

Email: org@lifeelectronics.ru