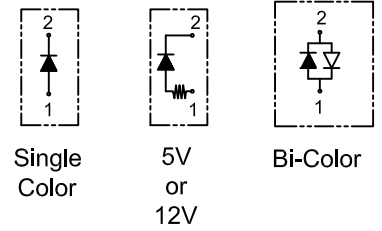
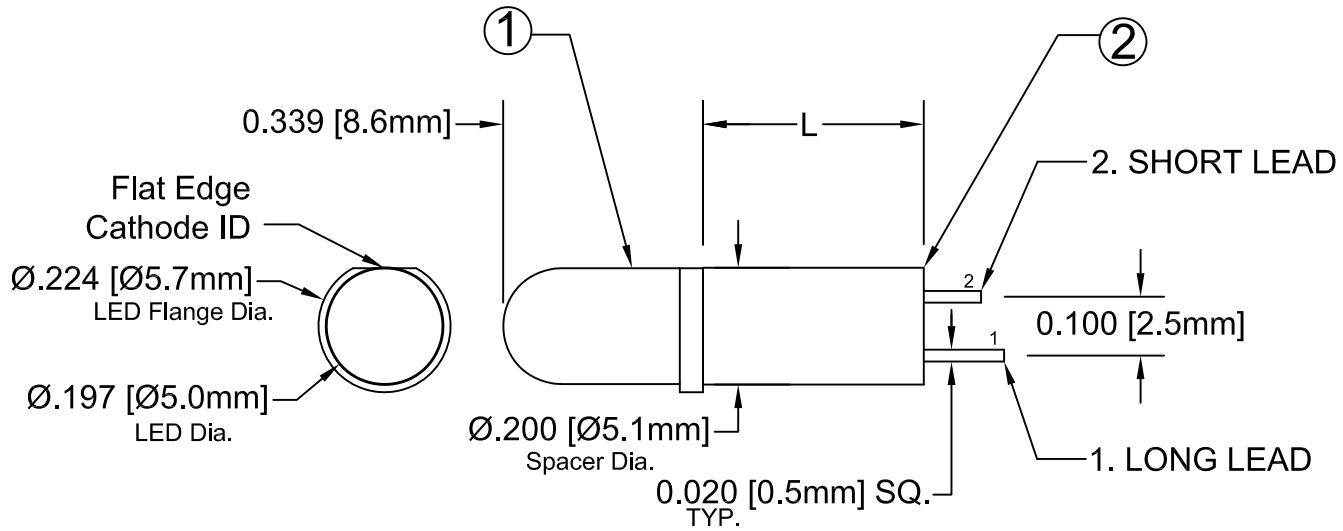
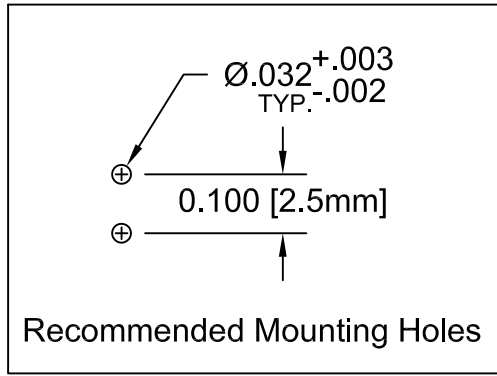
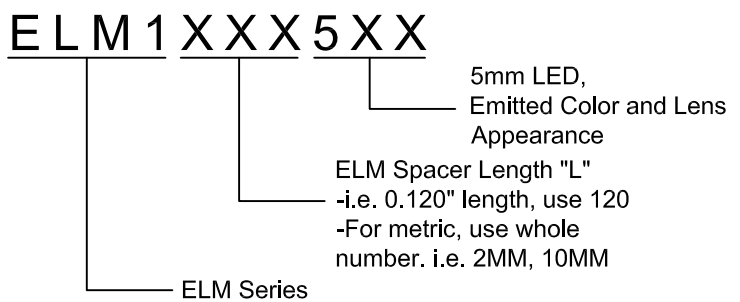


| ITEM | Q'TY | PART NUMBER | PART DESCRIPTION |
|------|------|-------------|--|
| 1 | 1 | 5XX-F | T-1¼ (5mm) Flanged LED, See Pages 2 to 4 |
| 2 | 1 | ELM1-XXX | Extruded, Self-Retaining LED Spacer |

| REV. | DESCRIPTION | DATE | APPROVED |
|------|---|----------|----------|
| F | Updated Specs. | 09/23/08 | M. C. |
| G | Added P/N Designation Note. | 07/22/09 | T. Y. |
| H | Added ELM12205SRDLT. | 01/19/11 | T. Y. |
| J | Added Tape & Reel Options. | 06/06/11 | T. Y. |
| K | Tape & Reel Design Update. | 11/15/11 | T. Y. |
| M | LED Offering List Update. | 07/26/12 | T. Y. |
| N | Removed LED Duplication From Offering List. | 11/09/12 | T. Y. |





| BI-COLOR POLARITY | | |
|-------------------|-------------|-------------|
| LED P/N | (1) Cathode | (2) Cathode |
| 5BC-F | Green | Red |
| 5BC-Y/G-F | Green | Yellow |
| 5BC-R/Y-F | Yellow | Red |
| 5BC-A/G-F | Green | Amber |





ABSOLUTE MAXIMUM RATINGS (Ta=25°C)

| | | |
|---|-------|----------------------|
| REVERSE VOLTAGE | _____ | 5V |
| REVERSE CURRENT | _____ | 100µA |
| OPERATING TEMPERATURE RANGE | _____ | -25° C - 85° C |
| STORAGE TEMPERATURE | _____ | -30° C - 100° C |
| LEAD SOLDERING TEMPERATURE(1/16" FROM BODY) | _____ | 260° C FOR 5 SECONDS |

| | | | |
|---|-----------------------|--|---|
| STANDARD TOLERANCE (UNLESS OTHERWISE SPECIFIED) | |  BIVAR [®] 4 THOMAS, IRVINE, CA. 92618 TEL: (949) 951-8808 FAX: (949) 951-3974 | |
| DECIMALS | ANGULAR | | |
| .X ± .1 | X° ± 1° | | |
| .XX ± .02 | |  TITLE: EXTRUDED VERTICAL T-1¼ (5mm) LED NARROW PROFILE ASSY | |
| .XXX ± .010 | | | PART NO: ELM1XXX5XX REVISION: N |
| DESIGNED: Mlnh Doan | DATE: 07/26/12 | CAGE CODE : 32559 SHEET # 1 OF 5 | |
| CHECKED: T. Yin | DATE: 07/26/12 | CAD GENERATED DOCUMENT, DO NOT MEASURE DRAWING. | |


| | | | |
|------|--------------|------|----------|
| REV. | DESCRIPTION | DATE | APPROVED |
| | SEE SHEET#1. | | |

| LED Assy. No. | Chip | | | Lens Appearance | Electro-Optical Data @ 20mA | | | | Viewing Angle 2 θ ½ (Deg) | LED P/N | |
|----------------|-----------|------------------|---------------|-----------------|-----------------------------|--------|-----|----------|---------------------------|-----------|-----|
| | Material | Peak Wave Length | Emitted Color | | If (mA) | Vf (V) | | Iv (mcd) | | | |
| | | | | | | MAX | TYP | MAX | | | TYP |
| ELM1XXX5BWC | GaN/SiC | 430 | BLUE | WATER CLEAR | 25 | 4 | 4.5 | 25 | 20 | 5BWC-F | |
| ELM1XXX5BWD | GaN/SiC | 430 | BLUE | DIFFUSED | 25 | 4 | 4.5 | 15 | 45 | 5BWD-F | |
| ELM1XXX5BWT | GaN/SiC | 430 | BLUE | TINTED | 25 | 4 | 4.5 | 30 | 20 | 5BWT-F | |
| ELM1XXX5GC | GaP/GaP | 568 | GREEN | WATER CLEAR | 30 | 2.1 | 2.8 | 40 | 35 | 5GC-F | |
| ELM1XXX5GD | GaP/GaP | 568 | GREEN | DIFFUSED | 30 | 2.1 | 2.8 | 25 | 45 | 5GD-F | |
| ELM1XXX5GT | GaP/GaP | 568 | GREEN | TINTED | 30 | 2.1 | 2.8 | 40 | 35 | 5GT-F | |
| ELM1XXX5PGC | GaP/GaP | 555 | PURE GREEN | WATER CLEAR | 30 | 2.2 | 2.8 | 10 | 35 | 5PGC-F | |
| ELM1XXX5PGD | GaP/GaP | 555 | PURE GREEN | DIFFUSED | 30 | 2.2 | 2.8 | 10 | 45 | 5PGD-F | |
| ELM1XXX5PGT | GaP/GaP | 555 | PURE GREEN | TINTED | 30 | 2.2 | 2.8 | 10 | 35 | 5PGT-F | |
| ELM1XXX5YC | GaAsP/GaP | 590 | YELLOW | WATER CLEAR | 30 | 2 | 2.8 | 40 | 35 | 5YC-F | |
| ELM1XXX5YD | GaAsP/GaP | 590 | YELLOW | DIFFUSED | 30 | 2 | 2.8 | 25 | 45 | 5YD-F | |
| ELM1XXX5YT | GaAsP/GaP | 590 | YELLOW | TINTED | 30 | 2 | 2.8 | 40 | 35 | 5YT-F | |
| ELM1XXX5AC | GaAsP/GaP | 605 | AMBER | WATER CLEAR | 30 | 2 | 2.8 | 40 | 35 | 5AC-F | |
| ELM1XXX5AD | GaAsP/GaP | 605 | AMBER | DIFFUSED | 30 | 2 | 2.8 | 25 | 45 | 5AD-F | |
| ELM1XXX5AT | GaAsP/GaP | 605 | AMBER | TINTED | 30 | 2 | 2.8 | 40 | 35 | 5AT-F | |
| ELM1XXX5HC | GaAsP/GaP | 625 | HE RED | WATER CLEAR | 30 | 2 | 2.8 | 40 | 35 | 5HC-F | |
| ELM1XXX5HD | GaAsP/GaP | 625 | HE RED | DIFFUSED | 30 | 2 | 2.8 | 25 | 45 | 5HD-F | |
| ELM1XXX5HT | GaAsP/GaP | 625 | HE RED | TINTED | 30 | 2 | 2.8 | 40 | 35 | 5HT-F | |
| ELM1XXX5RC | GaP/GaP | 700 | RED | WATER CLEAR | 20 | 2.1 | 2.8 | 2 | 35 | 5RC-F | |
| ELM1XXX5RD | GaP/GaP | 700 | RED | DIFFUSED | 20 | 2.1 | 2.8 | 2 | 45 | 5RD-F | |
| ELM1XXX5RT | GaP/GaP | 700 | RED | TINTED | 20 | 2.1 | 2.8 | 2 | 35 | 5RT | |
| ELM1XXX5BC-A/G | GaAsP/GaP | 605 | AMBER | WHITE DIFFUSED | 30 | 2.0 | 2.8 | 6 | 45 | 5BC-A/G-F | |
| | GaP/GaP | 568 | GREEN | | 30 | 2.1 | 2.8 | 6 | | | |
| ELM1XXX5BC | GaAsP/GaP | 625 | RED | WHITE DIFFUSED | 30 | 2.0 | 2.8 | 6 | 45 | 5BC-F | |
| | GaP/GaP | 568 | GREEN | | 30 | 2.1 | 2.8 | 8 | | | |
| ELM1XXX5BC-R/Y | GaAsP/GaP | 625 | RED | WHITE DIFFUSED | 30 | 2.0 | 2.8 | 6 | 45 | 5BC-R/Y-F | |
| | GaAsP/GaP | 590 | YELLOW | | 30 | 2.0 | 2.8 | 5 | | | |
| ELM1XXX5BC-Y/G | GaAsP/GaP | 590 | YELLOW | WHITE DIFFUSED | 30 | 2.0 | 2.8 | 5 | 45 | 5BC-Y/G-F | |
| | GaP/GaP | 568 | GREEN | | 30 | 2.1 | 2.8 | 8 | | | |

| | | | |
|---|--------------------------|--|-----------------------|
| STANDARD TOLERANCE (UNLESS OTHERWISE SPECIFIED) ±10% ALL VALUES | |  BIVAR [®] 4 THOMAS, IRVINE, CA. 92618 TEL: (949) 951-8808 FAX: (949) 951-3974 | |
| ANGULAR X° ± 5° | | | |
|  | | TITLE: EXTRUDED VERTICAL T-1¼ (5mm) LED NARROW PROFILE ASSY | |
| DESIGNED: Minh Doan | DATE: 07/26/12 | PART NO: ELM1XXX5XX | REVISION: N |
| CHECKED: T. Yin | DATE: 07/26/12 | CAGE CODE : 32559 | SHEET # 2 OF 5 |
| CAD GENERATED DOCUMENT, DO NOT MEASURE DRAWING. | | | |

| | | | |
|------|--------------|------|----------|
| REV. | DESCRIPTION | DATE | APPROVED |
| | SEE SHEET#1. | | |


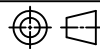
| LED Assy. No. | Chip | | | Lens Appearance | Electro-Optical Data @ 20mA | | | | Viewing Angle 2 θ ½ (Deg) | LED P/N |
|---------------|-------------|------------------|---------------|-----------------|-----------------------------|--------|-----|----------|---------------------------------|------------|
| | Material | Peak Wave Length | Emitted Color | | If (mA) | Vf (V) | | Iv (mcd) | | |
| | | | | | MAX | TYP | MAX | TYP | | |
| EML1XXX5UBWC | InGaN/SiC | 468 | BLUE | WATER CLEAR | 76 | 3.7 | 4.5 | 2500 | 15 | 5BWC2.515F |
| ELM1XXX5SGC | GaP/GaP | 568 | GREEN | WATER CLEAR | 30 | 2.1 | 2.8 | 60 | 35 | 5SGC-F |
| ELM1XXX5SGD | GaP/GaP | 568 | GREEN | DIFFUSED | 30 | 2.1 | 2.8 | 50 | 40 | 5SGD-F |
| ELM1XXX5SGT | GaP/GaP | 568 | GREEN | TINTED | 30 | 2.1 | 2.8 | 60 | 35 | 5SGT-F |
| ELM1XXX5SYC | GaAsP/GaP | 590 | YELLOW | WATER CLEAR | 30 | 2.0 | 2.8 | 600 | 35 | 5SYC-F |
| ELM1XXX5SYD | GaAsP/GaP | 590 | YELLOW | DIFFUSED | 30 | 2.0 | 2.8 | 150 | 40 | 5SYD-F |
| ELM1XXX5SYT | GaAsP/GaP | 590 | YELLOW | TINTED | 30 | 2.0 | 2.8 | 600 | 35 | 5SYT-F |
| ELM1XXX5SRC | GaAlAs/GaAs | 645 | SUPER RED | WATER CLEAR | 30 | 1.7 | 2.4 | 60 | 35 | 5SRC-F |
| ELM1XXX5SRD | GaAlAs/GaAs | 645 | SUPER RED | DIFFUSED | 30 | 1.7 | 2.4 | 40 | 40 | 5SRD-F |
| ELM1XXX5SRT | GaAlAs/GaAs | 645 | SUPER RED | TINTED | 30 | 1.7 | 2.4 | 60 | 35 | 5SRT-F |
| ELM1XXX5UGC | AlGaInP | 570 | GREEN | WATER CLEAR | 30 | 2.1 | 2.4 | 400 | 35 | 5UGC-F |
| ELM1XXX5SUGC | AlGaInP | 570 | GREEN | WATER CLEAR | 30 | 2.1 | 2.4 | 300 | 35 | 5SUGC-F |
| ELM1XXX5UYC | AlGaInP | 590 | YELLOW | WATER CLEAR | 30 | 2.0 | 2.4 | 1000 | 30 | 5UYC-F |
| ELM1XXX5SUYC | AlGaInP | 590 | YELLOW | WATER CLEAR | 30 | 2.0 | 2.4 | 700 | 35 | 5SUYC-F |
| ELM1XXX5UUYC | AlGaInP | 590 | YELLOW | WATER CLEAR | 30 | 2.0 | 2.4 | 500 | 35 | 5UUYC-F |
| ELM1XXX5UOC | AlGaInP | 625 | ORANGE | WATER CLEAR | 30 | 1.8 | 2.4 | 1400 | 35 | 5UOC-F |
| ELM1XXX5UOC | AlGaInP | 625 | ORANGE | WATER CLEAR | 30 | 1.8 | 2.4 | 1300 | 35 | 5SUOC-F |
| ELM1XXX5URC | GaAlAs/GaAs | 645 | RED | WATER CLEAR | 30 | 1.7 | 2.4 | 400 | 30 | 5URC-F |
| ELM1XXX5SURC | AlGaInP | 640 | RED | WATER CLEAR | 30 | 1.8 | 2.4 | 500 | 35 | 5SURC-F |
| ELM1XXX5UWC | InGaN/SiC | 6500K | WHITE | WATER CLEAR | 100 | 3.5 | 4.2 | 2700 | 30 | 5WC2.730F |

| | | | |
|---|--|--|---|
| STANDARD TOLERANCE (UNLESS OTHERWISE SPECIFIED) ±10% ALL VALUES | |  BIVAR [®] 4 THOMAS, IRVINE, CA. 92618 TEL: (949) 951-8808 FAX: (949) 951-3974 | |
| ANGULAR X° ± 5° | | | |
| DESIGNED: Minh Doan | | DATE: 07/26/12 | TITLE: EXTRUDED VERTICAL T-1¼ (5mm) LED NARROW PROFILE ASSY PART NO: ELM1XXX5XX REVISION: N |
| CHECKED: T. Yin | | DATE: 07/26/12 | |
| | | CAGE CODE : 32559 | SHEET # 3 OF 5 |
| CAD GENERATED DOCUMENT, DO NOT MEASURE DRAWING. | | | |

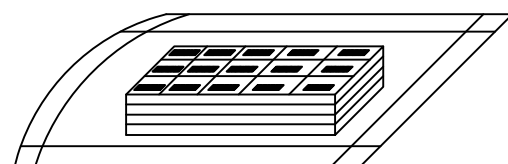
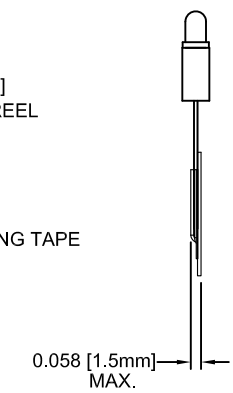
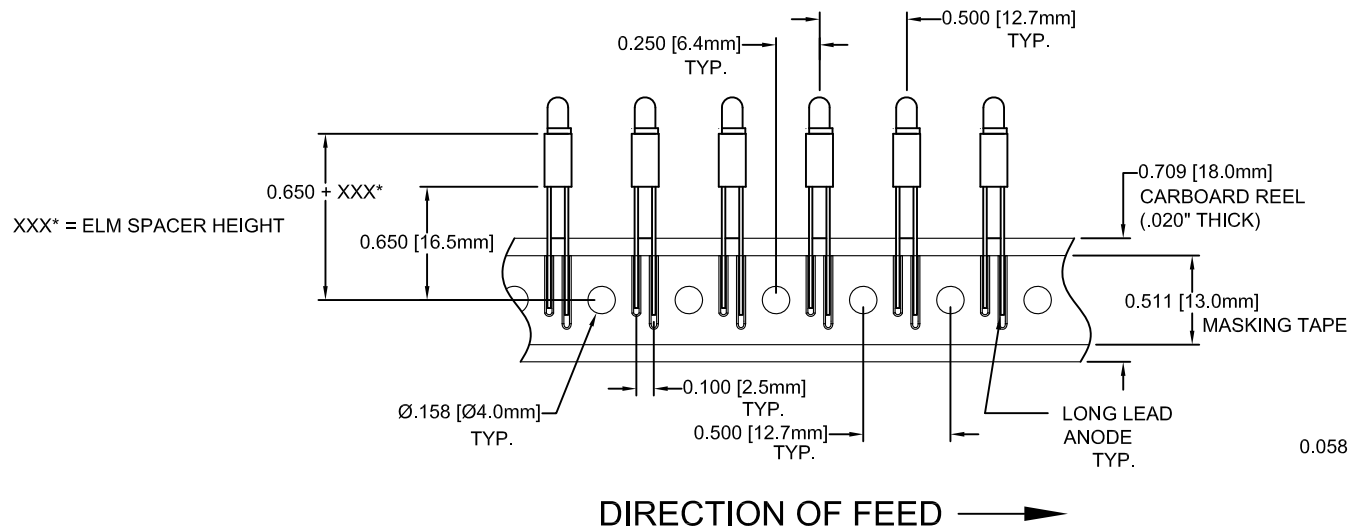
| | | | |
|------|--------------|------|----------|
| REV. | DESCRIPTION | DATE | APPROVED |
| | SEE SHEET#1. | | |

| LED Assy. No. | Peak Wave Length λ_p (nm) | Emitted Color | Lens Appearance | Max. Rating | Electro-Optical Data @ 2mA | | | Viewing Angle 2 θ ½ (Deg) | LED P/N |
|---------------|--------------------------------------|---------------|-----------------|-------------|----------------------------|-----|-------------|--|---------|
| | | | | If (mA) | Vf (V) | | Iv (mcd) | | |
| | | | | MAX | TYP | MAX | TYP | | |
| ELM1XXX5BWDL | 430 | BLUE | DIFFUSED | 7 | 3.8 | 4.2 | 4 | 40 | 5BWDL-F |
| ELM1XXX5PGDL | 555 | PURE GREEN | DIFFUSED | 7 | 2.1 | 2.6 | 1 | 40 | 5PGDL-F |
| ELM1XXX5GDL | 568 | GREEN | DIFFUSED | 7 | 2.1 | 2.6 | 4 | 40 | 5GDL-F |
| ELM1XXX5YDL | 590 | YELLOW | DIFFUSED | 7 | 2.0 | 2.6 | 4 | 40 | 5YDL-F |
| ELM1XXX5ADL | 605 | AMBER | DIFFUSED | 7 | 2.0 | 2.6 | 4 | 40 | 5ADL-F |
| ELM1XXX5HDL | 625 | HE RED | DIFFUSED | 7 | 2.0 | 2.6 | 5 | 40 | 5HDL-F |
| ELM1XXX5SRDL | 645 | SUPER RED | DIFFUSED | 7 | 1.7 | 2.3 | 6 | 40 | 5SRDL-F |

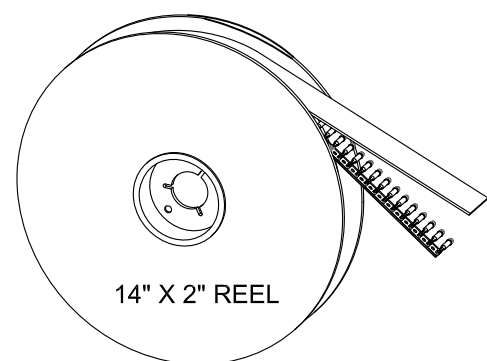
| Assembly P/N | Peak Wave Length λ_p (nm) | Emitted Color | Lens Appearance | Electro-Optical Data | | | | Viewing Angle 2 θ ½ (Deg) | LED P/N |
|----------------|--------------------------------------|---------------|-----------------|----------------------|-----------|-----|-------------|--|----------|
| | | | | If (mA) | Vf (V) | | Iv (mcd) | | |
| | | | | MAX | TYP | MAX | TYP | | |
| 5 Volt | | | | Data @ 5V | | | | | |
| ELM1XXX5BWD5V | BLUE | 430 | DIFFUSED | - | - | 5 | 15 | 40 | 5BWD5V-F |
| ELM1XXX5GC5V | GREEN | 568 | WATER CLEAR | - | - | 5 | 40 | 40 | 5GC5V-F |
| ELM1XXX5GD5V | GREEN | 568 | DIFFUSED | - | - | 5 | 25 | 40 | 5GD5V-F |
| ELM1XXX5GT5V | GREEN | 568 | TINTED | - | - | 5 | 40 | 40 | 5GT5V-F |
| ELM1XXX5AD5V | AMBER | 605 | DIFFUSED | - | - | 5 | 25 | 40 | 5AD5V-F |
| ELM1XXX5HD5V | HE RED | 625 | DIFFUSED | - | - | 5 | 30 | 40 | 5HD5V-F |
| ELM1XXX5RD5V | RED | 700 | DIFFUSED | - | - | 5 | 1.5 | 40 | 5RD5V-F |
| ELM1XXX5YD5V | YELLOW | 590 | DIFFUSED | - | - | 5 | 25 | 40 | 5YD5V-F |
| 12 Volt | | | | Data @ 12V | | | | | |
| ELM1XXX5GC12V | GREEN | 568 | WATER CLEAR | - | - | 12 | 40 | 35 | 5GC12V-F |
| ELM1XXX5GD12V | GREEN | 568 | DIFFUSED | - | - | 12 | 25 | 40 | 5GD12V-F |
| ELM1XXX5HC12V | HE RED | 625 | WATER CLEAR | - | - | 12 | 50 | 35 | 5HC12V-F |
| ELM1XXX5HD12V | HE RED | 625 | DIFFUSED | - | - | 12 | 30 | 40 | 5HD12V-F |
| ELM1XXX5RC12V | RED | 700 | WATER CLEAR | - | - | 12 | 2 | 35 | 5RC12V-F |
| ELM1XXX5RD12V | RED | 700 | DIFFUSED | - | - | 12 | 1.5 | 40 | 5RD12V-F |
| ELM1XXX5YC12V | YELLOW | 590 | WATER CLEAR | - | - | 12 | 25 | 35 | 5YC12V-F |
| ELM1XXX5YD12V | YELLOW | 590 | DIFFUSED | - | - | 12 | 20 | 40 | 5YD12V-F |

| | | |
|---|--------------------------|--|
| STANDARD TOLERANCE (UNLESS OTHERWISE SPECIFIED) $\pm 10\%$ ALL VALUES | |  BIVAR [®] 4 THOMAS, IRVINE, CA. 92618 TEL: (949) 951-8808 FAX: (949) 951-3974 |
| ANGULAR X° ± 5° | | |
|  | | TITLE: EXTRUDED VERTICAL T-1¼ (5mm) LED NARROW PROFILE ASSY |
| DESIGNED: Minh Doan | DATE: 07/26/12 | PART NO: ELM1XXX5XX |
| CHECKED: T. Yin | DATE: 07/26/12 | CAGE CODE: 32559 SHEET # 4 OF 5 |
| CAD GENERATED DOCUMENT, DO NOT MEASURE DRAWING. | | |

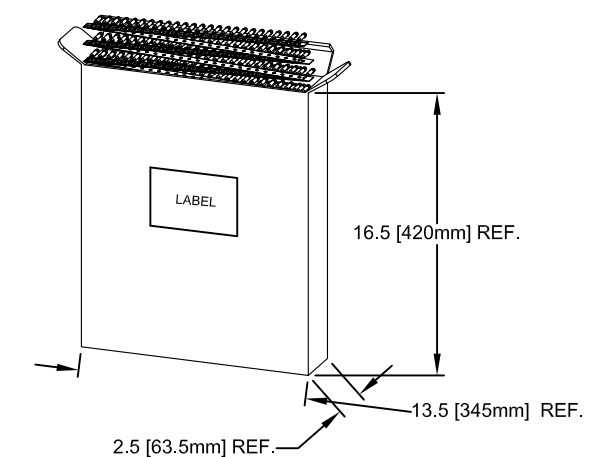
| REV. | DESCRIPTION | DATE | APPROVED |
|------|--------------|------|----------|
| | SEE SHEET #1 | | |
| | | | |
| | | | |
| | | | |



STANDARD PACKAGING TRAY



TAPE & REEL
1,000 pcs / reel



AMMO PACK
2,000 pcs / box

NOTE:

1. STANDARD PART NUMBERS ARE PACKAGED IN LOOSE PIECES USING PACKAGING TRAYS
2. ADD "T" SUFFIX TO PART NUMBER FOR TAPE AND REEL PACKAGING OPTION (1,000 PCS/REEL)
3. ADD "A" SUFFIX TO PART NUMBER FOR AMMO PACK OPTION (2,000 PCS/BOX)
4. TAPE AND REEL PACKAGING COMPLY TO EIA-468-C

| | | | |
|--|--------------------------|---|----------------|
| STANDARD TOLERANCE (UNLESS OTHERWISE SPECIFIED) | | BIVAR [®] 4 THOMAS, IRVINE, CA. 92618 TEL: (949) 951-8808 FAX: (949) 951-3974 | |
| DECIMALS | ANGULAR | | |
| .X ± .1 | X° ± 1° | TITLE: EXTRUDED VERTICAL T-1 3/4 (5mm) LED NARROW PROFILE ASSY PART NO: ELM1XXX5XX REVISION: N | |
| .XX ± .02 | | | |
| .XXX ± .010 | | | |
| DESIGNED: Ty Yin | DATE: 03/10/04 | CAGE CODE : 32559 | SHEET # 5 OF 5 |
| CHECKED: David Green | DATE: 03/10/04 | CAD GENERATED DOCUMENT. DO NOT MEASURE DRAWING. | |

Компания «Life Electronics» занимается поставками электронных компонентов импортного и отечественного производства от производителей и со складов крупных дистрибьюторов Европы, Америки и Азии.

С конца 2013 года компания активно расширяет линейку поставок компонентов по направлению коаксиальный кабель, кварцевые генераторы и конденсаторы (керамические, пленочные, электролитические), за счёт заключения дистрибьюторских договоров

Мы предлагаем:

- Конкуренспособные цены и скидки постоянным клиентам.
- Специальные условия для постоянных клиентов.
- Подбор аналогов.
- Поставку компонентов в любых объемах, удовлетворяющих вашим потребностям.
- Приемлемые сроки поставки, возможна ускоренная поставка.
- Доставку товара в любую точку России и стран СНГ.
- Комплексную поставку.
- Работу по проектам и поставку образцов.
- Формирование склада под заказчика.
- Сертификаты соответствия на поставляемую продукцию (по желанию клиента).
- Тестирование поставляемой продукции.
- Поставку компонентов, требующих военную и космическую приемку.
- Входной контроль качества.
- Наличие сертификата ISO.

В составе нашей компании организован Конструкторский отдел, призванный помогать разработчикам, и инженерам.

Конструкторский отдел помогает осуществить:

- Регистрацию проекта у производителя компонентов.
- Техническую поддержку проекта.
- Защиту от снятия компонента с производства.
- Оценку стоимости проекта по компонентам.
- Изготовление тестовой платы монтаж и пусконаладочные работы.



Тел: +7 (812) 336 43 04 (многоканальный)

Email: org@lifeelectronics.ru