

# Ultra-Low Pressure Digital Sensor

SM9541 Series



## Features

- Fully digital, pressure calibrated and temperature compensated output
- I<sup>2</sup>C Digital Interface
- Compensated temperature range: -5 to 65°C
- Compound gage and differential pressure configurations
- Insensitive to mounting orientation
- Robust JEDEC SOIC-16 package for automated assembly
- Manufactured according to ISO9001 and ISO/TS 16949 standards
- RoHS & REACH compliant
- Pressure ranges from 10 cm\*H<sub>2</sub>O to 140 cm\*H<sub>2</sub>O (0.14 to 2 PSI)

## Description

The SM9541 Series is a digital, low pressure MEMS sensor family offering state-of-the-art pressure transducer technology and CMOS mixed signal processing technology to produce a digital, fully conditioned, multi-order pressure and temperature compensated sensor in JEDEC standard SOIC-16 package with a dual vertical porting option. It is available in both compound gage or differential pressure configurations. With the dual porting, a vacuum-gage measurement is possible to minimize altitude errors due to changes in ambient pressure.

Combining the pressure sensor with a signal-conditioning ASIC in a single package simplifies the use of advanced silicon micro-machined pressure sensors. The pressure sensor can be mounted directly on a standard printed circuit board and a high level, calibrated pressure signal can be acquired from the digital interface. This eliminates the need for additional circuitry, such as a compensation network or microcontroller containing a custom correction algorithm.

The SM9541 is shipped in sticks or tape & reel.

## Potential Applications

| Medical                         | Industrial               | Consumer         |
|---------------------------------|--------------------------|------------------|
| Sleep Apnea                     | Airflow Measurement      | Sports Equipment |
| CPAP                            | Pneumatic Gages          | Appliances       |
| Ventilators                     | Pressure Switches        |                  |
| Oxygenators                     | Safety Cabinets          |                  |
| Negative Pressure Wound Therapy | Life Sciences            |                  |
| Air Flow Monitors               | Gas Flow Instrumentation |                  |
| Gas Flow Instrumentation        | Liquid Level Measurement |                  |

## Absolute Maximum Ratings

All parameters are specified at V<sub>DD</sub> = 3.3 V supply voltage at 25°C, unless otherwise noted.

| No. | Characteristic            | Symbol           | Minimum | Typical | Maximum | Units |
|-----|---------------------------|------------------|---------|---------|---------|-------|
| 1   | Supply Voltage            | V <sub>DD</sub>  | 0.0     |         | 6.0     | V     |
| 2   | Supply Current            | I <sub>DD</sub>  | 0.0     | 2.0     | 4.0     | mA    |
| 3   | Update Period             |                  |         |         | 2       | ms    |
| 4   | Operating Temperature (a) | T <sub>OP</sub>  | -5      | 32      | +65     | °C    |
| 5   | Storage Temperature (a)   | T <sub>STG</sub> | -40     | -       | +125    | °C    |
| 6   | Media Compatibility (a,b) |                  |         |         |         |       |

### Notes:

a. Tested on a sample basis.

b. Clean, dry gas compatible with wetted materials. Wetted materials include Pyrex glass, silicon, alumina ceramic, epoxy, RTV, gold, aluminum, and nickel.

| No. | Product Number      | Operating Pressure             | Proof Pressure (P <sub>PROOF</sub> ) <sup>(a)</sup> | Burst Pressure (P <sub>BURST</sub> ) <sup>(a)</sup> |
|-----|---------------------|--------------------------------|---|---|
| 7   | SM9541-010C-S-C-3-S | -0.5 to 10 cmH <sub>2</sub> O  | ±1.5 PSI  | ±3.0 PSI  |
| 8   | SM9541-010C-D-C-3-S | -10 to 10 cmH <sub>2</sub> O   |   |   |
| 9   | SM9541-020C-S-C-3-S | -1 to 20 cmH <sub>2</sub> O    | ±4.8 PSI  | ±6.0 PSI  |
| 10  | SM9541-020C-D-C-3-S | -20 to 20 cmH <sub>2</sub> O   |   |   |
| 11  | SM9541-040C-S-C-3-S | -5 to 40 cmH <sub>2</sub> O    |   |   |
| 12  | SM9541-040C-D-C-3-S | -40 to 40 cmH <sub>2</sub> O   |   |   |
| 13  | SM9541-100C-S-C-3-S | -5 to 100 cmH <sub>2</sub> O   | ±12 PSI   | ±15 PSI   |
| 14  | SM9541-100C-D-C-3-S | -100 to 100 cmH <sub>2</sub> O |   |   |
| 15  | SM9541-140C-S-C-3-S | -20 to 140 cmH <sub>2</sub> O  |   |   |

## Operating Characteristics - Specifications

All parameters are specified at V<sub>DD</sub> = 3.3 V DC supply voltage at 25°C, unless otherwise noted.

| Compound Gage |  |                    |         |         |         |        |
|---------------|--|--------------------|---------|---------|---------|--------|
| No.           | Characteristic                                   | Symbol             | Minimum | Typical | Maximum | Units  |
| 16            | Supply Voltage                                   | V <sub>DD</sub>    | 3.0     | 3.3     | 3.6     | V      |
| 17            | Pressure Output @ P <sub>MIN</sub>               | Out <sub>MIN</sub> |         | 1,638   |         | Counts |
| 18            | Pressure Output @ P <sub>MAX</sub>               | Out <sub>MAX</sub> |         | 14,745  |         | Counts |
| 19            | Full Scale (-0.5 to 10 cmH <sub>2</sub> O) Span  | FSP                |         | 13,107  |         | Counts |
| 20            | Full Scale (-1 to 20 cmH <sub>2</sub> O) Span    |                    |         |         |         |        |
| 21            | Full Scale (-5 to 40 cmH <sub>2</sub> O) Span    |                    |         |         |         |        |
| 22            | Full Scale (-5 to 100 cmH <sub>2</sub> O) Span   |                    |         |         |         |        |
| 23            | Full Scale (-20 to +140 cmH <sub>2</sub> O) Span |                    |         |         |         |        |
| 24            | Resolution                                       |                    |         | 14      |         | Bits   |
| 25            | Accuracy (c,d)                                   | ACC                | -1      |         | +1      | %FS    |
| 26            | Compensated Temperature Range                    | T <sub>COMP</sub>  | -5      |         | +65     | °C     |

### Notes:

c. The accuracy specification applies over all operating conditions. This specification includes the combination of linearity, repeatability, and hysteresis errors over pressure, temperature, and voltage.

d. Maximum 10-year zero pressure offset shift < ±2%FS based on 1000 hours of HTOL testing.

## Operating Characteristics - Specifications

All parameters are specified at  $V_{SUPPLY} = 3.3$  V DC supply voltage at 25°C, unless otherwise noted.

| Differential |  |             |         |         |         |        |
|--------------|--|-------------|---------|---------|---------|--------|
| No.          | Characteristic                                   | Symbol      | Minimum | Typical | Maximum | Units  |
| 27           | Supply Voltage                                   | $V_{DD}$    | 3.0     | 3.3     | 3.6     | V      |
| 28           | Pressure Output @ $P_{MIN}$                      | $OUT_{MIN}$ |         | 1,638   |         | Counts |
| 29           | Pressure Output @ $P_{MAX}$                      | $OUT_{MAX}$ |         | 14,745  |         | Counts |
| 30           | Full Scale (-10 to 10 cmH <sub>2</sub> O) Span   | FSP         |         | 13,107  |         | Counts |
| 31           | Full Scale (-20 to 20 cmH <sub>2</sub> O) Span   |             |         |         |         |        |
| 32           | Full Scale (-40 to 40 cmH <sub>2</sub> O) Span   |             |         |         |         |        |
| 33           | Full Scale (-100 to 100 cmH <sub>2</sub> O) Span |             |         |         |         |        |
| 34           | Resolution                                       |             |         | 14      |         | Bits   |
| 35           | Accuracy <sup>(d,e)</sup>                        | ACC         | -1      |         | +1      | %FS    |
| 36           | Compensated Temperature Range                    | $T_{COMP}$  | -5      |         | +65     | °C     |

### Notes:

d. Maximum 10-year zero pressure offset shift < ±2%FS based on 1000 hours of HTOL testing.

e. The accuracy specification applies over all operating conditions. This specification includes the combination of linearity, repeatability, and hysteresis errors over pressure, temperature, and voltage.

## Qualification Standards

- REACH Compliant
- RoHS Compliant
- PFOS/PFOA Compliant
- For qualification specifications, please contact Sales at [sales@si-micro.com](mailto:sales@si-micro.com)



## SM9541 – I<sup>2</sup>C Communication

### 1. SCL Clock frequency:

100kHz to 400kHz

### 2. Slave Address

- The factory setting for the I<sup>2</sup>C slave address is 28HEX. The part will only respond to the set address.

### 3. Read Operations

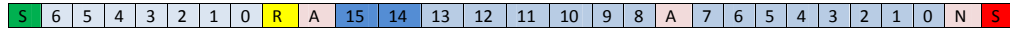
- For read operations, the I<sup>2</sup>C master command starts with the 7-bit slave address with the 8th bit = 1 (READ). The SM9541 as the slave sends an acknowledge (ACK) indicating success.
- The SM9541 has four I<sup>2</sup>C read commands: Read\_DF2, Read\_DF3, and Read\_DF4. The following figures show the structure of the measurement packet for three of the four I<sup>2</sup>C read commands, which are further explained below.

#### 3.1 I<sup>2</sup>C Read\_DF (Data Fetch):

- For the Data Fetch commands, the number of data bytes returned by the SM9541 is determined by when the master sends the NACK and stop condition.

- For the Read\_DF3 data fetch command (Data Fetch 3 Bytes), the SM9541 returns three bytes in response to the master sending the slave address and the READ bit (1): two bytes of bridge data with the two status bits as the MSBs and then 1 byte of temperature data (8-bit accuracy). After receiving the required number of data bytes, the master sends the NACK and stop condition to terminate the read operation.
- For the Read\_DF4 command, the master delays sending the NACK and continues reading an additional final byte to acquire the full corrected 11-bit temperature measurement. In this case, the last 5 bits of the final byte of the packet are undetermined and should be masked off in the application.
- The Read\_DF2 command is used if corrected temperature is not required. The master terminates the READ operation after the two bytes of bridge data.

- I2C Read\_DF2 – Data Fetch 2 Bytes:
  - Slave returns only pressure data to the master in 2 bytes.
  - Start Condition – Device Slave Address [6:0] – Read/Write Bit (Read = 1) – Wait for Slave ACK – 2 status bits – 6 pressure bits [13:8] – Master ACK – 8 pressure bits [7:0] – Master NACK – Stop Condition

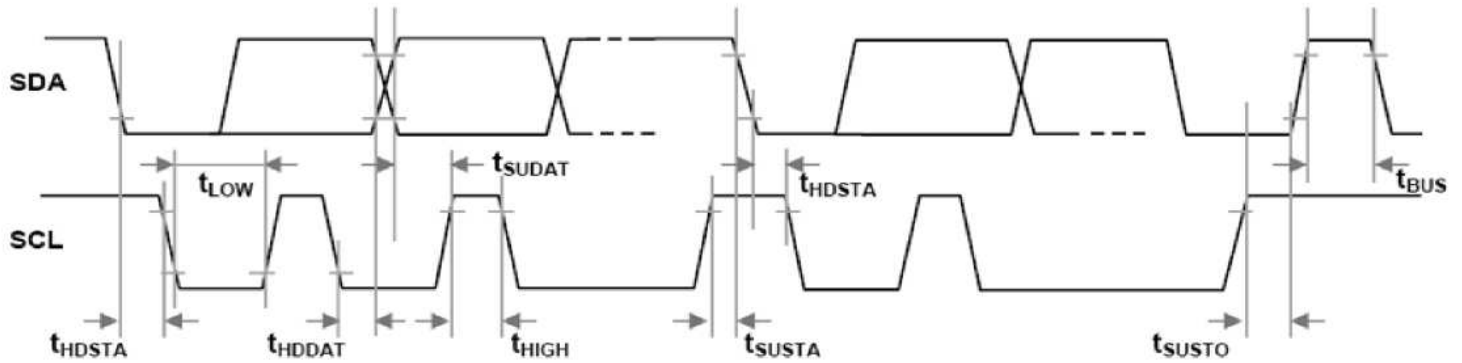


- I2C Read\_DF3 – Data Fetch 3 Bytes:
  - Slave returns 2 pressure data bytes and temperature high byte [10:3] to the master.
  - Start Condition – Device Slave Address [6:0] – Read/Write Bit (Read = 1) – Wait for Slave ACK – 2 status bits – 6 pressure bits [13:8] – Master ACK – 8 pressure bits [7:0] – Master ACK – 8 temperature bits [10:3] – Master NACK – Stop Condition



- I2C Read\_DF4 – Data Fetch 4 Bytes:
  - Slave returns 2 pressure data bytes and and 2 temperature bytes ([10:3] and [2:0]xxxxx) to the master.
  - Start Condition – Device Slave Address [6:0] – Read/Write Bit (Read = 1) – Wait for Slave ACK – 2 status bits – 6 pressure bits [13:8] – Master ACK – 8 pressure bits [7:0] – Master ACK – 8 temperature bits [10:3] – Master ACK – 3 temperature bits [2:0] – Master NACK – Stop Condition



I<sup>2</sup>C Timing


| Parameter  | Symbol      | MIN | TYP | MAX | Units   |
|--|-------------|-----|-----|-----|---------|
| SCL Clock Frequency                                      | $F_{SCL}$   | 100 |     | 400 | kHz     |
| Start Condition Hold Time Relative to SCL Edge           | $t_{HDSTA}$ | 0.1 |     |     | $\mu$ s |
| Minimum SCL Clock Low Width <sup>1</sup>                 | $t_{LOW}$   | 0.6 |     |     | $\mu$ s |
| Minimum SCL Clock High Width <sup>1</sup>                | $t_{HIGH}$  | 0.6 |     |     | $\mu$ s |
| Start Condition Hold Time Relative to SCL Edge           | $t_{SUSTA}$ | 0.1 |     |     | $\mu$ s |
| Data Hold Time on SDA Relative to SCL Edge               | $t_{HDDAT}$ | 0.0 |     |     | $\mu$ s |
| Data Setup Time on SDA Relative to SCL Edge              | $t_{SUDAT}$ | 0.1 |     |     | $\mu$ s |
| Stop Condition Setup Time on SCL                         | $t_{SUSTO}$ | 0.1 |     |     | $\mu$ s |
| Bus Free Time Between Stop Condition and Start Condition | $t_{BUS}$   | 2.0 |     |     | $\mu$ s |

### 5. Differences SM9541 I<sup>2</sup>C Protocol vs. Original I<sup>2</sup>C protocol

- **Note: There are three differences in the SM9541 protocol compared with the original I<sup>2</sup>C protocol**
- Sending a start-stop condition without any transitions on the CLK line (no clock pulses in between) created a communication error for the next communication, even if the next start condition is correct and the clock pulse is applied. An additional start condition must be sent, which results in restoration of proper communication.
- The restart condition - a falling SDA edge during data transmission when the CLK clock line is still high - creates the same situation. The next communication fails, and an additional start condition must be sent for correct communication.
- A failing SDA edge is not allowed between the start condition and the first rising SCL edge. If using an I<sup>2</sup>C address with the first bit 0, SDA must be held low from the start condition through the first bit.

### 6. Diagnostic Features – Status Bits

- The SM9541 offers diagnostic features to ensure robust system operation. The diagnostic states are indicated by a transmission of the status of the 2 MSBs of the pressure high byte data.

| Status Bits (2 MSBs of Output Packet) | Symbol  |
|---------------------------------------|---|
| 00                                    | Normal operation, good data packet (not applicable)                             |
| 01                                    | Device in Command Mode (not applicable for normal operation)                    |
| 10 <sup>(1)</sup>                     | Stale data: Data that has already been fetched since the last measurement cycle |
| 11                                    | Diagnostic condition exists   |

Note<sup>(1)</sup>: If a data fetch is performed before or during the first measurement after power-on reset, then “stale” will be returned, but this data is actually invalid because the first measurement has not been completed.

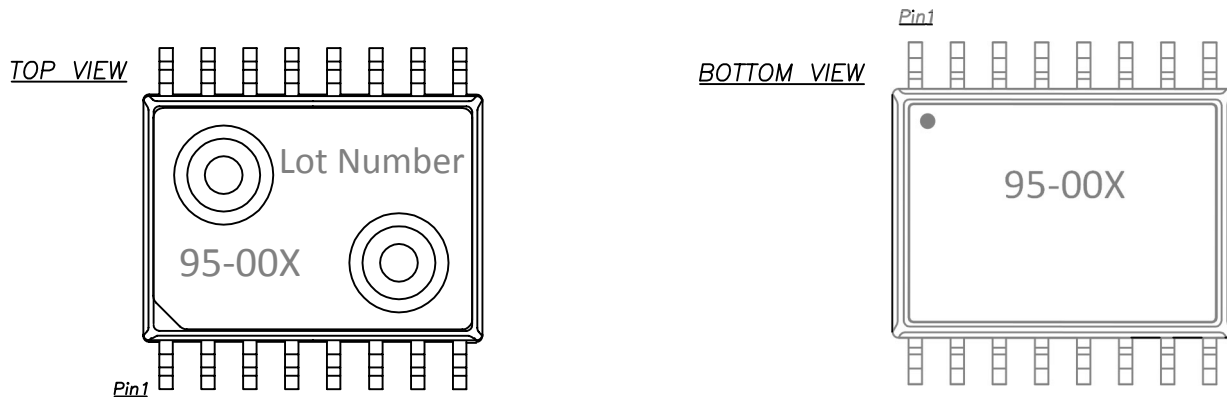
- When the two MSBs are 11, one of the following faults listed below is indicated:
  - Invalid EEPROM signature
  - Loss of bridge positive or negative
  - Bridge input short
  - Loss of bridge source
- All diagnostics are detected in the next measurement cycle and reported in the subsequent data fetch. Once a diagnostic is reported, the diagnostic status bits will not change unless both the cause of the diagnostic is fixed and a power-on-reset is performed.

## SOIC-16 Package Dimensions



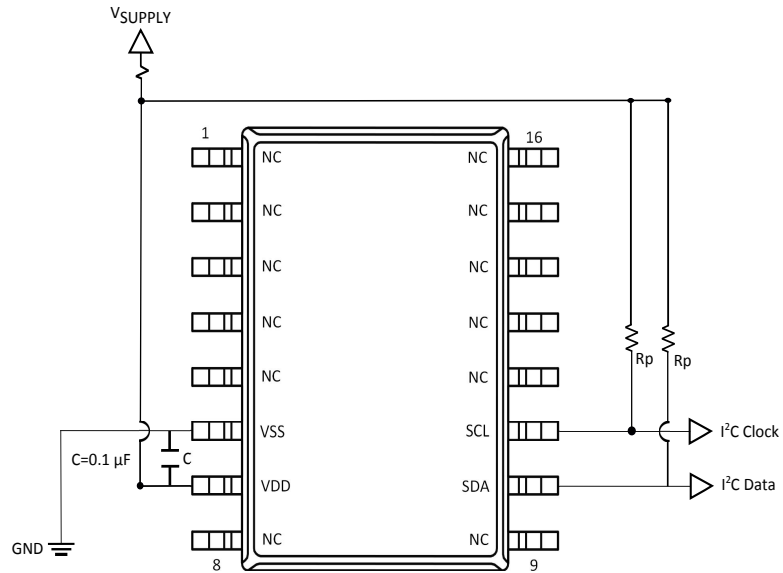
- All dimensions in units of [mm]
- Moisture Sensitivity Level (MSL): Level 3
- Wetted materials: Silicon, glass, copper, silicone, epoxy, mold compound.
- Tolerance on all dimensions  $\pm 0.13$  mm unless otherwise specified.
- [B] is tube connected to bottom side of sensor die.
- [T] is tube connected to top side of sensor die. Topside pressure is positive pressure. An increase in topside pressure will result in an increase in sensor output

## Part & Lot Number Identification





SM9541 + Family Applications Circuit



"C" needs to be in close proximity of the device

Rp = Pull-up Resistors  
 For Example: 4.7 kΩ Resistors

Package Labeling

| Pin Number | Pin Function    |
|------------|-----------------|
| 1          | NC (No Connect) |
| 2          | NC              |
| 3          | NC              |
| 4          | NC              |
| 5          | NC              |
| 6          | VSS             |
| 7          | VDD             |
| 8          | NC              |
| 9          | NC              |
| 10         | SDA             |
| 11         | SCL             |
| 12         | NC              |
| 13         | NC              |
| 14         | NC              |
| 15         | NC              |
| 16         | NC              |

NOTES:

- Do not make electrical connections to NC pins as this can adversely affect the output of the sensor

## Ordering Information

| Order Code          | Part Marking | Negative Pressure Range | Positive Pressure Range | Pressure Type  | Tube Configuration | Shipping Method      |
|---------------------|--------------|-------------------------|-------------------------|----------------|--------------------|----------------------|
| SM9541-010C-S-C-3-S | 95 - 001     | -0.5 cmH <sub>2</sub> O | 10 cmH <sub>2</sub> O   | Compound Gauge | Dual Vertical      | 45 Units (per stick) |
| SM9541-010C-D-C-3-S | 95 - 001     | -10 cmH <sub>2</sub> O  | 10 cmH <sub>2</sub> O   | Differential   |                    |                      |
| SM9541-020C-S-C-3-S | 95 - 002     | -1 cmH <sub>2</sub> O   | 20 cmH <sub>2</sub> O   | Compound Gauge |                    |                      |
| SM9541-020C-D-C-3-S | 95 - 002     | -20 cmH <sub>2</sub> O  | 20 cmH <sub>2</sub> O   | Differential   |                    |                      |
| SM9541-040C-S-C-3-S | 95 - 002     | -5 cmH <sub>2</sub> O   | 40 cmH <sub>2</sub> O   | Compound Gauge |                    |                      |
| SM9541-040C-D-C-3-S | 95 - 002     | -40 cmH <sub>2</sub> O  | 40 cmH <sub>2</sub> O   | Differential   |                    |                      |
| SM9541-100C-S-C-3-S | 95 - 003     | -5 cmH <sub>2</sub> O   | 100 cmH <sub>2</sub> O  | Compound Gauge |                    |                      |
| SM9541-100C-D-C-3-S | 95 - 003     | -100 cmH <sub>2</sub> O | 100 cmH <sub>2</sub> O  | Differential   |                    |                      |
| SM9541-140C-S-C-3-S | 95 - 003     | -20 cmH <sub>2</sub> O  | 140 cmH <sub>2</sub> O  | Compound Gauge |                    |                      |

## Part Number Legend:



## Pressure Conversion Chart

| Unit                | 10 cmH <sub>2</sub> O | 20 cmH <sub>2</sub> O | 40 cmH <sub>2</sub> O | 100 cmH <sub>2</sub> O | 140 cmH <sub>2</sub> O |
|---------------------|-----------------------|-----------------------|-----------------------|------------------------|------------------------|
| PSI                 | 0.14                  | 0.3                   | 0.6                   | 1.4                    | 2.0                    |
| kPa                 | 1                     | 2                     | 4                     | 10                     | 14                     |
| mbar                | 10                    | 20                    | 39                    | 98                     | 137                    |
| bar                 | 0.01                  | 0.02                  | 0.04                  | 0.10                   | 0.14                   |
| in*H <sub>2</sub> O | 4                     | 8                     | 16                    | 39                     | 55                     |
| mm*Hg               | 7.4                   | 15                    | 29                    | 74                     | 103                    |
| hPa                 | 10                    | 20                    | 39                    | 98                     | 137                    |
| in*Hg               | 0.29                  | 0.58                  | 1.16                  | 2.9                    | 4.0                    |
| Pa                  | 981                   | 1,961                 | 3,923                 | 9,807                  | 13,729                 |

## Silicon Microstructures Warranty and Disclaimer:

Silicon Microstructures, Inc. reserves the right to make changes without further notice to any products herein and to amend the contents of this data sheet at any time and at its sole discretion.

Information in this document is provided solely to enable software and system implementers to use Silicon Microstructures, Inc. products and/or services. No express or implied copyright licenses are granted hereunder to design or fabricate any silicon-based microstructures based on the information in this document.

Silicon Microstructures, Inc. makes no warranty, representation, or guarantee regarding the suitability of its products for any particular purpose, nor does Silicon Microstructures, Inc. assume any liability arising out of the application or use of any product or silicon-based microstructure, and specifically disclaims any and all liability, including without limitation consequential or incidental damages. "Typical" parameters which may be provided in Silicon Microstructure's data sheets and/or specifications can and do vary in different applications and actual performance may vary over time. All operating parameters, including "Typicals", must be validated for each customer application by customer's technical experts. Silicon Microstructures, Inc. does not convey any license under its patent rights nor the rights of others. Silicon Microstructures, Inc. makes no representation that the circuits are free of patent infringement. Silicon Microstructures, Inc. products are not designed, intended, or authorized for use as components in systems intended for surgical implant into the body, or other applications intended to support or sustain life, or for any other application in which the failure of the Silicon Microstructures, Inc. product could create a situation where personal injury or death may occur. Should Buyer purchase or use Silicon Microstructures, Inc. products for any such unintended or unauthorized application, Buyer shall indemnify and hold Silicon Microstructures, Inc. and its officers, employees, subsidiaries, affiliates, and distributors harmless against all claims, costs, damages, and expenses, and reasonable attorney fees arising out of, directly or indirectly, any claim of personal injury or death associated with such unintended or unauthorized use, even if such claim alleges that Silicon Microstructures, Inc. was negligent regarding the design or manufacture of the part.

Silicon Microstructures, Inc. warrants goods of its manufacture as being free of defective materials and faulty workmanship. Silicon Microstructures, Inc. standard product warranty applies unless agreed to otherwise by Silicon Microstructures, Inc. in writing; please refer to your order acknowledgement or contact Silicon Microstructures, Inc. directly for specific warranty details. If warranted goods are returned to Silicon Microstructures, Inc. during the period of coverage, Silicon Microstructures, Inc. will repair or replace, at its option, without charge those items it finds defective. The foregoing is buyer's sole remedy and is in lieu of all warranties, expressed or implied, including those of merchantability and fitness for a particular purpose. In no event shall Silicon Microstructures, Inc. be liable for consequential, special, or indirect damages.

While Silicon Microstructures, Inc. provides application assistance personally, through its literature and the Silicon Microstructures, Inc. website, it is up to the customer to determine the suitability of the product for its specific application. The information supplied by Silicon Microstructures, Inc. is believed to be accurate and reliable as of this printing. However, Silicon Microstructures, Inc. assumes no responsibility for its use. Silicon Microstructures, Inc. assumes no responsibility for any inaccuracies and/or errors in this publication and reserves the right to make changes without further notice to any products or specifications herein

Silicon Microstructures, Inc.<sup>TM</sup> and the Silicon Microstructures, Inc. logo are trademarks of Silicon Microstructures, Inc. All other service or product names are the property of their respective owners.

© Silicon Microstructures, Inc. 2001-2015. All rights reserved.

Компания «Life Electronics» занимается поставками электронных компонентов импортного и отечественного производства от производителей и со складов крупных дистрибьюторов Европы, Америки и Азии.

С конца 2013 года компания активно расширяет линейку поставок компонентов по направлению коаксиальный кабель, кварцевые генераторы и конденсаторы (керамические, пленочные, электролитические), за счёт заключения дистрибьюторских договоров

Мы предлагаем:

- Конкурентоспособные цены и скидки постоянным клиентам.
- Специальные условия для постоянных клиентов.
- Подбор аналогов.
- Поставку компонентов в любых объемах, удовлетворяющих вашим потребностям.
- Приемлемые сроки поставки, возможна ускоренная поставка.
- Доставку товара в любую точку России и стран СНГ.
- Комплексную поставку.
- Работу по проектам и поставку образцов.
- Формирование склада под заказчика.
- Сертификаты соответствия на поставляемую продукцию (по желанию клиента).
- Тестирование поставляемой продукции.
- Поставку компонентов, требующих военную и космическую приемку.
- Входной контроль качества.
- Наличие сертификата ISO.

В составе нашей компании организован Конструкторский отдел, призванный помогать разработчикам, и инженерам.

Конструкторский отдел помогает осуществить:

- Регистрацию проекта у производителя компонентов.
- Техническую поддержку проекта.
- Защиту от снятия компонента с производства.
- Оценку стоимости проекта по компонентам.
- Изготовление тестовой платы монтаж и пусконаладочные работы.



Тел: +7 (812) 336 43 04 (многоканальный)  
Email: org@lifeelectronics.ru