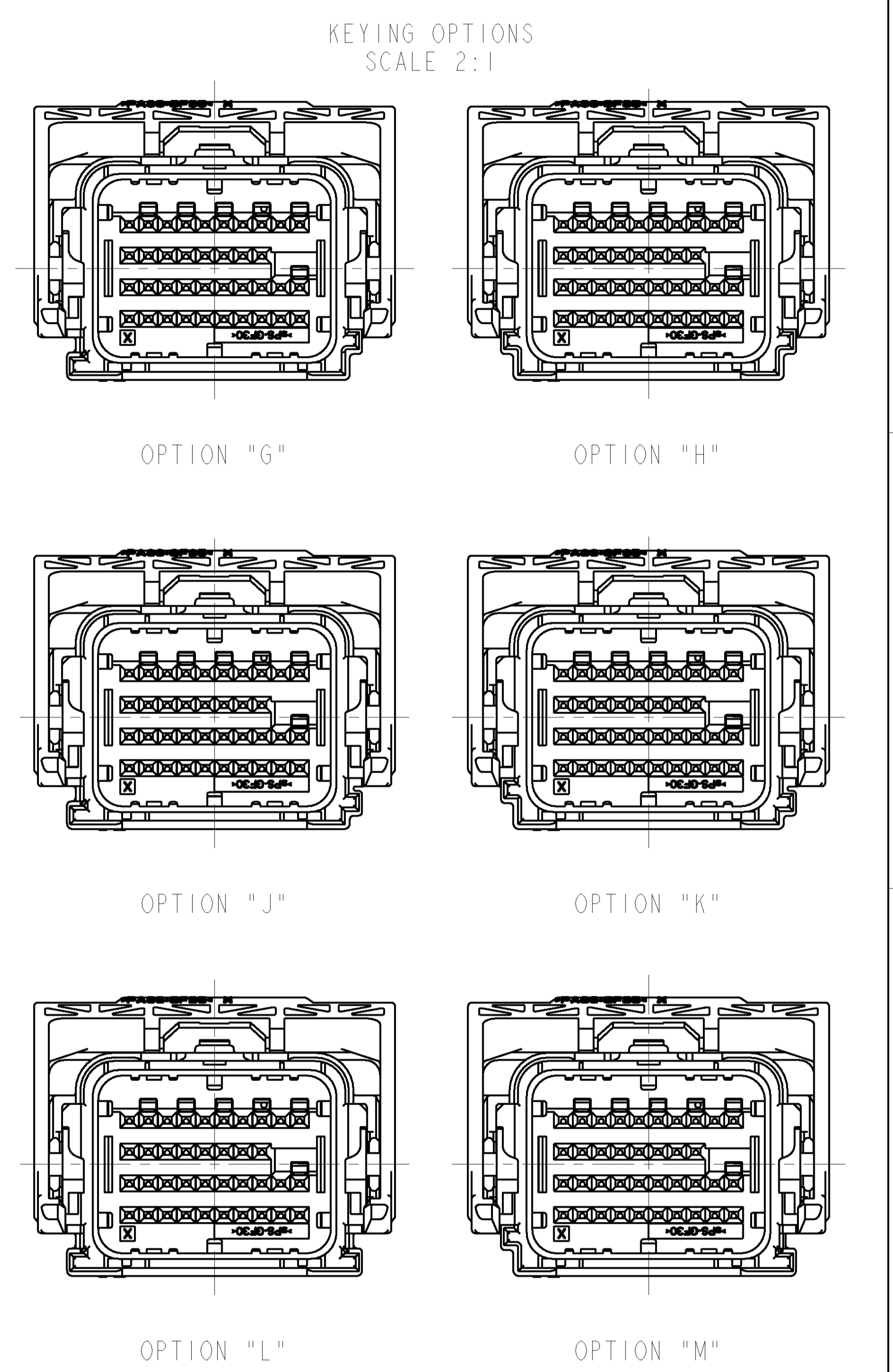
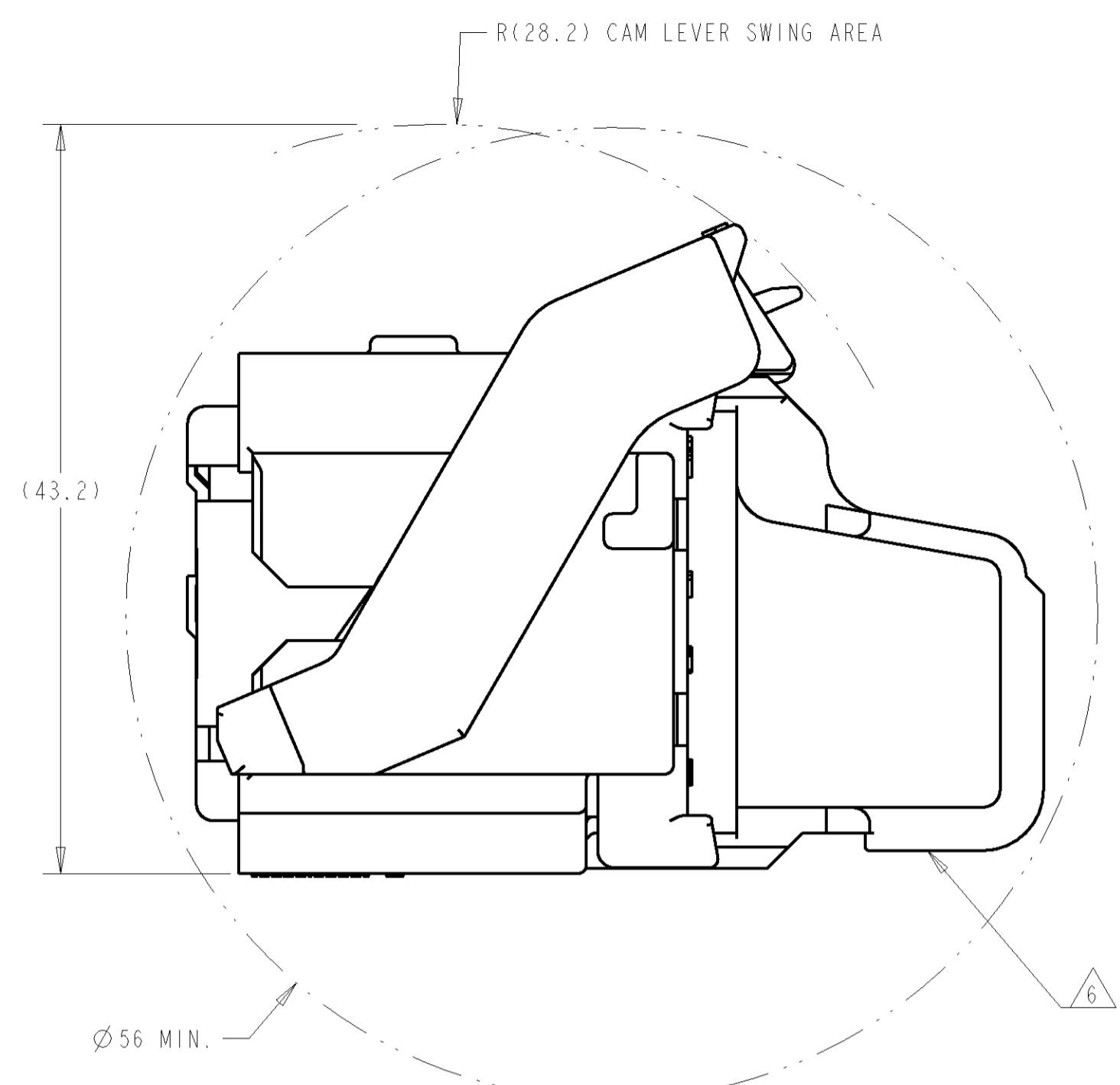
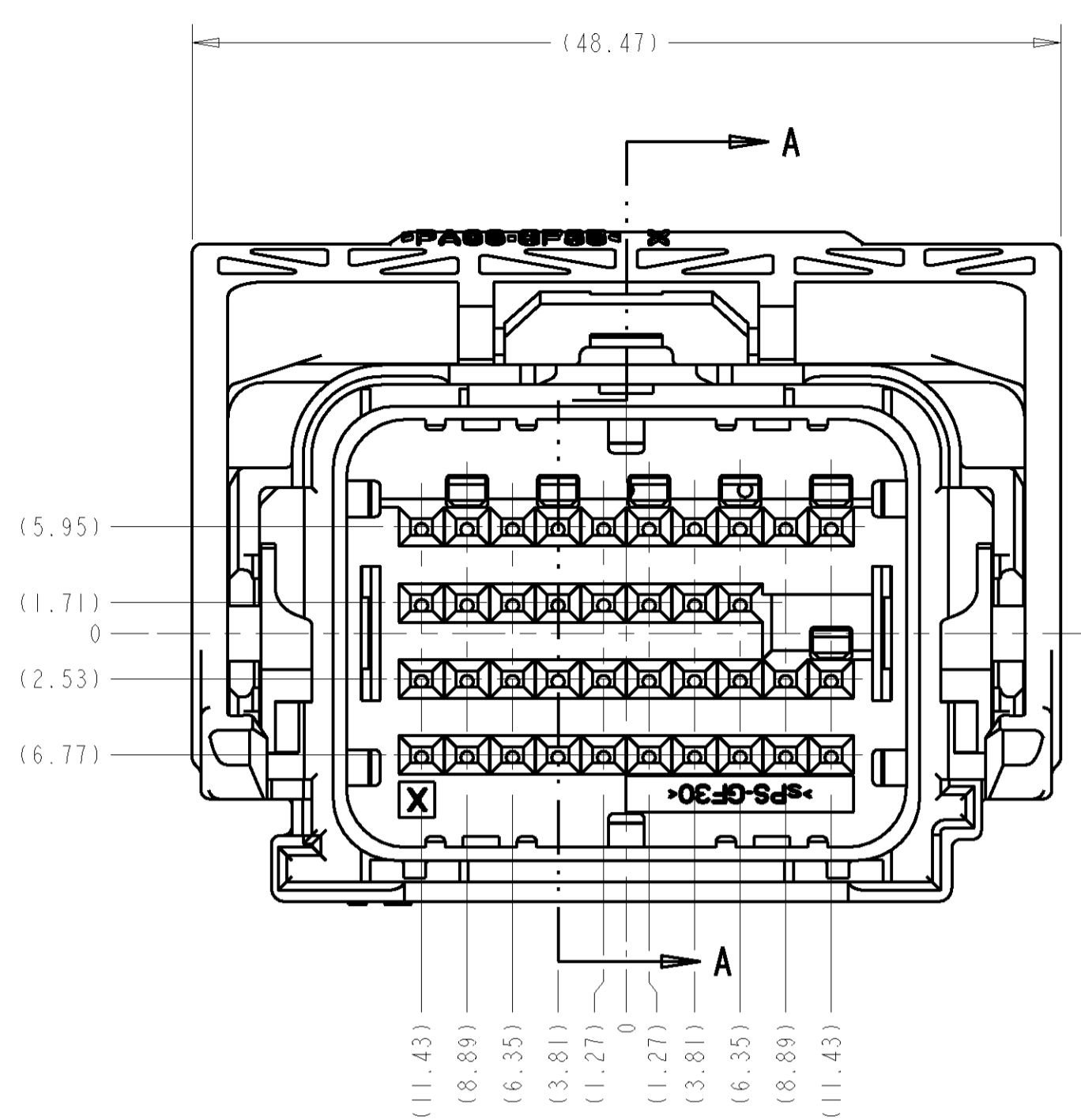
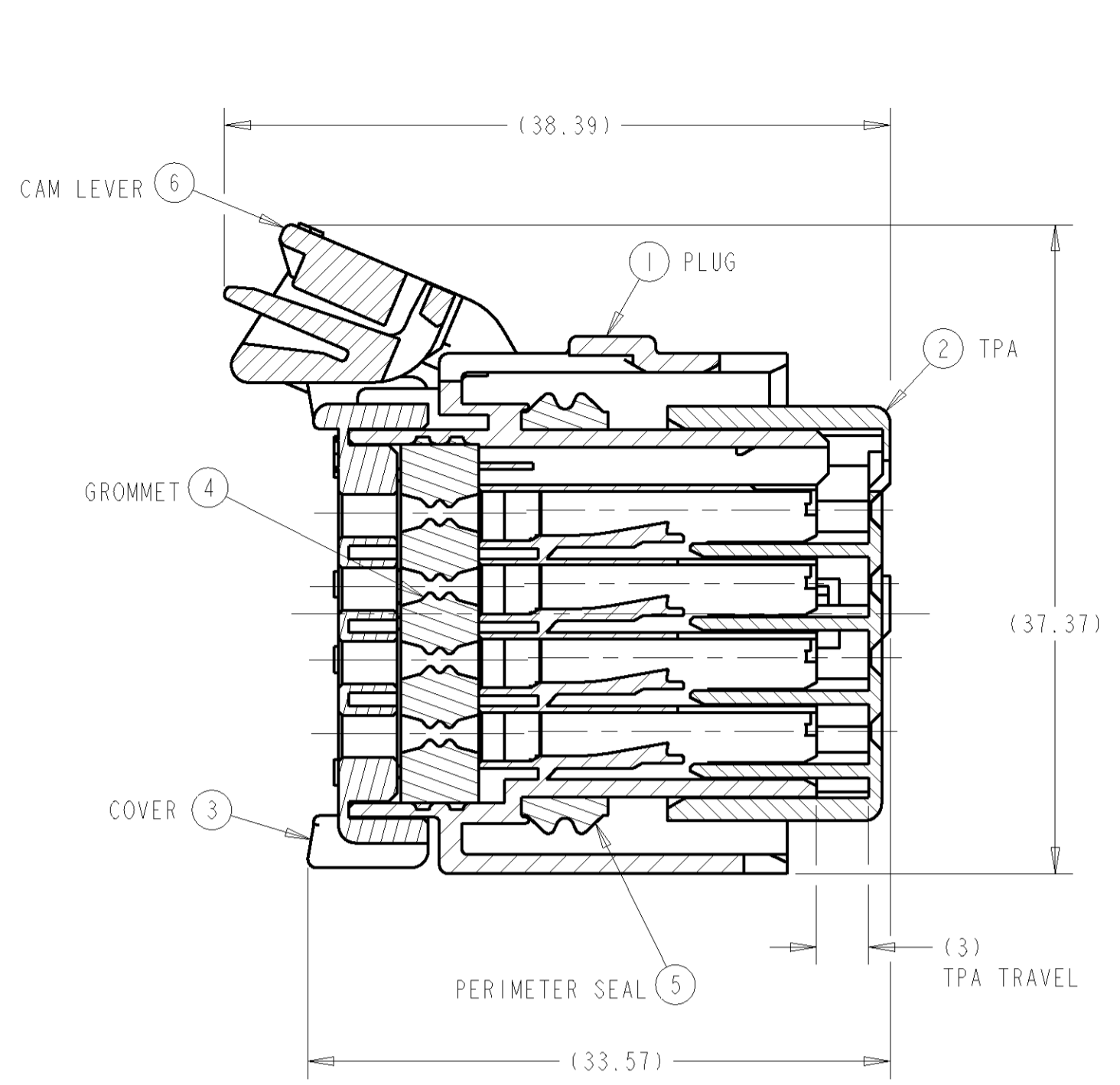
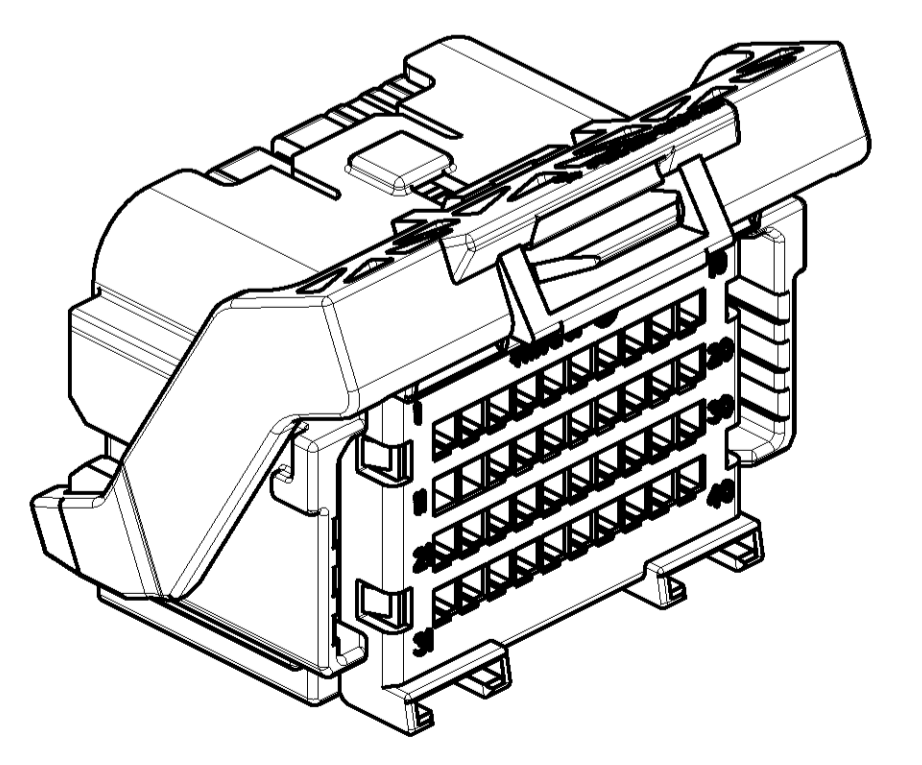
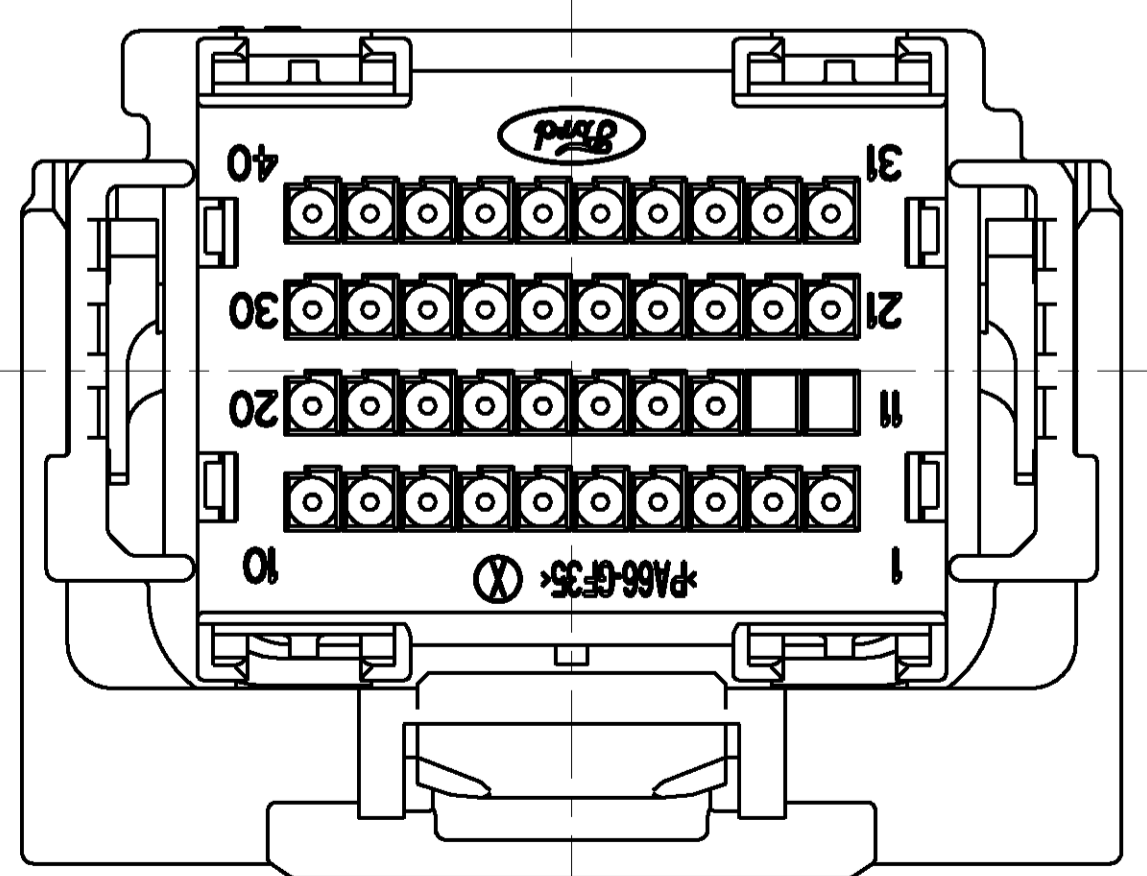
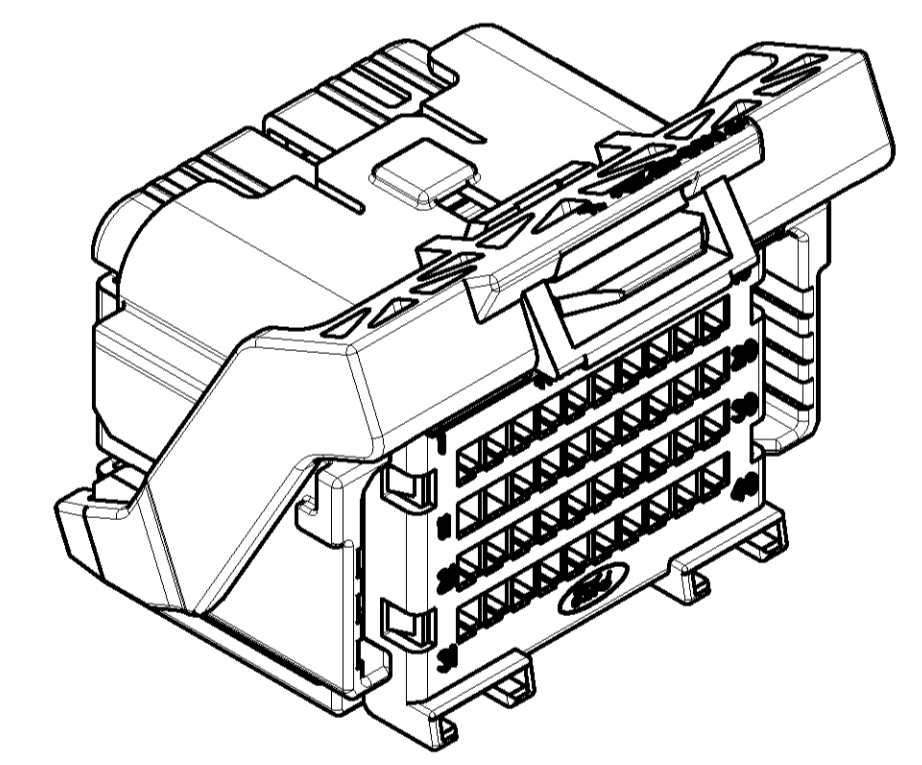
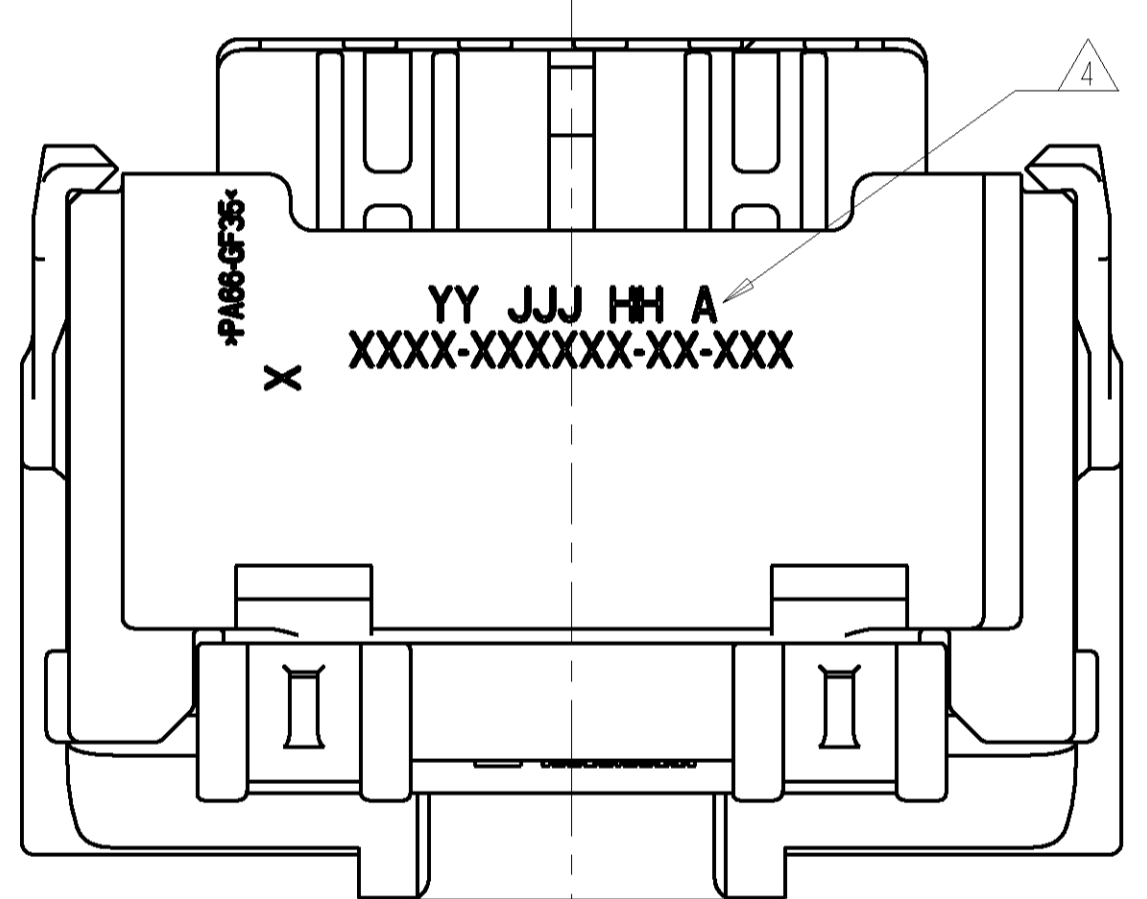
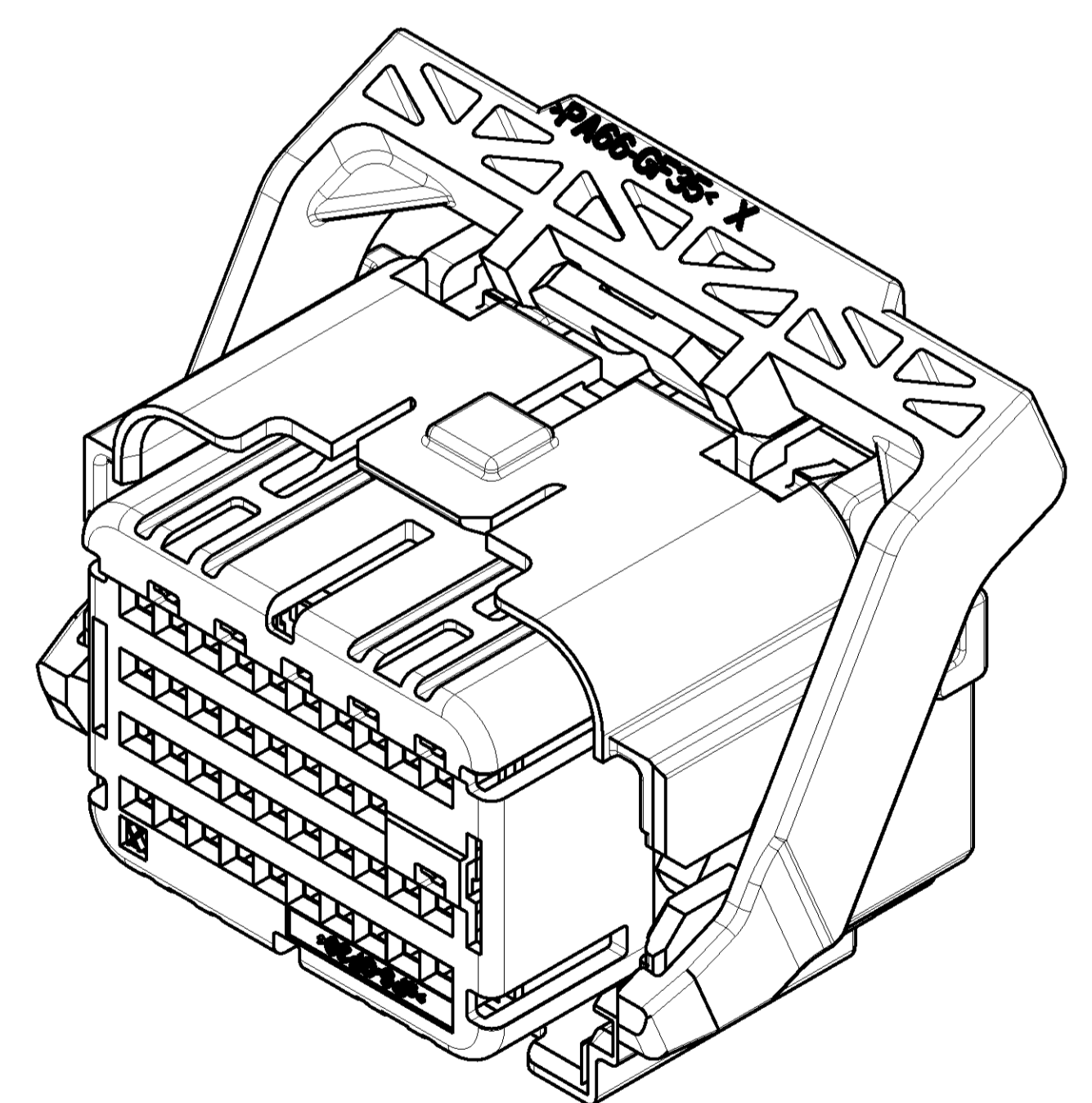


REVISONS		DATE	OWN	APVD
D	REVISED PER ECR 07-029132	07JAN2008	DLD	WTW
E	REVISED PER ECR 07-030366	08JAN2008	DLD	WTW
F	REVISED PER ECO 08-006962	19MAR2008	DLD	WTW



SECTION A-A
 SHOWN WITH CAM LEVER
 AND TPA IN THEIR
 PRE-LOADED POSITIONS
 (DELIVERY CONDITION)

MINIMUM FEED THROUGH CONDITION
 WITH 1mm CLEARANCE ALL AROUND
 SHOWN WITH OPTION WIRESHIELD
 TPA IS IN IT'S LOADED POSITION
 CAM LEVER IS IN IT'S PRE-LOADED POSITION



- NOTE(S):
- APPLICABLE TERMINAL PART NUMBERS (SOLD SEPARATELY):
 FOR TIN APPLICATIONS: 1393367 AND 1393366.
 FOR GOLD APPLICATIONS: 1393365 AND 1393364.
 FOR TERMINATION AND REELING OPTIONS
 SEE DRAWINGS 1393367, 1393366, 1393365, AND 1393364.
 - COMPATIBLE WIRE SIZES FOR MAT SEAL DESIGN 1.19 TO 2.06 O.D.
 (22-18 AWG, 0.35-0.75 mm²)
 - TPA AND CAM LEVER ARE SHIPPED IN THEIR PRE-LOADED POSITION.
 ALL ASSEMBLIES ARE TO BE TRAY PACKAGED.
 - CUSTOMER PART NUMBER AND TRACEABILITY CODE (YY = TWO DIGIT YEAR,
 JJJ = JULIAN DAY, HH = TWO DIGIT MILITARY HOUR, A=ASSEMBLY PROCESS
 USED) ARE PRINTED IN THIS LOCATION.
 - PART ASSEMBLY WEIGHT WITHOUT TERMINALS AND WITH STANDARD PIN-OUT
 CONFIGURATION IS 26.09 GRAMS.
 - OPTIONAL WIRESHIELD P/N 8-1419157-8 (SOLD SEPARATELY). PLEASE CONTACT
 YOUR TYCO ELECTRONICS SALES REPRESENTATIVE FOR AVAILABILITY AND PRICING.

DIMENSIONS:		TOLERANCES UNLESS OTHERWISE SPECIFIED:		DRAWN: A. HOLT 14NOV2006		Tyco Electronics Harrisburg, PA 17105-3608	
mm	0 PLC ±0.3	1 PLC ±0.10	2-4 PLC ±0.15	ANGLES ±0.5	CHK: W. WELLSKY 14NOV2006	NAME: 40 WAY SHORTING BAR ARM PLUG ASSEMBLY WITHOUT SHORTING BARS LOADED	
MATERIAL: SEE CHART ON SHEET 2	FINISH: -	WEIGHT: SEE NOTE 5	CUSTOMER DRAWING	SIZE: A	CASE CODE: 00779	DRAWING NO: 1924170	RESTRICTED TO: -
				SCALE: 3:1	SHEET: 1	OF: 5	REV: F

LOC	DIST	REVISIONS			
		REV	DATE	BY	APPV
FX	00	-	SEE SHEET 1	-	-

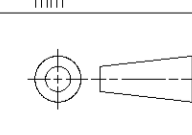
ITEM	DESCRIPTION	MATERIAL	FINISH/COLOR
6	CAM LEVER	PA66 35% GF	GRAY
6	CAM LEVER WITH MODIFIED TAB	PA66 35% GF	GRAY
5	PERIMETER SEAL	SILICONE	GREEN
4	GROMMET	SILICONE	BROWN
3	COVER	PA66 35% GF	BLACK
2	TPA FOR SHORTING BAR APPLICATIONS	sPS 30% GF	NATURAL
1	PLUG WITH KEYING OPTION "H" AND 6 SHORTING BAR POSITIONS CONFIGURATION	PA66 35% GF	BLACK
1	PLUG WITH KEYING OPTION "G" AND 6 SHORTING BAR POSITIONS CONFIGURATION	PA66 35% GF	BLACK

ITEM	DESCRIPTION	MATERIAL	FINISH/COLOR
6	CAM LEVER	PA66 35% GF	GRAY
6	CAM LEVER WITH MODIFIED TAB	PA66 35% GF	GRAY
5	PERIMETER SEAL	SILICONE	GREEN
4	GROMMET	SILICONE	BROWN
3	COVER	PA66 35% GF	BLACK
2	TPA FOR SHORTING BAR APPLICATIONS	sPS 30% GF	NATURAL
1	PLUG WITH KEYING OPTION "H" AND 6 SHORTING BAR POSITIONS CONFIGURATION	PA66 35% GF	BLACK
1	PLUG WITH KEYING OPTION "G" AND 6 SHORTING BAR POSITIONS CONFIGURATION	PA66 35% GF	BLACK

ITEM	DESCRIPTION	MATERIAL	FINISH/COLOR
6	CAM LEVER	PA66 35% GF	GRAY
6	CAM LEVER WITH MODIFIED TAB	PA66 35% GF	GRAY
5	PERIMETER SEAL	SILICONE	GREEN
4	GROMMET	SILICONE	BROWN
3	COVER	PA66 35% GF	BLACK
2	TPA FOR SHORTING BAR APPLICATIONS	sPS 30% GF	NATURAL
1	PLUG WITH KEYING OPTION "H" AND 6 SHORTING BAR POSITIONS CONFIGURATION	PA66 35% GF	BLACK
1	PLUG WITH KEYING OPTION "G" AND 6 SHORTING BAR POSITIONS CONFIGURATION	PA66 35% GF	BLACK

ITEM	DESCRIPTION	MATERIAL	FINISH/COLOR
6	CAM LEVER	PA66 35% GF	GRAY
6	CAM LEVER WITH MODIFIED TAB	PA66 35% GF	GRAY
5	PERIMETER SEAL	SILICONE	GREEN
4	GROMMET	SILICONE	BROWN
3	COVER	PA66 35% GF	BLACK
2	TPA FOR SHORTING BAR APPLICATIONS	sPS 30% GF	NATURAL
1	PLUG WITH KEYING OPTION "H" AND 6 SHORTING BAR POSITIONS CONFIGURATION	PA66 35% GF	BLACK
1	PLUG WITH KEYING OPTION "G" AND 6 SHORTING BAR POSITIONS CONFIGURATION	PA66 35% GF	BLACK

ITEM	DESCRIPTION	MATERIAL	FINISH/COLOR
6	CAM LEVER	PA66 35% GF	GRAY
6	CAM LEVER WITH MODIFIED TAB	PA66 35% GF	GRAY
5	PERIMETER SEAL	SILICONE	GREEN
4	GROMMET	SILICONE	BROWN
3	COVER	PA66 35% GF	BLACK
2	TPA FOR SHORTING BAR APPLICATIONS	sPS 30% GF	NATURAL
1	PLUG WITH KEYING OPTION "H" AND 6 SHORTING BAR POSITIONS CONFIGURATION	PA66 35% GF	BLACK
1	PLUG WITH KEYING OPTION "G" AND 6 SHORTING BAR POSITIONS CONFIGURATION	PA66 35% GF	BLACK

DIMENSIONS: mm 		TOLERANCES UNLESS OTHERWISE SPECIFIED: 0 PLC #+ 1 PLC #+0.3 2 PLC #+0.10 3 PLC #+ 4 PLC #+ ANGLES #+		DWN A. HOLT 14NOV2006 CHK W. WELLINSKY 14NOV2006 APVD W. WELLINSKY 14NOV2006 NAME: 40 WAY SHORTING BAR ARM PLUG ASSEMBLY WITHOUT SHORTING BARS LOADED SIZE: A1 WEIGHT: - CUSTOMER DRAWING: -		Tyco Electronics Harrisburg, PA 17105-3608 SCALE: 3:1 SHEET: 2 OF 5 REV: F	
--	--	--	--	--	--	--	--

LOC	DIST	REVISIONS			
		REV	DATE	BY	APPV
FX	00	1	SEE SHEET 1		

PIN OUT CHART

BLANK CAVITIES INDICATE OPEN TERMINAL HOLE POSITIONS

CAVITIES WITH A NUMERIC SYMBOL INDICATE CLOSED TERMINAL HOLE POSITIONS

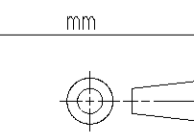
TERMINAL HOLE POSITION

1	2	3	4	5	6	7	8	9	10	11	12	13	14	15	16	17	18	19	20	21	22	23	24	25	26	27	28	29	30	31	32	33	34	35	36	37	38	39	40	ASSEMBLY PART NUMBER	KEYING OPTION										
											11	12																													0-1924170-1	G									
1	2	3	4	5	6	7	8	9	10	11	12	13	14	15	16	17	18			21	22																				0-1924170-2	G									
		3	4	5	6	7	8	9	10	11	12	13	14	15	16																											0-1924170-3	G								
						7	8	9	10	11	12	13	14	15	16																												0-1924170-4	G							
1	2	3	4	5	6	7	8	9	10	11	12	13	14	15	16					21	22																						0-1924170-5	G							
1	2	3	4	5	6	7	8	9	10	11	12	13	14												24																		0-1924170-6	G							
1	2	3	4	5	6	7	8	9	10	11	12	13	14	15	16																												0-1924170-7	G							
						7	8	9	10	11	12																																	0-1924170-8	G						
		3	4	5	6	7	8	9	10	11	12																																	0-1924170-9	G						
1	2	3	4	5	6	7	8	9	10	11	12	13	14	15	16																													1-1924170-0	G						
						7	8	9	10	11	12							18																											1-1924170-1	G					
1	2	3	4			7	8	9	10	11	12	13	14	15	16					21	22																								1-1924170-2	G					
1	2					7	8	9	10	11	12									21	22																									1-1924170-3	G				
		3	4	5	6	7	8	9	10	11	12	13	14	15	16	17	18																													1-1924170-4	G				
1	2	3	4			7	8	9	10	11	12	13	14	15	16	17	18			21	22																									1-1924170-5	G				
1	2					7	8	9	10	11	12									21	22																										1-1924170-6	G			
1	2	3	4	5	6	7	8	9	10	11	12	13	14	15	16	17	18			21	22	23	24	25	26	27	28	29	30	31	32	33	34	35	36	37	38	39	40					1-1924170-7	G						
		3	4	5	6	7	8	9	10	11	12	13	14	15	16	17	18																															1-1924170-8	G		
						7	8	9	10	11	12																																					1-1924170-9	G		
1	2	3	4	5	6	7	8	9	10	11	12	13	14	15	16	17	18			21	22	23	24	25	26	27	28	29	30																2-1924170-0	G					
1	2	3	4	5	6	7	8	9	10	11	12	13	14	15	16					21	22																										2-1924170-1	G			
						7	8	9	10	11	12	13	14	15	16																																	2-1924170-2	G		
		3	4	5	6	7	8	9	10	11	12	13	14	15	16																																	2-1924170-3	G		
1	2					7	8	9	10	11	12									21	22	23	24	25	26																						2-1924170-4	G			
1	2					7	8	9	10	11	12									21	22	23	24																									2-1924170-5	G		
						7	8	9	10	11	12	13	14	15	16	17	18																																2-1924170-6	G	
						7	8	9	10	11	12	13	14	15	16	17	18																																2-1924170-7	G	
						7	8	9	10	11	12	13	14	15	16	17	18																																2-1924170-8	G	
		3	4			7	8	9	10	11	12	13	14	15	16																																		2-1924170-9	G	
						7	8	9	10	11	12																																							3-1924170-0	G
1	2					7	8	9	10	11	12	13	14	15	16	17	18			21	22																												3-1924170-1	G	
1	2					7	8	9	10	11	12	13	14	15	16					21	22																												3-1924170-2	G	
1	2					7	8	9	10	11	12	13	14	15	16	17	18			21	22																												3-1924170-3	G	
1	2					7	8	9	10	11	12									21	22																												3-1924170-4	G	
1	2					7	8	9	10	11	12	13	14	15	16					21	22																												3-1924170-5	G	
1	2			5	6	7	8	9	10	11	12	13	14	15	16	17	18			21	22																												3-1924170-6	G	
1	2			5	6	7	8	9	10	11	12	13	14	15	16					21	22																												3-1924170-7	G	
1	2					7	8	9	10	11	12									21	22																												3-1924170-8	G	
1	2	3	4	5	6	7	8	9	10	11	12	13	14	15	16	17	18			21	22	23	24																									3-1924170-9	G		
						7	8	9	10	11	12																																							4-1924170-0	G
				5	6	7	8	9	10	11	12	13	14	15	16					19	20																												4-1924170-1	G	
1	2			5	6	7	8	9	10	11	12	13	14	15	16					21	22																												4-1924170-2	G	
1	2	3	4	5	6	7	8				11	12	13	14	15	16				19	20	21	22	23	24																								4-1924170-3	G	
1	2	3	4	5	6						11	12	13	14	15	16				21	22	23	24																											4-1924170-4	G
1	2	3	4	5	6	7	8	9	10	11	12	13	14	15	16	17	18			21	22																												4-1924170-5	G	
1	2	3	4	5	6	7	8	9	10	11	12	13	14	15	16					21	22	23	24	25	26	27	28	29	30	31	32	33	34															4-1924170-6	G		
1	2		4		6	7	8	9	10	11	12	13	14	15	16	17	18																																		

LOC	QTY	REV	DATE	BY	APPV
FX	00				

REVISIONS			
NO.	DATE	DESCRIPTION	BY
-	-	SEE SHEET 1	-

PIN OUT CHART																																								ASSEMBLY PART NUMBER	KEYING OPTION				
BLANK CAVITIES INDICATE OPEN TERMINAL HOLE POSITIONS																																													
CAVITIES WITH A NUMERIC SYMBOL INDICATE CLOSED TERMINAL HOLE POSITIONS																																													
TERMINAL HOLE POSITION																																								ASSEMBLY PART NUMBER	KEYING OPTION				
1	2	3	4	5	6	7	8	9	10	11	12	13	14	15	16	17	18	19	20	21	22	23	24	25	26	27	28	29	30	31	32	33	34	35	36	37	38	39	40						
				5	6	7	8	9	10	11	12	13	14	15	16								24			27	28	29	30								37	37	39	40	6-1924170-6	G			
			3	4	5	6	7	8	9	10	11	12	13	14	15	16	17	18					23	24		26										35	36	37	37	39	40	6-1924170-7	G		
			3	4	5	6	7	8	9	10	11	12	13	14	15	16							24			27	28	29	30							35	36	37	37	39	40	6-1924170-8	G		
			3	4	5	6	7	8	9	10	11	12	13	14	15	16							24			27	28	29	30							35	36	37	37	39	40	6-1924170-9	G		
1	2			5	6	7	8	9	10	11	12	13	14	15	16						21	22		24			27	28	29	30								37	38	39	40	7-1924170-0	G		
				5	6	7	8	9	10	11	12	13	14	15	16								24			27	28	29	30								35	36	37	38	39	40	7-1924170-1	G	
1	2					7	8	9	10	11	12	13	14	15	16						21	22		24			27	28	29	30							35	36	37	38	39	40	7-1924170-2	G	
1	2					7	8	9	10	11	12	13	14	15	16						21	22		24			27	28	29	30							35	36	37	38	39	40	7-1924170-3	G	
										11	12																																	7-1924170-4	G
1	2										11	12	13	14	15	16																												7-1924170-5	G
												11	12																															7-1924170-6	G
												11	12																															7-1924170-7	G
												11	12																															7-1924170-8	G
												11	12																															7-1924170-9	G
													11	12																														8-1924170-0	G
													11	12																														8-1924170-1	G
														11	12																													8-1924170-2	G
															17	18	19	20	21	22				24		26																		8-1924170-3	G
																																												8-1924170-4	G
																																												8-1924170-5	G
																																												8-1924170-6	G
																																												8-1924170-7	G
																																												8-1924170-8	G
																																												8-1924170-9	G
																																												9-1924170-0	G
																																												9-1924170-1	G
																																												9-1924170-2	G
																																												9-1924170-3	G
																																												9-1924170-4	G
																																												9-1924170-5	G
																																												9-1924170-6	G
																																												9-1924170-7	G
																																												9-1924170-8	G
																																												9-1924170-9	G
																																												0-1924171-1	G
																																												0-1924171-2	G
																																												0-1924171-3	G
																																												0-1924171-4	G
																																												0-1924171-5	G
																																												0-1924171-6	G
																																												0-1924171-7	G
																																												0-1924171-8	G
																																												0-1924171-9	G
																																												1-1924171-0	G

DIMENSIONS: mm 		TOLERANCES UNLESS OTHERWISE SPECIFIED: 0 PLC ±0.3 1 PLC ±0.10 2 PLC ±0.10 3 PLC ±0.10 4 PLC ±0.10 ANGLES ±0.5° FINISH -		DWN A. HOLT 14NOV2006 CHK W. WELLINSKY 14NOV2006 APVD W. WELLINSKY 14NOV2006		Tyco Electronics Harrisburg, PA 17105-3608	
MATERIAL SEE CHART ON SHEET 2		WEIGHT -		SIZE CASE CODE DRAWING NO A 00779 C=1924170		RESTRICTED TO CUSTOMER DRAWING	
SCALE 3:1		SHEET 4 OF 5		REV F		NAME 40 WAY SHORTING BAR ARM PLUG ASSEMBLY WITHOUT SHORTING BARS LOADED	

LOC	QTY	REV	DATE	BY	APPV
FX	00				

REVISIONS					
REV	DATE	DESCRIPTION	BY	APPV	DATE
-	-	SEE SHEET 1	-	-	-

PIN OUT CHART																																									ASSEMBLY PART NUMBER	KEYING OPTION		
BLANK CAVITIES INDICATE OPEN TERMINAL HOLE POSITIONS CAVITIES WITH A NUMERIC SYMBOL INDICATE CLOSED TERMINAL HOLE POSITIONS																																												
TERMINAL HOLE POSITION																																												
1	2	3	4	5	6	7	8	9	10	11	12	13	14	15	16	17	18	19	20	21	22	23	24	25	26	27	28	29	30	31	32	33	34	35	36	37	38	39	40					
											11	12																														0-1924172-1	G	
1	2	3	4	5	6	7	8	9	10	11	12	13	14	15	16	17	18			21	22																					0-1924172-2	G	
			3	4	5	6	7	8	9	10	11	12	13	14	15	16																											0-1924172-3	G
							7	8	9	10	11	12	13	14	15	16																											0-1924172-4	G
							7	8	9	10	11	12																															0-1924172-5	G
1	2	3	4	5	6	7	8	9	10	11	12	13	14	15	16					21	22																					0-1924172-6	G	
							7	8	9	10	11	12					17	18																									0-1924172-7	G
							7	8	9	10	11	12	13	14	15	16	17	18																								0-1924172-8	G	
1	2	3	4	5	6	7	8	9	10	11	12	13	14	15	16					21	22																				0-1924172-9	G		
							7	8	9	10	11	12																														1-1924172-0	G	
							7	8	9	10	11	12	13	14	15	16																									1-1924172-1	G		
1	2	3	4	5	6	7	8	9	10	11	12	13	14	15	16					19	20	21	22	23	24															1-1924172-2	G			
1	2					7	8	9	10	11	12										21	22																			1-1924172-3	G		
			3	4	5	6					11	12																													1-1924172-4	G		
			3	4	5	6																																			1-1924172-5	G		
			3	4	5	6					11	12																													1-1924172-6	G		

PIN OUT CHART																																									ASSEMBLY PART NUMBER	KEYING OPTION			
BLANK CAVITIES INDICATE OPEN TERMINAL HOLE POSITIONS CAVITIES WITH A NUMERIC SYMBOL INDICATE CLOSED TERMINAL HOLE POSITIONS																																													
TERMINAL HOLE POSITION																																													
1	2	3	4	5	6	7	8	9	10	11	12	13	14	15	16	17	18	19	20	21	22	23	24	25	26	27	28	29	30	31	32	33	34	35	36	37	38	39	40						
							7	8	9	10	11	12							19	20																								0-1924173-1	H
				5	6	7	8	9	10	11	12	13	14	15	16					19	20																						0-1924173-2	H	
																																											0-1924173-3	H	
1	2	3	4							9	10	11	12	13	14	15	16				21	22																				0-1924173-4	H		
1	2	3	4	5	6	7	8	9	10	11	12	13	14	15	16					21	22	23	24	25	26	27	28	29	30	31	32	33	34								0-1924173-5	H			
										9	10	11	12																														0-1924173-6	H	
							7	8	9	10	11	12																															0-1924173-7	H	
							7	8	9	10	11	12																															0-1924173-8	H	
1	2	3	4	5	6	7	8	9	10	11	12	13	14	15	16				20	21	22																					0-1924173-9	H		
1	2	3	4	5	6	7	8	9	10	11	12	13	14	15	16					21	22																					1-1924173-0	H		
1	2	3	4	5	6	7	8	9	10	11	12	13	14	15	16					21	22																					1-1924173-1	H		
1	2	3	4	5	6	7	8	9	10	11	12	13	14	15	16					21	22																					1-1924173-2	H		
										9	10	11	12																														1-1924173-3	H	
1	2					7	8	9	10	11	12	13	14	15	16					21	22																					1-1924173-4	H		
1	2	3	4	5	6	7	8	9	10	11	12	13	14	15	16					21	22																					1-1924173-5	H		
1	2	3	4	5	6	7	8	9	10	11	12	13	14	15	16					21	22																					1-1924173-6	H		
1	2					7	8	9	10	11	12	13	14	15	16					21	22																					1-1924173-7	H		
1	2	3	4	5	6	7	8	9	10	11	12	13	14	15	16					21		23																			1-1924173-8	H			
			3	4	5	6					11	12																														1-1924173-9	H		
			3	4	5	6					11	12																														2-1924173-0	H		
			3	4	5	6					11	12																														2-1924173-1	H		

DIMENSIONS: mm 		TOLERANCES UNLESS OTHERWISE SPECIFIED: 0 PLC ±0.3 1 PLC ±0.10 2 PLC ±0.10 3 PLC ±0.10 4 PLC ±0.10 ANGLES ±0.5° FINISH -		DWN: A. HOLT 14NOV2006 CHK: W. WELLINSKY 14NOV2006 APVD: W. WELLINSKY 14NOV2006	Tyco Electronics Harrisburg, PA 17105-3608
MATERIAL SEE CHART ON SHEET 2		WEIGHT -		NAME: 40 WAY SHORTING BAR ARM PLUG ASSEMBLY WITHOUT SHORTING BARS LOADED	
CUSTOMER DRAWING		SCALE: 3:1		SHEET 5 OF 5 REV F	

Компания «Life Electronics» занимается поставками электронных компонентов импортного и отечественного производства от производителей и со складов крупных дистрибьюторов Европы, Америки и Азии.

С конца 2013 года компания активно расширяет линейку поставок компонентов по направлению коаксиальный кабель, кварцевые генераторы и конденсаторы (керамические, пленочные, электролитические), за счёт заключения дистрибьюторских договоров

Мы предлагаем:

- Конкурентоспособные цены и скидки постоянным клиентам.
- Специальные условия для постоянных клиентов.
- Подбор аналогов.
- Поставку компонентов в любых объемах, удовлетворяющих вашим потребностям.
- Приемлемые сроки поставки, возможна ускоренная поставка.
- Доставку товара в любую точку России и стран СНГ.
- Комплексную поставку.
- Работу по проектам и поставку образцов.
- Формирование склада под заказчика.
- Сертификаты соответствия на поставляемую продукцию (по желанию клиента).
- Тестирование поставляемой продукции.
- Поставку компонентов, требующих военную и космическую приемку.
- Входной контроль качества.
- Наличие сертификата ISO.

В составе нашей компании организован Конструкторский отдел, призванный помогать разработчикам, и инженерам.

Конструкторский отдел помогает осуществить:

- Регистрацию проекта у производителя компонентов.
- Техническую поддержку проекта.
- Защиту от снятия компонента с производства.
- Оценку стоимости проекта по компонентам.
- Изготовление тестовой платы монтаж и пусконаладочные работы.



Тел: +7 (812) 336 43 04 (многоканальный)

Email: org@lifeelectronics.ru