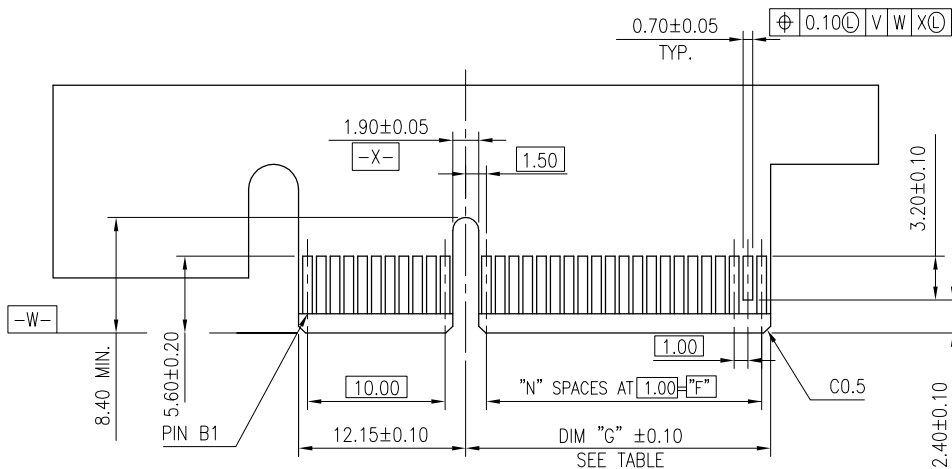


HOLD DOWN TYPE

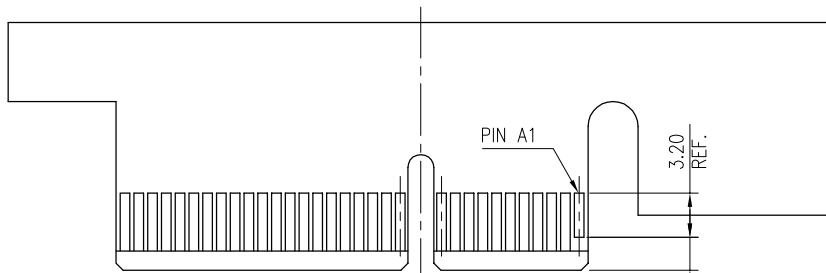
Amphenol
FCI

© 2016 AFCI

mat'l. code			surface 58/ISO 1302 ✓		tolerance ISO 406 ISO 101		projection		product family				
-							MM		PCI_EXPRESS				
ltr	ecn no	dr	date	tolerances unless otherwise specified					title				
J	ELX-DG-14311	WL	2013/03/21	angles linear	.X±.3		MM		PCI_EXPRESS_CARD_EDGE_GEN3 ASSEMBLY(SMT)				
K	ELX-DG-16269	ST	2013/11/13		.XX±.20								
L	ELX-DG-21161-1	ST	2015/05/27		XXX±.10								
M	ELX-DG-24164	ZH	2016/06/01	dr	STONE_LI	2015/05/27	Amphenol FCI		dwg no		sheet 1 of 6	size	
N	ELX-DG-25671-1	ZH	2016/12/19	engr	STONE_LI	2015/05/27			10061913		A4		
P	ELX-DG-27937	ZH	2017/09/12	chr	/	/			type		CUSTOMER Drawing		
				appd	PM_ZHENG	2015/05/27							
sheet index		revision sheet		P									



I/O PANEL DIRECTION
PRIMARY (COMPONENT) SIDE

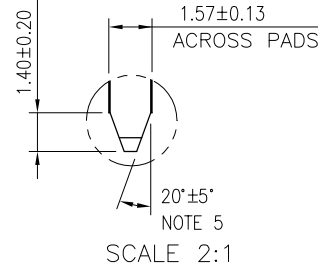


I/O PANEL DIRECTION
SECONDARY (SOLDER) SIDE

#	POS	REF.	N	DIM "G"	DIM "F"	"F"
36	6		6	8.15	6.00	B17
64	20		20	22.15	20.00	B31
98	37		37	39.15	37.00	B48
164	70		70	72.15	70.00	B81

PIN "F" SEE TABLE

NOTE 4

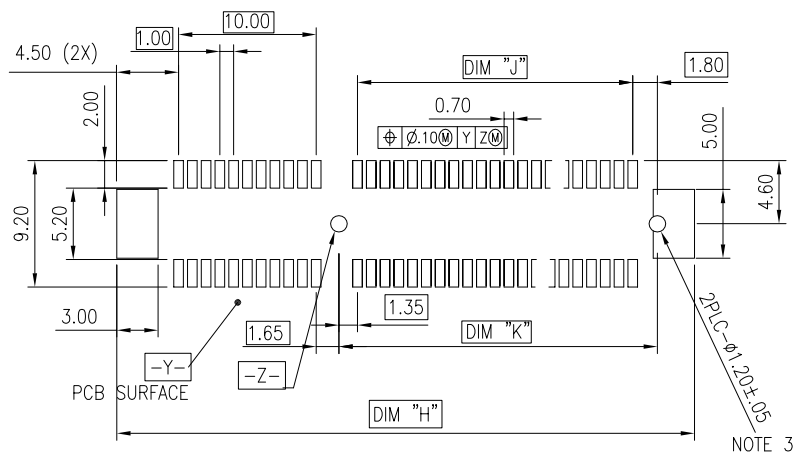


ADD-IN CARD EDGE-FINGER DIMENSIONS

mat'l. code -			surface 58 ISO 1302			tolerance ISO 406 ISO 101			projection MM			product family PCI_EXPRESS		
ltr			ecn no			dr			date			title PCI_EXPRESS_CARD_EDGE_GEN3 ASSEMBLY(SMT)		
tolerances unless otherwise specified			angles			linear			scale 2			dwg no		
.X ± .2			0° ± 2°			.XX ± .13			2			sheet 2 of 6		
XXX ± .05			dr			2015/05/27			Amphenol FCI			size		
A4			engr			2015/05/27			10061913			CUSTOMER Drawing		
/			chr			/			type			CUSTOMER Drawing		
appd			PM_ZHENG			2015/05/27			sheet			index		
revision P			sheet											

Amphenol
FCI

© 2016 AFCI



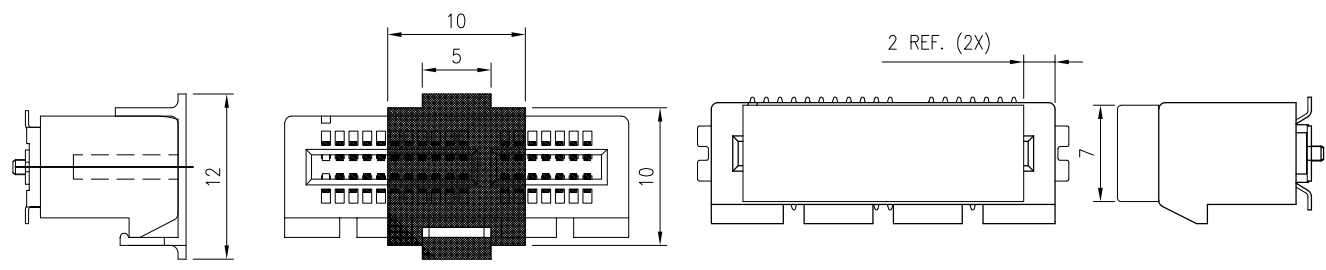
NOTE 3

RECOMMENDED PCB LAYOUT, PAD TYPE

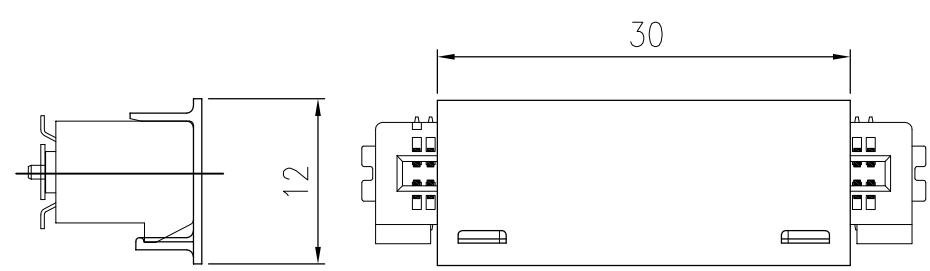
DIMENSIONS								
POSITION	A	B $\begin{smallmatrix} +0.15 \\ -0.05 \end{smallmatrix}$	C ± 0.20	D ± 0.23	E ± 0.20	H ± 0.10	J	K ± 0.10
36	6.00	7.65	9.15	25.00	27.00	28.00	6.00	9.15
64	20.00	21.65	23.15	39.00	41.00	42.00	20.00	23.15
98	37.00	38.65	40.15	56.00	58.00	59.00	37.00	40.15
164	70.00	71.65	73.15	89.00	91.00	92.00	70.00	73.15

POSTION OF CAP

POSTION OF DUMMY CARD



POSTION OF CUSTOMIZED CAP(30X12)



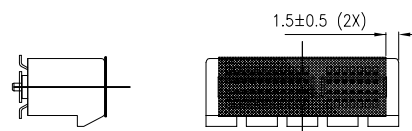
Amphenol FCI

© 2016 AFCI

mat'l. code				surface 58 / ISO 1302			tolerance ISO 406 ISO 101			product family PCI_EXPRESS													
ltr ecn no dr date				tolerances unless otherwise specified									title										
				angles linear			.X±.2			 scale 2				PCI_EXPRESS_CARD_EDGE_GEN3 ASSEMBLY(SMT)									
				0°±2°			.XX±.13																
				XXX±.05																			
				dr STONE_LI 2015/05/27							dwg no sheet 3 of 6 size												
				engr STONE_LI 2015/05/27							10061913 A4												
				chr / /																			
				appd PM_ZHENG 2015/05/27			type CUSTOMER Drawing																
sheet index		revision sheet		P																			

NOTES:

- 1.MATERIAL:
 - HOUSING: NYLON, GLASS FILLED UL94V-0 RATE, SUITABLE FOR I.R SOLDERING.
 - TERMINAL: COPPER ALLOY
 - PLATING: 50u" NICKEL UNDERPLATE ALL OVER
 - CONTACT AREA PLATING - SEE PRODUCT NUMBER CODE
 - SOLDER TAIL: TIN 100u" OVER 50u" NICKEL
 - METAL PADS: COPPER ALLOY
 - FINISH: 100u" TIN OVER 50u" NICKEL
- 2.PRODUCT SPECIFICATION: GS-12-390
- ③THE HORIZONTAL AXIS FOR THE PAD PATTERN IS ESTABLISHED BY
A LINE THROUGH THE CENTER OF THE TWO Ø1.0 HOLES.
THE VERTICAL AXIS IS 90° TO THE HORIZONTAL AXIS, THROUGH THE CENTER OF DATUM $\square-Z$
- ④NO TIE BAR PERMITTED FROM CARD EDGE TO LEADING EDGE OF PAD FOR PINS A1.
- ⑤CHAMFER EDGES MUST BE FREE OF CUTTING BURRS.
- 6.RoHS COMPATIBLE PRODUCT SPECIFICATIONS
 - a - PLATING:
 - "LF" MEANS THE PRODUCT IS LEAD-FREE
 - b - MANUFACTURING PROCESS COMPATIBILITY
 - THE HOUSING WILL WITHSTAND EXPOSURE TO 260°C±5°C PEAK TEMPERATURE FOR 5 SECONDS IN A CONVECTION, INFRA-RED OR VAPOR PHASE REFLOW OVEN.
- 7.A Δ SYMBOL WILL BE NEXT TO ANY DIMENSION, VIEW, OR NOTE WHICH HAS BEEN MODIFIED WITH CURRENT DRAWING REVISION.



POSITION OF MYLAR

PRODUCT NUMBER CODE

10061913-X X X X L F LEAD FREE

HOUSING COLOR OPTIONS

- 0-WHITE
- 1-BLACK

PACKAGING OPTIONS

- T-TRAY PACKAGING WITHOUT CAP
- C-TRAY PACKAGING WITH CAP
- N-TRAY PACKAGING WITH MYLAR
- G-TRAY PACKAGING WITH DUMMY CARD
- V-TRAY FOR VACUUM PACKAGING
- R-TAPE & REEL PACKAGING WITHOUT CAP OR MYLAR (FOR 36P & 64P ONLY)
- P-TAPE & REEL PACKAGING WITH CAP (FOR 36P & 64P & 98P ONLY)
- Q-TAPE & REEL PACKAGING WITH CAP (CUSTOMIZED FOR 98P ONLY)
- M-TAPE & REEL PACKAGING WITH MYLAR (FOR 36P & 64P & 98P ONLY)
- J-TAPE & REEL PACKAGING(24MM PITCH) WITH MYLAR (FOR 98P & 164P ONLY)
- U-REEL FOR VACUUM PACKAGING
- A-44MM WIDTH TAPE&REEL PACKING WITH MYLAR(FOR 36P ONLY)
- Y-HARD TRAY (338x234 FOR 36P, 98P & 164P OPTION ONLY)
- Z-HARD TRAY (338x234)WITH MYLAR (FOR 36P, 98P & 164P OPTION ONLY)
- B-HARD TRAY (338x234)WITH CAP (FOR 36P, 98P & 164P OPTION ONLY)
- H-CUSTOMIZED HARD TRAY (330x235x19.3)WITH 30mm CAP (FOR 98 & 164P ONLY)
- D-SMALLER HARD TRAY WITH CHAMFER AT LEFT-BOTTOM SIDE (323x136x19) WITH 30mm CAP (FOR 164P ONLY) Δ

TERMINAL PLATING OPTIONS

- 0-50u" Ni UNDERPLATE
- 30u" Au CONTACT AREA
- 100u" TIN TAIL AREA ----- COMPATIBLE RoHS
- 1-50u" Ni UNDERPLATE
- 15u" Au CONTACT AREA
- 100u" TIN TAIL AREA ----- COMPATIBLE RoHS
- 2-50u" Ni UNDERPLATE
- GOLD FLASH CONTACT AREA
- 100u" TIN TAIL AREA ----- COMPATIBLE RoHS
- 3-50u" Ni UNDERPLATE
- 30u" Au CONTACT AREA
- GOLD FLASH TAIL AREA ----- COMPATIBLE RoHS

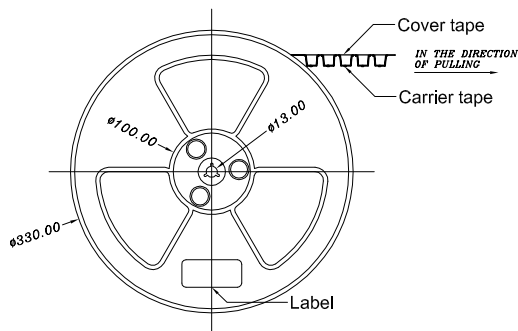
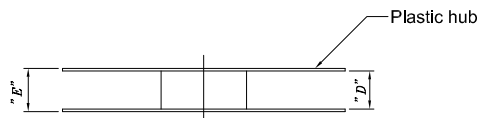
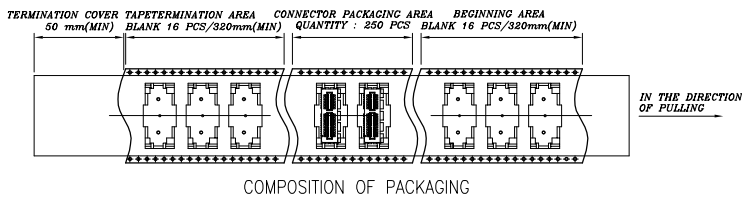
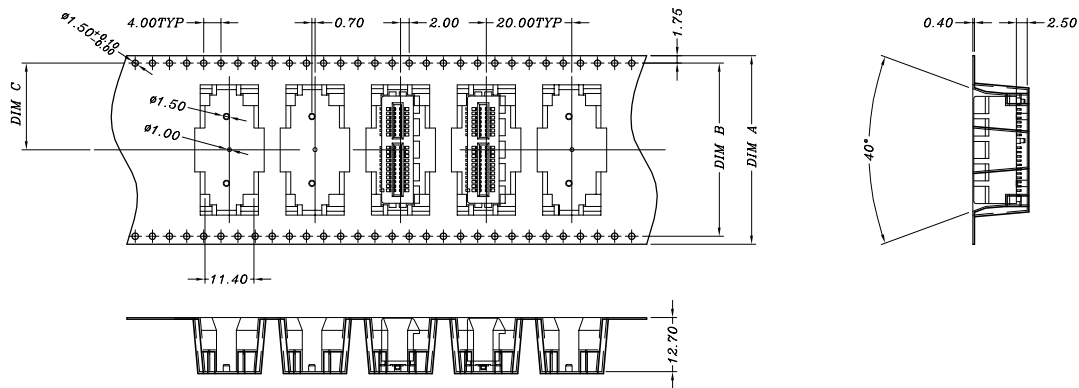
POS OPTIONS

- 0-36
- 1-64
- 2-98
- 3-164

Amphenol FCI

© 2016 AFCI

mat'l. code		surface 58 / tolerance		projection		product family					
-		ISO 1302 \checkmark ISO 406 ISO		101 \oplus \triangleleft		PCI_EXPRESS					
ltr	ecn no	dr	date	tolerances unless otherwise specified		title					
						PCI_EXPRESS_CARD_EDGE_GEN3 ASSEMBLY(SMT)					
				angles	.X±.2	MM		dwg no		sheet 4 of 6	size
				linear	.XX±.13			10061913		A4	
				0°±2'	XXX±.05	scale 2		type		CUSTOMER Drawing	
				dr	STONE_LI	2015/05/27					
				engr	STONE_LI	2015/05/27					
				chr	/	/					
				appd	PM_ZHENG	2015/05/27					
sheet index	revision	P									
	sheet										



TAPE AND REEL
 PACKING
 RECOMMENDED FOR
 36PINS ONLY

POSITIONS	DIMENSIONS				
	A	B	C	D REF.	E REF.
36 (10061913-xxxALF)	44.00	40.40	20.20	44.5	50.5
36	56.00	52.60	26.30	56.4	60.4
64	56.00	52.60	26.30	56.4	60.4
98	88.00	79.60	39.80	88.4	92.4

Amphenol FCI

© 2016 AFCI

mat'l. code			surface 58		tolerance		projection		product family		
-			ISO 1302		ISO 406 ISO		101		PCI_EXPRESS		
ltr ecn no dr date			tolerances unless otherwise specified				MM		title		
			angles		.X±.3				PCI_EXPRESS_CARD_EDGE_GEN3 ASSEMBLY(SMT)		
			linear		.XX±.20		scale 1		sheet 5 of 6 size		
			0°±2°		XXX±.10				A4		
			dr STONE_LI		2015/05/27		Amphenol FCI		dwg no		
			engr STONE_LI		2015/05/27				10061913		
			chr /		/				CUSTOMER Drawing		
			appd PM_ZHENG		2015/05/27						
sheet index		revision	P								
sheet		sheet									

1 For PCI EXPRESS SMT TYPE 36P ONLY.

2. Material :

2.1 Reel :

- 2.1.1 Plastic hub : High Impact Polystyrene
- 2.1.2 Cover tape : PE
- 2.1.3 Carrier tape : ABS
- 2.2 Waterproof bag : PE
- 2.3 Desiccative : Silica Gel
- 2.4 Carton : Corrugated paper
- 2.5 Baffle : E.P.E
- 2.6 Angle paperboard : Corrugated paper

3. Dimension :

3.1 Reel :

- 3.1.1 Plastic hub : $\phi 330 \times T50.5$ mm
- 3.1.2 Cover tape : 5690(L) x 37.4(W) mm
- 3.1.3 Carrier tape : 5640(L) x 44(W)mm
- 3.2 Waterproof bag : 600(H) x 465(W) x 0.06(T) mm
- 3.3 Desiccative : 25 gram / Package
- 3.4 Carton : 380(L) x 380(W) x 300(H) mm
- 3.5 Baffle (1): 370(L) x 370(W) x 15(H) mm
- 3.6 Baffle (2): 355(L) x 252(W) x 15(H) mm
- 3.7 Angle paperboard : 252(H)

4. Quantity :

- 4.1 250 Pcs / Reel
- 4.2 1250 Pcs / Carton

A

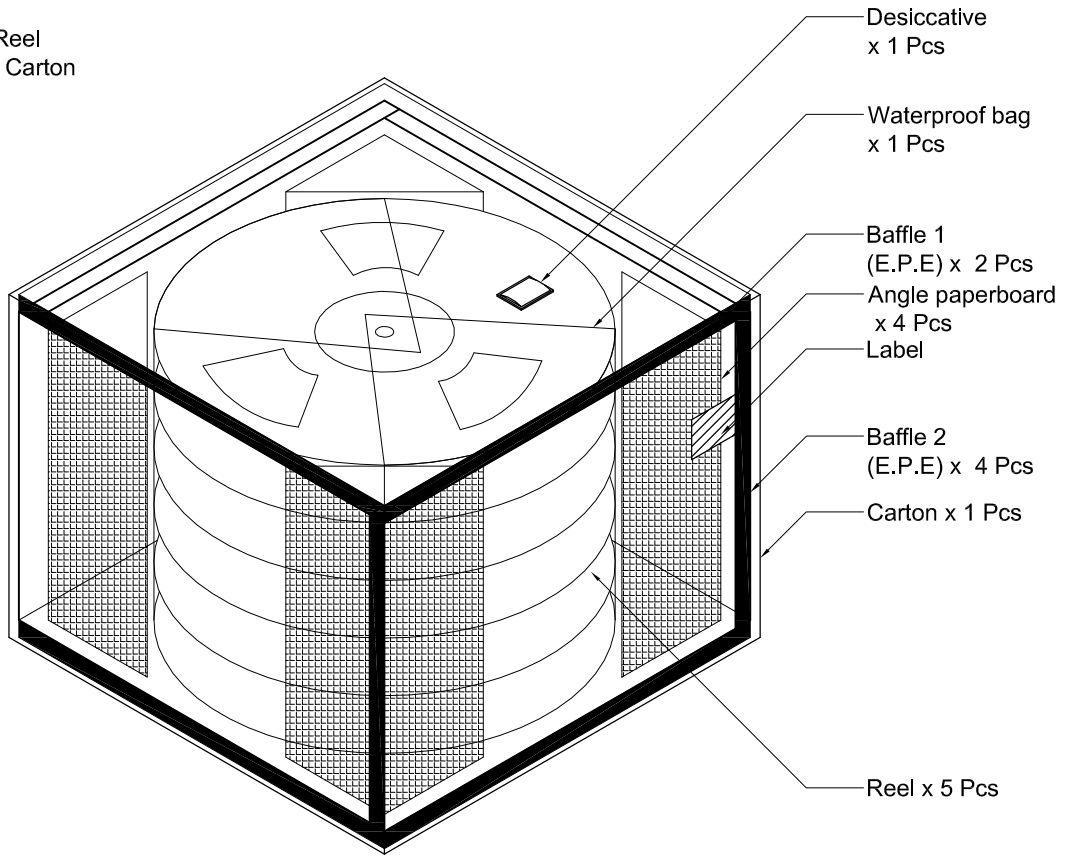
A

B

B

C

C



Amphenol FCI

© 2016 AFCl

©

mat'l. code		surface 58 / ISO 1302 <input checked="" type="checkbox"/>		tolerance ISO 406 ISO 101		projection		product family			
-								PCI_EXPRESS			
ltr	ecn no	dr	date	tolerances unless otherwise specified			MM	title			
				angles	linear			PCI_EXPRESS_CARD_EDGE_GEN3 ASSEMBLY(SMT)			
				0°±2'	XXX±.10			scale 1			
		dr	STONE_LI	2015/05/27				dwg no		sheet 6 of 6	size
		engr	STONE_LI	2015/05/27				10061913		A4	
		chr	/	/							
		appd	PM_ZHENG	2015/05/27				type		CUSTOMER Drawing	
sheet index	revision	P									
	sheet										

D

D

Компания «Life Electronics» занимается поставками электронных компонентов импортного и отечественного производства от производителей и со складов крупных дистрибьюторов Европы, Америки и Азии.

С конца 2013 года компания активно расширяет линейку поставок компонентов по направлению коаксиальный кабель, кварцевые генераторы и конденсаторы (керамические, пленочные, электролитические), за счёт заключения дистрибьюторских договоров

Мы предлагаем:

- Конкурентоспособные цены и скидки постоянным клиентам.
- Специальные условия для постоянных клиентов.
- Подбор аналогов.
- Поставку компонентов в любых объемах, удовлетворяющих вашим потребностям.

- Приемлемые сроки поставки, возможна ускоренная поставка.
- Доставку товара в любую точку России и стран СНГ.
- Комплексную поставку.
- Работу по проектам и поставку образцов.
- Формирование склада под заказчика.

- Сертификаты соответствия на поставляемую продукцию (по желанию клиента).
- Тестирование поставляемой продукции.
- Поставку компонентов, требующих военную и космическую приемку.
- Входной контроль качества.
- Наличие сертификата ISO.

В составе нашей компании организован Конструкторский отдел, призванный помогать разработчикам, и инженерам.

Конструкторский отдел помогает осуществить:

- Регистрацию проекта у производителя компонентов.
- Техническую поддержку проекта.
- Защиту от снятия компонента с производства.
- Оценку стоимости проекта по компонентам.
- Изготовление тестовой платы монтаж и пусконаладочные работы.



Тел: +7 (812) 336 43 04 (многоканальный)
Email: org@lifeelectronics.ru