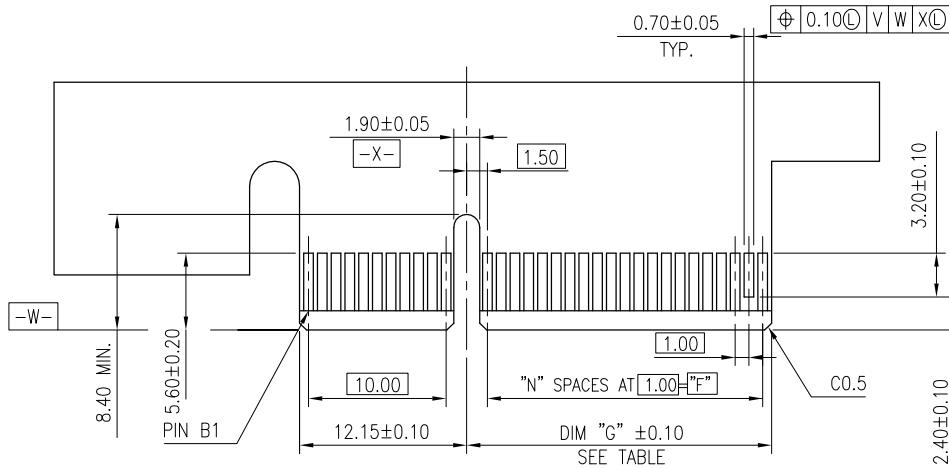


HOLD DOWN TYPE

Amphenol FCI

© 2016 AFCI

mat'l. code			surface 58/ISO 1302			tolerance ISO 406 ISO 101			projection			product family		
-			✓						MM			PCI_EXPRESS		
ltr	ecn no	dr	date			tolerances unless otherwise specified						title		
J	ELX-DG-14311	WL	2013/03/21			.X±.3						PCI_EXPRESS_CARD_EDGE_GEN3		
K	ELX-DG-16269	ST	2013/11/13			.XX±.20						ASSEMBLY(SMT)		
L	ELX-DG-21161-1	ST	2015/05/27			XXX±.10			scale 1					
M	ELX-DG-24164	ZH	dr	STONE_LI	2015/05/27							dwg no sheet 1 of 6 size		
N	ELX-DG-25671-1	ZH	engr	STONE_LI	2015/05/27							10061913 A4		
P	ELX-DG-27937	ZH	chr	/	/							type CUSTOMER Drawing		
			appd	PM_ZHENG	2015/05/27									
sheet index		revision sheet		P										



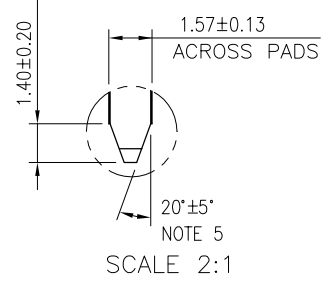
I/O PANEL DIRECTION
PRIMARY (COMPONENT) SIDE



I/O PANEL DIRECTION
SECONDARY (SOLDER) SIDE

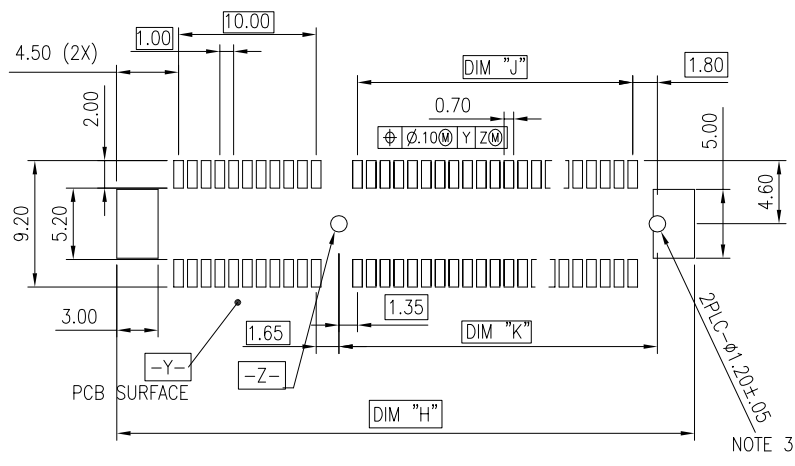
#	POS	REF.	N	DIM "G"	DIM "F"	"F"
36	6		8.15	6.00	B17	
64	20		22.15	20.00	B31	
98	37		39.15	37.00	B48	
164	70		72.15	70.00	B81	

PIN "F" SEE TABLE



ADD-IN CARD EDGE-FINGER DIMENSIONS

mat'l. code		surface 58/ISO 1302		tolerance ISO 406 ISO 101		projection		product family		
-		✓				MM		PCI_EXPRESS		
ltr	ecn no	dr	date	tolerances unless otherwise specified				title		
				angles	.X±.2		PCI_EXPRESS_CARD_EDGE_GEN3 ASSEMBLY(SMT)			
				linear	.XX±.13					
				0°±2°	XXX±.05					
				dr	STONE_LI	2015/05/27	dwg no		sheet 2 of 6	size
				engr	STONE_LI	2015/05/27	10061913		A4	
				chr	/	/	type		CUSTOMER Drawing	
				appd	PM_ZHENG	2015/05/27				
sheet index	revision	P								
	sheet									

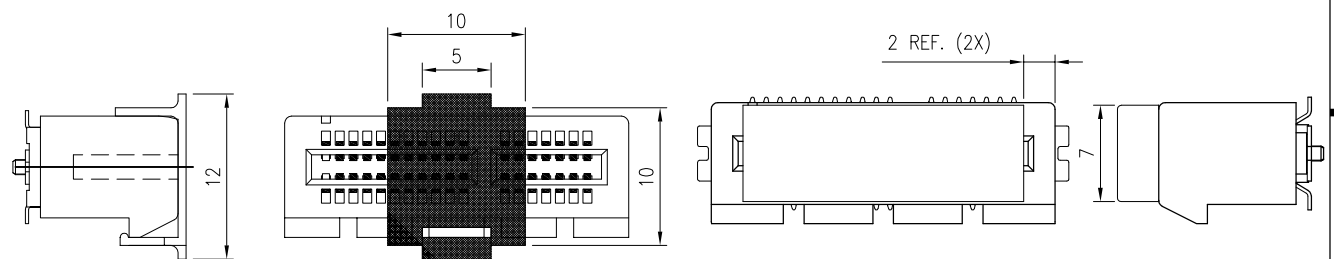


RECOMMENDED PCB LAYOUT, PAD TYPE

DIMENSIONS								
POSITION	A	B $\begin{smallmatrix} +0.15 \\ -0.05 \end{smallmatrix}$	C ± 0.20	D ± 0.23	E ± 0.20	H ± 0.10	J	K ± 0.10
36	6.00	7.65	9.15	25.00	27.00	28.00	6.00	9.15
64	20.00	21.65	23.15	39.00	41.00	42.00	20.00	23.15
98	37.00	38.65	40.15	56.00	58.00	59.00	37.00	40.15
164	70.00	71.65	73.15	89.00	91.00	92.00	70.00	73.15

POSTION OF CAP

POSTION OF DUMMY CARD



POSTION OF CUSTOMIZED CAP(30X12)



Amphenol FCI

© 2016 AFCI

mat'l. code		surface $\frac{58}{1302}$		tolerance $\frac{101}{406}$		projection $\frac{101}{\text{triangle}}$		product family PCI_EXPRESS					
ltr	ecn no	dr	date	tolerances unless otherwise specified				title					
				angles	linear		MM		PCI_EXPRESS_CARD_EDGE_GEN3 ASSEMBLY(SMT)				
				0'±2'			scale 2		dwg no		sheet 3 of 6	size	
				dr	STONE_LI	2015/05/27	Amphenol FCI		10061913		A4		
				engr	STONE_LI	2015/05/27			type		CUSTOMER Drawing		
				chr	/	/							
				appd	PM_ZHENG	2015/05/27							
sheet index	revision	P											
	sheet												

NOTES:

1.MATERIAL:

HOUSING: NYLON, GLASS FILLED UL94V-0 RATE, SUITABLE FOR I.R SOLDERING.

TERMINAL: COPPER ALLOY

PLATING: 50u" NICKEL UNDERPLATE ALL OVER
CONTACT AREA PLATING - SEE PRODUCT NUMBER CODE
SOLDER TAIL: TIN 100u" OVER 50u" NICKEL

METAL PADS: COPPER ALLOY
FINISH: 100u" TIN OVER 50u" NICKEL

2.PRODUCT SPECIFICATION: GS-12-390

③THE HORIZONTAL AXIS FOR THE PAD PATTERN IS ESTABLISHED BY
A LINE THROUGH THE CENTER OF THE TWO Ø1.0 HOLES.
THE VERTICAL AXIS IS 90° TO THE HORIZONTAL AXIS, THROUGH THE CENTER
OF DATUM [Z-]

④NO TIE BAR PERMITTED FROM CARD EDGE TO LEADING EDGE OF PAD FOR
PINS A1.

⑤CHAMFER EDGES MUST BE FREE OF CUTTING BURRS.

6.RoHS COMPATIBLE PRODUCT SPECIFICATIONS

a - PLATING:

- "LF" MEANS THE PRODUCT IS LEAD-FREE

b - MANUFACTURING PROCESS COMPATIBILITY

- THE HOUSING WILL WITHSTAND EXPOSURE TO 260°C±5°C PEAK TEMPERATURE FOR
5 SECONDS IN A CONVECTION, INFRA-RED OR VAPOR PHASE REFLOW OVEN.

7.A ΔSYMBOL WILL BE NEXT TO ANY DIMENSION, VIEW, OR NOTE WHICH HAS BEEN MODIFIED
WITH CURRENT DRAWING REVISION.



POSITION OF MYLAR

PRODUCT NUMBER CODE

10061913-X X X X L F LEAD FREE

HOUSING COLOR OPTIONS

- 0-WHITE
- 1-BLACK

PACKAGING OPTIONS

- T-TRAY PACKAGING WITHOUT CAP
- C-TRAY PACKAGING WITH CAP
- N-TRAY PACKAGING WITH MYLAR
- G-TRAY PACKAGING WITH DUMMY CARD
- V-TRAY FOR VACUUM PACKAGING
- R-TAPE & REEL PACKAGING WITHOUT CAP OR MYLAR (FOR 36P & 64P ONLY)
- P-TAPE & REEL PACKAGING WITH CAP (FOR 36P & 64P & 98P ONLY)
- Q-TAPE & REEL PACKAGING WITH CAP (CUSTOMIZED FOR 98P ONLY)
- M-TAPE & REEL PACKAGING WITH MYLAR (FOR 36P & 64P & 98P ONLY)
- J-TAPE & REEL PACKAGING(24MM PITCH) WITH MYLAR (FOR 98P & 164P ONLY)
- U-REEL FOR VACUUM PACKAGING
- A-44MM WIDTH TAPE&REEL PACKING WITH MYLAR(FOR 36P ONLY)
- Y-HARD TRAY (338x234 FOR 36P, 98P & 164P OPTION ONLY)
- Z-HARD TRAY (338x234)WITH MYLAR (FOR 36P, 98P & 164P OPTION ONLY)
- B-HARD TRAY (338x234)WITH CAP (FOR 36P, 98P & 164P OPTION ONLY)
- H-CUSTOMIZED HARD TRAY (330x235x19.3)WITH 30mm CAP (FOR 98 & 164P ONLY)
- D-SMALLER HARD TRAY WITH CHAMFER AT LEFT-BOTTOM SIDE (323x136x19) WITH 30mm CAP (FOR 164P ONLY) Δ

TERMINAL PLATING OPTIONS

- 0-50u" Ni UNDERPLATE
30u" Au CONTACT AREA
100u" TIN TAIL AREA ----- COMPATIBLE RoHS
- 1-50u" Ni UNDERPLATE
15u" Au CONTACT AREA
100u" TIN TAIL AREA ----- COMPATIBLE RoHS
- 2-50u" Ni UNDERPLATE
GOLD FLASH CONTACT AREA
100u" TIN TAIL AREA ----- COMPATIBLE RoHS
- 3-50u" Ni UNDERPLATE
30u" Au CONTACT AREA
GOLD FLASH TAIL AREA ----- COMPATIBLE RoHS

POS OPTIONS

- 0-36
- 1-64
- 2-98
- 3-164

Amphenol FCI

© 2016 AFCI

mat'l. code		surface 58/ISO 1302		tolerance ISO 406 ISO 101		projection		product family			
-		✓		ISO 406 ISO 101		101		PCI_EXPRESS			
ltr	ecn no	dr	date	tolerances unless otherwise specified		MM		title			
				angles	linear	← →		PCI_EXPRESS_CARD_EDGE_GEN3 ASSEMBLY(SMT)			
				0°±2'		scale 2		dwg no		sheet 4 of 6	size
				engr	STONE_LI	2015/05/27		10061913		A4	
				chr	/	/		type			
				appd	PM_ZHENG	2015/05/27		CUSTOMER Drawing			
sheet index	revision	P									
	sheet										



TAPE AND REEL
 PACKING
 RECOMMENDED FOR
 36PINS ONLY

DIMENSIONS					
POSITIONS	A	B	C	D REF.	E REF.
36 (10061913-xxxALF)	44.00	40.40	20.20	44.5	50.5
36	56.00	52.60	26.30	56.4	60.4
64	56.00	52.60	26.30	56.4	60.4
98	88.00	79.60	39.80	88.4	92.4

Amphenol FCI

© 2016 AFCI

mat'l. code		surface 58/ISO 1302		tolerance ISO 406 ISO 101		projection		product family					
ltr		ecn no		dr		date		tolerances unless otherwise specified		title		sheet 5 of 6	
								angles linear		PCI_EXPRESS_CARD_EDGE_GEN3 ASSEMBLY(SMT)		size	
								0°±2°		MM		A4	
				dr		2015/05/27		xxx±.10		scale 1		sheet 5 of 6	
				engr		2015/05/27		Amphenol FCI		dwg no		sheet 5 of 6	
				chr		/				10061913		A4	
				appd		2015/05/27				type		CUSTOMER Drawing	
sheet index		revision sheet		P									

1 For PCI EXPRESS SMT TYPE 36P ONLY.

2. Material :

2.1 Reel :

- 2.1.1 Plastic hub : High Impact Polystyrene
- 2.1.2 Cover tape : PE
- 2.1.3 Carrier tape : ABS
- 2.2 Waterproof bag : PE
- 2.3 Desiccative : Silica Gel
- 2.4 Carton : Corrugated paper
- 2.5 Baffle : E.P.E
- 2.6 Angle paperboard : Corrugated paper

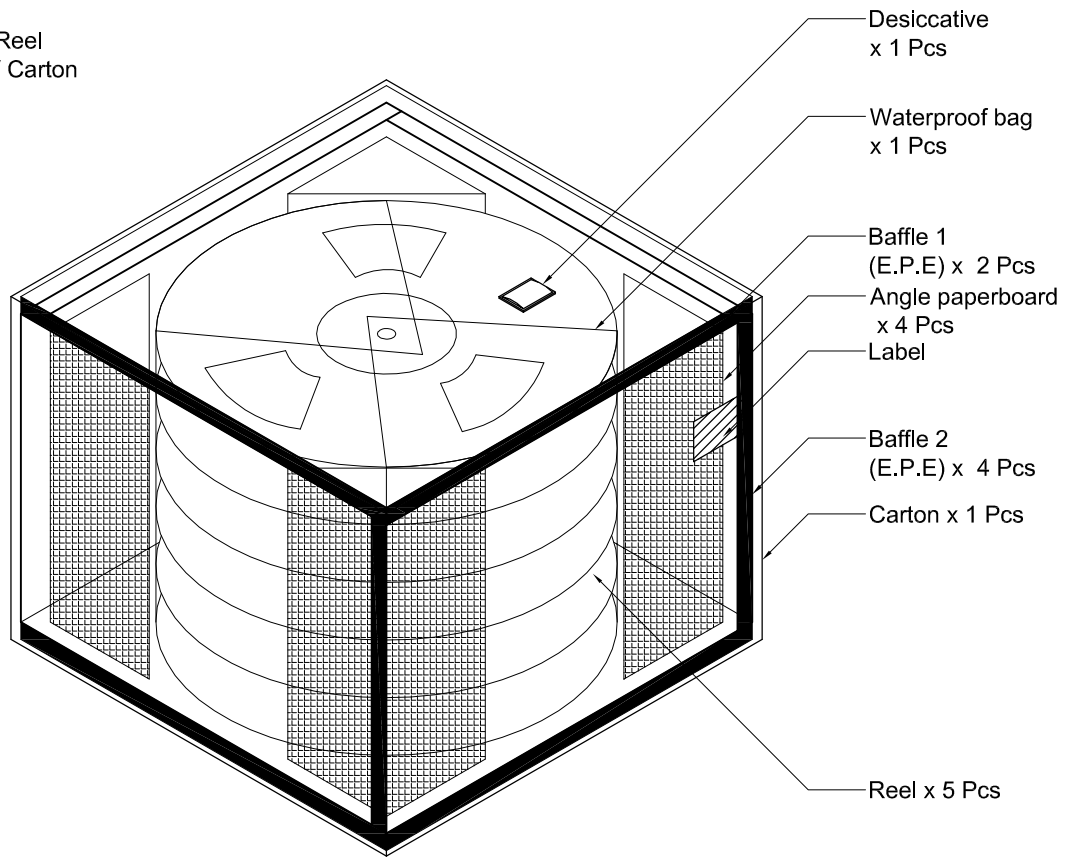
3. Dimension :

3.1 Reel :

- 3.1.1 Plastic hub : $\phi 330 \times T50.5$ mm
- 3.1.2 Cover tape : 5690(L) x 37.4(W) mm
- 3.1.3 Carrier tape : 5640(L) x 44(W)mm
- 3.2 Waterproof bag : 600(H) x 465(W) x 0.06(T) mm
- 3.3 Desiccative : 25 gram / Package
- 3.4 Carton : 380(L) x 380(W) x 300(H) mm
- 3.5 Baffle (1): 370(L) x 370(W) x 15(H) mm
- 3.6 Baffle (2): 355(L) x 252(W) x 15(H) mm
- 3.7 Angle paperboard : 252(H)

4. Quantity :

- 4.1 250 Pcs / Reel
- 4.2 1250 Pcs / Carton



A

A

B

B

C

C

Amphenol FCI

© 2016 APCI

©

mat'l. code		surface 58/ISO 1302 ✓		tolerance ISO 406 ISO 101		projection		product family PCI_EXPRESS				
ltr	ecn no	dr	date	tolerances unless otherwise specified				MM ← → scale 1	title PCI_EXPRESS_CARD_EDGE_GEN3 ASSEMBLY(SMT)			
				angles	linear	.X±.3 .XX±.20 XXX±.10			dwg no			
				0°±2°					sheet 6 of 6		size	
				dr	STONE_LI	2015/05/27		Amphenol FCI		10061913		A4
				engr	STONE_LI	2015/05/27		type		CUSTOMER Drawing		
				chr	/	/						
				appd	PM_ZHENG	2015/05/27						
sheet index	revision	P										
	sheet											

D

D

Компания «Life Electronics» занимается поставками электронных компонентов импортного и отечественного производства от производителей и со складов крупных дистрибьюторов Европы, Америки и Азии.

С конца 2013 года компания активно расширяет линейку поставок компонентов по направлению коаксиальный кабель, кварцевые генераторы и конденсаторы (керамические, пленочные, электролитические), за счёт заключения дистрибьюторских договоров

Мы предлагаем:

- Конкурентоспособные цены и скидки постоянным клиентам.
- Специальные условия для постоянных клиентов.
- Подбор аналогов.
- Поставку компонентов в любых объемах, удовлетворяющих вашим потребностям.
- Приемлемые сроки поставки, возможна ускоренная поставка.
- Доставку товара в любую точку России и стран СНГ.
- Комплексную поставку.
- Работу по проектам и поставку образцов.
- Формирование склада под заказчика.
- Сертификаты соответствия на поставляемую продукцию (по желанию клиента).
- Тестирование поставляемой продукции.
- Поставку компонентов, требующих военную и космическую приемку.
- Входной контроль качества.
- Наличие сертификата ISO.

В составе нашей компании организован Конструкторский отдел, призванный помогать разработчикам, и инженерам.

Конструкторский отдел помогает осуществить:

- Регистрацию проекта у производителя компонентов.
- Техническую поддержку проекта.
- Защиту от снятия компонента с производства.
- Оценку стоимости проекта по компонентам.
- Изготовление тестовой платы монтаж и пусконаладочные работы.



Тел: +7 (812) 336 43 04 (многоканальный)

Email: org@lifeelectronics.ru