

WIRELESS & SENSING PRODUCTS

Features

- Dual modem overlay PLC+RF+LoRa®
- Dual modem PLC for path A, RF for path B
- Multi-band and multi-standard RF and PLC
- Integrated hardware AES encryption & decryption engine
- Internal processor for network layer
 - ♦ 6LowPan
 - ♦ IEC 61334-4-32
 - ♦ Bridging and routing data packets between two modems
- Internal processor for upper layers applications such as Echonet-Lite
- Integrated secure flash memory
- Software architecture, future proof.
- Firmware upgradable Over The Air (OTA) or Over The Wire (OTW)
- Industrial temperature range

Applications

- Automated meter reading
- Revenue protection kiosk
- Home and building automation
- Industrial monitoring and control
- HAN/LAN gateway

Description

The EV8600 is a hybrid sub-GHz RF + narrowband PLC single-chip transceiver SoC with both modems capable of simultaneous or independent operation. The PLC block of EV8600 comprises a multi-band (including CENELEC, FCC and ARIB bands), multi-standard modem covering the following standards:

- ITU-T G.9903 (G3-PLC)
- ITU-T G.9904 (PRIME)
- IEEE P1901.2
- IEC 61334 (S-FSK)

On the RF side, the EV8600 covers bands from 137MHz to 1020MHz and features LoRa®, which provides ultra-long spread spectrum communications and high interference immunity. The radio modem covers the following standards:

- LoRa®
- 802.15.4g (WiSUN)
- Wireless MBUS

Block Diagram

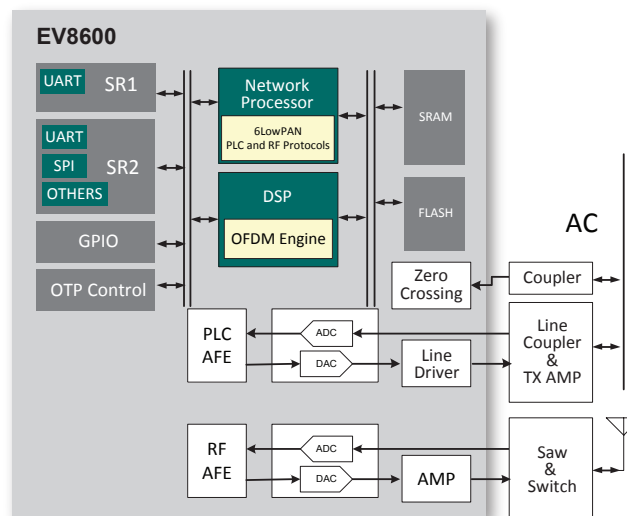


Figure A: EV8600 Block Diagram



Important Notice

Information relating to this product and the application or design described herein is believed to be reliable, however such information is provided as a guide only and Semtech assumes no liability for any errors in this document, or for the application or design described herein. Semtech reserves the right to make changes to the product or this document at any time without notice. Buyers should obtain the latest relevant information before placing orders and should verify that such information is current and complete. Semtech warrants performance of its products to the specifications applicable at the time of sale, and all sales are made in accordance with Semtech's standard terms and conditions of sale.

SEMTECH PRODUCTS ARE NOT DESIGNED, INTENDED, AUTHORIZED OR WARRANTED TO BE SUITABLE FOR USE IN LIFE-SUPPORT APPLICATIONS, DEVICES OR SYSTEMS, OR IN NUCLEAR APPLICATIONS IN WHICH THE FAILURE COULD BE REASONABLY EXPECTED TO RESULT IN PERSONAL INJURY, LOSS OF LIFE OR SEVERE PROPERTY OR ENVIRONMENTAL DAMAGE. INCLUSION OF SEMTECH PRODUCTS IN SUCH APPLICATIONS IS UNDERSTOOD TO BE UNDERTAKEN SOLELY AT THE CUSTOMER'S OWN RISK. Should a customer purchase or use Semtech products for any such unauthorized application, the customer shall indemnify and hold Semtech and its officers, employees, subsidiaries, affiliates, and distributors harmless against all claims, costs damages and attorney fees which could arise.

The Semtech name and logo are registered trademarks of the Semtech Corporation. All other trademarks and trade names mentioned may be marks and names of Semtech or their respective companies. Semtech reserves the right to make changes to, or discontinue any products described in this document without further notice. Semtech makes no warranty, representation or guarantee, express or implied, regarding the suitability of its products for any particular purpose. All rights reserved.

© Semtech 2016

Contact Information

Semtech Corporation
Wireless & Sensing Products
200 Flynn Road, Camarillo, CA 93012
E-mail: sales@semtech.com or support_SMG@semtech.com
Phone: (805) 498-2111, Fax: (805) 498-3804
www.semtech.com

Компания «Life Electronics» занимается поставками электронных компонентов импортного и отечественного производства от производителей и со складов крупных дистрибьюторов Европы, Америки и Азии.

С конца 2013 года компания активно расширяет линейку поставок компонентов по направлению коаксиальный кабель, кварцевые генераторы и конденсаторы (керамические, пленочные, электролитические), за счёт заключения дистрибьюторских договоров

Мы предлагаем:

- Конкурентоспособные цены и скидки постоянным клиентам.
- Специальные условия для постоянных клиентов.
- Подбор аналогов.
- Поставку компонентов в любых объемах, удовлетворяющих вашим потребностям.
- Приемлемые сроки поставки, возможна ускоренная поставка.
- Доставку товара в любую точку России и стран СНГ.
- Комплексную поставку.
- Работу по проектам и поставку образцов.
- Формирование склада под заказчика.
- Сертификаты соответствия на поставляемую продукцию (по желанию клиента).
- Тестирование поставляемой продукции.
- Поставку компонентов, требующих военную и космическую приемку.
- Входной контроль качества.
- Наличие сертификата ISO.

В составе нашей компании организован Конструкторский отдел, призванный помогать разработчикам, и инженерам.

Конструкторский отдел помогает осуществить:

- Регистрацию проекта у производителя компонентов.
- Техническую поддержку проекта.
- Защиту от снятия компонента с производства.
- Оценку стоимости проекта по компонентам.
- Изготовление тестовой платы монтаж и пусконаладочные работы.



Тел: +7 (812) 336 43 04 (многоканальный)

Email: org@lifeelectronics.ru