

NEW
**USB Type-C™**
DX07 Series HarnessCONNECTOR
MB-0324-2
October 2017**RoHS Compliant**USB 3.1 Gen 2
1m HarnessUSB 3.1 Gen 1
2m Harness

<<Outline>>

The DX07 Series connectors are compatible with the next-generation USB specification "USB Type-C™" and are expected to become popular as a standard interface for various devices.

Note) USB Type-C™ is a trademark of USB Implementers Forum, Inc.

Features

- Compatible with Universal Serial Bus Type-C Specification Release 1.3
- Compatible with USB Power Delivery 3.0
- Compatible with 10Gbps SuperSpeed Plus communication (USB 3.1 Gen2)
- Supports 5A max power supply (Compatible with USB Power Delivery)
- Symmetric interface which allows for the plug to be inserted upside down or right side up.
- Superior EMI / EMC characteristics.
- Lock structure with superior durability.
- Realizes downsizing of hood.

Applicable Markets

Mobile phones, smartphones, tablets, notebook PCs, TV, monitor, gaming devices, external storage mediums, digital cameras, and other small portable devices and industrial equipment

General Specifications

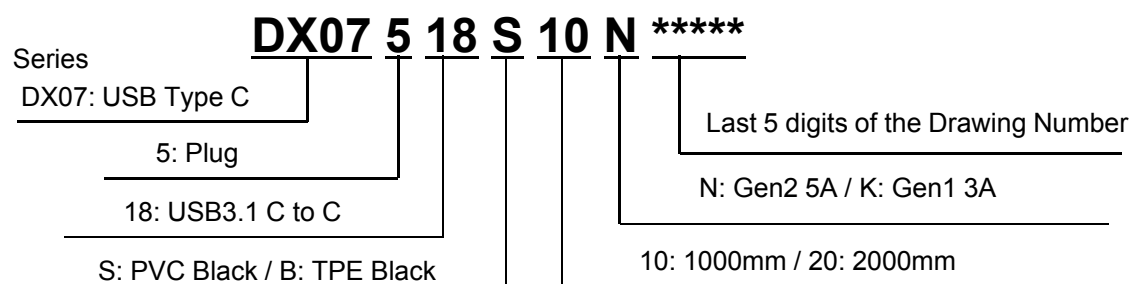
Connector Type	Type-C Plug on Both Ends			
Product Number	DX07518S10N 18747	DX07518S20K 18747	DX07518B10N 19114	DX07518B20K 19114
Length	1m	2m	1m	2m
Rated Current	5 A max.	3 A max.	5 A max.	3 A max.
Applicable Standards	USB 3.1 Gen 2	USB 3.1 Gen 1	USB 3.1 Gen 2	USB 3.1 Gen 1
	USB Type-C Rev. 1.3, USB Power Delivery Rev 3.0			
Material / Color (hood, bushing, and cable)	PVC / Black		TPE / Black	
USB Certification	Certified		Now Planned	
TID	5,200,000,570	3,200,000,113	-	-
No. of Contacts for Plug	24 pos.			
Rated Voltage	AC 20 V r.m.s.			
Contact Resistance	Initial 40 mΩ max.			
Dielectric Withstanding Voltage	AC 100 V r.m.s. (for 1 minute)			
Insulation Resistance	Initial 10 MΩ min.			
Operating Temperature Range	+10° C to +40° C			
Mating Durability	10,000 times			

Materials and Finishes

Components	Materials and Finishes
Plug	DX07P024AJ5
Paddle Guard	Multi-layer glass-epoxy board
Back Shell	Stainless steel
Locator	Glass-reinforced nylon
Accessory Parts	Heat resistant tape, adhesive, and others
Inner Mold	PA
Outer Mold	PVC Black or TPE Black
Cable Jacket	PVC Black or TPE Black

Note: Please refer to the Product Drawings for further details.

Ordering Information



Part Number	Drawing No.	Specifications
DX07518S10N18747	SJ118747	JACS-40186
DX07518S20K18747		
DX07518B10N19114	SJ119114	
DX07518B20K19114		

Product Drawing

Unit: mm

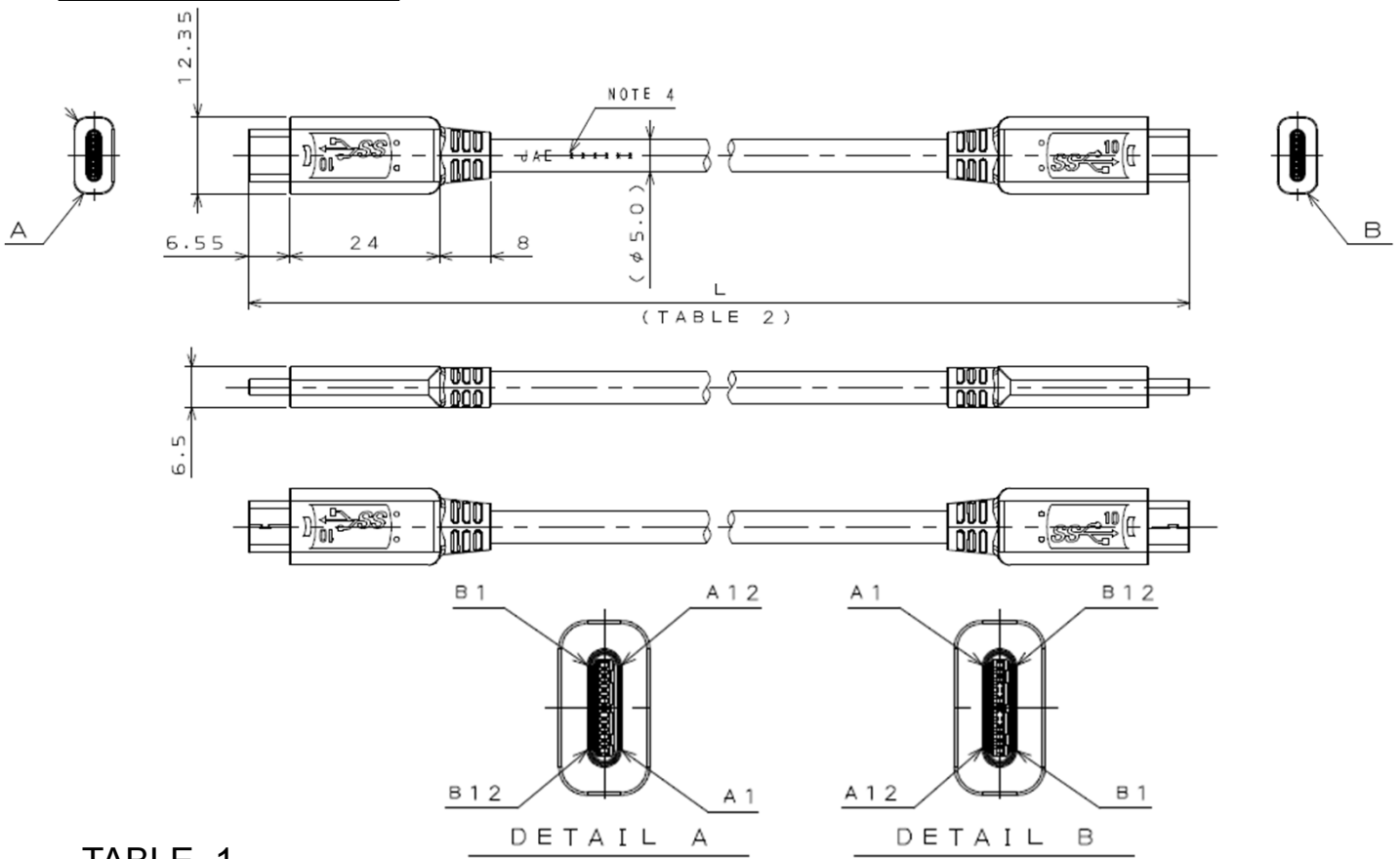
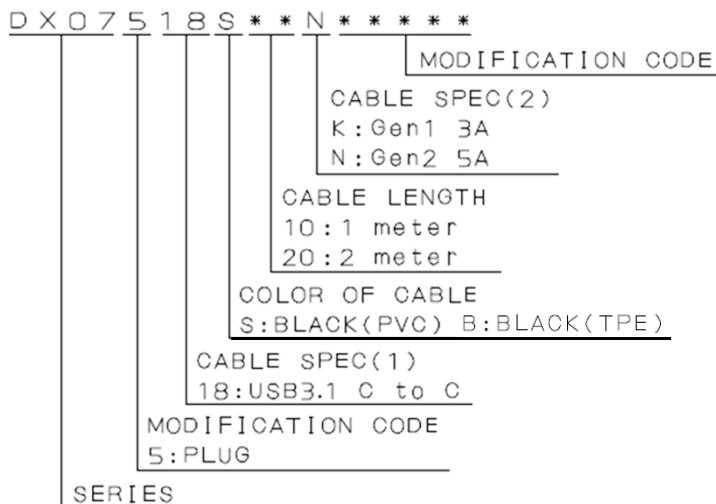


TABLE 1

Part Number	L	USB Version	USB Logo on Outer Mold
DX07518S10N18747	1000	USB 3.1 Gen 2	
DX07518B10N19114	1000		
DX07518S20K18747	2000	USB 3.1 Gen 1	
DX07518B20K19114	2000		

Nomenclature
命名法



LOT No.

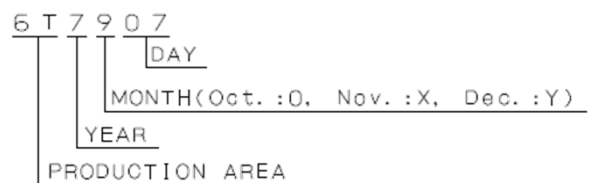
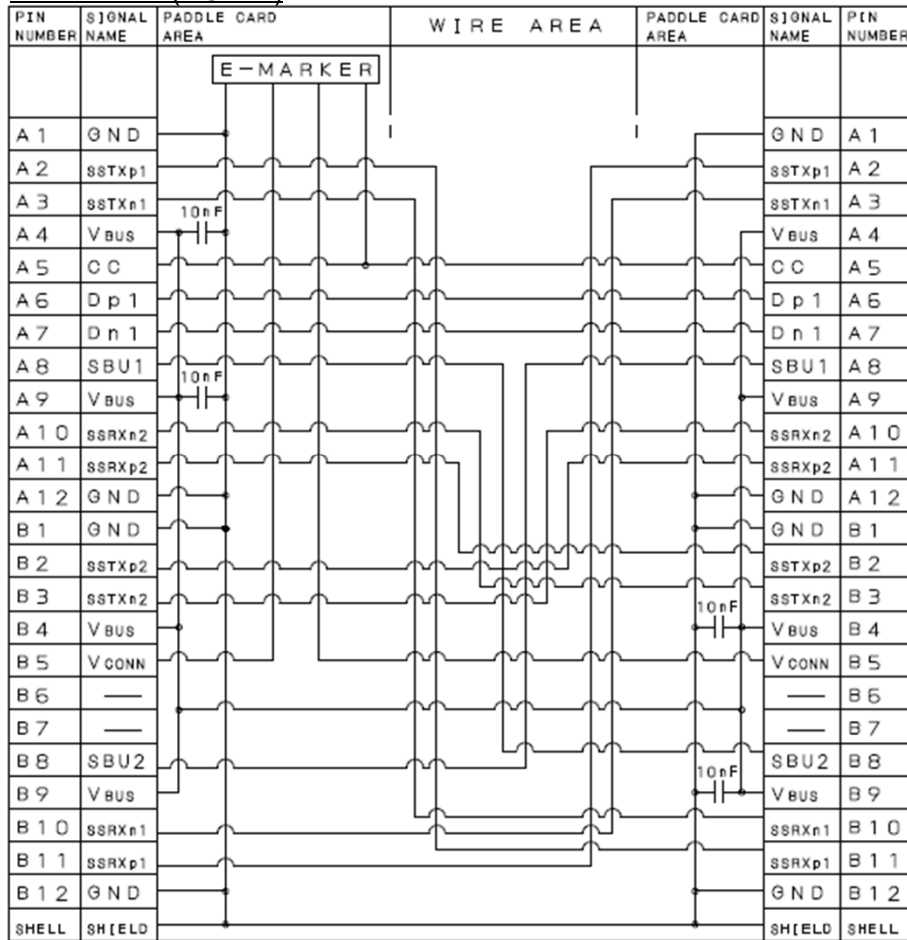


TABLE 2 (NOTE1)



- NOTE1. CIRCUIT SCHEMATIC OF PADDLE CARD IS SHOWN IN TABLE 2.
 2. THIS CABLE ASSEMBLY IS FOR "USB3.1 TYPE-C TO TYPE-C" SPEC.
 3. USB VERSION AND USB LOGO VERSION ARE SHOWN IN TABLE 1.
 4. LOT NUMBER IS MARKED BETWEEN EACH OUTER MOLD.
 5. 100% OPEN,SHORT & MIS-WIRE TEST.

Notice:

- The values specified in this brochure are only for reference. The products and their specifications are subject to change without notice. Contact our sales staff for further information before considering or ordering any of our products. For purchase, a product specification must be agreed upon.
- Users are requested to provide protection circuits and redundancy circuits to ensure safety of the equipment, and sufficiently review the suitability of JAE's products to the equipment.
- The products presented in this brochure are designed for the uses recommended below. We strongly suggest you contact our sales staff when considering use of any of the products in any other way than the recommended applications or for a specific use that requires an extremely high reliability.
 - Applications that require consultation:
 - Please contact us if you are considering use involving a quality assurance program that you specify or that is peculiar to the industry, such as:
Automotive electrical components, train control, telecommunications devices (mainline), traffic light control, electric power, combustion control, fire prevention or security systems, disaster prevention equipment, etc.
 - We may separately give you our support with a quality assurance program that you specify, when you think of a use such as :
Aviation or space equipment, submarine repeaters, nuclear power control systems, medical equipment for life support, etc.
 - Recommended applications include:
Computers, office appliances, telecommunications devices (terminals, mobile units), measuring equipment, audiovisual equipment, home electric appliances, factory automation equipment, etc.

Japan Aviation Electronics Industry, Limited

Product Marketing Division
 Aobadai Building, 3-1-19, Aobadai, Meguro-ku, Tokyo 153-8539
 Phone: +81-3-3780-2882 FAX: +81-3-3780-2946

* The specifications in this brochure are subject to change without notice. Please contact JAE for information.

Mouser Electronics

Authorized Distributor

Click to View Pricing, Inventory, Delivery & Lifecycle Information:

[JAE Electronics:](#)

[DX07518S10N18747](#) [DX07518S20K18747](#)

Компания «Life Electronics» занимается поставками электронных компонентов импортного и отечественного производства от производителей и со складов крупных дистрибьюторов Европы, Америки и Азии.

С конца 2013 года компания активно расширяет линейку поставок компонентов по направлению коаксиальный кабель, кварцевые генераторы и конденсаторы (керамические, пленочные, электролитические), за счёт заключения дистрибьюторских договоров

Мы предлагаем:

- Конкурентоспособные цены и скидки постоянным клиентам.
- Специальные условия для постоянных клиентов.
- Подбор аналогов.
- Поставку компонентов в любых объемах, удовлетворяющих вашим потребностям.
- Приемлемые сроки поставки, возможна ускоренная поставка.
- Доставку товара в любую точку России и стран СНГ.
- Комплексную поставку.
- Работу по проектам и поставку образцов.
- Формирование склада под заказчика.
- Сертификаты соответствия на поставляемую продукцию (по желанию клиента).
- Тестирование поставляемой продукции.
- Поставку компонентов, требующих военную и космическую приемку.
- Входной контроль качества.
- Наличие сертификата ISO.

В составе нашей компании организован Конструкторский отдел, призванный помогать разработчикам, и инженерам.

Конструкторский отдел помогает осуществить:

- Регистрацию проекта у производителя компонентов.
- Техническую поддержку проекта.
- Защиту от снятия компонента с производства.
- Оценку стоимости проекта по компонентам.
- Изготовление тестовой платы монтаж и пусконаладочные работы.



Тел: +7 (812) 336 43 04 (многоканальный)

Email: org@lifeelectronics.ru