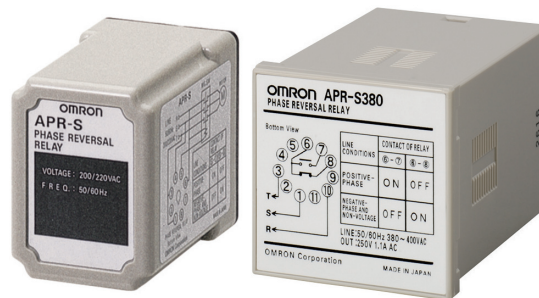


# Reverse Protection Relay APR-S

CSM\_APR-S\_DS\_E\_3\_3

## Uses Voltage Detection to Determine Reverse Revolution of Three-phase Motor

- Detects motor reversal due to incorrect wiring.
- Direction of motor revolution is detected as soon as power is applied to the Relay. If the power is reversed, the magnetic contactor locks in the open state.
- The magnetic contactor can also be wired to protect it from being closed in open phase.
- Small, plug-in Relay that needs no adjustment.
- Uses voltage detection method to operate independently of load current.



APR-S (200/220 V)

APR-S380 (380/400 V)  
APR-S440 (440 V)

## Model Number Structure

### Model Number Legend

APR-S□  
1 2

1. Reverse Protection Relay

2. Control Power Supply Voltage

None: 200/220 VAC  
380: 380/400 VAC  
440: 440 VAC

## Ordering Information

### List of Models

Supply voltage	Model
200/220V	APR-S
380/400V	APR-S380
440V	APR-S440

### Connecting Sockets (Order Separately)

Applicable model	Socket		Mounting bracket
	Type	Model	Model
APR-S	Front-mounting socket	PF083A	PFC-A6
	Back-mounting socket	PL08	PLC-7
APR-S380	Front-mounting socket	P2CF-11	---
APR-S440	Back-mounting socket	PL11	Y92H-1

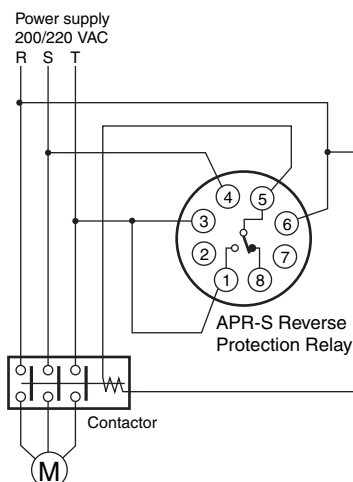
# Specifications

## ■ Ratings/Characteristics

Type	APR-S	APR-S380	APR-S440
Supply voltage	3-phase, 200/220 VAC, 50/60 Hz	3-phase, 380/400 VAC, 50/60 Hz	3-phase, 440 VAC, 50/60 Hz
Operating voltage range	170 to 240 VAC	350 to 420 VAC	410 to 460 VAC
Operate time	100 ms max. (Until detecting positive phase or reverse phase after applying voltage)		
Control output	1.1 A at 200 VAC, $\cos\phi = 1$ , SPDT 2 A at 115 VAC, $\cos\phi = 1$ 0.6 A at 200 VAC, $\cos\phi = 0.4$ 1.2 A at 115 VAC, $\cos\phi = 0.4$	1.1 A at 250 VAC, $\cos\phi = 1$ , SPDT 0.6 A at 250 VAC, $\cos\phi = 0.4$	
Insulation resistance	100 M $\Omega$ min. (at 500 VDC)		
Dielectric strength	2,000 VAC, 50/60 Hz for 1 min		
Shock	Malfunction: 98 m/s <sup>2</sup> (approx. 10 G)		
Ambient temperature	-10 to 50 °C		
Life expectancy	Mechanical: 1,000,000 operations min. Electrical: 100,000 operations min.		
Weight	Approx. 100 g		

## Connections

### To Detect Reverse Phase or Open Phase



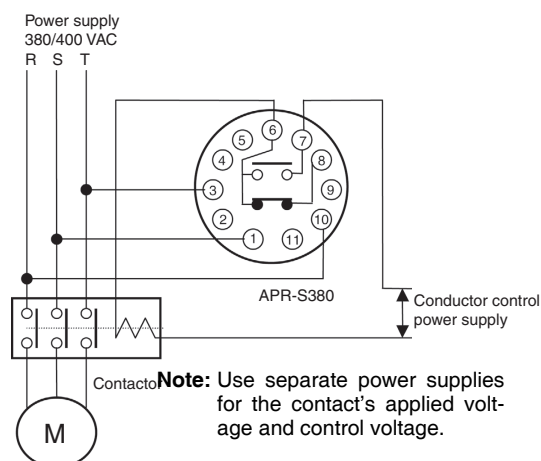
### Operation

- Suppose the motor revolves in the forward direction when the input terminals ⑥, ④, and ③ of the APR-S are connected, in this sequence, to the power lines. The APR-S Relay turns ON when the phase sequence of the voltage is in the forward direction, that is, when the power lines R, S, and T are energized in this sequence. When the Relay turns ON, terminals ⑤ and ① conduct, energizing the contactor. If one of the three phases is reversed, the Relay does not turn ON and the contactor is not energized.
- To protect the motor from damage due to open phase, the wiring must be performed in exactly the same way as shown in this figure (i.e., so that the phase connecting the contactor coil is not the same as the phase connecting terminal ④ of the Relay). If phase R or T is open, the contactor does not operate because one side of its coil is not energized. If phase S (connected to terminal ④ of the Relay) opens, the Relay does not turn ON, allowing no current flow between terminals ⑤ and ①. The contactor therefore does not operate.

Note, however, that the contactor is prevented from operating by preventing an open-phase voltage from flowing into the motor and not by the open-phase protection feature of the Relay.

**Note:** Open-phase detection is only possible when a 200/220-VAC APR-S is used with the wiring exactly the same as shown in the above diagram.

### To Switch to Reverse Phase



**Note:** Use separate power supplies for the contact's applied voltage and control voltage.

### Operation

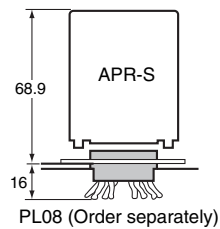
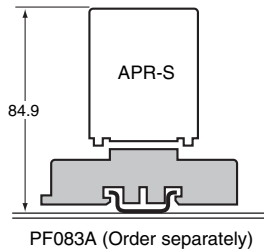
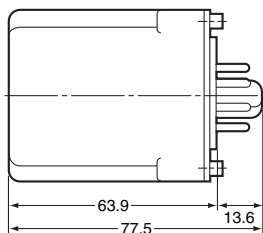
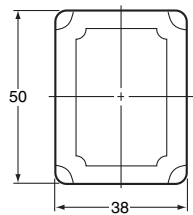
- Suppose the motor revolves in the forward direction when the input terminals ⑩, ①, and ③ of the APR-S are connected, in this sequence, to the power lines R, S, and T, respectively. The APR-S Relay turns ON when the phase sequence of the current is in the forward direction, that is, when the power lines R, S, and T are energized in this sequence. When the Relay turns ON, terminals ⑥ and ⑦ conduct, energizing the contactor. If one of the three phases is reversed, the Relay does not turn ON, and terminals ⑥ and ⑦ do not conduct, but a current flows between terminals ⑥ and ⑧, energizing the reverse-phase contactor.

**Note:** Open-phase detection is not possible.

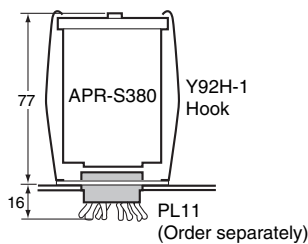
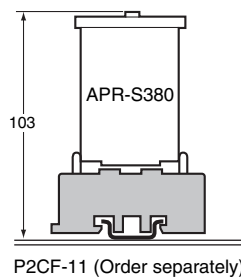
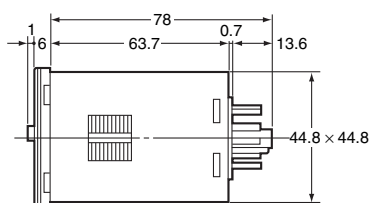
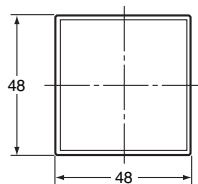
# Accessories (Order Separately)

## ■ Dimensions

APR-S

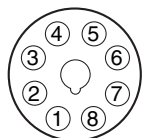


APR-S380/S440



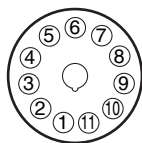
## ■ Terminal Arrangement

APR-S



(Bottom View)

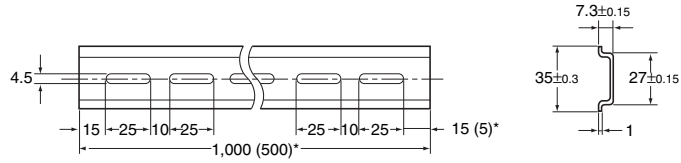
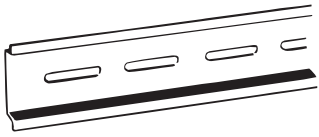
APR-S380/S440



(Bottom View)

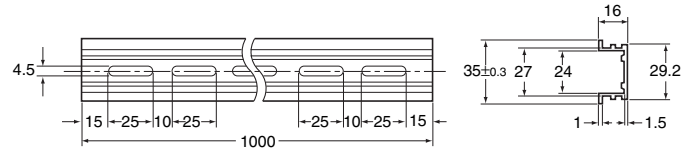
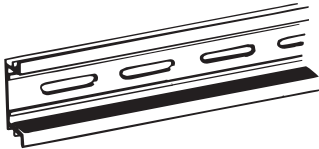
## ■ Accessories for Track Mounting

### PFP-100N/PFP-50N Socket Mounting Track

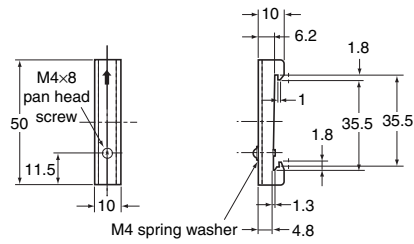
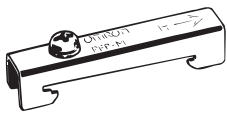


\* The dimensions given in parentheses are for the PFP-50N Socket Mounting Track.

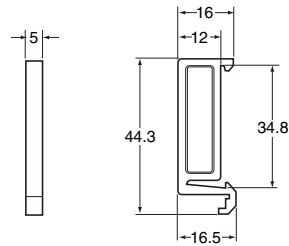
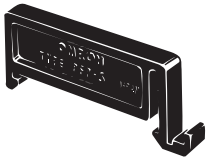
### PFP-100N2 Socket Mounting Track



### PFP-M End Plate



### Spacer



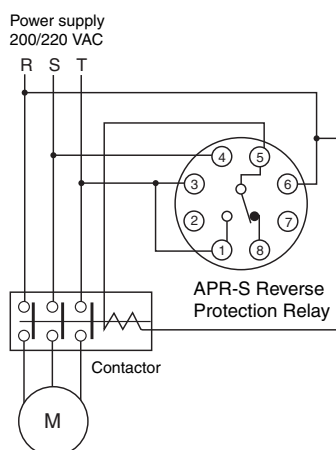
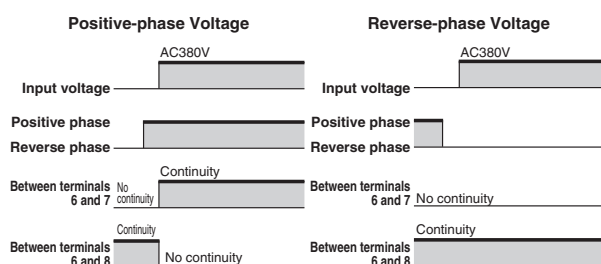
# Safety Precautions

## Correct Use

- With the APR-S, APR-S380, or APR-S440 an open phase at startup can be prevented only if connections are external and wiring has been performed to detect reverse phase and open phase at startup when the power supply is turned ON. When doing so, use an SE Static Motor Relay. An open phase when the power supply is turned ON can be detected only when it occurs between the APR-S, APR-S380, or APR-S440 and the power supply. An open phase cannot be detected on the load side.
- Suppose the motor revolves in the forward direction when the input terminals 6, 4, and 3 of the APR-S are connected, in this sequence, to the power lines. If the phase sequence of the power supply applied to the APR-S is a positive sequence (i.e., applying to R to S to T in the order of 6 to 4 to 3), the relay built into the APR-S will turn ON, there will be continuity between terminals 5 and 1, and the contactor will be energized. For reverse phase, the built-in relay will not turn ON and the contactor will not be energized.
- The positive phase sequence for the APR-S380 or APR-S440 corresponds to the following order of the input terminals: 10 to 1 to 3. If the phase sequence of the power supply applied to the APR-S380 or APR-S440 is a positive sequence (i.e., applying to R to S to T in the order of 10 to 1 to 3), the relay built into the APR-S380 or APR-S440 will turn ON, there will be continuity between terminals 6 and 7, and the contactor will be energized. For reverse phase, the built-in relay will not turn ON and the contactor will not be energized.
- An open phase when the power is turned ON cannot be detected by the APR-S380 or APR-S440.
- An open phase when the power is turned ON can be prevented when wiring is performed exactly as in the following figure (when wiring is performed so that the phase of the connected contactor coil for turning ON the power supply and the phase of the connected terminal 4 of the APR-S, APR-S380, or APR-S440 are not the same phase).

### Operation Chart

Example: APR-S380



In the figure above, one side of the contactor coil will not be energized if either phase R or phase T is open phase, so the power supply will not turn ON. For open R phase (APR-S terminal 4), the built-in relay of the APR-S will not turn ON, and there will be no conductivity between terminals 5 and 1, so the contactor will not operate, and the power supply will not turn ON. **This protection is for an open phase when the power is turned ON and cannot ensure detection of an open phase when the motor is operating.**

- Incorrect wiring on the magnet contactor load side cannot be detected.
- A phase detection method is used, so usage is not possible with single phase.

ALL DIMENSIONS SHOWN ARE IN MILLIMETERS.

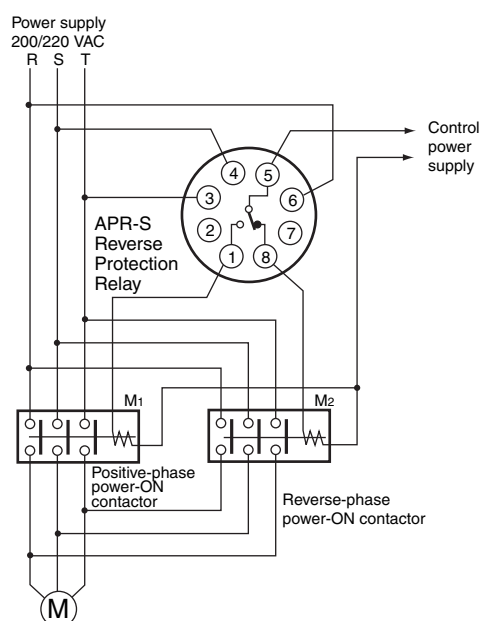
To convert millimeters into inches, multiply by 0.03937. To convert grams into ounces, multiply by 0.03527.

In the interest of product improvement, specifications are subject to change without notice.

## Mounting

- If a back-mounting socket is used for mounting, mount the socket flush from the back of the panel (thickness: 1 to 4 mm) using screws, and insert the APR-S after the socket is sufficiently tightened. Make sure the socket is mounted with the key slot downward.
- If a front-mounting socket is used, mount the socket to the panel using screws, and insert the APR-S after the socket is sufficiently tightened.
- Use a mounting bracket to secure the APR-S reliably and prevent contact faults.

## Example Circuit for Ensuring a Positive Phase Voltage Supply to the Motor



- Suppose the motor revolves in the forward direction when the input terminals 6, 4, and 3 of the APR-S are connected, in this sequence to the power lines, R, S, and T, respectively. If the phase sequence of the power supply applied is the positive sequence, the relay built into the APR-S will turn ON, there will be continuity between terminals 5 and 1, and the positive-phase power-ON contactor will be energized. For reverse phase, the built-in relay will not turn ON, there will be conductivity between terminals 5 to 8, and the reverse-phase power-ON contactor will be energized. In this way, the voltage supplied to the motor will remain positive phase whether the voltage applied is positive phase or reverse phase.
- This circuit cannot be used to switch between forward and reverse motor directions.

### Note

The APR-S requires 100 ms after the voltage has been applied until positive phase and reverse phase are detected. Be sure to allow at least 100 ms to elapse before applying voltage to the control power supply after applying voltage to the APR-S.

## Terms and Conditions Agreement

### Read and understand this catalog.

Please read and understand this catalog before purchasing the products. Please consult your OMRON representative if you have any questions or comments.

### Warranties.

(a) Exclusive Warranty. Omron's exclusive warranty is that the Products will be free from defects in materials and workmanship for a period of twelve months from the date of sale by Omron (or such other period expressed in writing by Omron). Omron disclaims all other warranties, express or implied.

(b) Limitations. OMRON MAKES NO WARRANTY OR REPRESENTATION, EXPRESS OR IMPLIED, ABOUT NON-INFRINGEMENT, MERCHANTABILITY OR FITNESS FOR A PARTICULAR PURPOSE OF THE PRODUCTS. BUYER ACKNOWLEDGES THAT IT ALONE HAS DETERMINED THAT THE PRODUCTS WILL SUITABLY MEET THE REQUIREMENTS OF THEIR INTENDED USE.

Omron further disclaims all warranties and responsibility of any type for claims or expenses based on infringement by the Products or otherwise of any intellectual property right. (c) Buyer Remedy. Omron's sole obligation hereunder shall be, at Omron's election, to (i) replace (in the form originally shipped with Buyer responsible for labor charges for removal or replacement thereof) the non-complying Product, (ii) repair the non-complying Product, or (iii) repay or credit Buyer an amount equal to the purchase price of the non-complying Product; provided that in no event shall Omron be responsible for warranty, repair, indemnity or any other claims or expenses regarding the Products unless Omron's analysis confirms that the Products were properly handled, stored, installed and maintained and not subject to contamination, abuse, misuse or inappropriate modification. Return of any Products by Buyer must be approved in writing by Omron before shipment. Omron Companies shall not be liable for the suitability or unsuitability or the results from the use of Products in combination with any electrical or electronic components, circuits, system assemblies or any other materials or substances or environments. Any advice, recommendations or information given orally or in writing, are not to be construed as an amendment or addition to the above warranty.

See <http://www.omron.com/global/> or contact your Omron representative for published information.

### Limitation on Liability: Etc.

OMRON COMPANIES SHALL NOT BE LIABLE FOR SPECIAL, INDIRECT, INCIDENTAL, OR CONSEQUENTIAL DAMAGES, LOSS OF PROFITS OR PRODUCTION OR COMMERCIAL LOSS IN ANY WAY CONNECTED WITH THE PRODUCTS, WHETHER SUCH CLAIM IS BASED IN CONTRACT, WARRANTY, NEGLIGENCE OR STRICT LIABILITY.

Further, in no event shall liability of Omron Companies exceed the individual price of the Product on which liability is asserted.

### Suitability of Use.

Omron Companies shall not be responsible for conformity with any standards, codes or regulations which apply to the combination of the Product in the Buyer's application or use of the Product. At Buyer's request, Omron will provide applicable third party certification documents identifying ratings and limitations of use which apply to the Product. This information by itself is not sufficient for a complete determination of the suitability of the Product in combination with the end product, machine, system, or other application or use. Buyer shall be solely responsible for determining appropriateness of the particular Product with respect to Buyer's application, product or system. Buyer shall take application responsibility in all cases.

NEVER USE THE PRODUCT FOR AN APPLICATION INVOLVING SERIOUS RISK TO LIFE OR PROPERTY OR IN LARGE QUANTITIES WITHOUT ENSURING THAT THE SYSTEM AS A WHOLE HAS BEEN DESIGNED TO ADDRESS THE RISKS, AND THAT THE OMRON PRODUCT(S) IS PROPERLY RATED AND INSTALLED FOR THE INTENDED USE WITHIN THE OVERALL EQUIPMENT OR SYSTEM.

### Programmable Products.

Omron Companies shall not be responsible for the user's programming of a programmable Product, or any consequence thereof.

### Performance Data.

Data presented in Omron Company websites, catalogs and other materials is provided as a guide for the user in determining suitability and does not constitute a warranty. It may represent the result of Omron's test conditions, and the user must correlate it to actual application requirements. Actual performance is subject to the Omron's Warranty and Limitations of Liability.

### Change in Specifications.

Product specifications and accessories may be changed at any time based on improvements and other reasons. It is our practice to change part numbers when published ratings or features are changed, or when significant construction changes are made. However, some specifications of the Product may be changed without any notice. When in doubt, special part numbers may be assigned to fix or establish key specifications for your application. Please consult with your Omron's representative at any time to confirm actual specifications of purchased Product.

### Errors and Omissions.

Information presented by Omron Companies has been checked and is believed to be accurate; however, no responsibility is assumed for clerical, typographical or proofreading errors or omissions.

# Mouser Electronics

Authorized Distributor

Click to View Pricing, Inventory, Delivery & Lifecycle Information:

[Omron:](#)

[Y92H-1](#) [APR-S](#)



Компания «Life Electronics» занимается поставками электронных компонентов импортного и отечественного производства от производителей и со складов крупных дистрибьюторов Европы, Америки и Азии.

С конца 2013 года компания активно расширяет линейку поставок компонентов по направлению коаксиальный кабель, кварцевые генераторы и конденсаторы (керамические, пленочные, электролитические), за счёт заключения дистрибьюторских договоров

Мы предлагаем:

- Конкурентоспособные цены и скидки постоянным клиентам.
- Специальные условия для постоянных клиентов.
- Подбор аналогов.
- Поставку компонентов в любых объемах, удовлетворяющих вашим потребностям.
- Приемлемые сроки поставки, возможна ускоренная поставка.
- Доставку товара в любую точку России и стран СНГ.
- Комплексную поставку.
- Работу по проектам и поставку образцов.
- Формирование склада под заказчика.
- Сертификаты соответствия на поставляемую продукцию (по желанию клиента).
- Тестирование поставляемой продукции.
- Поставку компонентов, требующих военную и космическую приемку.
- Входной контроль качества.
- Наличие сертификата ISO.

В составе нашей компании организован Конструкторский отдел, призванный помогать разработчикам, и инженерам.

Конструкторский отдел помогает осуществить:

- Регистрацию проекта у производителя компонентов.
- Техническую поддержку проекта.
- Защиту от снятия компонента с производства.
- Оценку стоимости проекта по компонентам.
- Изготовление тестовой платы монтаж и пусконаладочные работы.



Тел: +7 (812) 336 43 04 (многоканальный)  
Email: [org@lifeelectronics.ru](mailto:org@lifeelectronics.ru)