

Falcon F35 & F45 Digital Panel Meters



- 1/8 DIN Indicator
- 3-1/2 or 4-1/2 digit bright red LED display
- Front panel pops off for easy decimal point setting and display scaling
- Only 3.12" (79mm) required behind panel
- Optional excitation output
- NEMA 4X enclosure optional
- Din Rail Adapter available (page C1)

Mounting Requirements

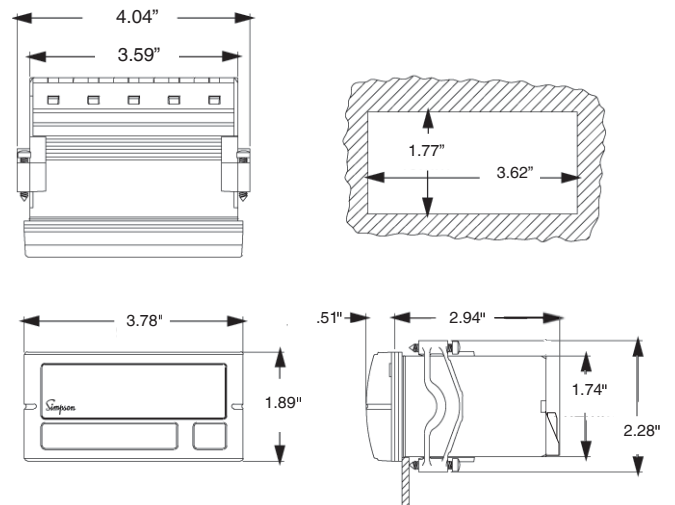
The Falcon series 1/8 DIN indicators require a panel cutout of 1.77" (45mm) high by 3.62" (92mm) wide. To install the Falcon into a panel cutout, remove the clips from the side of the meter. Slide the meter through your panel cutout, then slide the mounting clips back on the meter. Press evenly to ensure a proper fit. Tighten screws.



Specifications

| | |
|----------------------------------|---|
| DISPLAY | |
| Type | 7-segment, red LED |
| Height | 0.56" (14.2mm) |
| Decimal Point | user-programmable, internally or on the terminal block most significant digit = "1"; other digits blank |
| Overrange indication | |
| Polarity | Automatic, with "-" indication, "+" indication implied |
| POWER REQUIREMENTS | |
| AC Voltages | 120 or 220VAC, ±10% 50/60Hz |
| DC Voltages | 9-32DCV, ±1% |
| Power Consumption | F35: 3VA, F45: 2VA |
| ISOLATION | 250V RMS MAX |
| ACCURACY @25°C | |
| F45 DC Process/Voltage | ±0.02% of reading ± 1 count |
| F35 DC Process/Voltage | ±0.1% of reading ± 1 count |
| F45 DC Current | ±0.05% of reading ±1 count 2A ± 5 counts 5A ± 5 counts |
| F35 DC Current | ±0.1% of reading ± 1 count 2A ± 5 counts, 5A ± 5 counts |
| F45 AC Voltage/Current | ±0.5% of reading ± 35 counts |
| F35 AC Voltage/Current | ±1% of reading ± 5 counts (45Hz-1KHz) |
| ENVIRONMENTAL | |
| Operating Temperature | 0 to 55°C |
| Storage Temperature | -10 to 60°C |
| Relative Humidity | 0 to 85% non-condensing |
| Warm-up Time | Less than 15 minutes |
| NOISE REJECTION | |
| NMRR | F35=50dB, 50/60Hz; F45=60dB, 50/60Hz |
| CMRR | (w/1KΩ unbalanced @ 60Hz) 90dB min. |
| A TO D CONVERSION | |
| Technique | Dual slope integration |
| Rate | F35=3 samples per second, nominal; F45=2.5 samples per second, nominal |
| MECHANICAL | |
| Bezel | 3.78" x 1.89" x .51" |
| Depth | 2.94" |
| Panel Cutout | 3.62" X 1.77" |
| Case Material | 94V-1, UL rated Noryl® |
| Weight | 9.0oz (255.1g) |
| Temperature Coefficient | |
| F35 AC/TRMS (Voltage/Current) | (±0.1% ± 0.5 count)/°C |
| F35 DC (Voltage/Current/Process) | (±0.01% ± 0.05 count)/°C |
| F45 AC (Voltage/Current) | (±0.05% ± 0.5 count)/°C |
| F45 DC Current | (±0.01% ± 0.1 count)/°C |
| F45 DC (Voltage/Process) | (±0.05% ± 0.1 count)/°C |

Dimensions



more >>



Falcon F35 & F45 Digital Panel Meters

A
8

Specifications for F35 Frequency Meters

DISPLAY

Type 7-segment, red LED
Height 0.56" (14.2mm)

Overrange indication Most significant digit = "1"; other digits blank

POWER REQUIREMENTS

AC Voltages 120 or 220VAC, ±10% 50/60Hz
Power Consumption 2.5VA min./4VA max.

ACCURACY @25°C

200 Hz: ±0.2% of input ±0.2 Hz
2 KHz: ±0.2% of input ± 2Hz

INPUT LEVEL

500mV to 250V RMS at 1.0MΩ impedance OR 5V to 24V Square Wave (DC offset 2V maximum)

Resolution: 200Hz = 0.1Hz
2kHz = 1Hz

ENVIRONMENTAL

Operating Temperature 0 to 55°C
Storage Temperature -10 to 60°C
Relative Humidity 0 to 85% non-condensing @ 40°C
Temperature Coefficient (±0.05% of input ± 0.5 count)/°C
Warm-up Time Less than 15 minutes

CONVERSION

Technique Frequency-to-voltage
Rate 3 samples per second, nominal

Specifications for F45 Temperature Meters

DISPLAY

Type 7-segment, red LED
Height 0.56" (14.2mm)
Decimal Point Jumper-selectable 2-position (corresponding to resolution desired)

Overrange indication Most significant digit = "1"; other digits blank

Polarity Automatic, with "-" indication, "+" indication implied

POWER REQUIREMENTS

AC Voltages 120 or 220 ACV, ±10% 50/60Hz
DC Voltages 9-32 DCV, ±1%
Power Consumption 3VA

ENVIRONMENTAL

Operating Temperature 0 to 55°C
Storage Temperature -10 to 60°C
Relative Humidity 0 to 85% non-condensing
Warm-up Time Less than 20 minutes

INPUTS

Thermocouple J, K, E, T, R, and S
RTD Platinum 100 (.00385 alpha), 2, 3 or 4 wire
Millivolt ±84mV reading of uncompensated mV
Input Impedance 7MΩ (typical)
Conversion Rate 2-1/2 times per second
Open Thermocouple Detection -1 on display, -40nA bias on thermocouple

| Temperature | | | |
|-------------|------------------------|--|------------------------------------|
| Sensor Type | Temperature Range | Accuracy | Resolution |
| E | -200 to 1000°C | ±0.1% of rdg ± 1°C ±0.1% of rdg ± 1.8°F | 0.1 or 1 Degree User Selectable |
| | -328 to 1832°F | | |
| J | -200 to 1200°C | | |
| | -328 to 2192°F | | |
| K | -200 to 1372°C | | |
| | -328 to 2501°F | | |
| T | -200 to 400°C | | |
| | -328 to 752°F | | |
| RTD Pt 100 | -200 to 850°C | | |
| | -328 to 1562°F | | |
| R, S | -50 to 1768°C | 1 Degree Automatic | |
| | -58 to 3214°F | | |
| mV | Voltage Range | ±0.02% of rdg ± 1 count | 0.01 mV |
| | ±84.00mV | | |
| mV | Voltage Range | ±0.02% of rdg ± 1 count | 0.001mV |
| | -19.999mV to +84.000mV | | |

Inputs

| DC Voltage | | | | | |
|------------|------------|-----------------|------------|-----------------|---------------------|
| Range | F35 | | F45 | | Max Input (Unfused) |
| | Resolution | Input Impedance | Resolution | Input Impedance | |
| 200mV | 100uV | >100MEG | 10uV | >100MEG | 100V |
| 2V | 1mV | >10MEG | 100uV | >10MEG | 250V |
| 20V | 10mV | >10MEG | 1mV | >9.9MEG | 250V |
| 200V | 100mV | >9.9MEG | 10mV | >9.8MEG | 250V |

| AC TRMS Voltage | | | | | |
|-----------------|------------|-----------------|------------|-----------------|---------------------|
| Range | F35 | | F45 | | Max Input (Unfused) |
| | Resolution | Input Impedance | Resolution | Input Impedance | |
| 200mV | 100uV | >100MEG | 10uV | >100MEG | 100V |
| 2V | 1mV | >1MEG | 100uV | >1MEG | 250V |
| 20V | 10mV | >10MEG | 1mV | >1MEG | 250V |
| 200V | 100mV | >9.9MEG | 10mV | >1MEG | 250V |

| DC / AC TRMS Current | | | | |
|----------------------|------------|-------|--------------|---------------------|
| Range | Resolution | | Voltage Drop | Max Input (Unfused) |
| | F35 | F45 | | |
| 200uA | 100nA | 10nA | 200mV | 10mA |
| 2mA | 1uA | 100nA | | 40mA |
| 20mA | 10uA | 1uA | | 100mA |
| 200mA | 100uA | 10uA | | 500mA |
| 2A | 1mA | 100uA | | 2.2A |
| 5A | 10mA | 1mA | | 5.2A |

| DC Process | | | | | |
|------------|------------|-----------------|------------|-----------------|---------------------|
| Range | F35 | | F45 | | Max Input (Unfused) |
| | Resolution | Input Impedance | Resolution | Input Impedance | |
| 4 to 20mA | 10uA | NA | 1uA | NA | 200mV |
| 1 to 5Vdc | 10mV | >10MEG | 1mV | >9.9MEG | NA |
| 0 to 10Vdc | 10mV | >10MEG | 1mV | >9.9MEG | NA |

Falcon F35 & F45 Digital Panel Meters



Ordering Information

Falcon Indicators can be configured by making an entry in each section. Example: F35-1-52-0.



| Selection | Description | Selection | Description |
|-----------------------|-----------------|---|----------------------------|
| Basic Unit | | Function/Range cont'd | |
| F35 | 3 1/2 digit LED | 61 | 200 AC μ A TRMS • |
| F45 | 4 1/2 digit LED | 62 | 2 ACmA TRMS • |
| Power Supply | | 63 | 20 ACmA TRMS • |
| 1 | 120 ACV | 64 | 200 ACmA TRMS • |
| 2 | 220 ACV | 65 | 2 ACA TRMS • |
| 3 | 9-32 DCV† | 66 | 5 ACA TRMS • |
| Function/Range | | 71 | 4-20 DCmA Process |
| 11 | 200 DCmV | 72 | 1-5 DCV Process |
| 12 | 2 DCV | 73 | 0-10 DCV Process |
| 13 | 20 DCV | 80 (F45) | J T/C |
| 14 | 200 DCV | 81 (F45) | K T/C |
| 21 | 200 DQ μ A | 82 (F45) | S T/C |
| 22 | 2 DCmA | 83 (F45) | T T/C |
| 23 | 20 DCmA | 84 (F45) | E T/C |
| 24 | 200 DCmA | 85 (F45) | R T/C |
| 25 | 2 DCA | 86 (F45) | DCmV |
| 26 | 5 DCA | 90 (F45) | RTD Pt100 Ohm |
| 31 | 200 ACmV | 91 (F35) | 20-199.9 Hz RMS |
| 32 | 2 ACV | 92 (F35) | 20-1999 Hz RMS |
| 33 | 20 ACV | 93 (F35) | 20-199.9 Hz Sq. Wave |
| 34 | 200 ACV | 94 (F35) | 20-1999 Hz Sq. Wave |
| 41 | 200 AQ μ A | Excitation Output | |
| 42 | 2 ACmA | (not available with AC, temperature, or frequency inputs) | |
| 43 | 20 ACmA | 0 | None |
| 44 | 200 AC mA | 1 | 12 DCV @ 25mA max. current |
| 45 | 2 ACA | 2 | 24 DCV @ 25mA max. current |
| 46 | 5 ACA | Display Scaling | |
| 51 | 200 ACmV TRMS • | (Temperature units only) | |
| 52 | 2 ACV TRMS • | C | °C |
| 53 | 20 ACV TRMS • | F | °F |
| 54 | 200 ACV TRMS • | | |

† Not available for use with frequency meters

• Only available with F35

Компания «Life Electronics» занимается поставками электронных компонентов импортного и отечественного производства от производителей и со складов крупных дистрибьюторов Европы, Америки и Азии.

С конца 2013 года компания активно расширяет линейку поставок компонентов по направлению коаксиальный кабель, кварцевые генераторы и конденсаторы (керамические, пленочные, электролитические), за счёт заключения дистрибьюторских договоров

Мы предлагаем:

- Конкурентоспособные цены и скидки постоянным клиентам.
- Специальные условия для постоянных клиентов.
- Подбор аналогов.
- Поставку компонентов в любых объемах, удовлетворяющих вашим потребностям.
- Приемлемые сроки поставки, возможна ускоренная поставка.
- Доставку товара в любую точку России и стран СНГ.
- Комплексную поставку.
- Работу по проектам и поставку образцов.
- Формирование склада под заказчика.
- Сертификаты соответствия на поставляемую продукцию (по желанию клиента).
- Тестирование поставляемой продукции.
- Поставку компонентов, требующих военную и космическую приемку.
- Входной контроль качества.
- Наличие сертификата ISO.

В составе нашей компании организован Конструкторский отдел, призванный помогать разработчикам, и инженерам.

Конструкторский отдел помогает осуществить:

- Регистрацию проекта у производителя компонентов.
- Техническую поддержку проекта.
- Защиту от снятия компонента с производства.
- Оценку стоимости проекта по компонентам.
- Изготовление тестовой платы монтаж и пусконаладочные работы.



Тел: +7 (812) 336 43 04 (многоканальный)

Email: org@lifeelectronics.ru