

Watchdog Timeout Period Externally Adjustable Voltage Detector

■ GENERAL DESCRIPTION

The XC6130/XC6131 series are voltage detectors with a watchdog function. The watchdog timeout time and release delay time can be set as desired using a single external capacitor. These voltage detectors are used for microprocessor monitoring, and when the power voltage reaches the detect voltage or an L→H pulse is not input to the watchdog pin within the watchdog timeout time, an L level signal is output from the RESETB pin.

The XC6130 series has a manual reset function. When the manual reset pin is set to Low level at any desired timing, an L level signal is output from the RESETB pin.

The XC6131 series has a watchdog ON/OFF function. By setting the EN pin to L level, the watchdog function can be turned OFF while the voltage detector that monitors the power voltage continues to operate.

The MRB pin and EN pin are pulled up internally to V_{IN} , and thus these pins can be left open when not used.

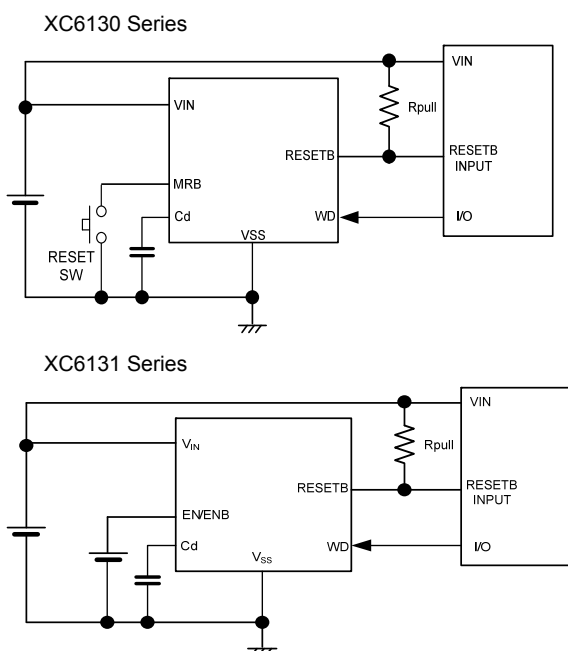
■ APPLICATIONS

- Microprocessor reset and malfunction monitoring circuitry
- Memory battery backup circuits
- Power-on reset circuits
- Power failure detection

■ FEATURES

| | |
|--------------------------------------|--|
| Operating Ambient Temperature | : -40°C ~ +125°C |
| Operating Voltage Range | : 1.5V ~ 6.0V |
| Detect Voltage Range | : 1.6V ~ 5.0V ($\pm 1.0\%$) |
| Hysteresis Width | : $V_{DFL} \times 5\%$ |
| Temperature Characteristics | : $\pm 50\text{ppm}/^\circ\text{C}$ |
| Output Configuration | : N-channel open drain output |
| Low Power Consumption | : 8.1 μA Detect 9.8 μA Release 2.5 μA Release (EN=L) |
| Function | : Manual Reset (XC6130) : Watchdog function OFF (XC6131) |
| WD Timeout Time | : 100ms (Cd=0.1 μF) |
| Release Delay Time | : 100ms (Cd=0.1 μF) (at power on) 10ms (Cd=0.1 μF) (After Watchdog Timeout) |
| Package | : SOT-26 |
| Environmentally Friendly | : EU RoHS compliant, Pb free |

■ TYPICAL APPLICATION CIRCUIT



■ TYPICAL PERFORMANCE CHARACTERISTICS



* The above values do not include the current that flows to the EN pull-up resistance.

XC6130/XC6131 Series

■ BLOCK DIAGRAM

● XC6130 Series Type A



● XC6131 Series Type A



* Diodes inside the circuit are an ESD protection diode and a parasitic diode.

■ BLOCK DIAGRAM

● XC6131 Series Type B



* Diodes inside the circuit are an ESD protection diode and a parasitic diode.

■ PRODUCT CLASSIFICATION

● Ordering Information

XC6130①②③④⑤⑥-⑦

| DESIGNATOR | ITEM | SYMBOL | DESCRIPTION |
|------------|----------------------|--------|-------------------------------|
| ① | TYPE | A | MRB pin With pull-up resistor |
| ②③ | Detect Voltage | 16~50 | e.g. 1.6V → ②=1, ③=6 |
| ④ | Detect Accuracy | 1 | ±1.0% |
| ⑤⑥-⑦ (*1) | Package (Order Unit) | MR-G | SOT-26 (3000pcs/Reel)(*2) |

(*1) The "-G" suffix denotes Halogen and Antimony free as well as being fully EU RoHS compliant.

(*2) The SOT-26 reels are shipped in a moisture-proof packing.

XC6131①②③④⑤⑥-⑦

| DESIGNATOR | ITEM | SYMBOL | DESCRIPTION |
|------------|----------------------|--------|---------------------------------|
| ① | TYPE | A | EN pin With pull up resistor |
| | | B | ENB pin With pull down resistor |
| ②③ | Detect Voltage | 16~50 | e.g. 1.6V → ②=1, ③=6 |
| ④ | Detect Accuracy | 1 | ±1.0% |
| ⑤⑥-⑦ (*1) | Package (Order Unit) | MR-G | SOT-26 (3000pcs/Reel)(*2) |

(*1) The "-G" suffix denotes Halogen and Antimony free as well as being fully EU RoHS compliant.

(*2) The SOT-26 reels are shipped in a moisture-proof packing.

]

■ PIN CONFIGURATION



SOT-26
(TOP VIEW)

XC6130 series



SOT-26
(TOP VIEW)

XC6131 series

■ PIN ASSIGNMENT

XC6130 Series

| PIN NUMBER | PIN NAME | FUNCTIONS |
|------------|-----------------|--|
| SOT-26 | | |
| 1 | WD | Watchdog Input |
| 2 | MRB | Manual Reset Input |
| 3 | V _{IN} | Power Input |
| 4 | RESETB | Reset Output |
| 5 | V _{SS} | Ground |
| 6 | Cd | Adjustable Pin for Release Delay Time/Watchdog Timeout |

XC6131 Series

| PIN NUMBER | PIN NAME | FUNCTIONS |
|------------|-----------------|--|
| SOT-26 | | |
| 1 | WD | Watchdog Input |
| 2 | EN | Watchdog ON/OFF Control (XC6131A) |
| | ENB | Watchdog ON/OFF Control (XC6131B) |
| 3 | V _{IN} | Power Input |
| 4 | RESETB | Reset Output |
| 5 | V _{SS} | Ground |
| 6 | Cd | Adjustable Pin for Release Delay Time/Watchdog Timeout |

FUNCTION CHART

1) XC6130 Series

| V_{IN}^{*2} | V_{MRB}^{*3} | V_{WD}^{*6} | V_{RESETB}^{*7} |
|---------------|----------------|---------------|-------------------|
| H | H | H | L↔H |
| | | L | |
| | | OPEN | |
| | | L↔H | H |
| H | L | *1 | L |
| L | L | | |
| H | L | | |

2) XC6131A Series

| V_{IN}^{*2} | V_{EN}^{*4} | V_{WD}^{*6} | V_{RESETB}^{*7} |
|---------------|---------------|---------------|-------------------|
| H | H | H | L↔H |
| | | L | |
| | | OPEN | |
| | | L↔H | H |
| H | L | *1 | H |
| L | L | | |
| H | L | | |

3) XC6131B Series

| V_{IN}^{*2} | V_{ENB}^{*5} | V_{WD}^{*6} | V_{RESETB}^{*7} |
|---------------|----------------|---------------|-------------------|
| H | L | H | L↔H |
| | | L | |
| | | OPEN | |
| | | L↔H | H |
| H | H | *1 | H |
| L | L | | |
| H | L | | |

*1: Includes all WD logic (VWD=H, L, OPEN, H→L, L→H)

*2: $V_{IN}=H$ indicates higher than the release voltage.

$V_{IN}=L$ indicates lower than the detect voltage.

*3: $V_{MRB}=H$ indicates MRB High Level Voltage.

$V_{MRB}=L$ indicates MRB Low Level Voltage.

Since MRB pin of XC6130 Series is pulled up internally, the open condition of MRB pin is acceptable when MR function is not required.

*4: $V_{EN}=H$ indicates EN High Level Voltage.

$V_{EN}=L$ indicates EN Low Level Voltage.

The EN pin of the XC6131A Series is pulled up internally, enabling the WD function to be used with EN open.

*5: $V_{ENB}=H$ indicates ENB High Level Voltage.

$V_{ENB}=L$ indicates ENB Low Level Voltage.

The ENB pin of the XC6131B Series is pulled down internally, enabling the WD function to be used with ENB open.

*6: $V_{WD}=H$ indicates WD High Level Voltage.

$V_{WD}=L$ indicates WD Low Level Voltage.

*7: $V_{RESETB}=H$ indicates the release state.

$V_{RESETB}=L$ indicates the detect state.

■ ABSOLUTE MAXIMUM RATINGS

XC6130 Series

Ta=25°C

| PARAMETER | | SYMBOL | RATINGS | UNITS |
|-------------------------------|--------|---------------------|---|-------|
| Input Voltage | | V _{IN} | -0.3~+7.0 | V |
| WD Input Voltage | | V _{WD} | -0.3~+7.0 | V |
| MRB Input Voltage | | V _{MRB} | -0.3~+7.0 | V |
| Cd Pin Voltage | | V _{Cd} | -0.3~+V _{IN} +0.3 or +7.0 ^(*) | V |
| Output Voltage | | V _{RESETB} | -0.3~+7.0 | V |
| Cd Pin Current | | I _{Cd} | 10 | mA |
| Output Current | | I _{OUT} | 30 | mA |
| Power Dissipation | SOT-26 | P _d | 250 | mW |
| Operating Ambient Temperature | | T _{opr} | -40~+125 | °C |
| Storage Temperature | | T _{stg} | -55~+125 | °C |

All voltages are described based on the V_{SS} pin.

(*) The maximum value should be V_{IN}+0.3 or +7.0 in the lowest.

XC6131 Series

Ta=25°C

| PARAMETER | | SYMBOL | RATINGS | UNITS |
|-------------------------------|--------|-----------------------------------|---|-------|
| Input Voltage | | V _{IN} | -0.3~+7.0 | V |
| WD Input Voltage | | V _{WD} | -0.3~+7.0 | V |
| EN/ENB Input Voltage | | V _{EN} /V _{ENB} | -0.3~+7.0 | V |
| Cd Pin Voltage | | V _{Cd} | -0.3~+V _{IN} +0.3 or +7.0 ^(*) | V |
| Output Voltage | | V _{RESETB} | -0.3~+7.0 | V |
| Cd Pin Current | | I _{Cd} | 10 | mA |
| Output Current | | I _{OUT} | 30 | mA |
| Power Dissipation | SOT-26 | P _d | 250 | mW |
| Operating Ambient Temperature | | T _{opr} | -40~+125 | °C |
| Storage Temperature | | T _{stg} | -55~+125 | °C |

All voltages are described based on the V_{SS} pin.

(*) The maximum value should be V_{IN}+0.3 or +7.0 in the lowest.

ELECTRICAL CHARACTERISTICS

XC6130 Series

| PARAMETER | SYMBOL | CONDITIONS | Ta=25°C | | | -40°C ≤ Ta ≤ 125°C ⁽⁹⁾ | | | UNITS | CIRCUIT | |
|--|---|--|--------------------------------------|---------------------------|-----------------------------|-----------------------------------|---------------------------|------------------------------|--------|---------|---|
| | | | MIN. | TYP. | MAX. | MIN. | TYP. | MAX. | | | |
| Operating Voltage | V _{IN} | | 1.5 | - | 6.0 | 1.5 | - | 6.0 | V | ① | |
| Detect Voltage | V _{DFL} | V _{DF(T)} ⁽¹⁾ =1.6~5.0V | V _{DF(T)} ×0.99 | V _{DF(T)} | V _{DF(T)} ×1.01 | V _{DF(T)} ×0.975 | V _{DF(T)} | V _{DF(T)} ×1.025 | V | | |
| Temperature Characteristics | $\frac{\Delta V_{DFL}}{(\Delta T_{opr} \cdot V_{DFL})}$ | -40°C ≤ Topr ≤ 125°C | - | ±50 | - | - | ±50 | - | ppm/°C | | |
| Hysteresis Width | V _{HYS} | | V _{DFL} ×0.04 | V _{DFL} ×0.05 | V _{DFL} ×0.06 | V _{DFL} ×0.03 | V _{DFL} ×0.05 | V _{DFL} ×0.07 | V | | |
| Supply Current | I _{SS} | V _{IN} =V _{DF(T)} × 0.9V | - | 8.1 | 12.1 | - | 8.1 | 14.0 | μA | ② | |
| | | V _{IN} =V _{DF(T)} × 1.1V | - | 9.8 | 12.6 | - | 9.8 | 13.6 | | | |
| Output Current | I _{RBOU} T | N-ch. V _{RESE} TB=0.3V | V _{IN} =1.5V | 2.6 | 3.5 | - | 1.4 | 3.5 | - | mA | ③ |
| | | | V _{IN} =2.0V ⁽²⁾ | 4.9 | 6.0 | - | 3.0 | 6.0 | - | | |
| | | | V _{IN} =3.0V ⁽³⁾ | 9.2 | 10.3 | - | 5.8 | 10.3 | - | | |
| | | | V _{IN} =4.0V ⁽⁴⁾ | 12.3 | 13.8 | - | 7.7 | 13.8 | - | | |
| Leak Current | I _{Leak} | V _{IN} =6.0V, V _{RESE} TB=6.0 | - | 0.01 | 0.1 | - | 0.01 | 1 | μA | ④ | |
| Cd Pin Sink Current | I _{cd} | V _{IN} =1.5V, V _{Cd} =0.7V | 530 | 770 | - | 295 | 770 | - | | | |
| Release Delay Time1 ⁽⁵⁾ | t _{DR1} | V _{IN} =1.5V → V _{DF(T)} × 1.1V, Cd=0.01μF | 8.5 | 10.0 | 11.5 | 7 | 10.0 | 12 | ms | ⑤ | |
| Release Delay Time2 ⁽⁶⁾ | t _{DR2} | V _{IN} =V _{DF(T)} × 1.1V, Cd=0.01μF | 0.85 | 1.0 | 1.15 | 0.7 | 1.0 | 1.2 | | | |
| Watchdog Timeout Period ⁽⁷⁾ | t _{WD} | V _{IN} =V _{DF(T)} × 1.1V, Cd=0.01μF, WD=V _{SS} | 8.5 | 10.0 | 11.5 | 7 | 10.0 | 12 | | | |
| Detect Delay Time ⁽⁸⁾ | t _{DF} | V _{IN} =V _{DF(T)} × 1.1V → 1.5V, Cd=0.01μF | - | 10.0 | 50 | - | 10.0 | 100 | μs | | |
| Watchdog Minimum Pulse Width | t _{WDIN} | V _{IN} =6.0V, Apply pulse from 6.0V to 0V to the WD pin. | 100 | - | - | 100 | - | - | ns | ⑥ | |
| Watchdog High Level Voltage | V _{WDH} | V _{IN} =V _{DF(T)} × 1.1V → 6.0V | V _{IN} × 0.7 | - | 6 | V _{IN} × 0.7 | - | 6 | V | | |
| Watchdog Low Level Voltage | V _{WDL} | V _{IN} =V _{DF(T)} × 1.1V → 6.0V | 0 | - | V _{IN} × 0.3 | 0 | - | V _{IN} × 0.3 | V | | |
| Watchdog Pull-down Resistance | R _{WD} | V _{WD} =6.0V, R _{WD} =V _{WD} /I _{WD} | 280 | 550 | 1100 | 220 | 550 | 1350 | kΩ | ⑦ | |
| MRB High Level Voltage | V _{MRH} | V _{IN} =V _{DF(T)} × 1.1V ~ 6.0V | 1.3 | - | V _{IN} | 1.3 | - | V _{IN} | V | ⑧ | |
| MRB Low Level Voltage | V _{MRL} | | 0 | - | 0.45 | 0 | - | 0.45 | V | | |
| MRB Pull-up Resistance | R _{MR} | V _{IN} =6.0V, V _{MRB} =0V, R _{MR} =V _{IN} /I _{MRB} | 300 | 800 | 1200 | 230 | 800 | 1420 | kΩ | ⑨ | |
| MRB Minimum Pulse Width | t _{MRIN} | V _{IN} =6.0V, Apply pulse from 6.0V to 0V to the MRB pin. | 1.0 | - | - | 1.0 | - | - | μs | ⑩ | |

NOTE:

*The WD pin and MRB pin are open unless otherwise specified in the measurement conditions.

⁽¹⁾ V_{DF(T)}: Nominal detect voltage

⁽²⁾ For V_{DF(T)} > 2.0V products only.

⁽³⁾ For V_{DF(T)} > 3.0V products only.

⁽⁴⁾ For V_{DF(T)} > 4.0V products only.

⁽⁵⁾ Until time when RESETB pin shows release status after V_{IN} reached the release voltage.

Release voltage (V_{DR}) = Detect voltage (V_{DFL}) + Hysteresis width (V_{HYS})

⁽⁶⁾ The time to change the status of RESETB pin from the detect-status after the watchdog-timeout happens with the condition of WD=V_{SS}.

⁽⁷⁾ The time to change the status of RESETB pin from the release-status to the detect-status with the condition of WD=V_{SS}.

⁽⁸⁾ When V_{IN} is changed during watchdog timeout time, until time when RESETB pin shows detect status after V_{IN} reached the detect voltage.

⁽⁹⁾ The ambient temperature range (-40°C ≤ Ta ≤ 125°C) is design Value.

ELECTRICAL CHARACTERISTICS (Continued)

XC6131A Series

| PARAMETER | SYMBOL | CONDITIONS | Ta=25°C | | | -40°C ≤ Ta ≤ 125°C ⁽¹⁰⁾ | | | UNITS | CIRCUIT | |
|--|---|---|--------------------------------------|---------------------------|-----------------------------|------------------------------------|---------------------------|------------------------------|--------|---------|------|
| | | | MIN. | TYP. | MAX. | MIN. | TYP. | MAX. | | | |
| Operating Voltage | V _{IN} | | 1.5 | - | 6.0 | 1.5 | - | 6.0 | V | ① | |
| Detect Voltage | V _{DFL} | V _{DF(T)} ⁽¹⁾ =1.6~5.0V | V _{DF(T)} ×0.99 | V _{DF(T)} | V _{DF(T)} ×1.01 | V _{DF(T)} ×0.975 | V _{DF(T)} | V _{DF(T)} ×1.025 | V | | |
| Temperature Characteristics | $\frac{\Delta V_{DFL}}{(\Delta T_{opr} \cdot V_{DFL})}$ | -40°C ≤ T _{opr} ≤ 125°C | - | ±50 | - | - | ±50 | - | ppm/°C | | |
| Hysteresis Width | V _{HYS} | | V _{DFL} ×0.04 | V _{DFL} ×0.05 | V _{DFL} ×0.06 | V _{DFL} ×0.03 | V _{DFL} ×0.05 | V _{DFL} ×0.07 | V | | |
| Supply Current | I _{SS} | V _{IN} =V _{DF(T)} × 0.9V | - | 8.1 | 12.1 | - | 8.1 | 14.0 | μA | ② | |
| | | V _{IN} =V _{DF(T)} × 1.1V | EN=L ⁽²⁾ | - | 2.5 | 3.5 | - | 2.5 | | | 5.0 |
| | | | EN=H | - | 9.8 | 12.6 | - | 9.8 | | | 13.6 |
| Output Current | I _{RBOU} T | N-ch. V _{RESE} TB=0.3V | V _{IN} =1.5V | 2.6 | 3.5 | - | 1.4 | 3.5 | mA | ③ | |
| | | | V _{IN} =2.0V ⁽²⁾ | 4.9 | 6.0 | - | 3.0 | 6.0 | | | - |
| | | | V _{IN} =3.0V ⁽³⁾ | 9.2 | 10.3 | - | 5.8 | 10.3 | | | - |
| | | | V _{IN} =4.0V ⁽⁴⁾ | 12.3 | 13.8 | - | 7.7 | 13.8 | | | - |
| Leakage Current | I _{Leak} | V _{IN} =6.0V, V _{RESE} TB=6.0V | - | 0.01 | 0.1 | - | 0.01 | - | μA | ④ | |
| Cd Pin Sink Current | I _{cd} | V _{IN} =1.5V, V _{Cd} =0.7V | 530 | 770 | - | 295 | 770 | - | μA | ⑤ | |
| Release Delay Time1 ⁽⁶⁾ | t _{DR1} | V _{IN} =1.5V → V _{DF(T)} × 1.1V, Cd=0.01μF | 8.5 | 10.0 | 11.5 | 7 | 10.0 | 12 | ms | | |
| Release Delay Time2 ⁽⁷⁾ | t _{DR2} | V _{IN} =V _{DF(T)} × 1.1V, Cd=0.01μF | 0.85 | 1.0 | 1.15 | 0.7 | 1.0 | 1.2 | | | |
| Watchdog Timeout Period ⁽⁸⁾ | t _{WD} | V _{IN} =V _{DF(T)} × 1.1V, Cd=0.01μF, WD=V _{SS} | 8.5 | 10.0 | 11.5 | 7 | 10.0 | 12 | | | |
| Detect Delay Time ⁽⁹⁾ | t _{DF} | V _{IN} =V _{DF(T)} × 1.1V → 1.5V, Cd=0.01μF | - | 10.0 | 50 | - | 10.0 | 100 | μs | | |
| Watchdog Minimum Pulse Width | t _{WDIN} | V _{IN} =6.0V, Apply pulse from 6.0V to 0V to the WD pin. | 100 | - | - | 100 | - | - | ns | ⑥ | |
| Watchdog High Level Voltage | V _{WDH} | V _{DF(T)} × 1.1V ≤ V _{IN} ≤ 6.0V | V _{IN} × 0.7 | - | 6 | V _{IN} × 0.7 | - | 6 | V | | |
| Watchdog Low Level Voltage | V _{WDL} | V _{DF(T)} × 1.1V ≤ V _{IN} ≤ 6.0V | 0 | - | V _{IN} × 0.3 | 0 | - | V _{IN} × 0.3 | V | | |
| Watchdog Pull-down Resistance | R _{WD} | V _{WD} =6.0V, R _{WD} =V _{WD} /I _{WD} | 280 | 550 | 1100 | 220 | 550 | 1350 | kΩ | ⑦ | |
| EN High Level Voltage | V _{ENH} | V _{IN} =V _{DF(T)} × 1.1V ~ 6.0V | 1.3 | - | V _{IN} | 1.3 | - | V _{IN} | V | ⑧ | |
| EN Low Level Voltage | V _{ENL} | | 0 | - | 0.45 | 0 | - | 0.45 | V | ⑨ | |
| EN Pull-up Resistance | R _{EN} | V _{IN} =6.0V, V _{EN} =0V, R _{EN} =V _{IN} /I _{EN} | 300 | 800 | 1200 | 230 | 800 | 1420 | kΩ | | |

NOTE:

* The WD pin and EN pin are open unless otherwise specified in the measurement conditions.

⁽¹⁾ V_{DF(T)}: Nominal detect voltage

⁽²⁾ Excludes the current that flows to EN pull-up resistance when EN = L.

⁽³⁾ For V_{DF(T)} > 2.0V products only.

⁽⁴⁾ For V_{DF(T)} > 3.0V products only.

⁽⁵⁾ For V_{DF(T)} > 4.0V products only.

⁽⁶⁾ Until time when RESETB pin shows release status after V_{IN} reached the release voltage.

Release voltage (V_{DR}) = Detect voltage (V_{DFL}) + Hysteresis width (V_{HYS})

⁽⁷⁾ The time to change the status of RESETB pin from the detect-status after the watchdog-timeout happens with the condition of WD=V_{SS}.

⁽⁸⁾ The time to change the status of RESETB pin from the release-status to the detect-status with the condition of WD=V_{SS}.

⁽⁹⁾ When V_{IN} is changed during watchdog timeout time, until time when RESETB pin shows detect status after V_{IN} reached the detect voltage.

⁽¹⁰⁾ The ambient temperature range (-40°C ≤ Ta ≤ 125°C) is design Value.

ELECTRICAL CHARACTERISTICS (Continued)

XC6131B Series

| PARAMETER | SYMBOL | CONDITIONS | Ta=25°C | | | -40°C ≤ Ta ≤ 125°C ⁽¹⁰⁾ | | | UNITS | CIRCUIT | |
|--|---|--|--------------------------------------|---------------------------|-----------------------------|------------------------------------|---------------------------|------------------------------|----------|---------|------|
| | | | MIN. | TYP. | MAX. | MIN. | TYP. | MAX. | | | |
| Operating Voltage | V _{IN} | | 1.5 | - | 6.0 | 1.5 | - | 6.0 | V | ① | |
| Detect Voltage | V _{DFL} | V _{DF(T)} ⁽¹⁾ =1.6~5.0V | V _{DF(T)} ×0.99 | V _{DF(T)} | V _{DF(T)} ×1.01 | V _{DF(T)} ×0.975 | V _{DF(T)} | V _{DF(T)} ×1.025 | V | | |
| Temperature Characteristics | $\frac{\Delta V_{DFL}}{(\Delta T_{opr} \cdot V_{DFL})}$ | -40°C ≤ T _{opr} ≤ 125°C | - | ±50 | - | - | ±50 | - | ppm / °C | | |
| Hysteresis Width | V _{HYS} | | V _{DFL} ×0.04 | V _{DFL} ×0.05 | V _{DFL} ×0.06 | V _{DFL} ×0.03 | V _{DFL} ×0.05 | V _{DFL} ×0.07 | V | | |
| Supply Current | I _{SS} | V _{IN} =V _{DF(T)} × 0.9V | - | 8.1 | 12.1 | - | 8.1 | 14.0 | μA | ② | |
| | | V _{IN} =V _{DF(T)} × 1.1V | ENB=H ⁽²⁾ | - | 2.5 | 3.5 | - | 2.5 | | | 5.0 |
| | | | ENB=L | - | 9.8 | 12.6 | - | 9.8 | | | 13.6 |
| Output Current | I _{RBOUT} | N-ch. V _{RESETB} =0.3V | V _{IN} =1.5V | 2.6 | 3.5 | - | 1.4 | 3.5 | mA | ③ | |
| | | | V _{IN} =2.0V ⁽³⁾ | 4.9 | 6.0 | - | 3.0 | 6.0 | | | |
| | | | V _{IN} =3.0V ⁽³⁾ | 9.2 | 10.3 | - | 5.8 | 10.3 | | | |
| | | | V _{IN} =4.0V ⁽⁴⁾ | 12.3 | 13.8 | - | 7.7 | 13.8 | | | |
| Leakage Current | I _{Leak} | V _{IN} =6.0V, V _{RESETB} =6.0V | - | 0.01 | 0.1 | - | 0.01 | μA | ④ | | |
| Cd Pin Sink Current | I _{cd} | V _{IN} =1.5V, V _{Cd} =0.7V | 530 | 770 | - | 295 | 770 | - | | | |
| Release Delay Time1 ⁽⁶⁾ | t _{DR1} | V _{IN} =1.5V → V _{DF(T)} × 1.1V, Cd=0.01μF | 8.5 | 10.0 | 11.5 | 7 | 10.0 | 12 | ms | ⑤ | |
| Release Delay Time2 ⁽⁷⁾ | t _{DR2} | V _{IN} =V _{DF(T)} × 1.1V, Cd=0.01μF | 0.85 | 1.0 | 1.15 | 0.7 | 1.0 | 1.2 | | | |
| Watchdog Timeout Period ⁽⁸⁾ | t _{WD} | V _{IN} =V _{DF(T)} × 1.1V, Cd=0.01μF, WD=V _{SS} | 8.5 | 10.0 | 11.5 | 7 | 10.0 | 12 | | | |
| Detect Delay Time ⁽⁹⁾ | t _{DF} | V _{IN} =V _{DF(T)} × 1.1V → 1.5V, Cd=0.01μF | - | 10.0 | 50 | - | 10.0 | 100 | | | μs |
| Watchdog Minimum Pulse Width | t _{WDIN} | V _{IN} =6.0V, Apply pulse from 6.0V to 0V to the WD pin. | 100 | - | - | 100 | - | - | ns | ⑥ | |
| Watchdog High Level Voltage | V _{WDH} | V _{DF(T)} × 1.1V ≤ V _{IN} ≤ 6.0V | V _{IN} × 0.7 | - | 6 | V _{IN} × 0.7 | - | 6 | V | | |
| Watchdog Low Level Voltage | V _{WDL} | V _{DF(T)} × 1.1V ≤ V _{IN} ≤ 6.0V | 0 | - | V _{IN} × 0.3 | 0 | - | V _{IN} × 0.3 | V | | |
| Watchdog Pull-down Resistance | R _{WD} | V _{WD} =6.0V, R _{WD} =V _{WD} /I _{WD} | 280 | 550 | 1100 | 220 | 550 | 1350 | kΩ | ⑦ | |
| ENB High Level Voltage | V _{ENBH} | V _{IN} =V _{DF(T)} × 1.1V ~ 6.0V | 1.3 | - | V _{IN} | 1.3 | - | V _{IN} | V | ⑧ | |
| ENB Low Level Voltage | V _{ENBL} | | 0 | - | 0.45 | 0 | - | 0.45 | V | ⑨ | |
| ENB Pull-down Resistance | R _{ENB} | V _{ENB} =6.0V, R _{ENB} =V _{ENB} /I _{ENB} | 300 | 800 | 1200 | 230 | 800 | 1420 | kΩ | | |

NOTE:

*The WD pin and ENB pin are open unless otherwise specified in the measurement conditions.

⁽¹⁾ V_{DF(T)}: Nominal detect voltage

⁽²⁾ Excludes the current that flows to the EN pull-down resistance when ENB = H.

⁽³⁾ For V_{DF(T)} > 2.0V products only.

⁽⁴⁾ For V_{DF(T)} > 3.0V products only.

⁽⁵⁾ For V_{DF(T)} > 4.0V products only.

⁽⁶⁾ Until time when RESETB pin shows release status after V_{IN} reached the release voltage.

Release voltage (V_{DR}) = Detect voltage (V_{DFL}) + Hysteresis width (V_{HYS})

⁽⁷⁾ The time to change the status of RESETB pin from the detect-status after the watchdog-timeout happens with the condition of WD=V_{SS}.

⁽⁸⁾ The time to change the status of RESETB pin from the release-status to the detect-status with the condition of WD=V_{SS}.

⁽⁹⁾ When V_{IN} is changed during watchdog timeout time, until time when RESETB pin shows detect status after V_{IN} reached the detect voltage.

⁽¹⁰⁾ The ambient temperature range (-40°C ≤ Ta ≤ 125°C) is design Value.

TEST CIRCUITS

CIRCUIT①



CIRCUIT②



CIRCUIT③



CIRCUIT④



CIRCUIT⑤



TEST CIRCUITS (Continued)

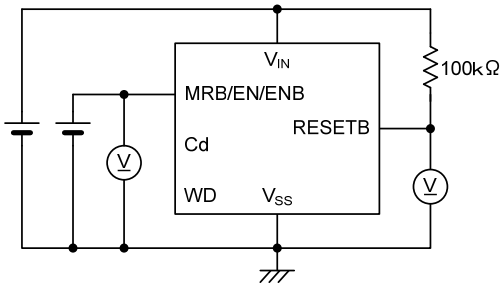
CIRCUIT⑥



CIRCUIT⑦



CIRCUIT⑧



CIRCUIT⑨



CIRCUIT⑩



OPERATIONAL EXPLANATION

In the XC6130/XC6131 Series, the voltage divided by RH, RX, and RY connected to the V_{IN} pin is compared to the internal reference voltage by the comparator, and the resulting output signal drives the watchdog logic and output driver. The V_{IN} pin voltage is gradually lowered, and when the V_{IN} pin voltage reaches the detect voltage, H→L level signal is output to the reset output pin (V_{DFL} type).



XC6130 Series

<Output signal of reset output pin>

If the V_{IN} pin voltage is below the detect voltage, the reset output pin outputs H→L level signal.

After the V_{IN} pin voltage reaches the release voltage, the reset output pin holds L level during release delay time 1 (t_{DR1}). If a start signal is not input to the WD pin within the watchdog timeout time, the reset output pin holds L level during release delay time 2 (t_{DR2}) and then outputs H level signal.

<Hysteresis>

If the internal comparator outputs L level signal, the PMOS transistor connected in parallel to RH turns ON and the hysteresis circuit activates. The hysteresis voltage width is obtained from the difference between the detect voltage and the release voltage.

The hysteresis width is (V_{DFL} × 0.05) V (TYP.).

<WD pin>

A watchdog timer is used to detect abnormal operation and runaway in a microprocessor. If “L→H” signal is not input from the microprocessor within the watchdog timeout time, the reset output pin holds the detect state during release delay time 2 (t_{DR2}), and then L → H level signal is output to the reset output pin.

In addition, the watchdog pin is pulled down internally to V_{SS}, and when the watchdog pin is OPEN, a reset signal is output after the watchdog timeout time.

The watchdog timeout time (t_{WD}) can be set using the equation below.

$$t_{WD} = Cd \times 10^6$$

Example: When Cd is 0.1 μF, t_{WD} = 0.1 × 10⁻⁶ × 10⁶ = 100ms (TYP.)

OPERATIONAL EXPLANATION (Continued)

<Release delay time 1>

When power is added on the V_{IN} , the time from the point that V_{IN} reaches the release voltage until the reset output pin reaches the release voltage is release delay time 1 (t_{DR1}).

Release delay time 1 (t_{DR1}) can be set using the equation below.

$$t_{DR1} = Cd \times 10^6$$

Example: When Cd is 0.1 μ F, $t_{DR1} = 0.1 \times 10^{-6} \times 10^6 = 100\text{ms}$ (TYP.)

<Release delay time 2>

Release delay time 2 (t_{DR2}) is the duration of the detect state until the watchdog timer restarts when "L \rightarrow H" signal is not input to the WD pin within the watchdog timeout time.

Release delay time 2 (t_{DR2}) can be set using the equation below.

$$t_{DR2} = Cd \times 10^5$$

Example: When Cd is 0.1 μ F, $t_{DR2} = 0.1 \times 10^{-6} \times 10^5 = 10\text{ms}$ (TYP.)

<Detect delay time>

The detect delay time (t_{DF}) is the time until the V_{IN} pin voltage drops to the detect voltage and the reset output pin enters the detect state.

<MRB pin> *XC6130 Series

The MRB pin voltage can be input to force the signal of the reset output pin to the detect state.

When the MRB pin voltage input reaches an H \rightarrow L level signal, an H \rightarrow L level signal is output to the reset output pin. After the MRB pin voltage reaches L \rightarrow H level, the reset output pin holds the detect state during release delay time 1 (t_{DR1}).

<EN pin> *XC6131A Series

If the watchdog function will not be used, the EN pin can be set to L level to forcibly stop only the watchdog function and keep the voltage detector operating. When using the watchdog function, use the EN pin at H level. If the input voltage and EN pin voltage reach L \rightarrow H level, the reset output pin holds the detect state during release delay time 1 (t_{DR1}). (Refer to Timing Chart 2, ①)

If the input voltage is higher than the release voltage and the EN pin voltage reaches L \rightarrow H level, the watchdog function recovers. (Refer to Timing Chart 2, ②)

<ENB Pin> *XC6131B Series

When the watchdog function is not used, the ENB pin can be set to H level to keep the voltage detector operating and forcibly stop only the watchdog function. To use the watchdog function, use the ENB pin at L level. When the input voltage and ENB pin voltage reach H \rightarrow L level, the reset output pin holds the detect state during release delay time 1 (t_{DR1}). (Refer to Timing Chart 3, ①)

When the input voltage is higher than the release voltage and the ENB pin voltage reaches H \rightarrow L level, the watchdog function recovers. (Refer to Timing Chart 3, ②)

OPERATIONAL EXPLANATION (Continued)

<Timing Chart 1>

XC6130 Series



OPERATIONAL EXPLANATION (Continued)

<Timing Chart 2>

XC6131A Series



OPERATIONAL EXPLANATION(Continued)

<Timing Chart 3>

XC6131B Series



NOTES ON USE

1. Use this IC within the absolute maximum ratings. Risk of deterioration or damage if the absolute maximum ratings are exceeded during temporary or transient voltage drops or voltage jumps.
2. If a resistance is added between the power and the VIN pin, the flowthrough current when the IC operates will cause the VIN pin voltage to drop and the IC may malfunction.
3. When raising the input voltage from the minimum operating voltage or less, if changed suddenly, the release delay time may become short.
4. Sufficiently reinforce the VIN and GND lines, as power noise may cause malfunctioning of the watchdog function and voltage detector. It is recommended that a capacitor be added between VIN and GND.
5. Enter "H" level, or "L" level should be fed to MRB and EN/ENB pin.
6. To ensure stable operation of the watchdog function, be sure to add a capacitor at the Cd pin.
The release delay time and watchdog timeout time are affected by the accuracy and temperature characteristics of the Cd pin capacitor.
7. If the Cd pin capacitor is unable to discharge to the ground level during recovery after a power interruption, the release delay may become noticeably shorter. Exercise caution.
8. The output voltage at detection is determined by the pull-up resistance connected to RESETB pin.
Select the resistance based on the following considerations:

$$\text{At detection: } V_{\text{RESETB}} = (V_{\text{pull-Up}}) / (1 + R_{\text{pull}} / R_{\text{ON}})$$

Vpull-Up: Voltage after pull-up

R_{ON}⁽¹⁾: ON resistance of N-ch driver (calculated from $V_{\text{RESETB}} / I_{\text{RBOUT1}}$ in electrical characteristics)⁽³⁾

Example calculation:

When $V_{\text{IN}} = 2.0\text{V}$ ⁽²⁾, $R_{\text{ON}} = 0.3 / 4.9 \times 10^{-3} \approx 61.2\Omega$ (MAX.). If you wish to make the VRESETB voltage at detection 0.1V or lower with $V_{\text{pull-Up}} = 3.0\text{V}$,

$$R_{\text{pull}} = (V_{\text{pull-Up}} / V_{\text{RESETB}} - 1) \times R_{\text{ON}} = (3 / 0.1 - 1) \times 61.2 \approx 1.8\text{k}\Omega,$$

and thus to make the output voltage at detection 0.1V or less under the above conditions, the pull-up resistance must be 1.8kΩ or higher.

⁽¹⁾ The smaller V_{IN} is, the larger R_{ON} becomes.

⁽²⁾ When selecting V_{IN} , calculate using the lowest value of the input voltage range you will use.

⁽³⁾ I_{RBOUT1} specified in the electrical characteristics is the value at $T_a = 25^\circ\text{C}$. I_{RBOUT1} varies depending on the ambient temperature.

To select the pull-up resistance taking ambient temperature into account, please calculate I_{RBOUT} with the MIN. value of the ambient temperature range of $-40^\circ\text{C} \leq T_a \leq 125^\circ\text{C}$.

$$\text{At release: } V_{\text{RESETB}} = (V_{\text{pull-Up}}) / (1 + R_{\text{pull}} / R_{\text{OFF}})$$

Vpull-Up: Voltage after pull-up

R_{OFF}: Resistance value 60MΩ (MIN.)

when N-ch driver is OFF (calculated from $V_{\text{RESETB}} / I_{\text{LEAK}}$ in electrical characteristics)

Calculation example:

If you wish to make V_{RESETB} 5.99V or higher with $V_{\text{pull-Up}} = 6.0\text{V}$

$$R_{\text{pull}} = (V_{\text{pull-Up}} / V_{\text{RESETB}} - 1) \times R_{\text{OFF}} = (6 / 5.99 - 1) \times 60 \times 10^3 \approx 100\text{k}\Omega,$$

and thus to make the output voltage 5.99V or higher at release under the above conditions, the pull-up resistance must be 100kΩ or less.

9. We place importance on improving our products and increasing reliability. However, please design safety into the device and system, including fail-safe design and post-aging treatment.

TYPICAL PERFORMANCE CHARACTERISTICS

(1) Detect, Release Voltage vs. Ambient Temperature

XC6130, XC6131 ($V_{DF(T)}=1.6V$)



XC6130, XC6131 ($V_{DF(T)}=3.0V$)



(2) Detect, Release Voltage vs. Input Voltage

XC6130, XC6131 ($V_{DF(T)}=5.0V$)



XC6130, XC6131 ($V_{DF(T)}=1.6V$)



XC6130, XC6131 ($V_{DF(T)}=3.0V$)

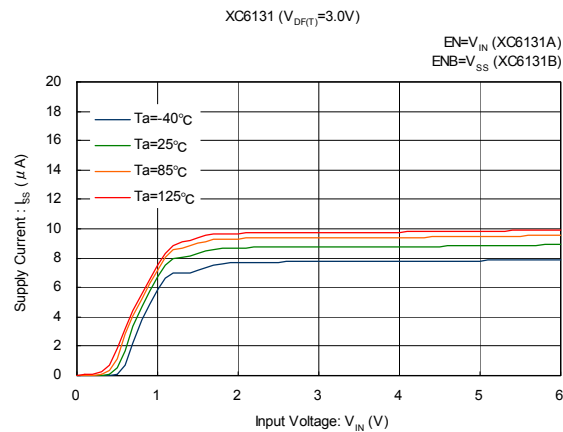
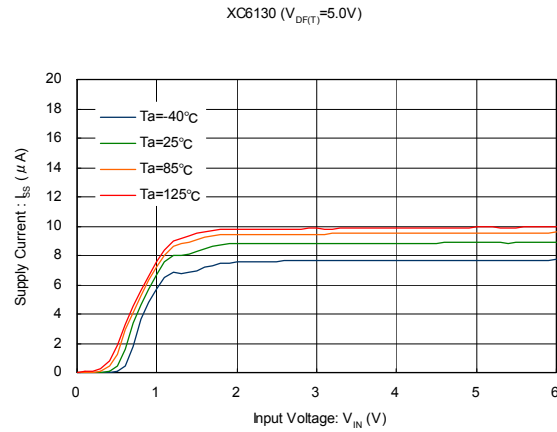


XC6130, XC6131 ($V_{DF(T)}=5.0V$)



TYPICAL PERFORMANCE CHARACTERISTICS (Continued)

(3) Supply Current vs. Input Voltage



TYPICAL PERFORMANCE CHARACTERISTICS (Continued)

(3) Supply Current vs. Input Voltage (Continued)



(4) Output Current vs. V_{RESETB}



(5) Output Current vs. Input Voltage



TYPICAL PERFORMANCE CHARACTERISTICS (Continued)

(6) Cd Sink Current vs. Ambient Temperature



(7) Release Delay Time1 vs. Ambient Temperature



(8) Release Delay Time2 vs. Ambient Temperature



TYPICAL PERFORMANCE CHARACTERISTICS (Continued)

(9) Watchdog Timeout Period vs. Ambient Temperature



(10) WD High Level Threshold Voltage vs. Ambient Temperature



(11) WD Low Level Threshold Voltage vs. Ambient Temperature



TYPICAL PERFORMANCE CHARACTERISTICS (Continued)

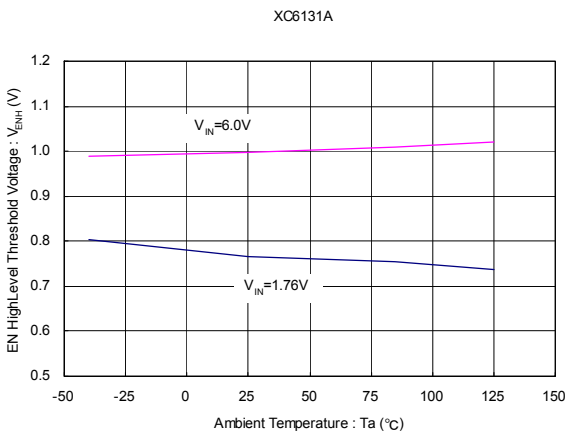
(12) MRB High Level Threshold Voltage vs. Ambient Temperature



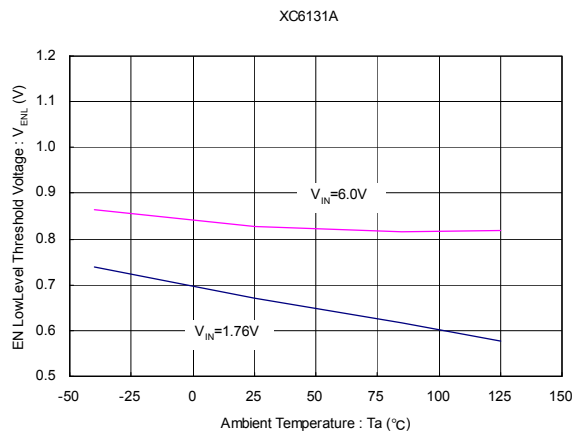
(13) MRB Low Level Threshold Voltage vs. Ambient Temperature



(14) EN High Level Threshold Voltage vs. Ambient Temperature



(15) EN Low Level Threshold Voltage vs. Ambient Temperature



(16) ENB High Level Threshold Voltage vs. Ambient Temperature



(17) ENB Low Level Threshold Voltage vs. Ambient Temperature



■ TYPICAL PERFORMANCE CHARACTERISTICS (Continued)

(18) MRB Pull-up Resistance vs. Ambient Temperature



(19) EN Pull-up Resistance vs. Ambient Temperature



(20) ENB Pull-down Resistance vs. Ambient Temperature



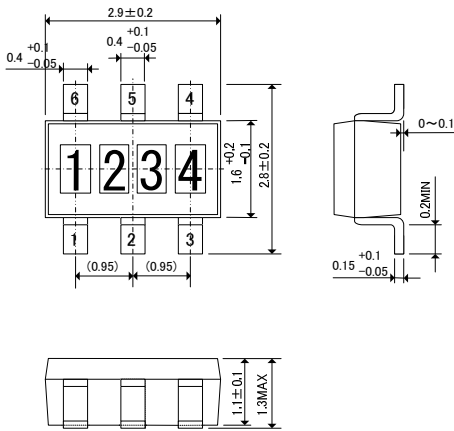
(21) WD Pull-up Resistance vs. Ambient Temperature



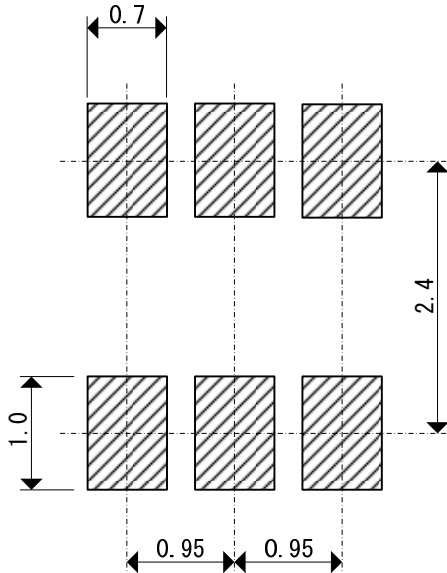
XC6130/XC6131 Series

PACKAGING INFORMATION

●SOT-26 (unit: mm)



●SOT-26 Reference Pattern Layout (unit: mm)



■ PACKAGING INFORMATION (Continued)

● SOT-26 Power Dissipation (Topmax+125°C)

Power dissipation data for the SOT-26 is shown in this page.
The value of power dissipation varies with the mount board conditions.
Please use this data as the reference data taken in the following condition.

1. Measurement Condition

- Condition: Mount on a board
- Ambient: Natural convection
- Soldering: Lead (Pb) free
- Board: Dimensions 40 x 40 mm (1600 mm² in one side)
Copper (Cu) traces occupy 50% of the board area
In top and back faces
(Board of SOT-26 is used)
- Material: Glass Epoxy (FR-4)
- Thickness: 1.6mm
- Through-hole 4 x 0.8 Diameter



Evaluation Board (Unit: mm)

2. Power Dissipation vs. Ambient Temperature

Board Mount (T_{jmax}=125°C)

| Ambient Temperature (°C) | Power Dissipation Pd (mW) | Thermal Resistance (°C/W) |
|--------------------------|---------------------------|---------------------------|
| 25 | 600 | 166.67 |
| 85 | 240 | |



MARKING RULE

●XC6130

SOT-26



① represents products series

| MARK | PRODUCT SERIES |
|------|----------------|
| 4 | XC6130*****-G |

② represents type of detector and detect voltage

| MARK | DETECT VOLTAGE (V) | PRODUCT TYPE | PRODUCT SERIES |
|------|--------------------|--------------|----------------|
| 1 | 1.6~2.0 | A | XC6130A*****-G |
| 2 | 2.1~3.0 | | |
| 3 | 3.1~4.0 | | |
| 4 | 4.1~5.0 | | |

③ represents detect voltage

| MARK | DETECT VOLTAGE (V) | MARK | DETECT VOLTAGE (V) |
|------|--------------------|------|--------------------|
| 1 | x.1 | 6 | x.6 |
| 2 | x.2 | 7 | x.7 |
| 3 | x.3 | 8 | x.8 |
| 4 | x.4 | 9 | x.9 |
| 5 | x.5 | 0 | x.0 |

④⑤ represents production lot number

01~09, 0A~0Z, 11~9Z, A1~A9, AA~AZ, B1~ZZ in order.

(G, I, J, O, Q, W excluded)

* No character inversion used.

MARKING RULE (Continued)

●XC6131

SOT-26



① represents products series

| MARK | PRODUCT SERIES |
|------|----------------|
| 4 | XC6131*****-G |

② represents type of detector and detect voltage

| MARK | DETECT VOLTAGE (V) | PRODUCT TYPE | PRODUCT SERIES |
|------|--------------------|--------------|----------------|
| A | 1.6~2.0 | A | XC6131A*****-G |
| B | 2.1~3.0 | | |
| C | 3.1~4.0 | | |
| D | 4.1~5.0 | | |
| E | 1.6~2.0 | B | XC6131B*****-G |
| F | 2.1~3.0 | | |
| H | 3.1~4.0 | | |
| K | 4.1~5.0 | | |

③ represents detect voltage

| MARK | DETECT VOLTAGE (V) | MARK | DETECT VOLTAGE (V) |
|------|--------------------|------|--------------------|
| 1 | x.1 | 6 | x.6 |
| 2 | x.2 | 7 | x.7 |
| 3 | x.3 | 8 | x.8 |
| 4 | x.4 | 9 | x.9 |
| 5 | x.5 | 0 | x.0 |

④⑤ represents production lot number

01~09, 0A~0Z, 11~9Z, A1~A9, AA~AZ, B1~ZZ in order.

(G, I, J, O, Q, W excluded)

* No character inversion used.

1. The products and product specifications contained herein are subject to change without notice to improve performance characteristics. Consult us, or our representatives before use, to confirm that the information in this datasheet is up to date.
2. We assume no responsibility for any infringement of patents, patent rights, or other rights arising from the use of any information and circuitry in this datasheet.
3. Please ensure suitable shipping controls (including fail-safe designs and aging protection) are in force for equipment employing products listed in this datasheet.
4. The products in this datasheet are not developed, designed, or approved for use with such equipment whose failure or malfunction can be reasonably expected to directly endanger the life of, or cause significant injury to, the user.
(e.g. Atomic energy; aerospace; transport; combustion and associated safety equipment thereof.)
5. Please use the products listed in this datasheet within the specified ranges.
Should you wish to use the products under conditions exceeding the specifications, please consult us or our representatives.
6. We assume no responsibility for damage or loss due to abnormal use.
7. All rights reserved. No part of this datasheet may be copied or reproduced without the prior permission of TOREX SEMICONDUCTOR LTD.

TOREX SEMICONDUCTOR LTD.

Компания «Life Electronics» занимается поставками электронных компонентов импортного и отечественного производства от производителей и со складов крупных дистрибьюторов Европы, Америки и Азии.

С конца 2013 года компания активно расширяет линейку поставок компонентов по направлению коаксиальный кабель, кварцевые генераторы и конденсаторы (керамические, пленочные, электролитические), за счёт заключения дистрибьюторских договоров

Мы предлагаем:

- Конкурентоспособные цены и скидки постоянным клиентам.
- Специальные условия для постоянных клиентов.
- Подбор аналогов.
- Поставку компонентов в любых объемах, удовлетворяющих вашим потребностям.
- Приемлемые сроки поставки, возможна ускоренная поставка.
- Доставку товара в любую точку России и стран СНГ.
- Комплексную поставку.
- Работу по проектам и поставку образцов.
- Формирование склада под заказчика.
- Сертификаты соответствия на поставляемую продукцию (по желанию клиента).
- Тестирование поставляемой продукции.
- Поставку компонентов, требующих военную и космическую приемку.
- Входной контроль качества.
- Наличие сертификата ISO.

В составе нашей компании организован Конструкторский отдел, призванный помогать разработчикам, и инженерам.

Конструкторский отдел помогает осуществить:

- Регистрацию проекта у производителя компонентов.
- Техническую поддержку проекта.
- Защиту от снятия компонента с производства.
- Оценку стоимости проекта по компонентам.
- Изготовление тестовой платы монтаж и пусконаладочные работы.



Тел: +7 (812) 336 43 04 (многоканальный)

Email: org@lifeelectronics.ru