



Main

| | |
|-------------------------------|------------------------------|
| Range of product | Harmony XAC |
| Product or component type | Contact block |
| Component name | XACS |
| Electrical circuit type | Control circuit |
| Contact block type | Single |
| Type of operator | Spring return |
| Product compatibility | XACA ZA2B... head |
| Mechanical interlocking | Without mechanical interlock |
| Contacts type and composition | 2 NC |
| Mounting of block | Front mounting |
| Contact operation | Slow-break |

Complementary

| | |
|---|--|
| Connections - terminals | Screw clamp terminals, connection capacity: 1 x 2.5 mm ² with or without cable end Screw clamp terminals, connection capacity: 2 x 1.5 mm ² with or without cable end |
| Horizontal fixing centres | 1.57 in (40 mm) |
| Vertical fixing centres | 1.18 in (30 mm) |
| Mechanical durability | 1000000 cycles |
| Contact code designation | A300 AC-15, U _e = 240 V, I _e = 3 A conforming to IEC 60947-5-1 appendix A Q300 DC-13, U _e = 250 V, I _e = 0.27 A conforming to IEC 60947-5-1 appendix A |
| [I _{th} e] conventional enclosed thermal current | 10 A |
| [U _i] rated insulation voltage | 500 V (degree of pollution: 3) conforming to IEC 60947-1 |
| [U _{imp}] rated impulse withstand voltage | 6 kV conforming to IEC 60947-1 |
| Resistance across terminals | <= 25 MOhm |
| Short-circuit protection | 10 A fuse protection by cartridge fuse type gG |
| Rated operational power in W | 42 W DC-13 for 1000000 cycles, operating rate = 60 cyc/mn at 120 V, load factor = 0.5 (inductive load) conforming to IEC 60947-5-1 appendix C 45 W DC-13 for 1000000 cycles, operating rate = 60 cyc/mn at 48 V, load factor = 0.5 (inductive load) conforming to IEC 60947-5-1 appendix C 60 W DC-13 for 1000000 cycles, operating rate = 60 cyc/mn at 24 V, load factor = 0.5 (inductive load) conforming to IEC 60947-5-1 appendix C |
| Rated operational power in VA | 140 VA AC-15 for 1000000 cycles, operating rate = 60 cyc/mn at 24 V 50/60 Hz, load factor = 0.5 (inductive load) 385 VA AC-15 for 1000000 cycles, operating rate = 60 cyc/mn at 48 V 50/60 Hz, load factor = 0.5 (inductive load) 455 VA AC-15 for 1000000 cycles, operating rate = 60 cyc/mn at 230 V 50/60 Hz, load factor = 0.5 (inductive load) 525 VA AC-15 for 1000000 cycles, operating rate = 60 cyc/mn at 127 V 50/60 Hz, load factor = 0.5 (inductive load) |
| Terminals description ISO n°1 | (11-12)NC (21-22)NC |
| Terminal identifier | (11-12)NC (13-14)NO |
| Product weight | 0.15 lb(US) (0.07 kg) |

Environment

| | |
|---------------------------------------|---|
| standards | EN 60947-5-1 IEC 60947-5-1 CSA C22.2 No 14 |
| ambient air temperature for operation | -13...158 °F (-25...70 °C) |
| ambient air temperature for storage | -40...158 °F (-40...70 °C) |
| vibration resistance | 15 gn (f = 10...500 Hz) conforming to IEC 60068-2-6 |

Offer Sustainability

WARNING: This product can expose you to chemicals including: WARNING: This product can expose you to chemicals including:

Nickel compounds, which is known to the State of California to cause cancer, and Nickel compounds, which is known to the State of California to cause cancer, and

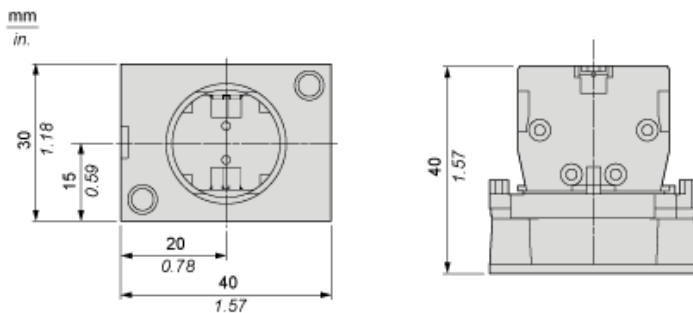
Di-isodecyl phthalate (DIDP), which is known to the State of California to cause birth defects or other reproductive harm. Di-isodecyl phthalate (DIDP), which is known to the State of California to cause birth defects or other reproductive harm.

For more information go to www.p65warnings.ca.gov For more information go to www.p65warnings.ca.gov

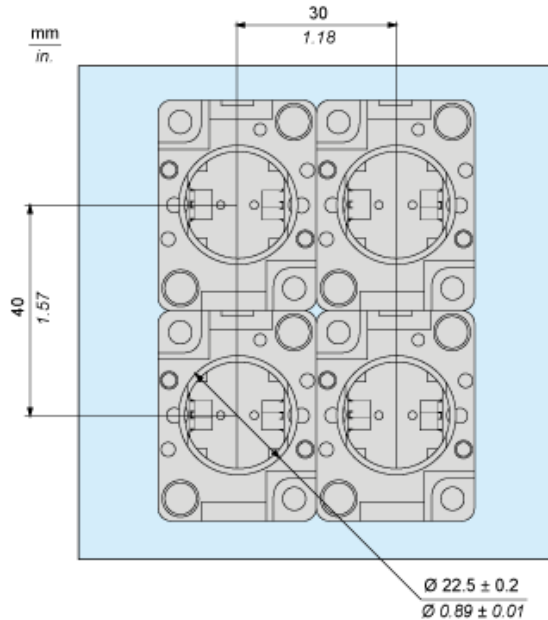
Contractual warranty

Warranty period 18 months

Dimensions



Mounting



Rated Operational Power

AC Supply 50/60 Hz

Operating rate: 3600 operating cycles/hour. Load factor: 0.5.

Power broken in VA for 1 million operating cycles, AC-15 utilization category

| Voltage | V | 24 | 48 | 127 | 230 |
|-------------------|---|-----|-----|-----|-----|
| Inductive circuit | W | 140 | 385 | 525 | 455 |

DC Supply

Operating rate: 3600 operating cycles/hour. Load factor: 0.5.

Power broken in W for 1 million operating cycles, DC-13 utilization category

| Voltage | V | 24 | 48 | 120 |
|-------------------|---|----|----|-----|
| Inductive circuit | W | 60 | 45 | 42 |

Компания «Life Electronics» занимается поставками электронных компонентов импортного и отечественного производства от производителей и со складов крупных дистрибьюторов Европы, Америки и Азии.

С конца 2013 года компания активно расширяет линейку поставок компонентов по направлению коаксиальный кабель, кварцевые генераторы и конденсаторы (керамические, пленочные, электролитические), за счёт заключения дистрибьюторских договоров

Мы предлагаем:

- Конкурентоспособные цены и скидки постоянным клиентам.
- Специальные условия для постоянных клиентов.
- Подбор аналогов.
- Поставку компонентов в любых объемах, удовлетворяющих вашим потребностям.
- Приемлемые сроки поставки, возможна ускоренная поставка.
- Доставку товара в любую точку России и стран СНГ.
- Комплексную поставку.
- Работу по проектам и поставку образцов.
- Формирование склада под заказчика.
- Сертификаты соответствия на поставляемую продукцию (по желанию клиента).
- Тестирование поставляемой продукции.
- Поставку компонентов, требующих военную и космическую приемку.
- Входной контроль качества.
- Наличие сертификата ISO.

В составе нашей компании организован Конструкторский отдел, призванный помогать разработчикам, и инженерам.

Конструкторский отдел помогает осуществить:

- Регистрацию проекта у производителя компонентов.
- Техническую поддержку проекта.
- Защиту от снятия компонента с производства.
- Оценку стоимости проекта по компонентам.
- Изготовление тестовой платы монтаж и пусконаладочные работы.



Тел: +7 (812) 336 43 04 (многоканальный)
Email: org@lifeelectronics.ru