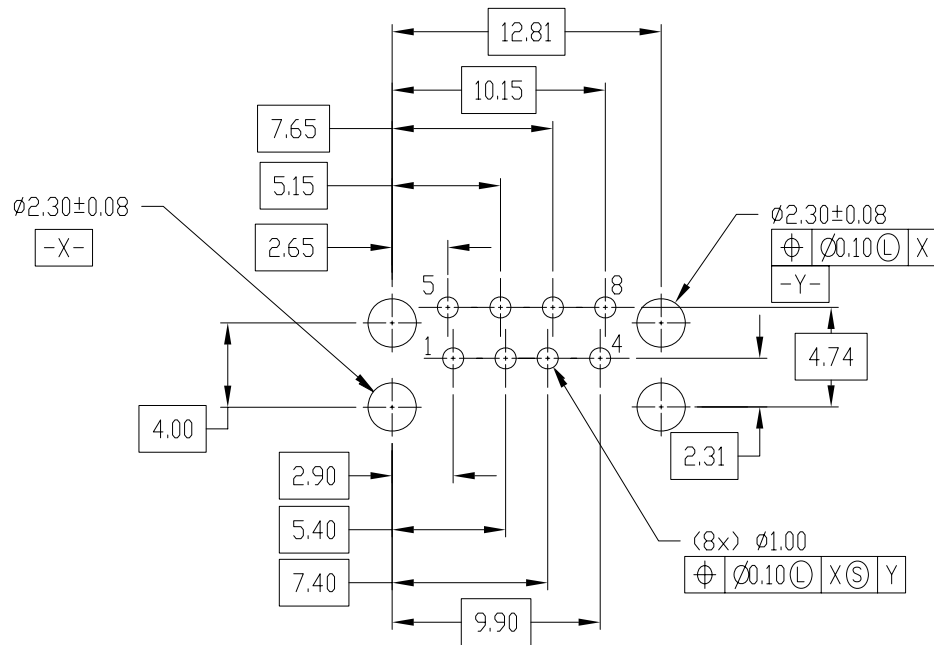
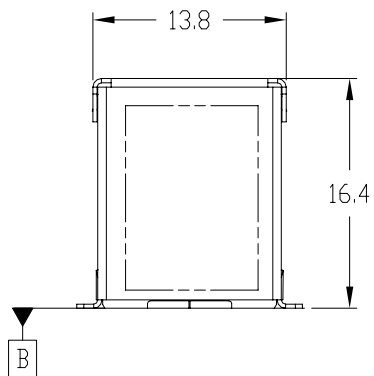
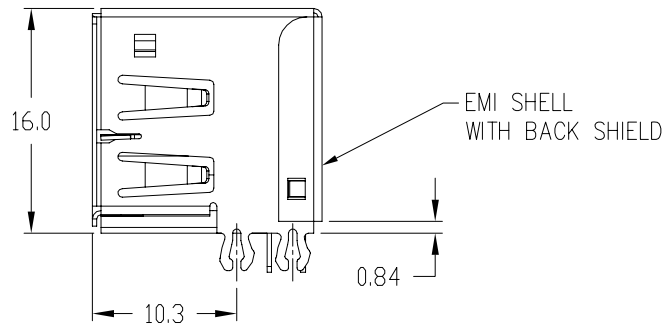
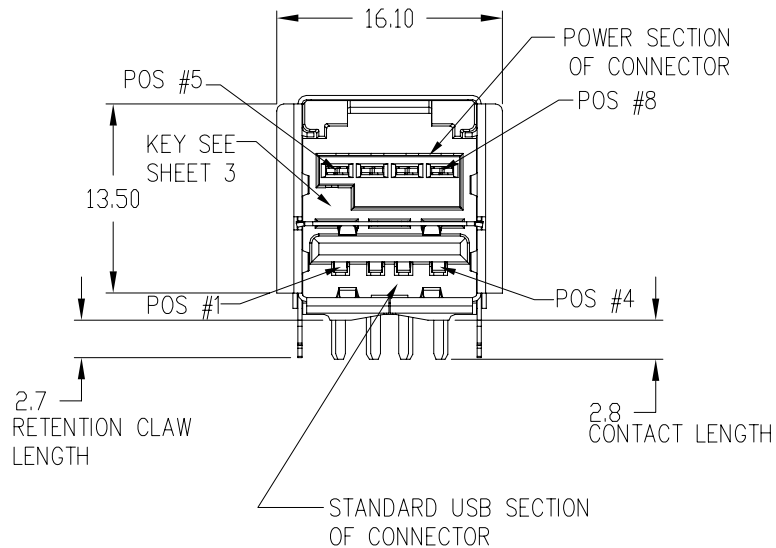


PRODUCT NUMBER
SEE TABLE



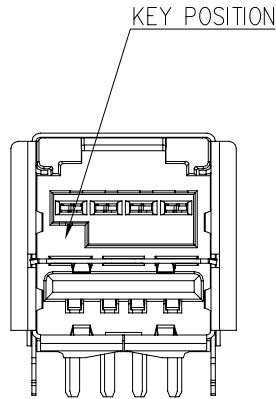
RECOMMENDED PCB DIMENSIONS
COMPONENT SIDE



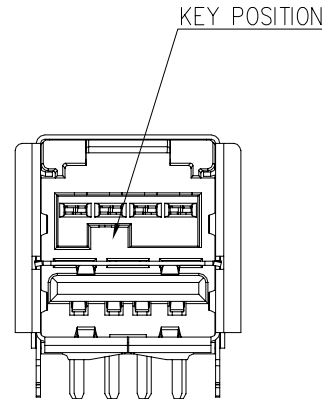
Copyright FCI.

| | | | | | | | |
|--------------------------|----------|-----------------------------------------|-------------|------------------|------------|---------------------------|---------------------------------------|
| mat'l code NOTE 1 & 2 | | tolerance unless otherwise specified | | CUSTOMER COPY | | FCI www.fciconnect.com | |
| rev | ecn no. | dr | date | linear | .0 ± .30 | projection | title USB+POWER RECEPTACLE ASSY |
| | | | | | .00 ± .20 | | |
| | | | | angles | .000 ± .10 | | unit |
| | | | | | 0° ± 3° | MM | code NT |
| | | dr | Nick. Zhang | 6/15/15 | | scale | product family USB |
| | | engr | Nick. Zhang | 6/15/15 | | 2:1 | size dwg no. |
| | | chr | Qing. Li | 6/15/15 | | A3 | 10135709 |
| | | appd | Tim. Yao | 6/15/15 | | | sheet 1 OF 4 |
| sheet | revision | A | | | | | |
| index | sheet | 1~4 | | | | | |

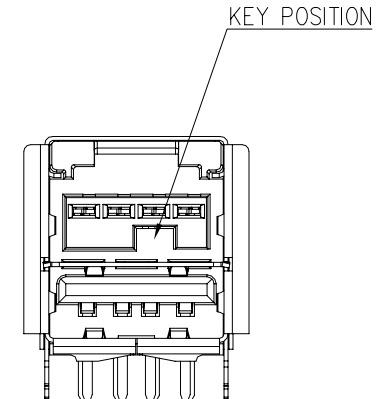
PRODUCT NUMBER
SEE TABLE



KEY POSITION 1
10135709-10X
10135709-50XLF
10135709-80XLF



KEY POSITION 2
10135709-20X
10135709-60XLF
10135709-00XLF



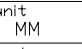


KEY POSITION 3
10135709-30X
10135709-70XLF
10135709-90XLF

ABOVE ASSEMBLIES ARE SHOWN LNLY FOR
KEY INFORMATION, FOR ASSEMBLY INFORMATION
AND DIMENSIONS SEE PREVIOUS SHEETS



Copyright FCI.

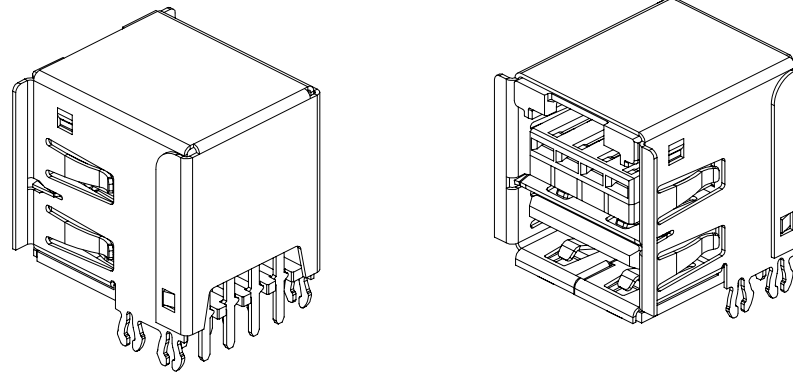
| | | | | | | | |
|--------------------------|----------|-----------------------------------------|------|------------------|------------------------------------|-------------------------------------------------------------------------------------------------------------|--------------------------------------------------------------------------------------------------------------------------------|
| mat'l code NOTE 1 & 2 | | tolerance unless otherwise specified | | CUSTOMER COPY | |  www.fciconnect.com | |
| rev | ecn no. | dr | date | linear | .0 ± .30 .00 ± .20 .000± .10 | projection |  title USB+POWER RECEPTACLE ASSY |
| | | | | angles | 0° ± 3° |  unit MM | |
| | | | | dr | Nick. Zhang 6/15/15 | scale | product family USB |
| | | | | engr | Nick. Zhang 6/15/15 | size | code NT |
| | | | | chr | Qing. Li 6/15/15 | A3 | sheet 2 OF 4 |
| | | | | appd | Tim. Yao 6/15/15 | 10135709 | |
| sheet | revision | A | | | | | |
| index | sheet | 1~4 | | | | | |



Copyright FCI.

NOTES:

1. MATERIAL:
 HOUSING: HIGH TEMP ENGINEERING PLASTIC UL 94V-0
 SHIELDS: HIGH STRENGTH COPPER ALLOY, PLATING: TIN/LEAD OR IN OVER NICKEL.
 TERMINALS: HIGH STRENGTH COPPER ALLOY, PLATING: NICKEL UNDERPLATING
 CONTACT AREA: 30 GXT MIN.
 TAIL AREA: TIN/LEAD OR MATT TIN.
2. DIMENSIONS AND TOLERANCES ARE IN ACCORDANCE WITH ASME Y14.5M, 1994.
3. USB SETION CONFORMS TO USB 2.0 SPECIFICATION.
4. MATTING SEQUENCE WHEN MATED WITH USB+POWER PLUG PRODUCT NUMBER 74233-XXX
5. CURRENT RATING IS 1.5 AMP PER CONTACT FOR THE STANDARD USB SECTION AND 3 OR 5 AMPS
 PER CONTACT FOR THE POWER SECTION WITH ALL CONTACTS POWER (SEE PART NUMBER TABLE), SEE GS-12-130
 FOR PRODUCT TEST AND PERFORMANCE INFORMATION.
6. P/N 'S WITH SUFFIX "LF" ARE LEAD FREE P/N'S
7. FOR LEAD FREE P/N, THE PRODUCT MEET EUROPEAN UNION DIRECTIVES AND OTHER COUNTRY
 REGULATION AS DESCRIBED IN GS-22-008
8. THE HOUSING WILL WITHSTAND EXPOSURE TO 260°C PEAK TERMERATURE FOR 40 SECONDS IN A
 CONVECTION, INFRO-RED OR VAPOR PHASE REFLOW OVEN.
9. THIS PRODUCT IS MADE UNDER LICENSE OF IBM U.S. PATENT NO.6334793




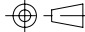
| CONTACT NUMBER | PRODUCT DASH NUMBER 10135709- | | | MATING SEQ. |
|----------------|----------------------------------|----------------------|----------------------|-------------|
| | -10X/50XLF /80XLF | -20X/60XLF /00XLF | -30X/70XLF /90XLF | |
| 1 | VCC | VCC | VCC | 2 |
| 2 | - DATA | - DATA | - DATA | 3 |
| 3 | + DATA | + DATA | + DATA | 3 |
| 4 | GROUND | GROUND | GROUND | 2 |
| 5 | 12V GROUND | 24V GROUND | 5V GROUND | 2 |
| 6 | 12V | 24V | 5V | 3 |
| 7 | 12V | 24V | 5V | 3 |
| 8 | 12V GROUND | 24V GROUND | 5V GROUND | 2 |
| D SHELL | SHIELD | SHIELD | SHIELD | 1 |

| | | | | | | | |
|--------------------------|----------|-----------------------------------------|-------------|------------------|------------------------------------|---------------------------|------------------------------|
| mat'l code NOTE 1 & 2 | | tolerance unless otherwise specified | | CUSTOMER COPY | | FCI www.fciconnect.com | |
| rev | ecn no. | dr | date | linear | .0 ± .30 .00 ± .20 .000± .10 | projection | title |
| | | | | angles | 0° ± 3° | | USB+POWER RECEPTACLE ASSY |
| | | dr | Nick. Zhang | 6/15/15 | unit | MM | product family USB |
| | | engr | Nick. Zhang | 6/15/15 | scale | A3 | code NT |
| | | chr | Qing. Li | 6/15/15 | size | 10135709 | sheet 3 OF 4 |
| | | appd | Tim. Yao | 6/15/15 | | | |
| sheet | revision | A | | | | | |
| index | sheet | 1~4 | | | | | |



Copyright FCI.

| 1 | 2 | 3 | 4 | 5 | 6 |
|----------------|------------------------------|---------|---------------|----------------|----------------------------------------------|
| PRODUCT NUMBER | DESCRIPTION | VOLTAGE | HOUSING COLOR | CURRENT RATING | REMARK |
| 10135709-100 | RECPT. ASS'Y. KEY POSITION 1 | 12V | BLACK | 3 AMPS | NON LEAD FREE PART,NOT AVAILABLE |
| 10135709-500LF | RECPT. ASS'Y. KEY POSITION 1 | 12V | BLACK | 3 AMPS | LEAD FREE PART, SUBSTITUTE OF 10135709-100 |
| 10135709-800LF | RECPT. ASS'Y. KEY POSITION 1 | 12V | BLACK | 5 AMPS | LEAD FREE PART, SUBSTITUTE OF 10135709-500LF |
| 10135709-101 | RECPT. ASS'Y. KEY POSITION 1 | 12V | TEAL | 3 AMPS | NON LEAD FREE PART,NOT AVAILABLE |
| 10135709-501LF | RECPT. ASS'Y. KEY POSITION 1 | 12V | TEAL | 3 AMPS | LEAD FREE PART, SUBSTITUTE OF 10135709-101 |
| 10135709-801LF | RECPT. ASS'Y. KEY POSITION 1 | 12V | TEAL | 5 AMPS | LEAD FREE PART, SUBSTITUTE OF 10135709-501LF |
| 10135709-200 | RECPT. ASS'Y. KEY POSITION 2 | 24V | BLACK | 3 AMPS | NON LEAD FREE PART,NOT AVAILABLE |
| 10135709-600LF | RECPT. ASS'Y. KEY POSITION 2 | 24V | BLACK | 3 AMPS | LEAD FREE PART, SUBSTITUTE OF 10135709-200 |
| 10135709-000LF | RECPT. ASS'Y. KEY POSITION 2 | 24V | BLACK | 5 AMPS | LEAD FREE PART, SUBSTITUTE OF 10135709-600LF |
| 10135709-201 | RECPT. ASS'Y. KEY POSITION 2 | 24V | RED | 3 AMPS | NON LEAD FREE PART,NOT AVAILABLE |
| 10135709-601LF | RECPT. ASS'Y. KEY POSITION 2 | 24V | RED | 3 AMPS | LEAD FREE PART, SUBSTITUTE OF 10135709-201 |
| 10135709-001LF | RECPT. ASS'Y. KEY POSITION 2 | 24V | RED | 5 AMPS | LEAD FREE PART, SUBSTITUTE OF 10135709-601LF |
| 10135709-300 | RECPT. ASS'Y. KEY POSITION 3 | 5V | NATURAL | 3 AMPS | NON LEAD FREE PART,NOT AVAILABLE |
| 10135709-700LF | RECPT. ASS'Y. KEY POSITION 3 | 5V | NATURAL | 3 AMPS | LEAD FREE PART, SUBSTITUTE OF 10135709-300 |
| 10135709-900LF | RECPT. ASS'Y. KEY POSITION 3 | 5V | NATURAL | 5 AMPS | LEAD FREE PART, SUBSTITUTE OF 10135709-700LF |

| | | | | | | | |
|--------------------------|----------|-----------------------------------------|------|------------------|---------------------|--------------------------------------------------------------------------------------------------------------------------------------------------|---------------------------------------|
| mat'l code NOTE 1 & 2 | | tolerance unless otherwise specified | | CUSTOMER COPY | |  www.fciconnect.com | |
| rev | ecn no. | dr | date | linear | .0 ± .30 | projection  | title USB+POWER RECEPTACLE ASSY |
| | | | | | .00 ± .20 | | |
| | | | | | .000± .10 | | |
| | | | | angles | 0° ± 3° | | |
| | | | | dr | Nick. Zhang 6/15/15 | unit | product family USB |
| | | | | enr | Nick. Zhang 6/15/15 | MM | code NT |
| | | | | chr | Qing. Li 6/15/15 | scale | size dwg no. |
| | | | | app | Tim. Yao 6/15/15 | 2:1 | A3 10135709 |
| sheet | revision | A | | | | | sheet |
| index | sheet | 1~4 | | | | | 4 OF 4 |

Компания «Life Electronics» занимается поставками электронных компонентов импортного и отечественного производства от производителей и со складов крупных дистрибьюторов Европы, Америки и Азии.

С конца 2013 года компания активно расширяет линейку поставок компонентов по направлению коаксиальный кабель, кварцевые генераторы и конденсаторы (керамические, пленочные, электролитические), за счёт заключения дистрибьюторских договоров

Мы предлагаем:

- Конкурентоспособные цены и скидки постоянным клиентам.
- Специальные условия для постоянных клиентов.
- Подбор аналогов.
- Поставку компонентов в любых объемах, удовлетворяющих вашим потребностям.
- Приемлемые сроки поставки, возможна ускоренная поставка.
- Доставку товара в любую точку России и стран СНГ.
- Комплексную поставку.
- Работу по проектам и поставку образцов.
- Формирование склада под заказчика.
- Сертификаты соответствия на поставляемую продукцию (по желанию клиента).
- Тестирование поставляемой продукции.
- Поставку компонентов, требующих военную и космическую приемку.
- Входной контроль качества.
- Наличие сертификата ISO.

В составе нашей компании организован Конструкторский отдел, призванный помогать разработчикам, и инженерам.

Конструкторский отдел помогает осуществить:

- Регистрацию проекта у производителя компонентов.
- Техническую поддержку проекта.
- Защиту от снятия компонента с производства.
- Оценку стоимости проекта по компонентам.
- Изготовление тестовой платы монтаж и пусконаладочные работы.



Тел: +7 (812) 336 43 04 (многоканальный)

Email: org@lifeelectronics.ru