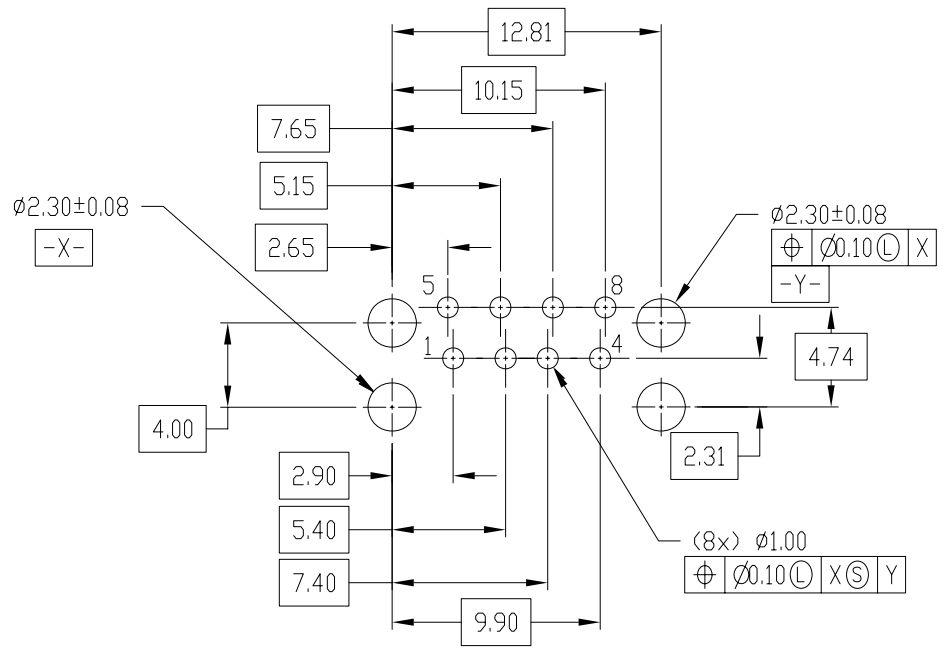
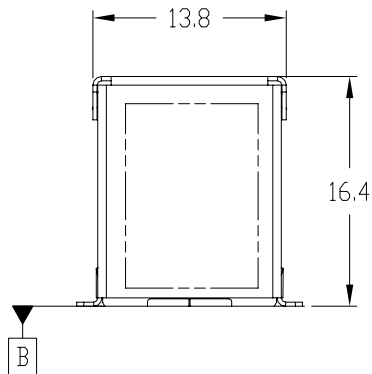
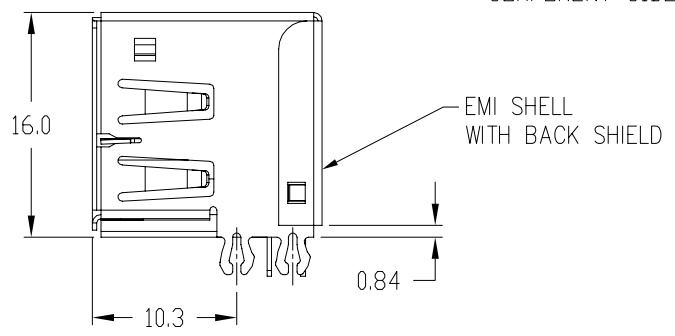
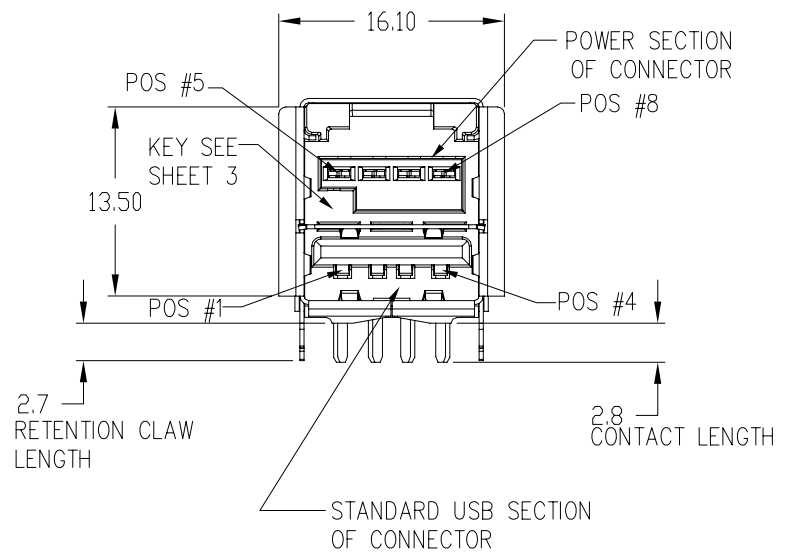



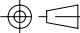
PRODUCT NUMBER  
SEE TABLE



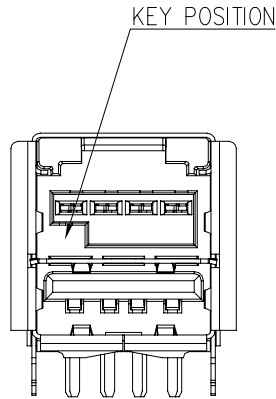
RECOMMENDED PCB DIMENSIONS  
COMPONENT SIDE



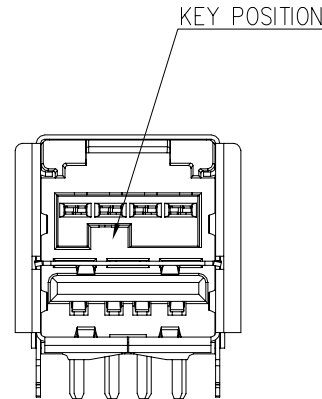
Copyright FCI.

|                          |          |   |             |                  |            |   |  |
|--------------------------|----------|---|-------------|------------------|------------|---|--|
| mat'l code<br>NOTE 1 & 2 |          | tolerance unless<br>otherwise specified |             | CUSTOMER<br>COPY |            | <br>www.fciconnect.com |  |
| rev                      | ecn no.  | dr                                      | date        | linear           | .0 ± .30   | projection  | <br>title<br>USB+POWER<br>RECEPTACLE ASSY |
|                          |          |   |             |                  | .00 ± .20  |   |  |
|                          |          |   |             | angles           | .000 ± .10 |   |  |
|                          |          |   |             |                  | 0° ± 3°    |   |  |
|                          |          | dr                                      | Nick. Zhang | 6/15/15          | unit       | MM  | product family USB   |
|                          |          | engr                                    | Nick. Zhang | 6/15/15          | size       | A3  | code NT  |
|                          |          | chr                                     | Qing. Li    | 6/15/15          | scale      | 2:1   | sheet 1 OF 4   |
|                          |          | appd                                    | Tim. Yao    | 6/15/15          |            |   | product family USB   |
| sheet                    | revision | A                                       |             | 10135709         |            | code NT   |  |
| index                    | sheet    | 1~4                                     |             |                  |            | sheet 1 OF 4  |  |

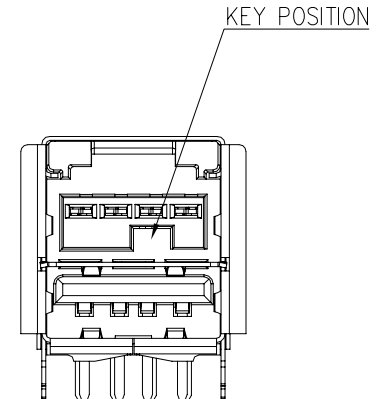
PRODUCT NUMBER  
SEE TABLE



KEY POSITION 1  
10135709-10X  
10135709-50XLF  
10135709-80XLF



KEY POSITION 2  
10135709-20X  
10135709-60XLF  
10135709-00XLF






KEY POSITION 3  
10135709-30X  
10135709-70XLF  
10135709-90XLF

ABOVE ASSEMBLIES ARE SHOWN LNLY FOR  
KEY INFORMATION, FOR ASSEMBLY INFORMATION  
AND DIMENSIONS SEE PREVIOUS SHEETS



Copyright FCI.

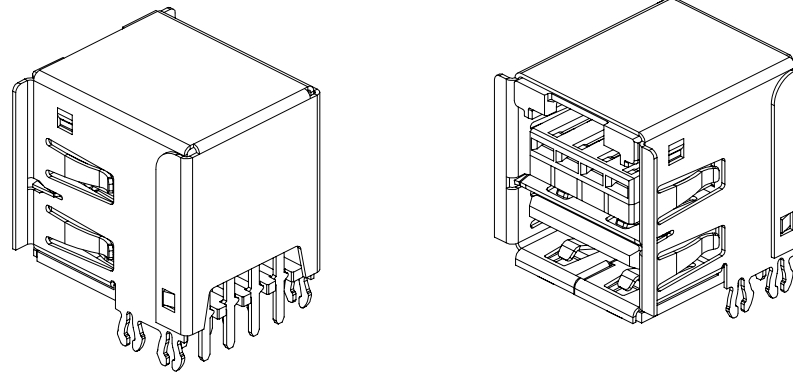
|                          |          |   |      |                  |                                    |   |  |
|--------------------------|----------|---|------|------------------|------------------------------------|---|--|
| mat'l code<br>NOTE 1 & 2 |          | tolerance unless<br>otherwise specified |      | CUSTOMER<br>COPY |                                    | <br>www.fciconnect.com |  |
| rev                      | ecn no.  | dr                                      | date | linear           | .0 ± .30<br>.00 ± .20<br>.000± .10 | projection  | <br>title<br>USB+POWER<br>RECEPTACLE ASSY |
|                          |          |   |      | angles           | 0° ± 3°                            | <br>unit<br>MM         |  |
|                          |          |   |      | dr               | Nick. Zhang 6/15/15                | scale   | product family USB   |
|                          |          |   |      | engr             | Nick. Zhang 6/15/15                | size  | code NT  |
|                          |          |   |      | chr              | Qing. Li 6/15/15                   | A3  | sheet 2 OF 4   |
|                          |          |   |      | appd             | Tim. Yao 6/15/15                   | 10135709  |  |
| sheet                    | revision | A                                       |      |                  |                                    |   |  |
| index                    | sheet    | 1~4                                     |      |                  |                                    |   |  |



Copyright FCI.

NOTES:

1. MATERIAL:  
 HOUSING: HIGH TEMP ENGINEERING PLASTIC UL 94V-0  
 SHIELDS: HIGH STRENGTH COPPER ALLOY, PLATING: TIN/LEAD OR IN OVER NICKEL.  
 TERMINALS: HIGH STRENGTH COPPER ALLOY, PLATING: NICKEL UNDERPLATING  
 CONTACT AREA: 30 GXT MIN.  
 TAIL AREA: TIN/LEAD OR MATT TIN.
2. DIMENSIONS AND TOLERANCES ARE IN ACCORDANCE WITH ASME Y14.5M, 1994.
3. USB SETION CONFORMS TO USB 2.0 SPECIFICATION.
4. MATTING SEQUENCE WHEN MATED WITH USB+POWER PLUG PRODUCT NUMBER 74233-XXX
5. CURRENT RATING IS 1.5 AMP PER CONTACT FOR THE STANDARD USB SECTION AND 3 OR 5 AMPS  
 PER CONTACT FOR THE POWER SECTION WITH ALL CONTACTS POWER (SEE PART NUMBER TABLE), SEE GS-12-130  
 FOR PRODUCT TEST AND PERFORMANCE INFORMATION.
6. P/N 'S WITH SUFFIX "LF" ARE LEAD FREE P/N'S
7. FOR LEAD FREE P/N, THE PRODUCT MEET EUROPEAN UNION DIRECTIVES AND OTHER COUNTRY  
 REGULATION AS DESCRIBED IN GS-22-008
8. THE HOUSING WILL WITHSTAND EXPOSURE TO 260°C PEAK TERMERATURE FOR 40 SECONDS IN A  
 CONVECTION, INFRO-RED OR VAPOR PHASE REFLOW OVEN.
9. THIS PRODUCT IS MADE UNDER LICENSE OF IBM U.S. PATENT NO.6334793




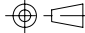
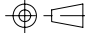
| CONTACT NUMBER | PRODUCT DASH NUMBER<br>10135709- |                      |                      | MATING SEQ. |
|----------------|----------------------------------|----------------------|----------------------|-------------|
|                | -10X/50XLF<br>/80XLF             | -20X/60XLF<br>/00XLF | -30X/70XLF<br>/90XLF |             |
| 1              | VCC                              | VCC                  | VCC                  | 2           |
| 2              | - DATA                           | - DATA               | - DATA               | 3           |
| 3              | + DATA                           | + DATA               | + DATA               | 3           |
| 4              | GROUND                           | GROUND               | GROUND               | 2           |
| 5              | 12V<br>GROUND                    | 24V<br>GROUND        | 5V<br>GROUND         | 2           |
| 6              | 12V                              | 24V                  | 5V                   | 3           |
| 7              | 12V                              | 24V                  | 5V                   | 3           |
| 8              | 12V<br>GROUND                    | 24V<br>GROUND        | 5V<br>GROUND         | 2           |
| D SHELL        | SHIELD                           | SHIELD               | SHIELD               | 1           |

|                          |          |   |      |                  |                                    |                           |                                       |
|--------------------------|----------|---|------|------------------|------------------------------------|---------------------------|---------------------------------------|
| mat'l code<br>NOTE 1 & 2 |          | tolerance unless<br>otherwise specified |      | CUSTOMER<br>COPY |                                    | FCI<br>www.fciconnect.com |                                       |
| rev                      | ecn no.  | dr                                      | date | linear           | .0 ± .30<br>.00 ± .20<br>.000± .10 | projection                | title<br>USB+POWER<br>RECEPTACLE ASSY |
|                          |          |   |      | angles           | 0° ± 3°                            |                           | product family USB                    |
|                          |          |   |      | dr               | Nick. Zhang 6/15/15                | unit                      | MM                                    |
|                          |          |   |      | engr             | Nick. Zhang 6/15/15                | scale                     | A3                                    |
|                          |          |   |      | chr              | Qing. Li 6/15/15                   | size                      | 10135709                              |
|                          |          |   |      | appd             | Tim. Yao 6/15/15                   | sheet                     | 3 OF 4                                |
| sheet                    | revision | A                                       |      |                  |                                    |                           |                                       |
| index                    | sheet    | 1~4                                     |      |                  |                                    |                           |                                       |



Copyright FCI.

| 1              | 2                            | 3       | 4             | 5              | 6  |
|----------------|------------------------------|---------|---------------|----------------|--|
| PRODUCT NUMBER | DESCRIPTION                  | VOLTAGE | HOUSING COLOR | CURRENT RATING | REMARK                                       |
| 10135709-100   | RECPT. ASS'Y. KEY POSITION 1 | 12V     | BLACK         | 3 AMPS         | NON LEAD FREE PART,NOT AVAILABLE             |
| 10135709-500LF | RECPT. ASS'Y. KEY POSITION 1 | 12V     | BLACK         | 3 AMPS         | LEAD FREE PART, SUBSTITUTE OF 10135709-100   |
| 10135709-800LF | RECPT. ASS'Y. KEY POSITION 1 | 12V     | BLACK         | 5 AMPS         | LEAD FREE PART, SUBSTITUTE OF 10135709-500LF |
| 10135709-101   | RECPT. ASS'Y. KEY POSITION 1 | 12V     | TEAL          | 3 AMPS         | NON LEAD FREE PART,NOT AVAILABLE             |
| 10135709-501LF | RECPT. ASS'Y. KEY POSITION 1 | 12V     | TEAL          | 3 AMPS         | LEAD FREE PART, SUBSTITUTE OF 10135709-101   |
| 10135709-801LF | RECPT. ASS'Y. KEY POSITION 1 | 12V     | TEAL          | 5 AMPS         | LEAD FREE PART, SUBSTITUTE OF 10135709-501LF |
| 10135709-200   | RECPT. ASS'Y. KEY POSITION 2 | 24V     | BLACK         | 3 AMPS         | NON LEAD FREE PART,NOT AVAILABLE             |
| 10135709-600LF | RECPT. ASS'Y. KEY POSITION 2 | 24V     | BLACK         | 3 AMPS         | LEAD FREE PART, SUBSTITUTE OF 10135709-200   |
| 10135709-000LF | RECPT. ASS'Y. KEY POSITION 2 | 24V     | BLACK         | 5 AMPS         | LEAD FREE PART, SUBSTITUTE OF 10135709-600LF |
| 10135709-201   | RECPT. ASS'Y. KEY POSITION 2 | 24V     | RED           | 3 AMPS         | NON LEAD FREE PART,NOT AVAILABLE             |
| 10135709-601LF | RECPT. ASS'Y. KEY POSITION 2 | 24V     | RED           | 3 AMPS         | LEAD FREE PART, SUBSTITUTE OF 10135709-201   |
| 10135709-001LF | RECPT. ASS'Y. KEY POSITION 2 | 24V     | RED           | 5 AMPS         | LEAD FREE PART, SUBSTITUTE OF 10135709-601LF |
| 10135709-300   | RECPT. ASS'Y. KEY POSITION 3 | 5V      | NATURAL       | 3 AMPS         | NON LEAD FREE PART,NOT AVAILABLE             |
| 10135709-700LF | RECPT. ASS'Y. KEY POSITION 3 | 5V      | NATURAL       | 3 AMPS         | LEAD FREE PART, SUBSTITUTE OF 10135709-300   |
| 10135709-900LF | RECPT. ASS'Y. KEY POSITION 3 | 5V      | NATURAL       | 5 AMPS         | LEAD FREE PART, SUBSTITUTE OF 10135709-700LF |

|                          |          |   |      |                  |                     |  |                                       |              |            |
|--------------------------|----------|---|------|------------------|---------------------|--|---------------------------------------|--------------|------------|
| mat'l code<br>NOTE 1 & 2 |          | tolerance unless<br>otherwise specified |      | CUSTOMER<br>COPY |                     |  <a href="http://www.fciconnect.com">www.fciconnect.com</a> |                                       |              |            |
| rev                      | ecn no.  | dr                                      | date | linear           | .0 ± .30            | projection<br>  | title<br>USB+POWER<br>RECEPTACLE ASSY |              |            |
|                          |          |   |      |                  | .00 ± .20           |  |                                       |              |            |
|                          |          |   |      |                  | .000± .10           |  |                                       |              |            |
|                          |          |   |      | angles           | 0° ± 3°             |   | product family USB<br>code NT         |              |            |
|                          |          |   |      | dr               | Nick. Zhang 6/15/15 |  |                                       | unit<br>MM   |            |
|                          |          |   |      | enr              | Nick. Zhang 6/15/15 |  |                                       |              |            |
|                          |          |   |      | chr              | Qing. Li 6/15/15    |  |                                       | scale<br>2:1 | size<br>A3 |
|                          |          |   |      | app              | Tim. Yao 6/15/15    |  |                                       |              |            |
| sheet                    | revision | A                                       |      |                  |                     |  |                                       |              |            |
| index                    | sheet    | 1~4                                     |      |                  |                     |  |                                       |              |            |

Компания «Life Electronics» занимается поставками электронных компонентов импортного и отечественного производства от производителей и со складов крупных дистрибьюторов Европы, Америки и Азии.

С конца 2013 года компания активно расширяет линейку поставок компонентов по направлению коаксиальный кабель, кварцевые генераторы и конденсаторы (керамические, пленочные, электролитические), за счёт заключения дистрибьюторских договоров

Мы предлагаем:

- Конкурентоспособные цены и скидки постоянным клиентам.
- Специальные условия для постоянных клиентов.
- Подбор аналогов.
- Поставку компонентов в любых объемах, удовлетворяющих вашим потребностям.
- Приемлемые сроки поставки, возможна ускоренная поставка.
- Доставку товара в любую точку России и стран СНГ.
- Комплексную поставку.
- Работу по проектам и поставку образцов.
- Формирование склада под заказчика.
- Сертификаты соответствия на поставляемую продукцию (по желанию клиента).
- Тестирование поставляемой продукции.
- Поставку компонентов, требующих военную и космическую приемку.
- Входной контроль качества.
- Наличие сертификата ISO.

В составе нашей компании организован Конструкторский отдел, призванный помогать разработчикам, и инженерам.

Конструкторский отдел помогает осуществить:

- Регистрацию проекта у производителя компонентов.
- Техническую поддержку проекта.
- Защиту от снятия компонента с производства.
- Оценку стоимости проекта по компонентам.
- Изготовление тестовой платы монтаж и пусконаладочные работы.



Тел: +7 (812) 336 43 04 (многоканальный)

Email: [org@lifeelectronics.ru](mailto:org@lifeelectronics.ru)