

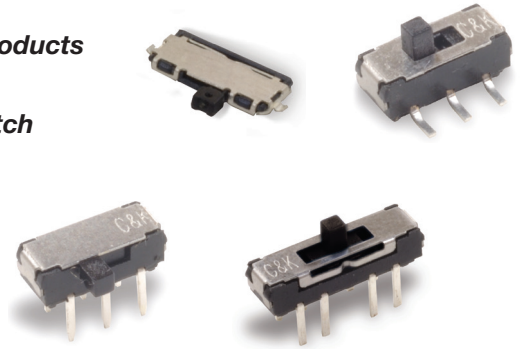
JS Series Sub-Miniature Slide Switches

Features/Benefits

- Positive detent
- Low profile
- IR reflow to 260° solder profile
- Surface and thru hole mounting
- SPDT, DPDT, DP3T models
- RoHS compliant

Typical Applications

- Telecommunication products
- Computer peripherals
- Thermostat select switch
- Instrumentations



Specifications

CONTACT RATING: 6 VDC @ 0.3A
 ELECTRICAL LIFE: 5,000 make-and-break cycles
 CONTACT RESISTANCE: 70 m Ω max.
 INSULATION RESISTANCE: 100 M Ω min. @ 500V.
 DIELECTRIC STRENGTH: 500 VAC min. @ sea level.
 OPERATING TEMPERATURE: -40°C to +85°C
 STORAGE TEMPERATURE: -40°C to +85°C

NOTE: Specifications and materials listed above are for switches with standard options.
 For information on specific and custom switches, consult Customer Service Center.

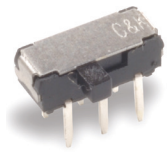
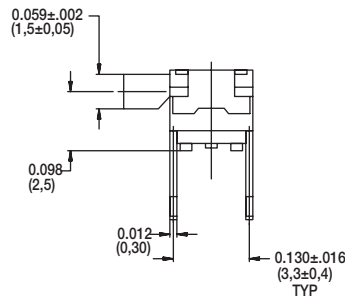
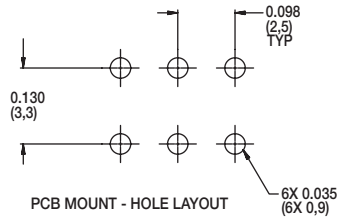
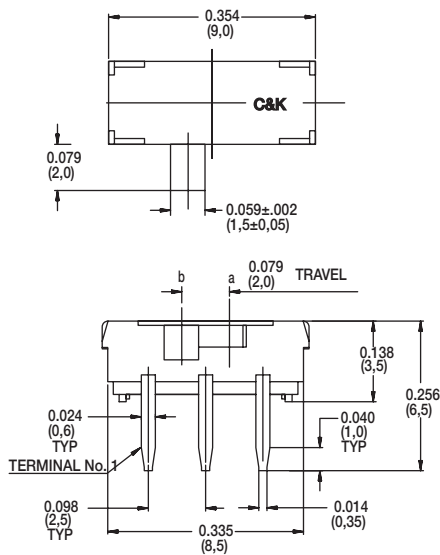
Materials

HOUSING: 4/6 nylon (UL94V-2), black.
 ACTUATOR: 4/6 nylon (UL94V-2), black (some options white).
 CONTACTS: Copper alloy, silver plated.
 TERMINALS: Brass, silver plated



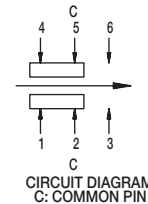
Slide

RIGHT ANGLE, PC THRU-HOLE



Part Number
JS202011AQN
DPDT

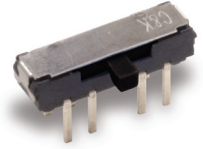
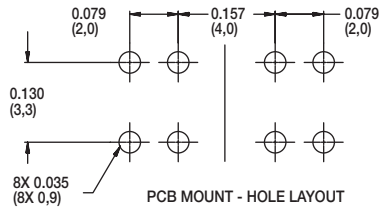
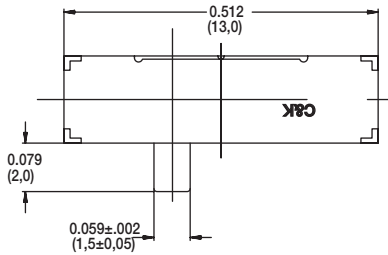
Shown in position b



Shown in position b

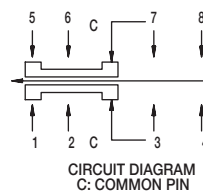
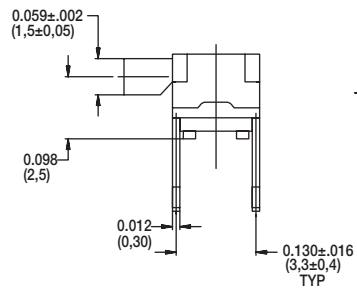
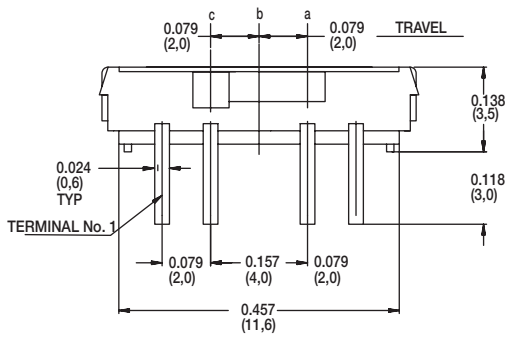
JS Series Sub-Miniature Slide Switches

RIGHT ANGLE, PC THRU-HOLE



Part Number
JS203011AQN
DP3T

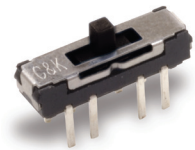
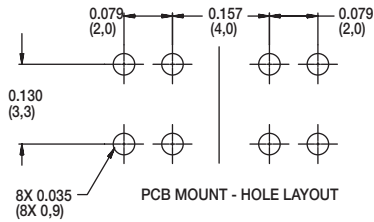
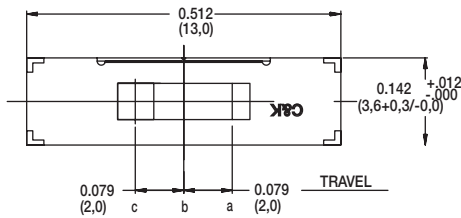
Shown in position b



CIRCUIT DIAGRAM
C: COMMON PIN

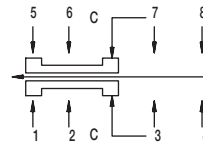
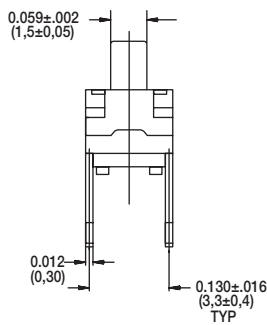
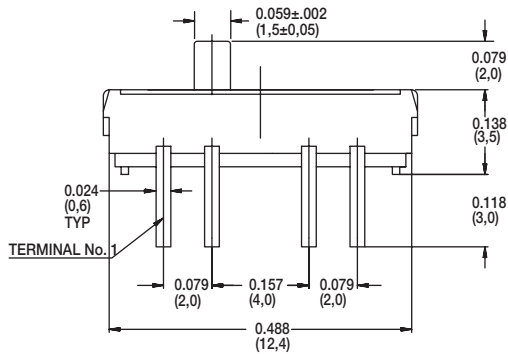
Shown in position c

PC THRU-HOLE



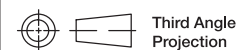
Part Number
JS203011CQN
DP3T

Shown in position b



CIRCUIT DIAGRAM
C: COMMON PIN

Shown in position c



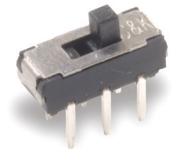
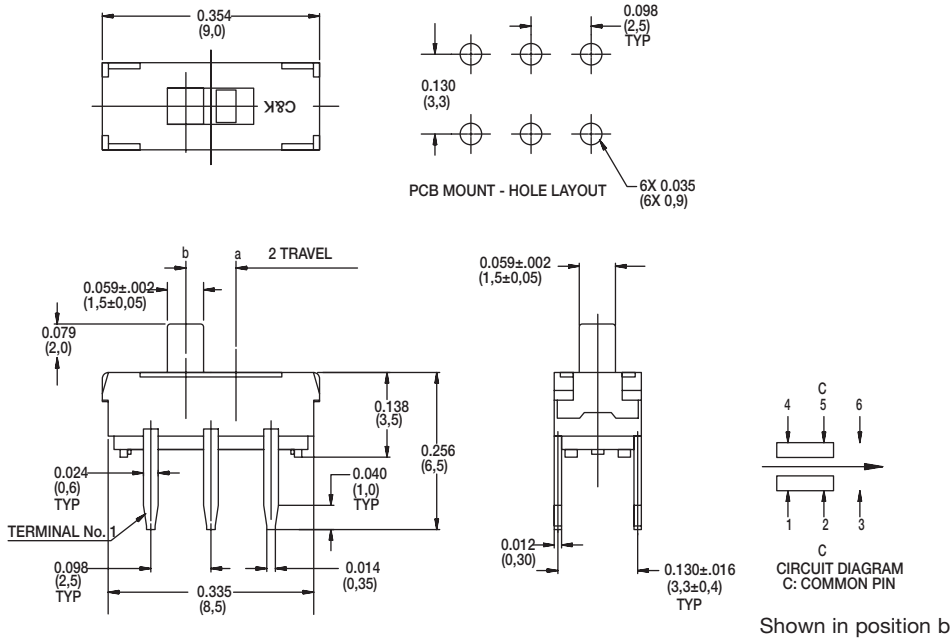
Third Angle
Projection

Dimensions are shown: Inch (mm)
Specifications and dimensions subject to change

Slide

JS Series Sub-Miniature Slide Switches

PC THRU-HOLE



Part Number
JS202011CQN
DPDT

Shown in position a

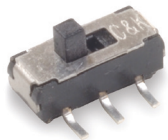
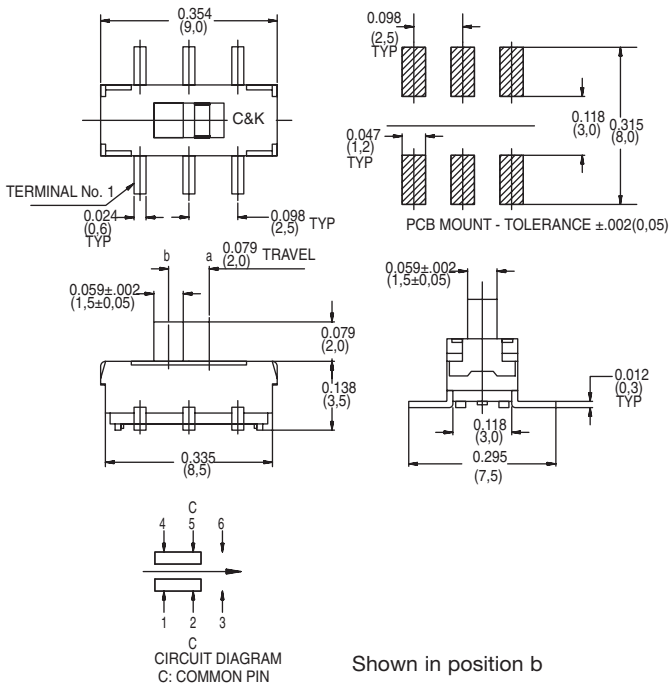


Slide

SURFACE MOUNT

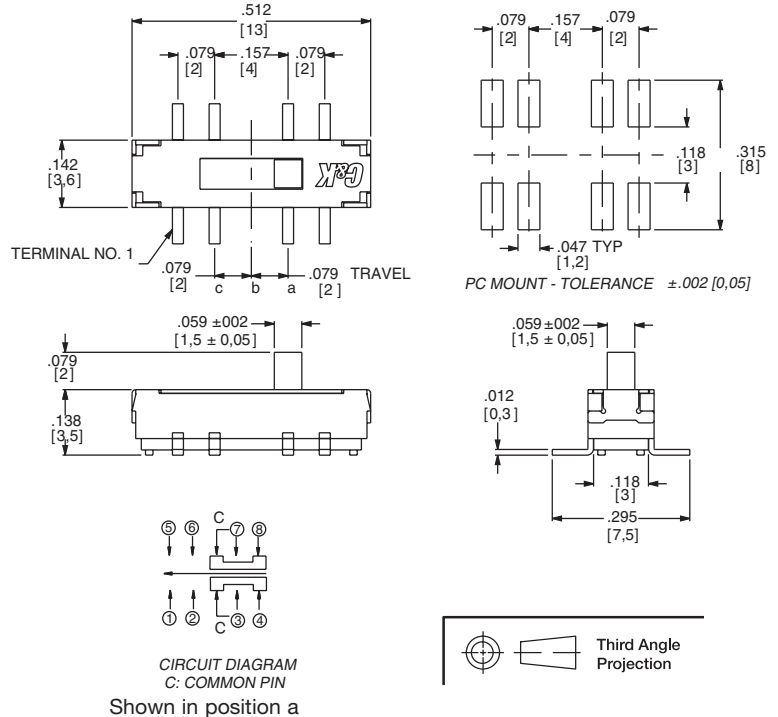
Part number
JS202011SCQN
DPDT

Shown in position b. Quantity per reel 1000
Available in tape & reel only, see page I-58



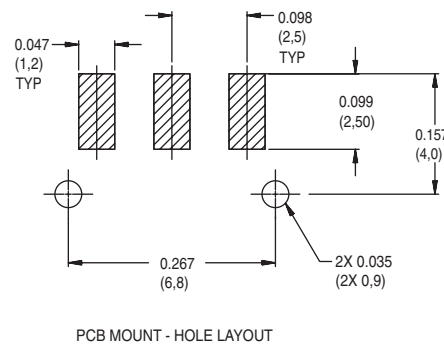
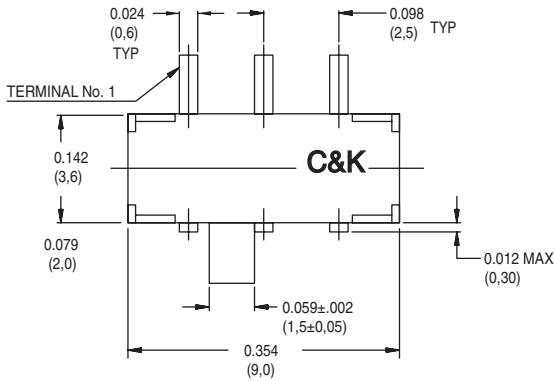
Part number
JS203011SCQN
DP3T

Quantity per reel 900
Available in tape & reel only, see page I-60



JS Series Sub-Miniature Slide Switches

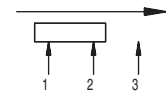
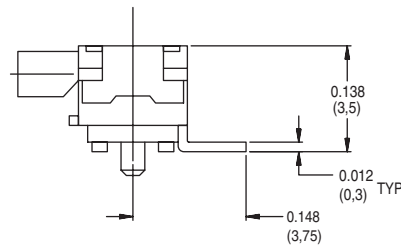
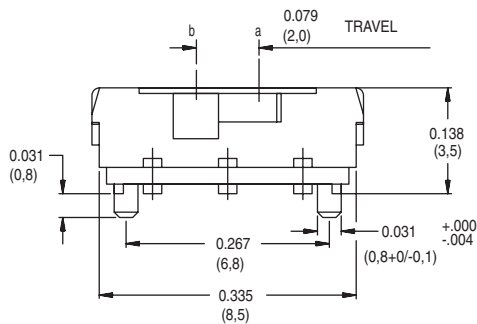
RIGHT ANGLE SURFACE MOUNT



Part Number
JS102011SAQN
SPDT

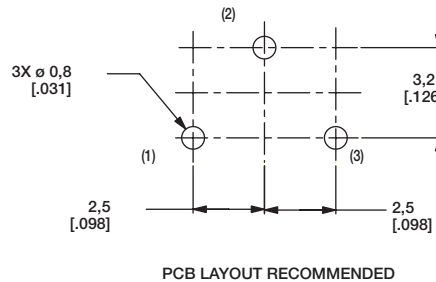
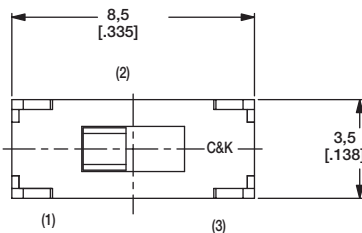
Shown in position a

Available in tape & reel only, see page I-59



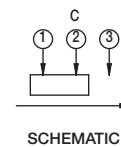
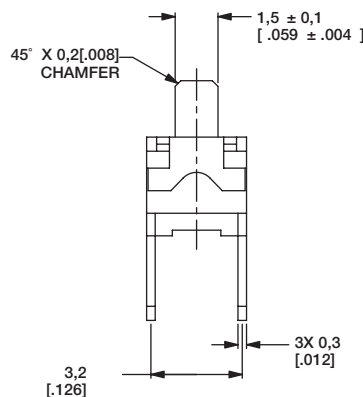
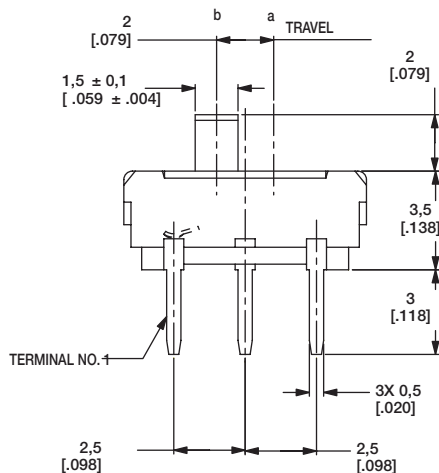
Shown in position b

PC THRU-HOLE

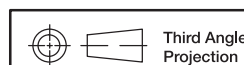


Part Number
JS102011CQN
SPDT

Shown in position a



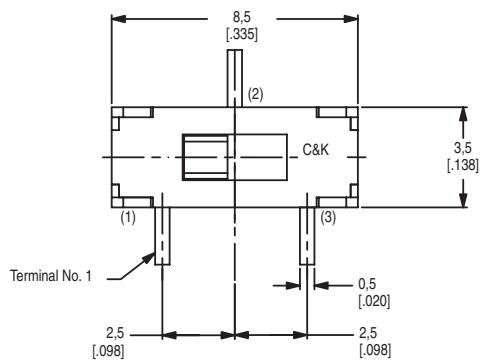
Shown in position b



Dimensions are shown: Inch (mm)
Specifications and dimensions subject to change

JS Series Sub-Miniature Slide Switches

SURFACE MOUNT



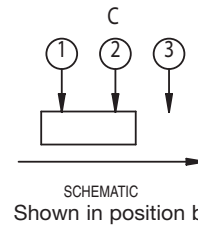
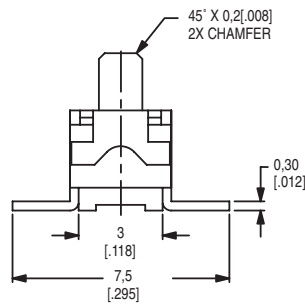
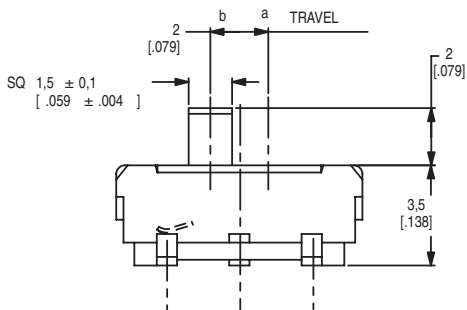
Part Number
JS102011SCQN
SPDT

Shown in position a

Available in tape & reel
only, see page I-59

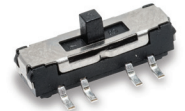
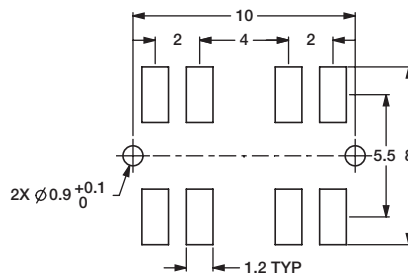
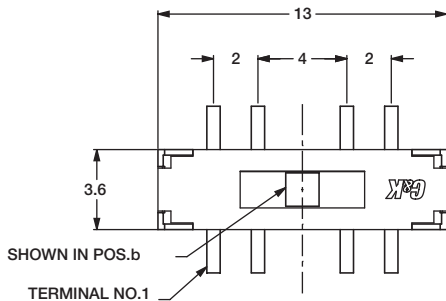


Slide



SURFACE MOUNT

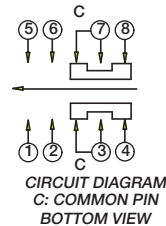
NEW



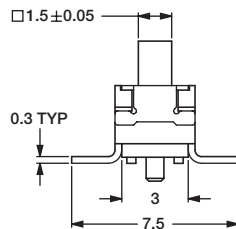
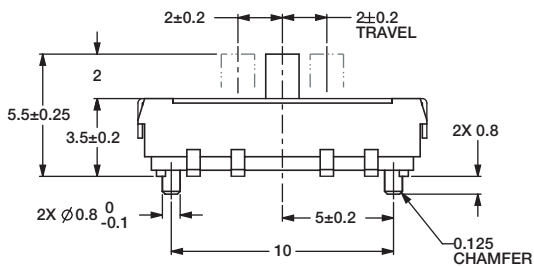
Part Number
JS207011SCQNR
DP3T

Shown in position b

Available in tape & reel
only, see page I-58



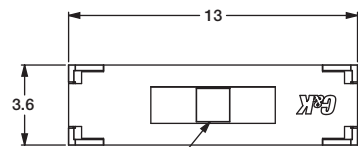
SWITCH FUNCTION		
POS.c	POS.b	POS.a
(MOM)	ON	ON
CONNECTED TERMINALS		
1-3,5-7	2-3,6-7	3-4,7-8



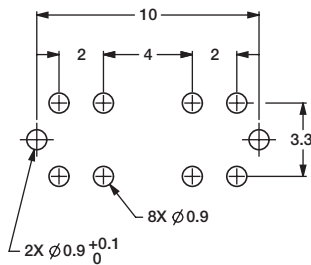
Dimensions are shown: Inches (mm)
Specifications and dimensions subject to change

JS Series Sub-Miniature Slide Switches

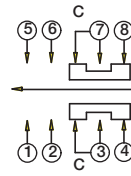
PC THRU-HOLE



SHOWN IN POS.b



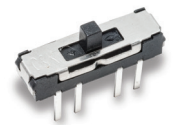
PC MOUNT - TOLERANCE ±.05



CIRCUIT DIAGRAM
C: COMMON PIN
BOTTOM VIEW

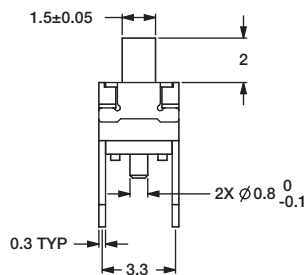
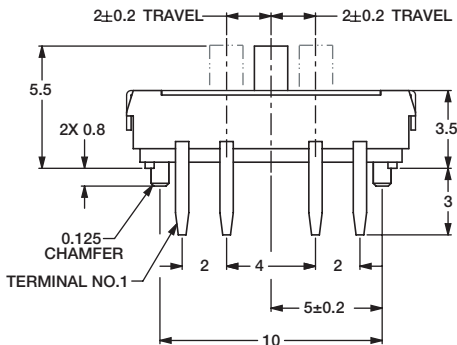
SWITCH FUNCTION		
POS.c	POS.b	POS.a
CONNECTED TERMINALS		
1-3,5-7	2-3,6-7	3-4,7-8

NEW



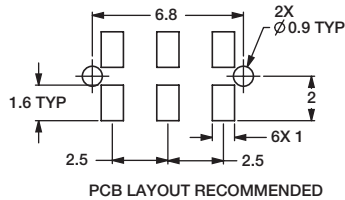
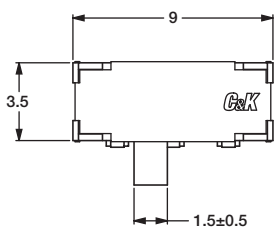
Part Number
JS207011CQNR
DP3T

Shown in position b

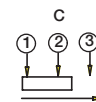


Slide

RIGHT ANGLE SURFACE MOUNT



PCB LAYOUT RECOMMENDED



CIRCUIT DIAGRAM
C: COMMON PIN
BOTTOM VIEW

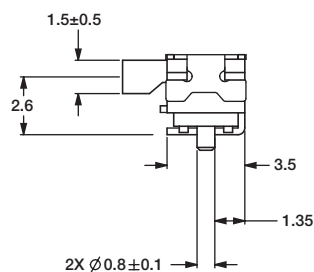
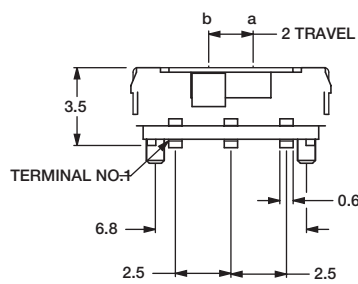
NEW



Part Number
JS102011JAQN
SPDT

Shown in position

Available in tape & reel
only, see page I-59



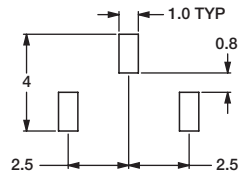
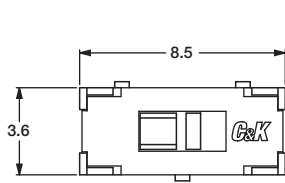
Third Angle
Projection
Dimensions are shown: mm
Specifications and dimensions subject to change



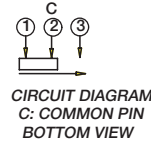
29 jun 16

JS Series Sub-Miniature Slide Switches

VERTICAL MOUNT SMT - J BEND



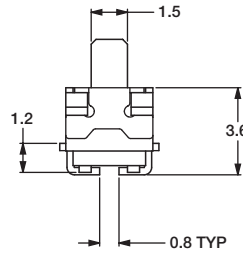
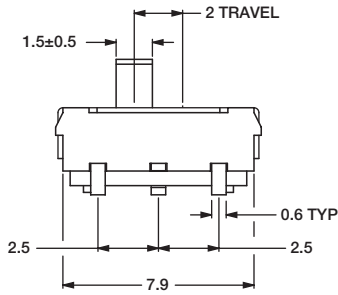
PCB LAYOUT RECOMMENDED



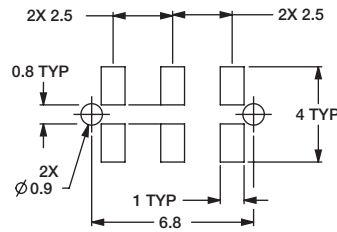
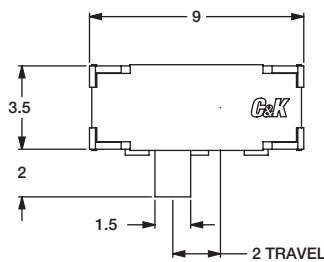
NEW

Part Number
JS102011JCQN
SPDT

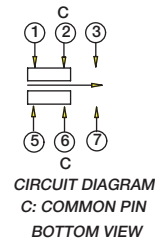
Available in tape & reel
only, see page I-59



RIGHT ANGLE SURFACE MOUNT



PCB LAYOUT RECOMMENDED

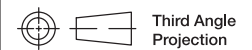
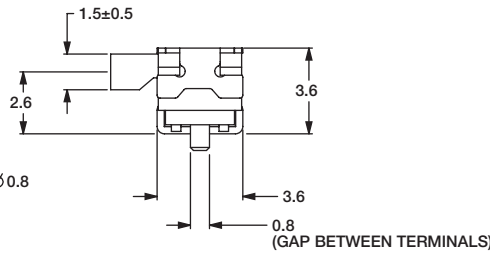
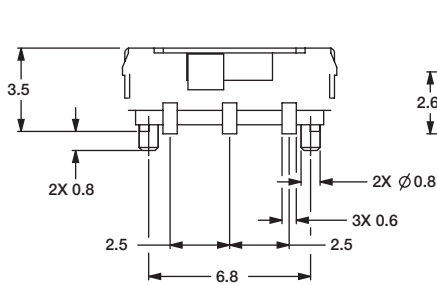


NEW

Part Number
JS202011JAQN
DPDT

Shown in position

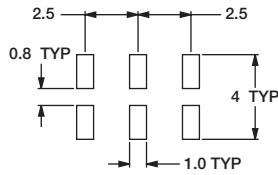
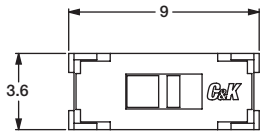
Available in tape & reel
only, see page I-61



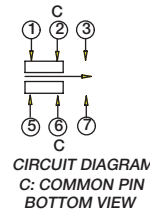
Dimensions are shown: mm
Specifications and dimensions subject to change

JS Series Sub-Miniature Slide Switches

VERTICAL MOUNT SMT - J BEND



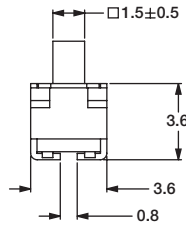
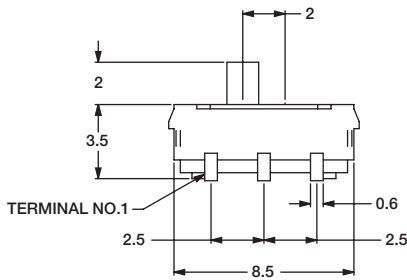
PCB LAYOUT RECOMMENDED



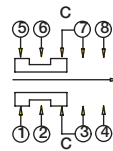
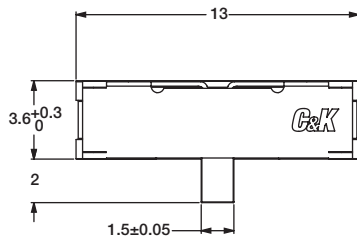
Part Number
JS202011JCQN
DPDT

Shown in position

Available in tape & reel
only, see page I-61



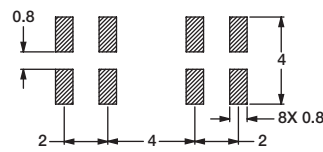
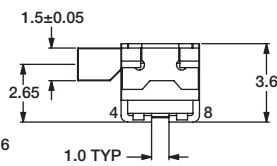
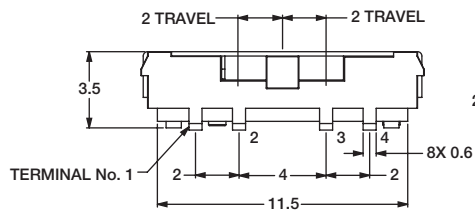
RIGHT ANGLE MOUNT SMT - J BEND



Part Number
JS203011JAQN
DP3T

Shown in position

Available in tape & reel
only, see page I-60



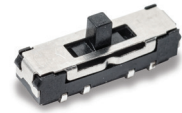
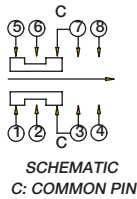
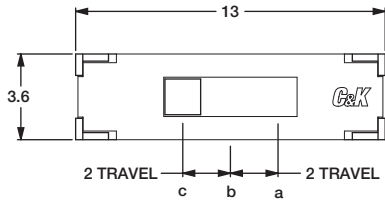
PCB LAYOUT RECOMMENDED

Slide

JS Series Sub-Miniature Slide Switches

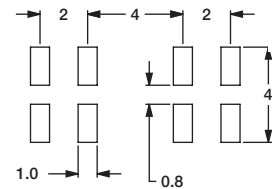
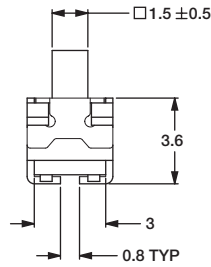
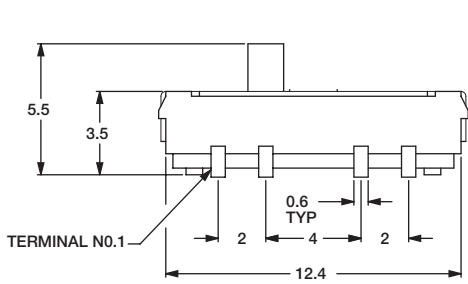
NEW

VERTICAL MOUNT SMT - J BEND



Part Number
JS203011JCQN
DP3T

Available in tape & reel
only, see page I-60



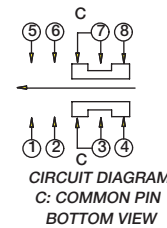
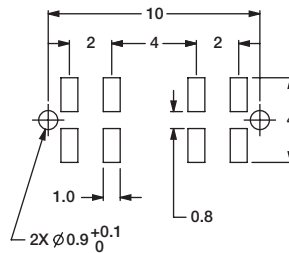
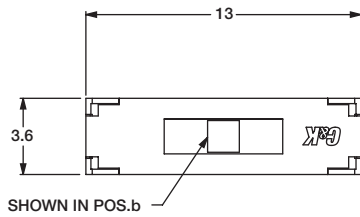
PCB LAYOUT RECOMMENDED



Slide

SURFACE MOUNT - J BEND

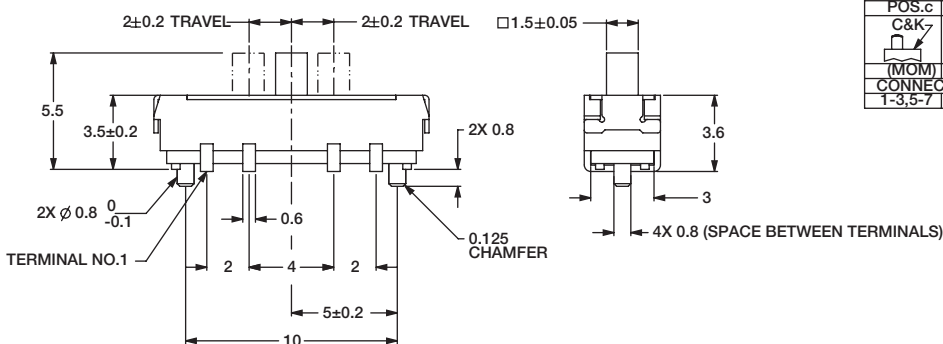
NEW



Part Number
JS207011JCQNR
SP3T

Available in tape & reel
only, see page I-58

PC MOUNT - TOLERANCE ±.05



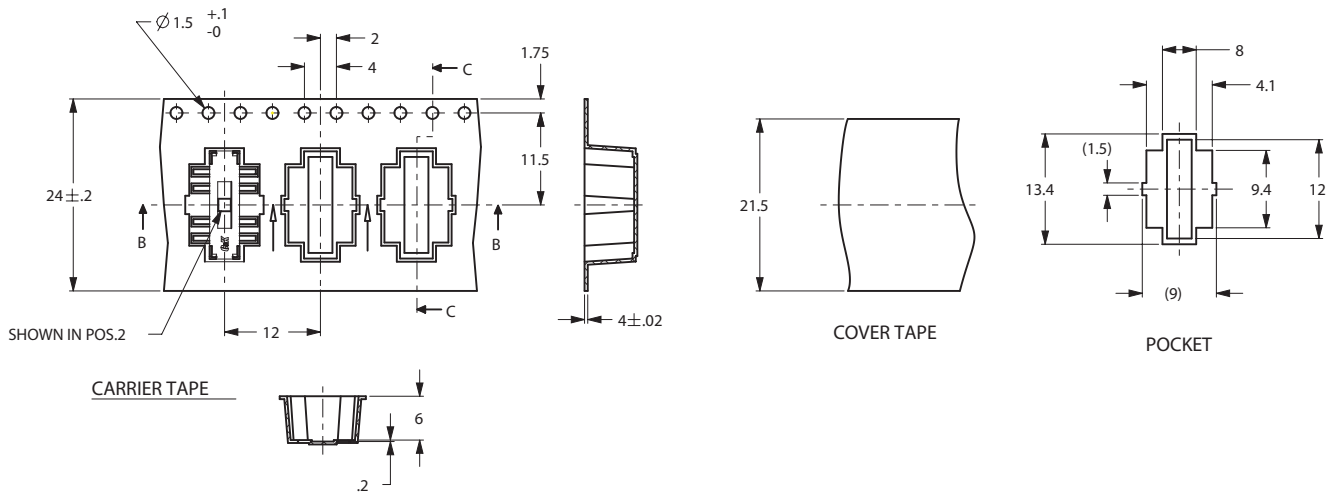
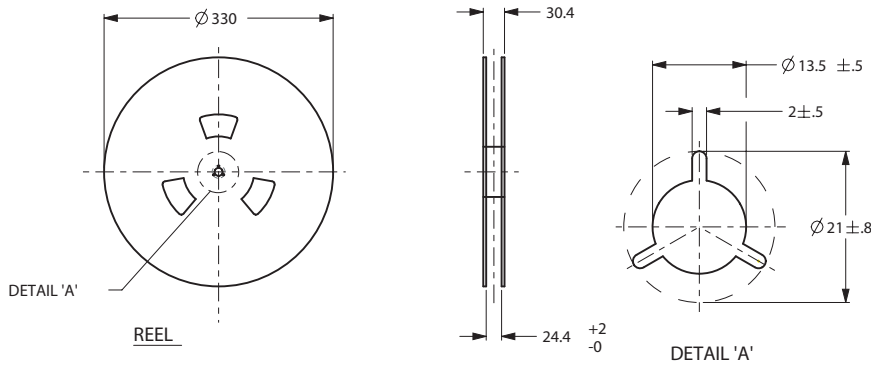
SWITCH FUNCTION		
POS.c	POS.b	POS.a
C&K- (MOM)	C&K- ON	C&K- ON
CONNECTED TERMINALS		
1-3,5-7	2-3,6-7	3-4,7-8

JS Series Sub-Miniature Slide Switches

TAPE AND REEL FOR PART NUMBER JS207011SCQNR, JS207011JCQNR

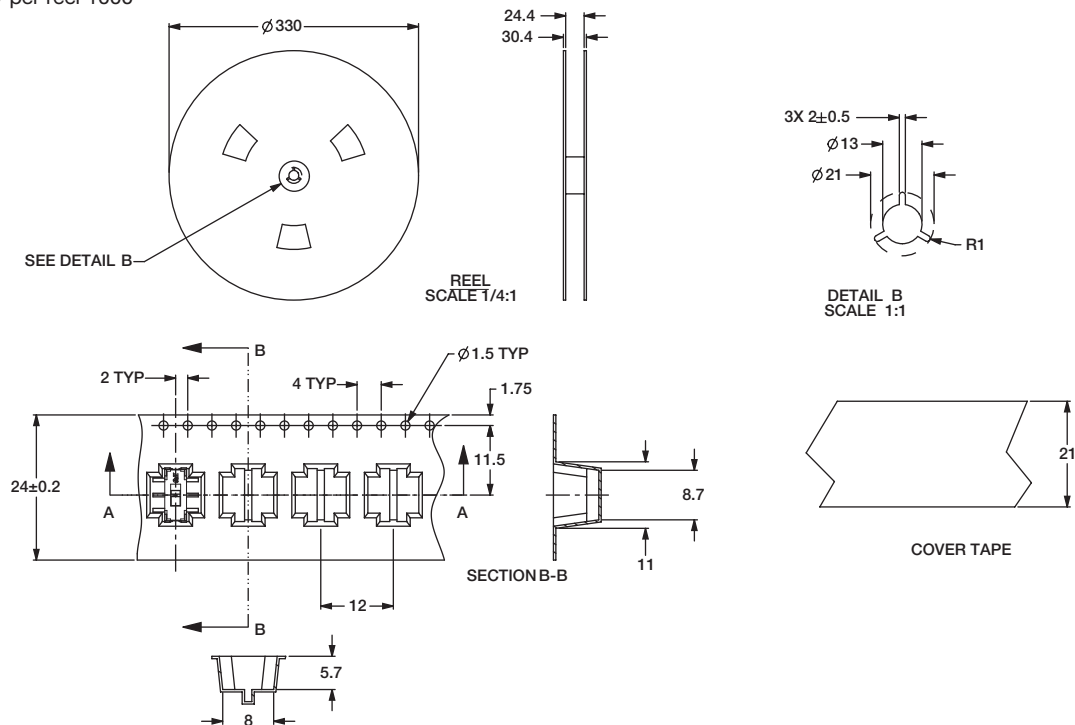
Quantity per reel 800

PACKING DETAIL 800 PCS



TAPE AND REEL FOR PART NUMBER JS202011SCQN

Quantity per reel 1000

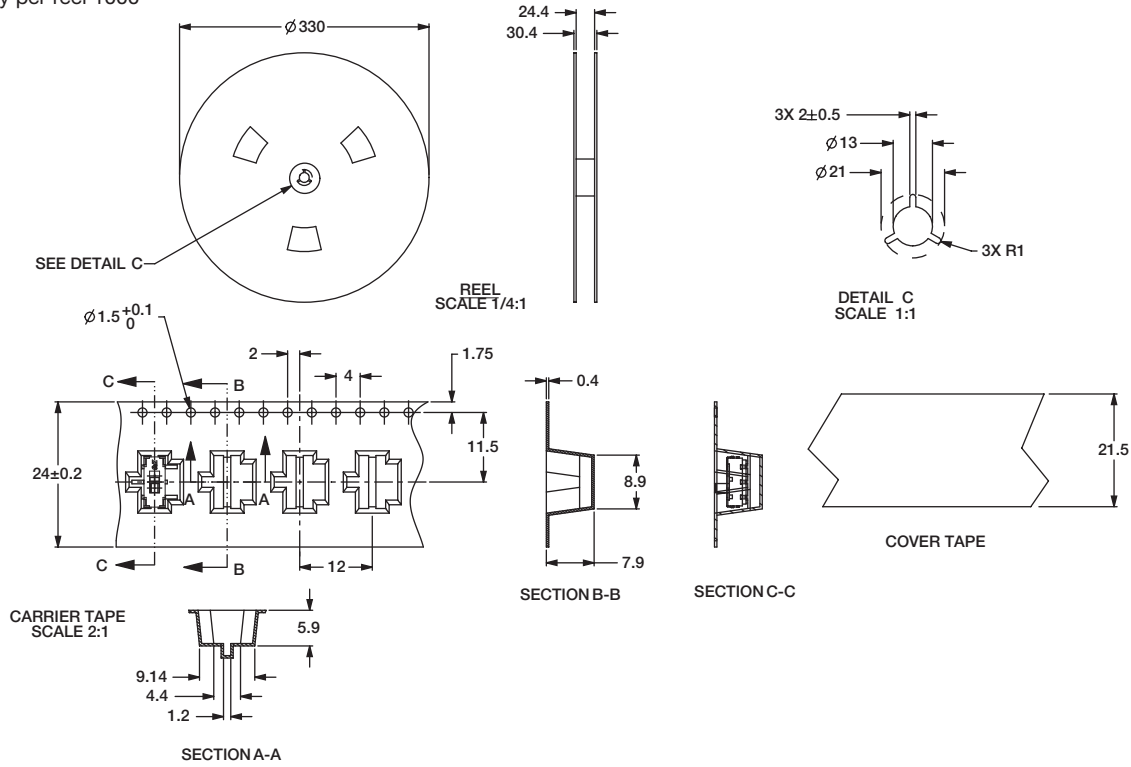


Slide

JS Series Sub-Miniature Slide Switches

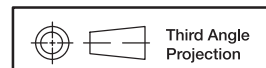
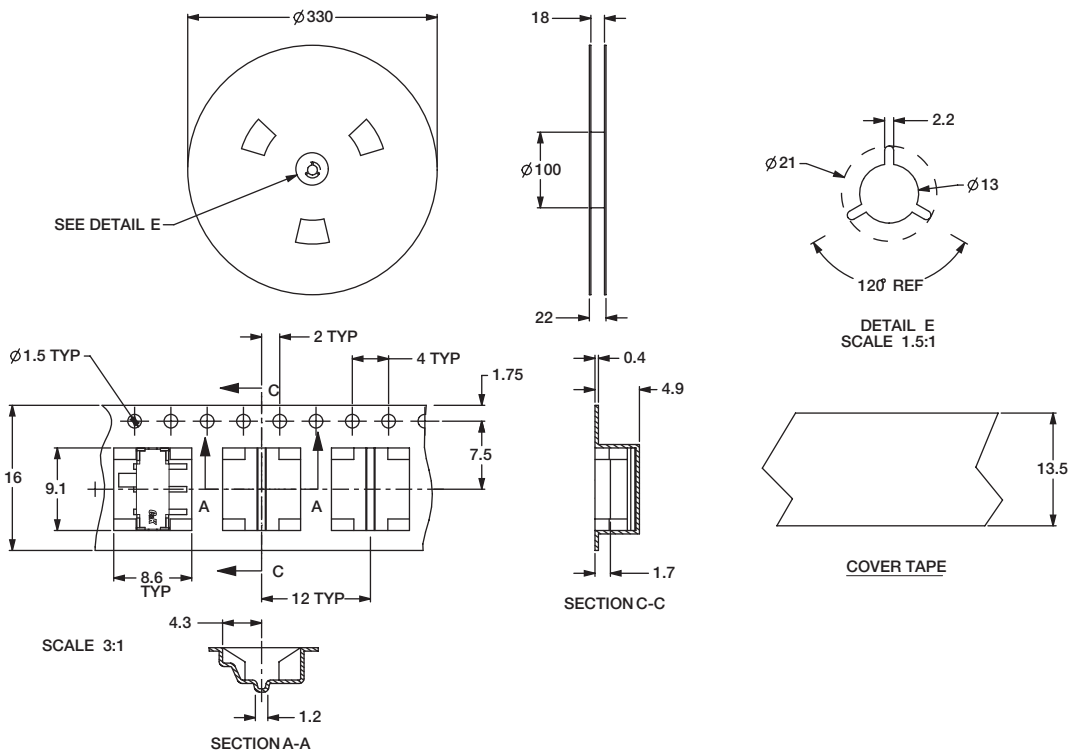
**TAPE AND REEL FOR
PART NUMBER JS102011SCQN, JS102011JCQN**

Quantity per reel 1000



TAPE AND REEL FOR PART NUMBER JS102011SAQN, JS102011JAQN

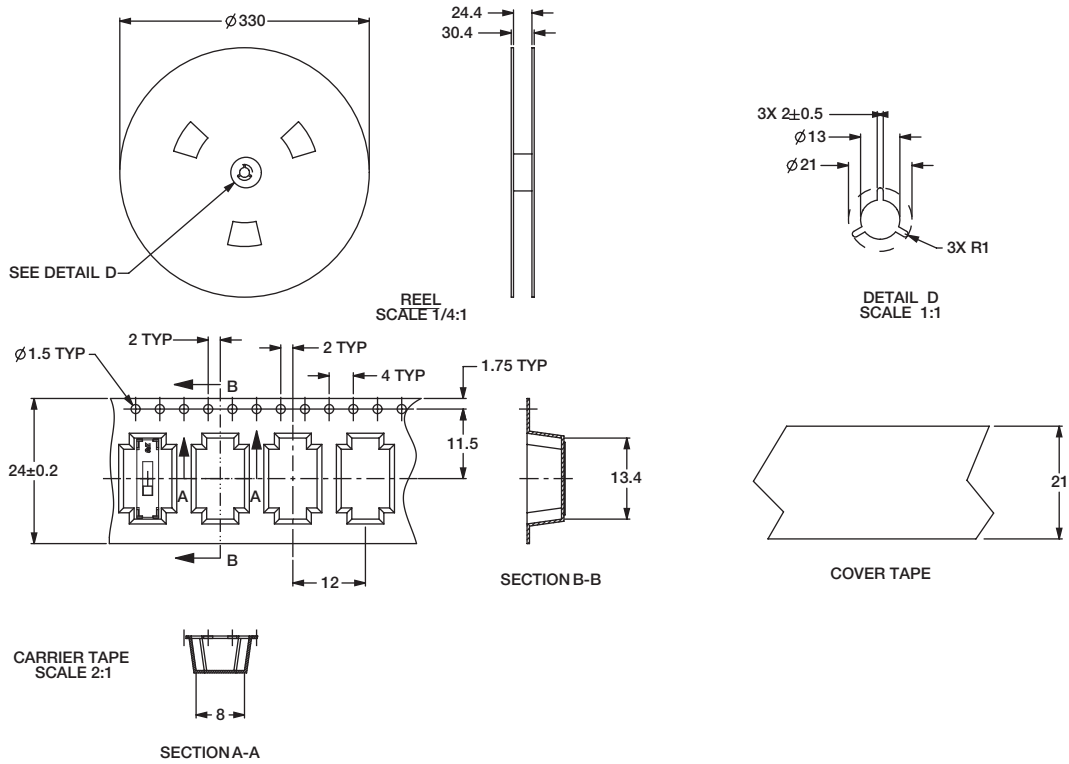
Quantity per reel 1000



Dimensions are shown: mm
Specifications and dimensions subject to change

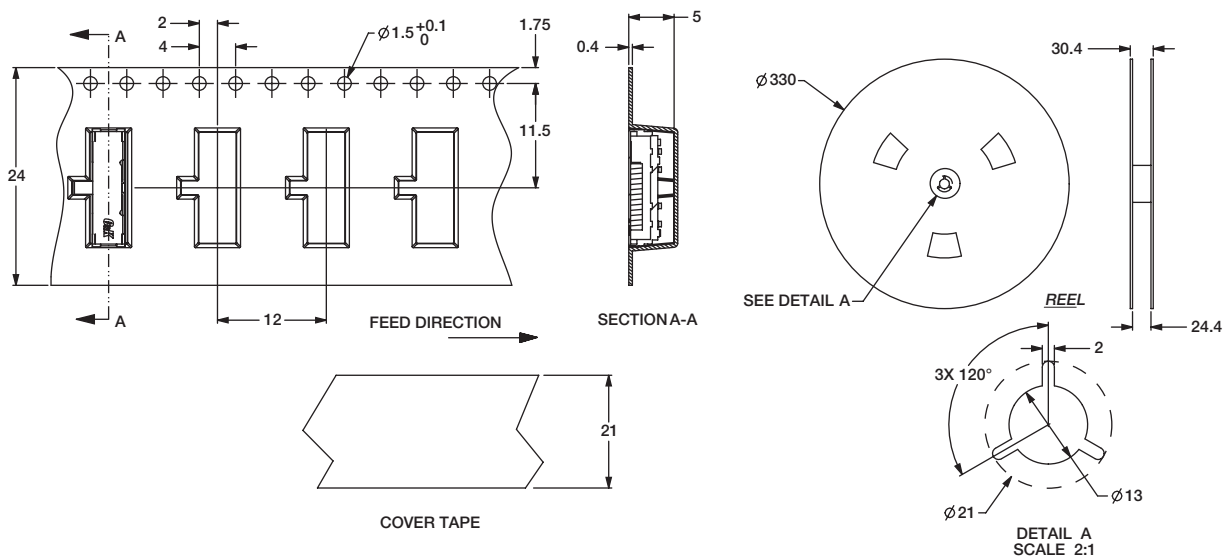
JS Series Sub-Miniature Slide Switches

TAPE AND REEL FOR PART NUMBER JS203011SCQN, JS203011JCQN
Quantity per reel 900



TAPE AND REEL FOR PART NUMBER JS203011JAQN

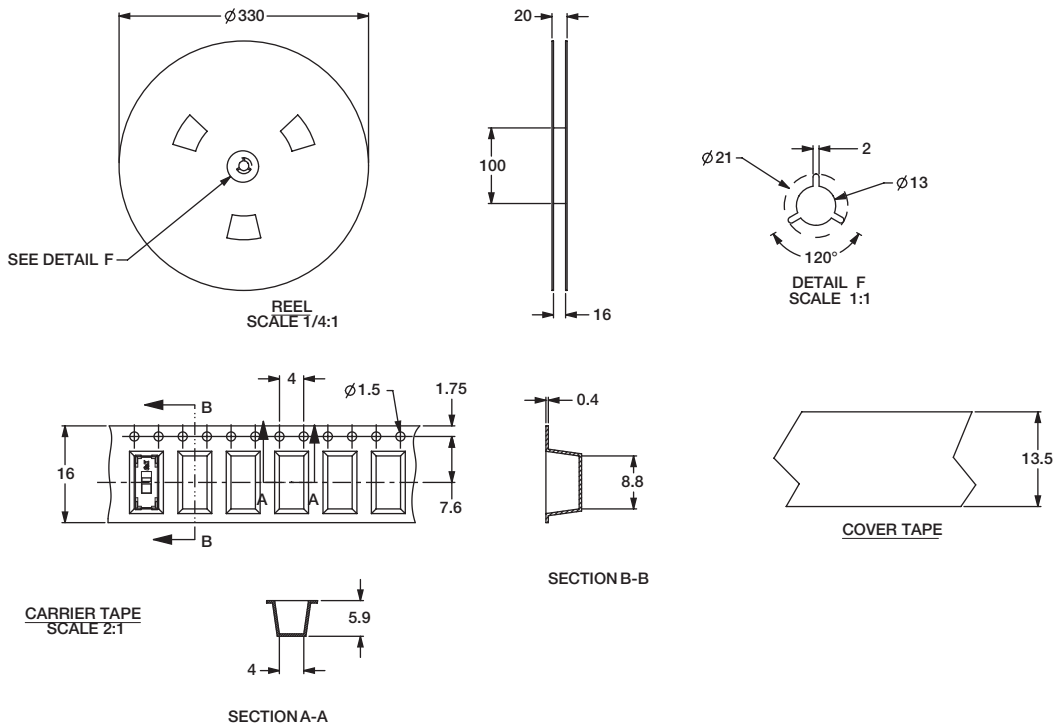
Quantity per reel 1000



JS Series Sub-Miniature Slide Switches

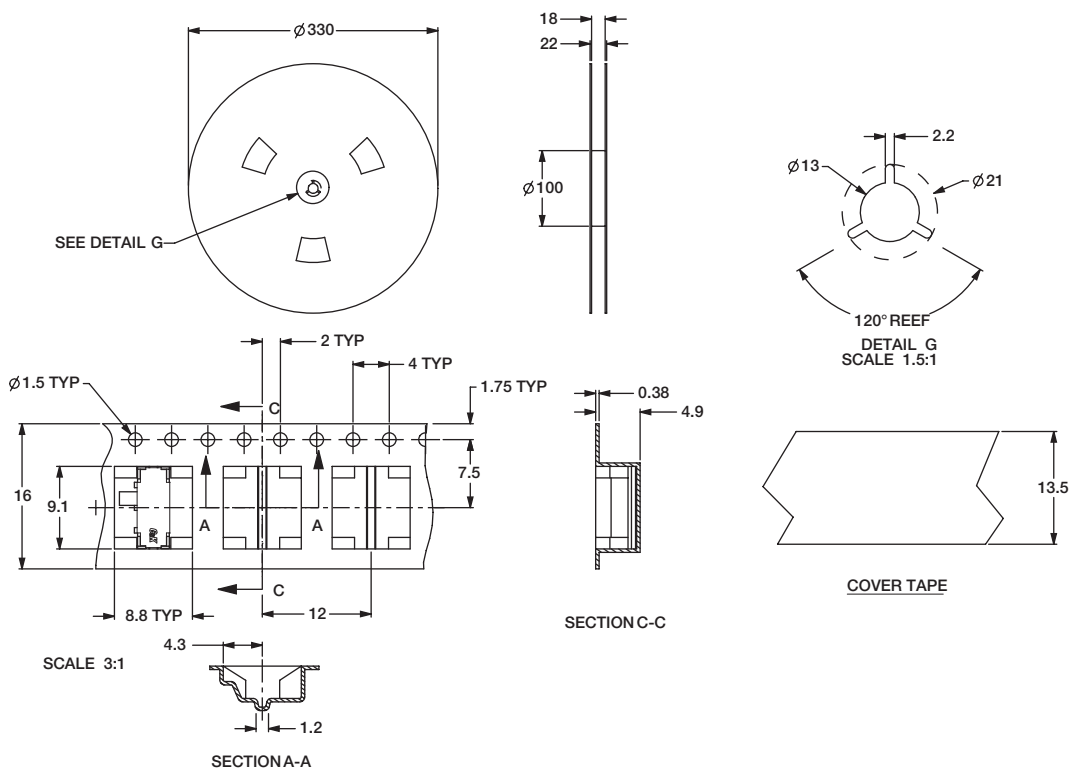
TAPE AND REEL FOR PART NUMBER JS202011JCQN

Quantity per reel 1300



TAPE AND REEL FOR PART NUMBER JS202011JAQN

Quantity per reel 1000



JS Series Sub-Miniature Slide Switches

RIGHT ANGLE SURFACE MOUNT

LOW PROFILE .028±.004 (0.7±0.1) HIGH



Part Number
JS102000SAQN
SPDT

Specifications

CONTACT RATING: 5 VDC @ 1mA

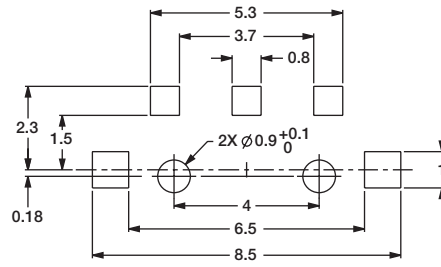
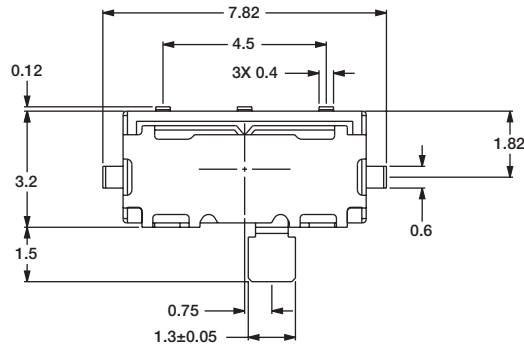
ELECTRICAL LIFE: 15,000 cycles.

CONTACT RESISTANCE: <100 m ohms (initial) <200 m ohms (after processing).

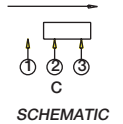
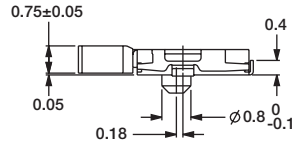
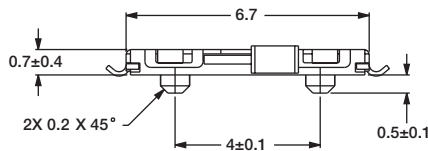
INSULATION RESISTANCE: 100 m ohms @500 VDC.

DIELECTRIC STRENGTH: 250 VAC.

OPERATING TEMPERATURE: -40°C to +85°C



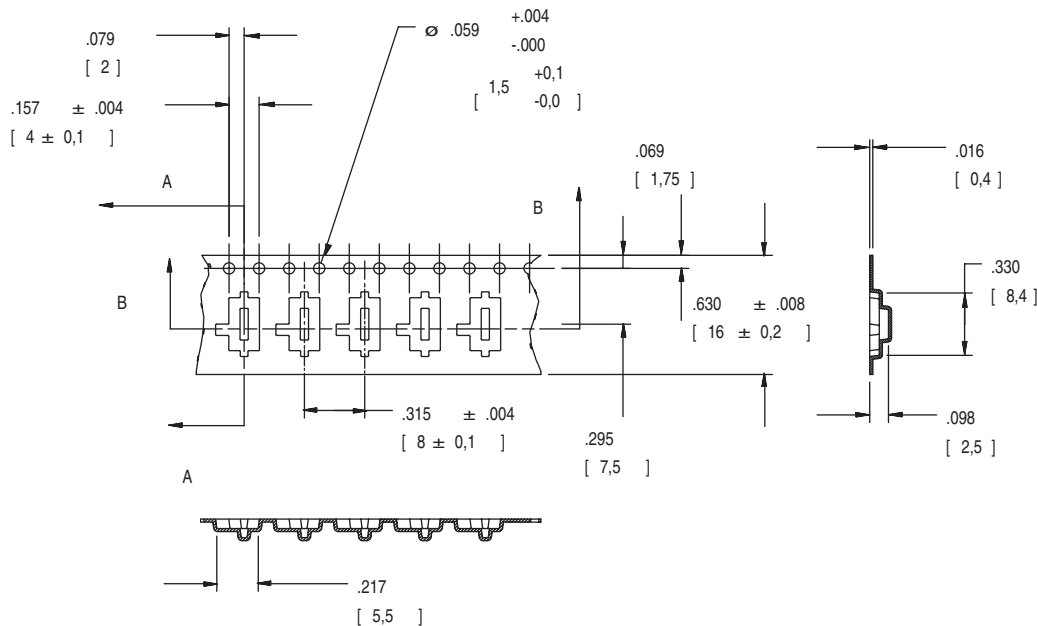
RECOMMENDED PC MOUNTING



SCHEMATIC

TAPE AND REEL FOR PART NUMBER JS102000SAQN

Quantity per reel 4000



Компания «Life Electronics» занимается поставками электронных компонентов импортного и отечественного производства от производителей и со складов крупных дистрибьюторов Европы, Америки и Азии.

С конца 2013 года компания активно расширяет линейку поставок компонентов по направлению коаксиальный кабель, кварцевые генераторы и конденсаторы (керамические, пленочные, электролитические), за счёт заключения дистрибьюторских договоров

Мы предлагаем:

- Конкурентоспособные цены и скидки постоянным клиентам.
- Специальные условия для постоянных клиентов.
- Подбор аналогов.
- Поставку компонентов в любых объемах, удовлетворяющих вашим потребностям.
- Приемлемые сроки поставки, возможна ускоренная поставка.
- Доставку товара в любую точку России и стран СНГ.
- Комплексную поставку.
- Работу по проектам и поставку образцов.
- Формирование склада под заказчика.
- Сертификаты соответствия на поставляемую продукцию (по желанию клиента).
- Тестирование поставляемой продукции.
- Поставку компонентов, требующих военную и космическую приемку.
- Входной контроль качества.
- Наличие сертификата ISO.

В составе нашей компании организован Конструкторский отдел, призванный помогать разработчикам, и инженерам.

Конструкторский отдел помогает осуществить:

- Регистрацию проекта у производителя компонентов.
- Техническую поддержку проекта.
- Защиту от снятия компонента с производства.
- Оценку стоимости проекта по компонентам.
- Изготовление тестовой платы монтаж и пусконаладочные работы.



Тел: +7 (812) 336 43 04 (многоканальный)

Email: org@lifeelectronics.ru