

HPC104N (11.5x10x4)

SMD, Magnetically Shielded Power Inductor

HALO
ELECTRONICS, INC.



Product Features:

- Designed for switch mode power supplies
- Ideal for real estate sensitive applications such as cell phones and disc drives.
- Magnetically shielded design minimizes flux interferences.
- Available in tape and reel packaging.
- Please contact your representative for custom designs.

| Part Number | Inductance (μH) ² | DCR (mΩ) TYP | DCR (mΩ) MAX | Heat Rating Current (ADC) ³ | Saturation Current (ADC) ⁴ | Lead Width ±0.5 |
|----------------|------------------------------|--------------|--------------|--|---------------------------------------|-----------------|
| HPC104N-R22MTR | 0.22 | 0.9 | 1.1 | 35 | 54 | 3.0 |
| HPC104N-R36MTR | 0.36 | 1.0 | 1.3 | 34 | 41 | 3.0 |
| HPC104N-R47MTR | 0.47 | 1.4 | 1.5 | 28 | 36 | 3.0 |
| HPC104N-R56MTR | 0.56 | 1.5 | 1.8 | 25 | 34 | 3.0 |
| HPC104N-R68MTR | 0.68 | 2.4 | 2.7 | 20 | 32 | 3.0 |
| HPC104N-R88MTR | 0.88 | 2.1 | 2.4 | 21 | 32 | 3.0 |
| HPC104N-1R0MTR | 1.0 | 3 | 3.3 | 19 | 26 | 3.0 |
| HPC104N-1R5MTR | 1.5 | 3.8 | 4.2 | 16 | 20 | 3.0 |
| HPC104N-2R2MTR | 2.2 | 6.6 | 7 | 12 | 18 | 1.8 |
| HPC104N-3R3MTR | 3.3 | 9.5 | 13 | 10 | 14 | 1.8 |
| HPC104N-4R7MTR | 4.7 | 13 | 15.5 | 9 | 12 | 1.8 |
| HPC104N-5R6MTR | 5.6 | 18.4 | 20 | 7 | 12 | 1.8 |
| HPC104N-6R8MTR | 6.8 | 20 | 22 | 7 | 11 | 1.8 |
| HPC104N-8R2MTR | 8.2 | 23.2 | 25.5 | 7 | 10 | 1.8 |
| HPC104N-10RMTR | 10.0 | 32.1 | 35 | 5 | 9 | 1.8 |

Notes:

1. Operating Temperature: -55°C to +125°C
2. Inductance tolerance (100kHz, 0.25V, 0ADC): ±20%
3. DC current that will cause approximate 40°C rise in temperature
4. DC current that will cause inductance (L) drop by 20% from nominal
5. Part temperature (ambient + temp rise) should not exceed 125°C under worst case operating conditions
6. Frequency range up to 1.0 MHz

HPC104N (11.5x10x4)

Package Dimensions (mm)



See product table for W dimension



Tape & Reel Specifications

HPC104N-

700 PARTS PER REEL

CARRIER TAPE DIMENSIONS (mm)



REEL DIMENSIONS (mm)



2880 Lakeside Drive #116
 Santa Clara, CA 95054
 (650) 903-3800
www.haloelectronics.com

HALO® Electronics is a leading supplier of high quality communication magnetics including signal transformers, filters, CMR chokes, PoE power transformers, DC/DC converters, and integrated Ethernet connectors. HALO's leading edge technology solutions are manufactured in ISO9001 and ISO14001 factories offering high quality products at a competitive price.

HPC073N (7.5x6.5x3)

SMD, Magnetically Shielded Power Inductor

HALO
ELECTRONICS, INC.



Product Features:

- Designed for switch mode power supplies
- Ideal for real estate sensitive applications such as cell phones and disc drives.
- Magnetically shielded design minimizes flux interferences.
- Available in tape and reel packaging.
- Please contact your representative for custom designs.

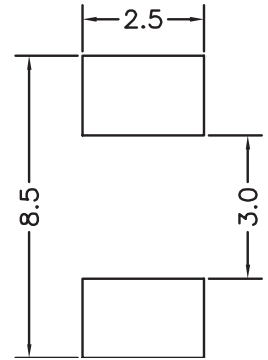
| Part Number | Inductance (μH) ² | DCR (m Ω) | | Heat Rating Current (ADC) ³ | Saturation Current (ADC) ⁴ |
|----------------|--|-------------------|-----|---|--|
| | | TYP | MAX | | |
| HPC073N-R22MTR | 0.22 | 2.3 | 2.7 | 20 | 34 |
| HPC073N-R33MTR | 0.33 | 2.8 | 3.4 | 18 | 22 |
| HPC073N-R36MTR | 0.36 | 2.8 | 3.4 | 18 | 22 |
| HPC073N-R47MTR | 0.47 | 3.7 | 4.4 | 17 | 20 |
| HPC073N-R56MTR | 0.56 | 3.8 | 4.5 | 16 | 17 |
| HPC073N-R68MTR | 0.68 | 4.5 | 5 | 14 | 17 |
| HPC073N-R82MTR | 0.82 | 5.8 | 6.1 | 13 | 17 |
| HPC073N-1R0MTR | 1.0 | 6.3 | 7 | 12 | 15 |
| HPC073N-1R5MTR | 1.5 | 8 | 10 | 11 | 13 |
| HPC073N-2R2MTR | 2.2 | 17.5 | 19 | 7 | 11 |
| HPC073N-3R3MTR | 3.3 | 20 | 24 | 7 | 9 |
| HPC073N-4R7MTR | 4.7 | 26 | 29 | 5.3 | 7 |
| HPC073N-5R6MTR | 5.6 | 38 | 40 | 4.5 | 6 |
| HPC073N-6R8MTR | 6.8 | 40 | 42 | 4.5 | 5.5 |
| HPC073N-8R2MTR | 8.2 | 42 | 45 | 4.2 | 5 |

Notes:

1. Operating Temperature: -55°C to +125°C
2. Inductance tolerance (100kHz, 0.25V, 0ADC): $\pm 20\%$
3. DC current that will cause approximate 40°C rise in temperature
4. DC current that will cause inductance (L) drop by 20% from nominal
5. Part temperature (ambient + temp rise) should not exceed 125°C under worst case operating conditions
6. Frequency range up to 1.0 MHz

HPC073N (7.5x6.5x3)

Package Dimensions (mm)



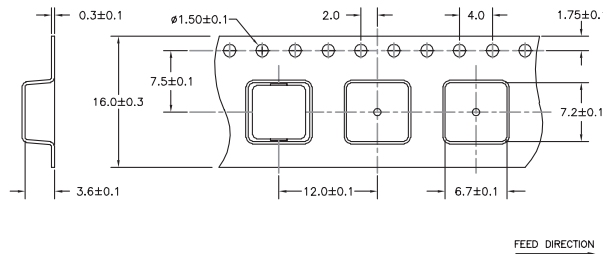
Recommended Solder Pad

Tape & Reel Specifications

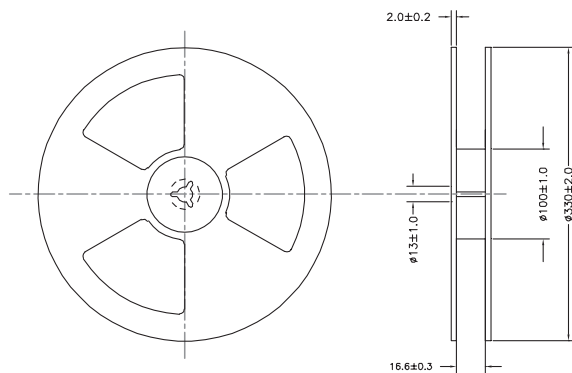
HPC073N-

1000 PARTS PER REEL

CARRIER TAPE DIMENSIONS (mm)



REEL DIMENSIONS (mm)



HALO
ELECTRONICS, INC.

2880 Lakeside Drive #116
Santa Clara, CA 95054
(650) 903-3800

www.haloelectronics.com

HALO® Electronics is a leading supplier of high quality communication magnetics including signal transformers, filters, CMR chokes, PoE power transformers, DC/DC converters, and integrated Ethernet connectors. HALO's leading edge technology solutions are manufactured in ISO9001 and ISO14001 factories offering high quality products at a competitive price.

HPC042N (4.8x4x2)

SMD, Magnetically Shielded Power Inductor

HALO
ELECTRONICS, INC.



Product Features:

- Designed for switch mode power supplies
- Ideal for real estate sensitive applications such as cell phones and disc drives.
- Magnetically shielded design minimizes flux interferences.
- Available in tape and reel packaging.
- Please contact your representative for custom designs.

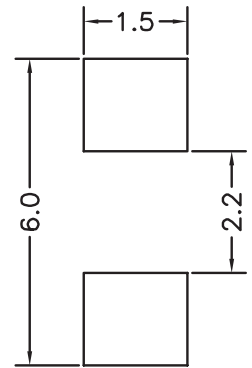
| Part Number | Inductance (μH) ² | DCR (m Ω) | | Heat Rating Current (ADC) ³ | Saturation Current (ADC) ⁴ |
|----------------|--|-------------------|------|---|--|
| | | TYP | MAX | | |
| HPC042N-R22MTR | 0.22 | 7.8 | 9.3 | 9 | 14 |
| HPC042N-R36MTR | 0.36 | 9.5 | 12 | 8 | 11 |
| HPC042N-R47MTR | 0.47 | 10 | 13 | 7 | 10 |
| HPC042N-R56MTR | 0.56 | 11.8 | 13.5 | 7 | 8 |
| HPC042N-R68MTR | 0.68 | 13.5 | 16 | 6.3 | 7 |
| HPC042N-R82MTR | 0.82 | 16 | 18 | 5.5 | 6.5 |
| HPC042N-R88MTR | 0.88 | 16 | 18 | 5.5 | 6.5 |
| HPC042N-1R0MTR | 1.0 | 18 | 21.6 | 5 | 6 |
| HPC042N-1R2MTR | 1.2 | 19 | 22 | 5 | 5 |
| HPC042N-1R5MTR | 1.5 | 22 | 26 | 5 | 5 |
| HPC042N-2R2MTR | 2.2 | 33 | 40 | 4.5 | 5 |
| HPC042N-3R3MTR | 3.3 | 42 | 48 | 3.6 | 4.3 |
| HPC042N-4R7MTR | 4.7 | 68 | 75 | 2.7 | 4 |

Notes:

1. Operating Temperature: -55°C to +125°C
2. Inductance tolerance (100kHz, 0.25V, 0ADC): $\pm 20\%$
3. DC current that will cause approximate 40°C rise in temperature
4. DC current that will cause inductance (L) drop by 20% from nominal
5. Part temperature (ambient + temp rise) should not exceed 125°C under worst case operating conditions
6. Frequency range up to 1.0 MHz

HPC042N (4.8x4x2)

Package Dimensions (mm)



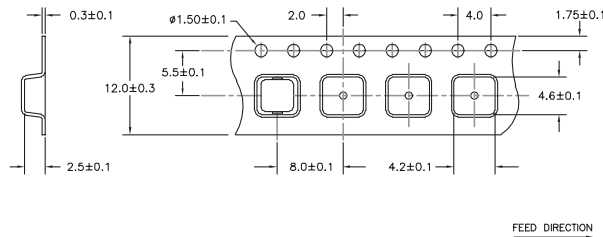
Recommended Solder Pad

Tape & Reel Specifications

HPC042N-

2000 PARTS PER REEL

CARRIER TAPE DIMENSIONS (mm)



REEL DIMENSIONS (mm)



2880 Lakeside Drive #116
 Santa Clara, CA 95054
 (650) 903-3800
www.haloelectronics.com

HALO® Electronics is a leading supplier of high quality communication magnetics including signal transformers, filters, CMR chokes, PoE power transformers, DC/DC converters, and integrated Ethernet connectors. HALO's leading edge technology solutions are manufactured in ISO9001 and ISO14001 factories offering high quality products at a competitive price.

Компания «Life Electronics» занимается поставками электронных компонентов импортного и отечественного производства от производителей и со складов крупных дистрибьюторов Европы, Америки и Азии.

С конца 2013 года компания активно расширяет линейку поставок компонентов по направлению коаксиальный кабель, кварцевые генераторы и конденсаторы (керамические, пленочные, электролитические), за счёт заключения дистрибьюторских договоров

Мы предлагаем:

- Конкурентоспособные цены и скидки постоянным клиентам.
- Специальные условия для постоянных клиентов.
- Подбор аналогов.
- Поставку компонентов в любых объемах, удовлетворяющих вашим потребностям.
- Приемлемые сроки поставки, возможна ускоренная поставка.
- Доставку товара в любую точку России и стран СНГ.
- Комплексную поставку.
- Работу по проектам и поставку образцов.
- Формирование склада под заказчика.
- Сертификаты соответствия на поставляемую продукцию (по желанию клиента).
- Тестирование поставляемой продукции.
- Поставку компонентов, требующих военную и космическую приемку.
- Входной контроль качества.
- Наличие сертификата ISO.

В составе нашей компании организован Конструкторский отдел, призванный помогать разработчикам, и инженерам.

Конструкторский отдел помогает осуществить:

- Регистрацию проекта у производителя компонентов.
- Техническую поддержку проекта.
- Защиту от снятия компонента с производства.
- Оценку стоимости проекта по компонентам.
- Изготовление тестовой платы монтаж и пусконаладочные работы.



Тел: +7 (812) 336 43 04 (многоканальный)

Email: org@lifeelectronics.ru