



FCIconnect.com

Copyright FCI.

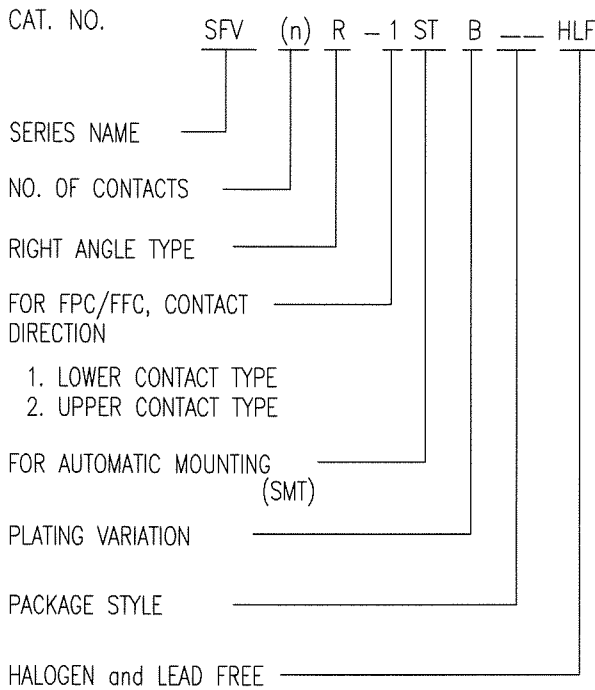
List of "SFV__R-1/2STBE1HLF" customer document

| DOCUMENT NO. | LIST |
|--------------|---|
| SC-SFV08 | SPEC. |
| JSA 97501 | CAT.NO.TABLE FOR 0.5mm CONTACT SPACING CONNECTOR (SFV__R-1/2STB_HLF) |
| JSA 97502 | CONNECTOR USED FOR FPC/FFC WITH 0.5mm CONTACT SPACING (SFV__R-1STB_HLF) |
| JSA 97503 | CONNECTOR USED FOR FPC/FFC WITH 0.5mm CONTACT SPACING (SFV__R-2STB_HLF) |
| JSA 97504 | CAT.NO.TABLE FOR PLASTIC TAPE PACKAGED 0.5mm CONTACT SPACING CONNECTOR (SFV__R-1/2STBE1HLF) |
| JSA 97505 | PLASTIC TAPE PACKAGED 0.5mm CONTACT SPACING CONNECTOR (SFV__R-1STBE1HLF) |
| JSA 97506 | PLASTIC TAPE PACKAGED 0.5mm CONTACT SPACING CONNECTOR (SFV__R-2STBE1HLF) |
| JSA96019 | RECOMMENDED CABLE (FPC) (SFV__R-1/2ST__LF) |
| JSA97202 | RECOMMENDED CABLE (FFC) (SFV__R-1/2ST__) |
| BUM-SFV101 | HANDLING PROCEDURES |

| | | | | | | | | | | | | | | | |
|-------------|--|--------------------|--|---|--|----------------------------------|--|---------------------------------------|--|--|--|---------------------|--|----------|--|
| mat'l. code | | | | surface ISO 1302 <input checked="" type="checkbox"/> | | tolerance ISO 406 ISO 1101 | | projection | | product family 58EF | | CODE JP | | | |
| ltr A | | ecn no J09-0075 | | dr S.W | | date '09/2/19 | | tolerances unless otherwise specified | | title 0.5mm SPACING FPC CONNECTOR DOCUMENT LIST (Cat. No. : SFV__R-1/2STBE1HLF) | | | | | |
| | | | | angles | | linear | | mm | | scale \times | | dwg no JSA 97500 | | | |
| | | | | dr <i>S. W. [Signature]</i> | | 2009-2-19 | | | | sheet 1 of 1 | | size A4 | | | |
| | | | | enr <i>S. W. [Signature]</i> | | 2009-2-19 | | | | type Product Customer Drawing | | | | Rev A | |
| | | | | chr <i>M. YAMAUCHI</i> | | 2009-2-19 | | | | | | | | | |
| sheet index | | revision sheet | | A | | 1 | | | | | | | | | |

CAT. NO. & DIMENSIONS

| NO. OF CONTACTS (n) | CAT. NO. | DIMENSIONS (NOTE2) | | | |
|---------------------|--------------------|--------------------|---------|---------|---------|
| | | A ± 0.2 | B ± 0.2 | C ± 0.1 | D ± 0.1 |
| 4 | SFV4R-1/2STB__HLF | 7.5 | 5.9 | 1.5 | 2.7 |
| 5 | SFV5R-1/2STB__HLF | 8.0 | 6.4 | 2.0 | 3.2 |
| 6 | SFV6R-1/2STB__HLF | 8.5 | 6.9 | 2.5 | 3.7 |
| 7 | SFV7R-1/2STB__HLF | 9.0 | 7.4 | 3.0 | 4.2 |
| 8 | SFV8R-1/2STB__HLF | 9.5 | 7.9 | 3.5 | 4.7 |
| 9 | SFV9R-1/2STB__HLF | 10.0 | 8.4 | 4.0 | 5.2 |
| 10 | SFV10R-1/2STB__HLF | 10.5 | 8.9 | 4.5 | 5.7 |
| 11 | SFV11R-1/2STB__HLF | 11.0 | 9.4 | 5.0 | 6.2 |
| 12 | SFV12R-1/2STB__HLF | 11.5 | 9.9 | 5.5 | 6.7 |
| 13 | SFV13R-1/2STB__HLF | 12.0 | 10.4 | 6.0 | 7.2 |
| 14 | SFV14R-1/2STB__HLF | 12.5 | 10.9 | 6.5 | 7.7 |
| 15 | SFV15R-1/2STB__HLF | 13.0 | 11.4 | 7.0 | 8.2 |
| 16 | SFV16R-1/2STB__HLF | 13.5 | 11.9 | 7.5 | 8.7 |
| 17 | SFV17R-1/2STB__HLF | 14.0 | 12.4 | 8.0 | 9.2 |
| 18 | SFV18R-1/2STB__HLF | 14.5 | 12.9 | 8.5 | 9.7 |
| 19 | SFV19R-1/2STB__HLF | 15.0 | 13.4 | 9.0 | 10.2 |
| 20 | SFV20R-1/2STB__HLF | 15.5 | 13.9 | 9.5 | 10.7 |
| 21 | SFV21R-1/2STB__HLF | 16.0 | 14.4 | 10.0 | 11.2 |
| 22 | SFV22R-1/2STB__HLF | 16.5 | 14.9 | 10.5 | 11.7 |
| 23 | SFV23R-1/2STB__HLF | 17.0 | 15.4 | 11.0 | 12.2 |
| 24 | SFV24R-1/2STB__HLF | 17.5 | 15.9 | 11.5 | 12.7 |
| 25 | SFV25R-1/2STB__HLF | 18.0 | 16.4 | 12.0 | 13.2 |
| 26 | SFV26R-1/2STB__HLF | 18.5 | 16.9 | 12.5 | 13.7 |
| 27 | SFV27R-1/2STB__HLF | 19.0 | 17.4 | 13.0 | 14.2 |
| 28 | SFV28R-1/2STB__HLF | 19.5 | 17.9 | 13.5 | 14.7 |
| 29 | SFV29R-1/2STB__HLF | 20.0 | 18.4 | 14.0 | 15.2 |
| 30 | SFV30R-1/2STB__HLF | 20.5 | 18.9 | 14.5 | 15.7 |
| 31 | SFV31R-1/2STB__HLF | 21.0 | 19.4 | 15.0 | 16.2 |
| 32 | SFV32R-1/2STB__HLF | 21.5 | 19.9 | 15.5 | 16.7 |
| 33 | SFV33R-1/2STB__HLF | 22.0 | 20.4 | 16.0 | 17.2 |
| 34 | SFV34R-1/2STB__HLF | 22.5 | 20.9 | 16.5 | 17.7 |
| 35 | SFV35R-1/2STB__HLF | 23.0 | 21.4 | 17.0 | 18.2 |



NOTES

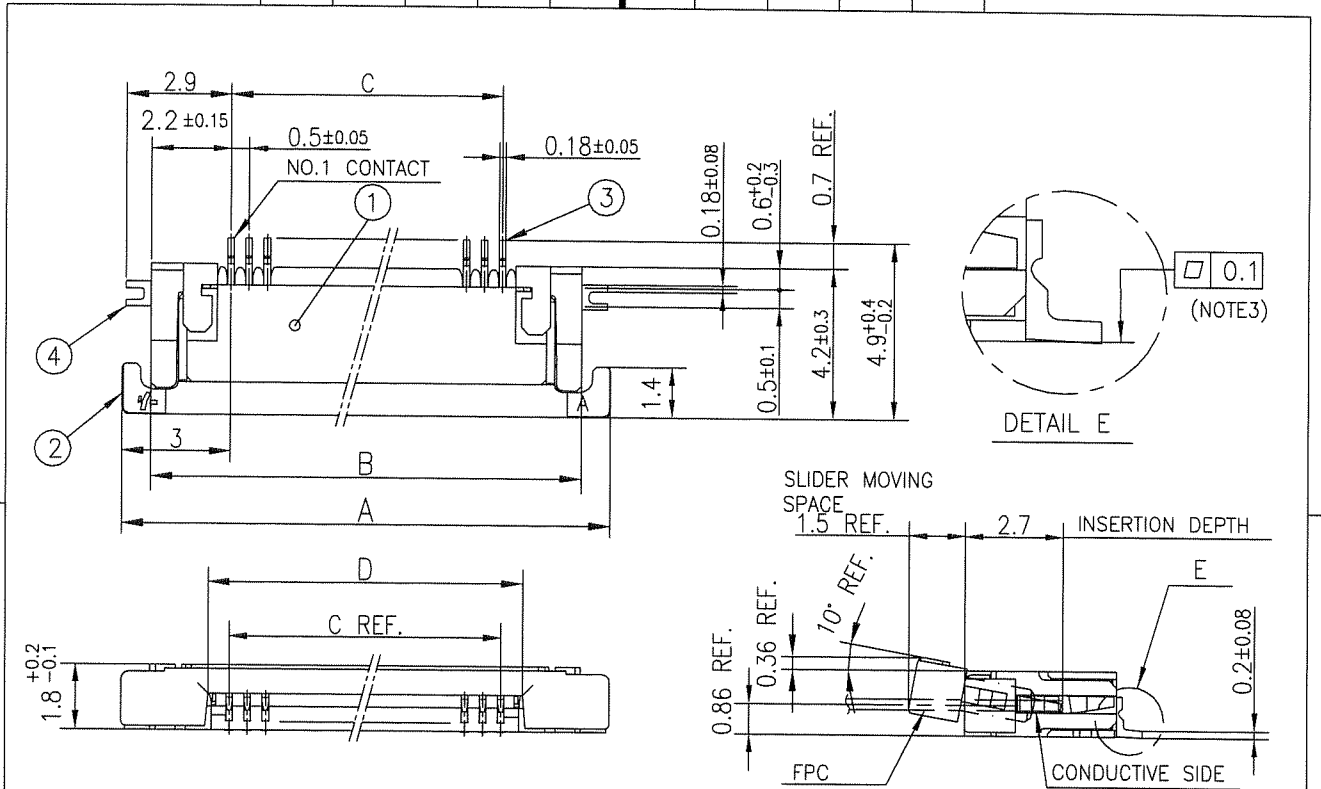
1. THIS PRODUCT IS THE CONNECTOR USED FOR FPC AND COPEs WITH AUTOMATIC MOUNTING (SMT).
2. SEE PART DRAWINGS FOR DIMENSIONS A~D.



FCIconnect.com

Copyright FCI.

| | | | | | | | | | | | |
|-------------|----------|--|----------|---|---------------------------------------|------------|---------|--------------------------|---|--------------|--|
| mat'l. code | | surface ISO 1302 <input checked="" type="checkbox"/> | | tolerance ISO 406 <input checked="" type="checkbox"/> | | projection | | product family 58EF | | CODE JP | |
| ltr | ecn no | dr | date | | tolerances unless otherwise specified | | mm | | title | | |
| A | J09-0075 | S.W | '09/2/19 | | angles linear | | scale X | | CAT. NO. TABLE FOR 0.5 mm CONTACT SPACING CONNECTOR (Cat. No. : SFV__R-1/2STB__HLF) | | |
| dr | | engr | | chr | | appd | | dwg no | | sheet 1 of 1 | |
| sheet index | | revision sheet | | A 1 | | FCI logo | | JSA 97501 | | size A4 | |
| sheet index | | revision sheet | | A 1 | | type | | Product Customer Drawing | | Rev. A | |

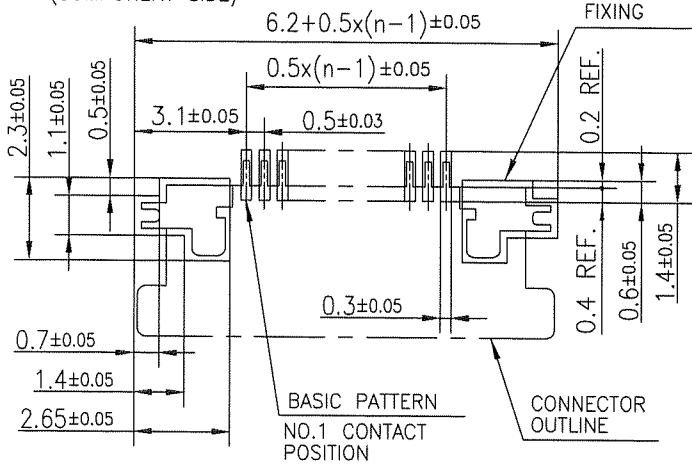


| PT. NO. | PARTS NAME | MATERIAL | Q'TY | NOTE |
|---------|----------------|--|------|------------------------------|
| 1 | HOUSING | 13~35pin : LCP RESIN GLASS REINFORCED (UL94V-0) | 1 | COLOR : BLACK (HALOGEN FREE) |
| | | 4~12pin : POLYAMIDE RESIN GLASS REINFORCED (UL94V-0) | | |
| 2 | SLIDER | PPS RESIN GLASS REINFORCED (UL94V-0) | 1 | COLOR : BLACK (HALOGEN FREE) |
| 3 | CONTACT | PHOSPHOR BRONZE | n | PLATING : GOLD |
| 4 | MOUNTING PLATE | | 2 | PLATING : LEAD FREE |

RECOMMENDED PC BOARD LAYOUT
(COMPONENT SIDE)

PATTERN FOR MOUNTING PLATE FIXING

n : NO. OF CONTACTS



NOTES

1. THIS PRODUCT IS THE CONNECTOR USED FOR FPC AND COPE WITH AUTOMATIC MOUNTING (SMT).
2. THIS PRODUCT IS LOWER CONTACT TYPE CONNECTOR.
3. FLATNESS OF CONTACT TERMINAL AND MOUNTING PLATE MUST BE WITHIN TOLERANCE IN E PORTION DETAILED DRAWING.
4. THIS PRODUCT MEETS EUROPEAN UNION DIRECTIVES AND OTHER COUNTRY REGULATIONS AS DESCRIBED IN GS-22-008.
5. THE HOUSING WILL WITHSTAND EXPOSURE TO 260°C PEAK TEMPERATURE FOR 10 SECONDS IN A REFLOW SOLDERING OVEN.

| | | | | | | | | | | | |
|-------------|----------|--|-----------|---------------------------------------|--------|------------------|------|--|--|------------|--|
| mat'l. code | | surface ISO 1302 ✓ ISO 406 ISO 1101 | | tolerance ISO 406 ISO 1101 | | projection mm | | product family 58EF | | CODE JP | |
| ltr | ecn no | dr | date | tolerances unless otherwise specified | | mm | | title CONNECTOR USED FOR FPC WITH 0.5 mm CONTACT SPACING (Cat No. : SFV__R-1STB__HLF) | | | |
| A | J09-0075 | S.W | 2009-2-19 | angles | linear | scale X | | dwg no sheet 1 of 1 size | | | |
| B | J10-0245 | S.W | 2010-9-14 | | | FPC | | JSA 97502 A4 | | | |
| sheet index | | revision | B | dr | engr | chr | appd | type Product Customer Drawing | | | |
| sheet | | sheet | 1 | | | | | Rev. B | | | |



FCIconnect.com

Copyright FCI.



| PT. NO. | PARTS NAME | MATERIAL | Q'TY | NOTE |
|---------|----------------|--|------|------------------------------|
| 1 | HOUSING | 13~35pin : LCP RESIN GLASS REINFORCED (UL94V-0) | 1 | COLOR : BLACK (HALOGEN FREE) |
| | | 4~12pin : POLYAMIDE RESIN GLASS REINFORCED (UL94V-0) | | |
| 2 | SLIDER | PPS RESIN GLASS REINFORCED (UL94V-0) | 1 | COLOR : BLACK (HALOGEN FREE) |
| 3 | CONTACT | PHOSPHOR BRONZE | n | PLATING : GOLD |
| 4 | MOUNTING PLATE | | 2 | PLATING : LEAD FREE |

RECOMMENDED PC BOARD LAYOUT
(COMPONENT SIDE)

PATTERN FOR MOUNTING PLATE FIXING

n : NO. OF CONTACTS



- NOTES
- THIS PRODUCT IS THE CONNECTOR USED FOR FPC AND COPER WITH AUTOMATIC MOUNTING (SMT).
 - THIS PRODUCT IS UPPER CONTACT TYPE CONNECTOR.
 - FLATNESS OF CONTACT TERMINAL AND MOUNTING PLATE MUST BE WITHIN TOLERANCE IN E PORTION DETAILED DRAWING.
 - THIS PRODUCT MEETS EUROPEAN UNION DIRECTIVES AND OTHER COUNTRY REGULATIONS AS DESCRIBED IN GS-22-008.
 - THE HOUSING WILL WITHSTAND EXPOSURE TO 260°C PEAK TEMPERATURE FOR 10 SECONDS IN A REFLOW SOLDERING OVEN.

| | | | | | | | | |
|-------------|----------------|--|-----------|---------------------------------------|----------------|--|---------------------|----------------------------|
| mat'l. code | | surface ISO 1302 ✓ ISO 406 ISO 1101 | | tolerance ISO 406 ISO 1101 | projection | product family 58EF | CODE JP | |
| ltr | ecn no | dr | date | tolerances unless otherwise specified | mm | title CONNECTOR USED FOR FPC WITH 0.5 mm CONTACT SPACING (Cat. No. : SFV__R-2STB__HLF) | | |
| A | J09-0075 | S.W | 2009-2-19 | angles linear | | scale X | dwg no JSA 97503 | sheet 1 of 1 size A4 |
| B | J10-0245 | S.W | 2010-9-14 | dr S. Nishida 2010-9-14 | | type Product Customer Drawing | | |
| | | | | enr S. Nishida 2010-9-14 | | | | |
| | | | | chr M. Yamashita 2010-9-14 | | | | |
| | | | | app M. Yamashita 2010-9-14 | | | | |
| sheet index | revision sheet | B | 1 | | | | Rev. B | |

CAT. NO. & DIMENSIONS

| NO. OF CONTACTS (n) | CAT. NO. | DIMENSIONS (NOTE3) | | |
|---------------------|--------------------|--------------------|---------|---------|
| | | F ± 5 | G ± 0.3 | H ± 0.1 |
| 4 | SFV4R-1/2STBE1HLF | 20.4 | 16 | — |
| 5 | SFV5R-1/2STBE1HLF | 20.4 | 16 | — |
| 6 | SFV6R-1/2STBE1HLF | 20.4 | 16 | — |
| 7 | SFV7R-1/2STBE1HLF | 28.4 | 24 | — |
| 8 | SFV8R-1/2STBE1HLF | 28.4 | 24 | — |
| 9 | SFV9R-1/2STBE1HLF | 28.4 | 24 | — |
| 10 | SFV10R-1/2STBE1HLF | 28.4 | 24 | — |
| 11 | SFV11R-1/2STBE1HLF | 28.4 | 24 | — |
| 12 | SFV12R-1/2STBE1HLF | 28.4 | 24 | — |
| 13 | SFV13R-1/2STBE1HLF | 28.4 | 24 | — |
| 14 | SFV14R-1/2STBE1HLF | 28.4 | 24 | — |
| 15 | SFV15R-1/2STBE1HLF | 28.4 | 24 | — |
| 16 | SFV16R-1/2STBE1HLF | 28.4 | 24 | — |
| 17 | SFV17R-1/2STBE1HLF | 28.4 | 24 | — |
| 18 | SFV18R-1/2STBE1HLF | 28.4 | 24 | — |
| 19 | SFV19R-1/2STBE1HLF | 28.4 | 24 | — |
| 20 | SFV20R-1/2STBE1HLF | 28.4 | 24 | — |
| 21 | SFV21R-1/2STBE1HLF | 28.4 | 24 | — |
| 22 | SFV22R-1/2STBE1HLF | 28.4 | 24 | — |
| 23 | SFV23R-1/2STBE1HLF | 36.4 | 32 | 28.4 |
| 24 | SFV24R-1/2STBE1HLF | 36.4 | 32 | 28.4 |
| 25 | SFV25R-1/2STBE1HLF | 36.4 | 32 | 28.4 |
| 26 | SFV26R-1/2STBE1HLF | 36.4 | 32 | 28.4 |
| 27 | SFV27R-1/2STBE1HLF | 36.4 | 32 | 28.4 |
| 28 | SFV28R-1/2STBE1HLF | 36.4 | 32 | 28.4 |
| 29 | SFV29R-1/2STBE1HLF | 36.4 | 32 | 28.4 |
| 30 | SFV30R-1/2STBE1HLF | 36.4 | 32 | 28.4 |
| 31 | SFV31R-1/2STBE1HLF | 48.4 | 44 | 40.4 |
| 32 | SFV32R-1/2STBE1HLF | 48.4 | 44 | 40.4 |
| 33 | SFV33R-1/2STBE1HLF | 48.4 | 44 | 40.4 |
| 34 | SFV34R-1/2STBE1HLF | 48.4 | 44 | 40.4 |
| 35 | SFV35R-1/2STBE1HLF | 48.4 | 44 | 40.4 |



NOTES

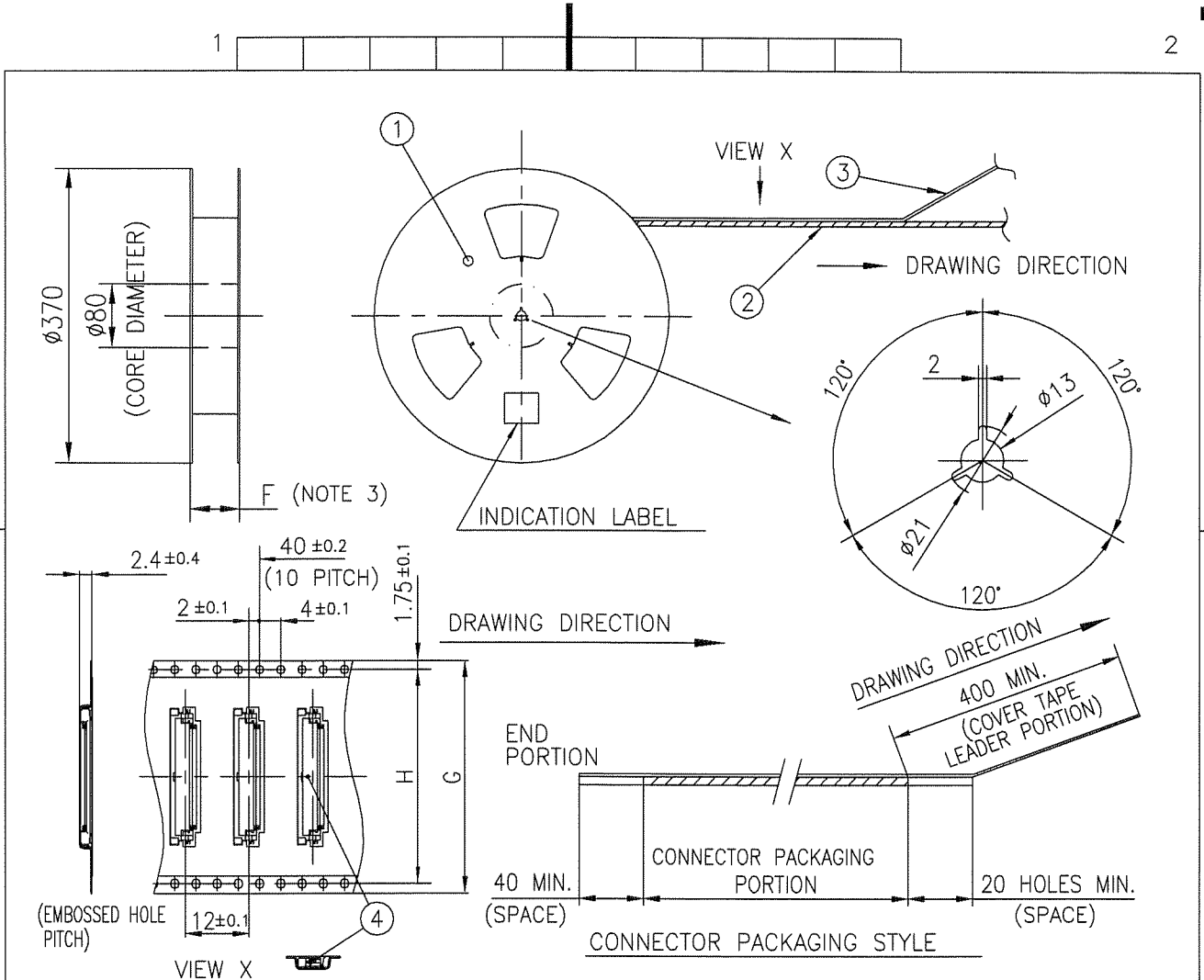
1. THIS PRODUCT IS THE CONNECTOR USED FOR FPC AND COPEs WITH AUTOMATIC MOUNTING (SMT).
2. THIS CATALOG NO. INDICATES PLASTIC TAPE PACKAGED CONNECTOR.
3. SEE PART DRAWINGS FOR DIMENSIONS F~H.



FCIconnect.com

Copyright FCI.

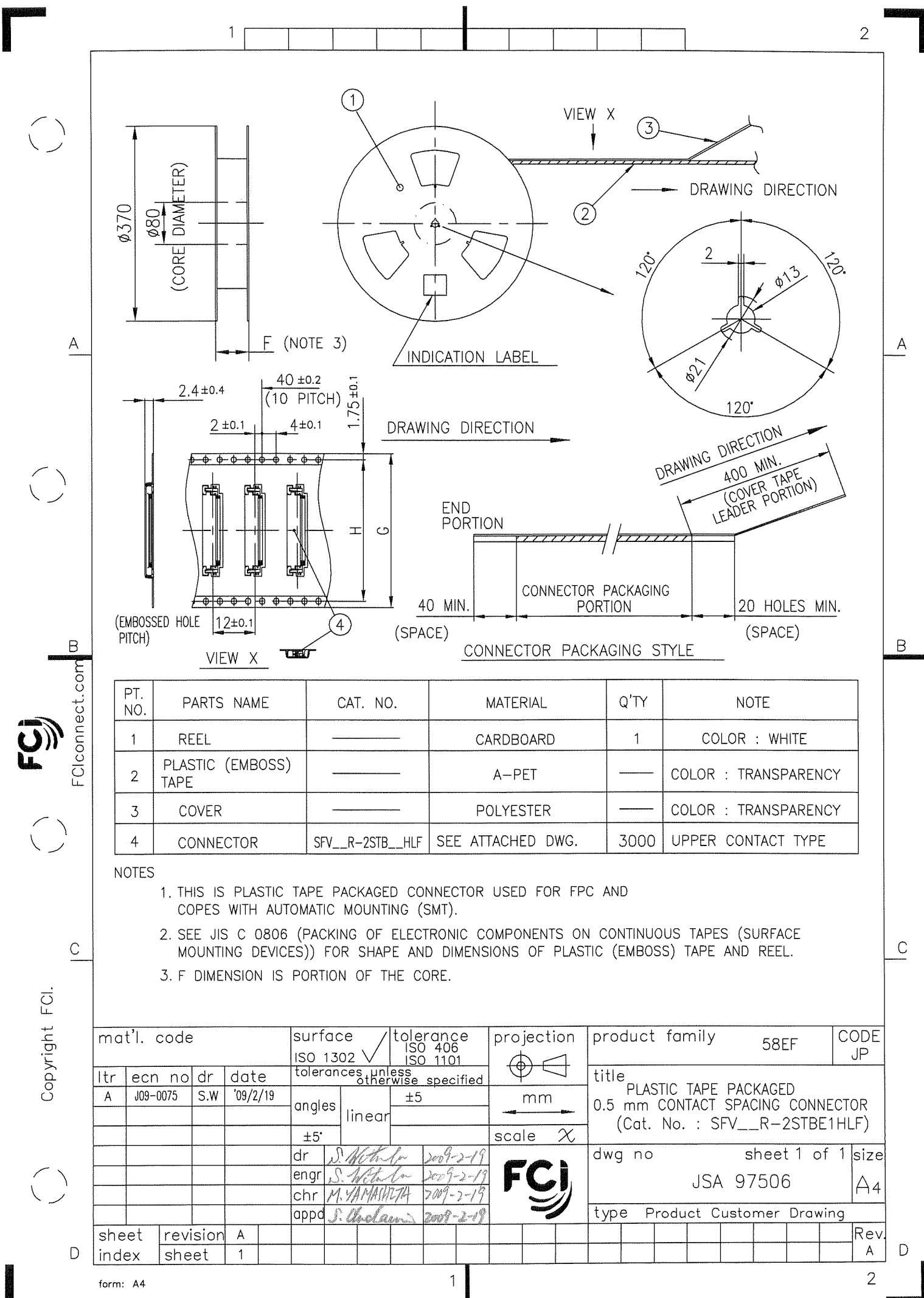
| | | | | | | | | | | | |
|-------------|----------|--------------------|----------|--|--------|------------------------|------|---|--|----------------------|--|
| mat'l. code | | surface ISO 1302 ✓ | | tolerance ISO 406 ISO 1101 | | projection | | product family 58EF | | CODE JP | |
| ltr | ecn no | dr | date | tolerances, unless otherwise specified | | mm | | title | | | |
| A | J09-0075 | S.W | '09/2/19 | angles | linear | scale X | | CAT. NO. TABLE FOR PLASTIC TAPE PACKAGED 0.5 mm CONTACT SPACING CONNECTOR (Cat. No. : SFV__R-1/2STBE1HLF) | | | |
| sheet index | | revision sheet | A 1 | dr | engr | chr | appd | dwg no JSA 97504 | | sheet 1 of 1 size A4 | |
| form: A4 | | | | S. Nishida 2009-2-19 | | H. YAMASHITA 2009-2-19 | | Product Customer Drawing | | Rev. A | |



| PT. NO. | PARTS NAME | CAT. NO. | MATERIAL | Q'TY | NOTE |
|---------|-----------------------|------------------|-------------------|-------|----------------------|
| 1 | REEL | _____ | CARDBOARD | 1 | COLOR : WHITE |
| 2 | PLASTIC (EMBOSS) TAPE | _____ | A-PET | _____ | COLOR : TRANSPARENCY |
| 3 | COVER | _____ | POLYESTER | _____ | COLOR : TRANSPARENCY |
| 4 | CONNECTOR | SFV__R-1STB__HLF | SEE ATTACHED DWG. | 3000 | LOWER CONTACT TYPE |

- NOTES
1. THIS IS PLASTIC TAPE PACKAGED CONNECTOR USED FOR FPC AND COPES WITH AUTOMATIC MOUNTING (SMT).
 2. SEE JIS C 0806 (PACKING OF ELECTRONIC COMPONENTS ON CONTINUOUS TAPES (SURFACE MOUNTING DEVICES)) FOR SHAPE AND DIMENSIONS OF PLASTIC (EMBOSS) TAPE AND REEL.
 3. F DIMENSION IS PORTION OF THE CORE.

| | | | | | | | | | |
|-------------------------|--|--|--|---------------------------|--|-------------------------------|--|--|--|
| mat'l. code | | surface 58 / tolerance ISO 1302 / ISO 406 / ISO 1101 | | projection | | product family 58EF | | CODE JP | |
| ltr A | | ecn no J09-0075 | | dr S.W | | date '09/2/19 | | title PLASTIC TAPE PACKAGED 0.5 mm CONTACT SPACING CONNECTOR (Cat. No. : SFV__R-1STBE1HLF) | |
| angles ±5' | | linear | | mm | | scale X | | dwg no JSA 97505 | |
| dr S. Nishida 2009-2-19 | | enr S. Nishida 2009-2-19 | | chr M. YAMAHATA 2009-2-19 | | appd S. Okada 2009-2-19 | | sheet 1 of 1 size A4 | |
| sheet index | | revision A | | sheet 1 | | type Product Customer Drawing | | Rev. A | |



| PT. NO. | PARTS NAME | CAT. NO. | MATERIAL | Q'TY | NOTE |
|---------|-----------------------|------------------|-------------------|-------|----------------------|
| 1 | REEL | _____ | CARDBOARD | 1 | COLOR : WHITE |
| 2 | PLASTIC (EMBOSS) TAPE | _____ | A-PET | _____ | COLOR : TRANSPARENCY |
| 3 | COVER | _____ | POLYESTER | _____ | COLOR : TRANSPARENCY |
| 4 | CONNECTOR | SFV__R-2STB__HLF | SEE ATTACHED DWG. | 3000 | UPPER CONTACT TYPE |

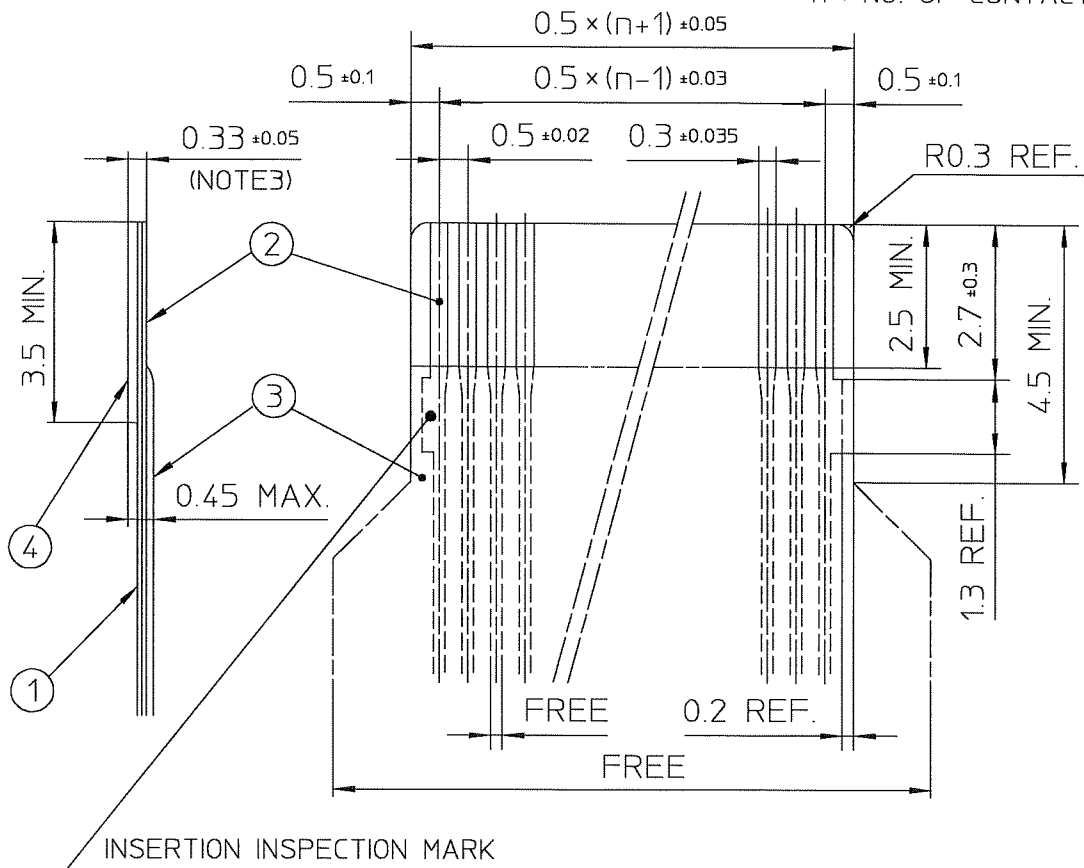
NOTES

1. THIS IS PLASTIC TAPE PACKAGED CONNECTOR USED FOR FPC AND COPEs WITH AUTOMATIC MOUNTING (SMT).
2. SEE JIS C 0806 (PACKING OF ELECTRONIC COMPONENTS ON CONTINUOUS TAPES (SURFACE MOUNTING DEVICES)) FOR SHAPE AND DIMENSIONS OF PLASTIC (EMBOSS) TAPE AND REEL.
3. F DIMENSION IS PORTION OF THE CORE.

| | | | | | | | | | | | |
|-------------|----------|--------------------|----------|--|--------|------------|------|--|--|-------------------|--|
| mat'l. code | | surface ISO 1302 ✓ | | tolerance ISO 406 ISO 1101 | | projection | | product family 58EF | | CODE JP | |
| ltr | ecn no | dr | date | tolerances, unless otherwise specified | | mm | | title | | | |
| A | J09-0075 | S.W | '09/2/19 | angles | linear | ±5 | | PLASTIC TAPE PACKAGED 0.5 mm CONTACT SPACING CONNECTOR (Cat. No. : SFV__R-2STBE1HLF) | | | |
| | | | | ±5' | | scale X | | dwg no | | sheet 1 of 1 size | |
| | | | | dr | engr | chr | appd | JSA 97506 | | A4 | |
| sheet index | | revision sheet | | A 1 | | | | type Product Customer Drawing | | | |
| | | | | | | | | | | Rev. A | |

RECOMMENDED CABLE (FPC)

n : NO. OF CONTACTS



| PT. NO. | PARTS NAME | MATERIAL | THICKNESS(μm) |
|---------|-----------------|---------------------------------|---------------|
| 1 | BASE FILM | POLYIMIDE OR POLYESTER OR EQUAL | 25 |
| 2 | CONDUCTOR | COPPER FOIL(PLATING : GOLD) | 35 |
| 3 | OVERLAY | POLYIMIDE OR POLYESTER OR EQUAL | — |
| 4 | SUPPORTING TAPE | POLYESTER OR POLYIMIDE OR EQUAL | 188 |

NOTES

1. NO BURR AT EACH PORTION.
2. NO PEELING IN COMMON USE.
3. TOTAL THICKNESS LIMIT OF EACH MATERIAL (INCLUDING ADHESIVE AGENT) IS SPECIFIED.

| | | | | | | | | | | |
|-------------|----------|-----|----------|---|--------------------|------------|--|-------------------------------|--|------|
| mat'l. code | | | | surface <input checked="" type="checkbox"/> ISO 1302 <input checked="" type="checkbox"/> tolerance <input checked="" type="checkbox"/> ISO 406 <input checked="" type="checkbox"/> ISO 1101 | | projection | | product family 58EF | | |
| ltr | ecn no | dr | date | tolerances unless otherwise specified | | | | title | | |
| A | J04-0186 | H.T | '04/8/19 | angles | linear | ← → | | RECOMMENDED CABLE | | |
| B | J04-0454 | H.T | '05/2/17 | | | scale X | | (Cat. No. : SFV__R-1/2ST__LF) | | |
| C | J06-0372 | H.T | '06/9/17 | | | | | dwg no sheet 1 of 1 size | | |
| | | | | dr | <i>H. Hatanaka</i> | 9/7/06 | | JSA 96019 | | |
| | | | | enr | <i>H. Hatanaka</i> | 9/7/06 | | A4 | | |
| | | | | chr | <i>R. Shover</i> | 9/8/06 | | | | |
| | | | | appd | <i>S. Saldana</i> | 9/11/06 | | | | |
| sheet | revision | C | | | | | | | | Rev. |
| index | sheet | 1 | | | | | | | | C |

SC-SFV06 JSA96013 form: A4

RECOMMENDED CABLE (FFC)

n : NO. OF CONTACTS



| KIND OF FFC (NOTE3) | DIMENSIONAL TOLERANCE | | | |
|---------------------|-----------------------|-------|-------|--------|
| | a | b | c | d |
| 1 | ±0.07 | ±0.04 | ±0.05 | ±0.02 |
| 2 | ±0.1 | ±0.03 | ±0.03 | ±0.025 |

| PT. NO. | PARTS NAME | MATERIAL |
|---------|-----------------|------------------------------------|
| 1 | INSULATOR | FLAME RESISTING POLYESTER OR EQUAL |
| 2 | CONDUCTOR | COPPER FOIL (PLATING : GOLD) |
| 3 | SUPPORTING TAPE | FLAME RESISTING POLYESTER OR EQUAL |

NOTES

- NO BURR AT EACH PORTION.
- NO PEELING IN COMMON USE.
- EITHER KIND1 OR KIND2 OF FFC CAN ACCEPT DIMENSIONAL TOLERANCE a,b,c AND d.

| | | | | | | | | | | |
|-------------|----------------|-----|----------|---------------------------------------|-----------------------------|----------------|---|--|--------------|--------|
| mat'l. code | | | | surface ISO 1302 ✓ | tolerance ISO 406 ISO 1101 | projection | product family 58EF | | | |
| ltr | ecn no | dr | date | tolerances unless otherwise specified | | scale \times | title | | | |
| A | J06-0499 | H.T | 11/27/06 | angles | linear | | RECOMMENDED CABLE (Cat. No. : SFV__R-1/2ST__) | | | |
| | | | | dr | <i>[Signature]</i> 11/27/06 | | dwg no | | sheet 1 of 1 | size |
| | | | | enr | <i>[Signature]</i> 11/27/06 | | JSA 97202 | | | A4 |
| | | | | chr | <i>[Signature]</i> 11/27/06 | | type Product Customer Drawing | | | |
| | | | | appd | <i>[Signature]</i> 11/28/06 | | | | | |
| sheet index | revision sheet | A | 1 | | | | | | | Rev. A |



FCJconnect.com

Copyright FCJ

Компания «Life Electronics» занимается поставками электронных компонентов импортного и отечественного производства от производителей и со складов крупных дистрибьюторов Европы, Америки и Азии.

С конца 2013 года компания активно расширяет линейку поставок компонентов по направлению коаксиальный кабель, кварцевые генераторы и конденсаторы (керамические, пленочные, электролитические), за счёт заключения дистрибьюторских договоров

Мы предлагаем:

- Конкурентоспособные цены и скидки постоянным клиентам.
- Специальные условия для постоянных клиентов.
- Подбор аналогов.
- Поставку компонентов в любых объемах, удовлетворяющих вашим потребностям.
- Приемлемые сроки поставки, возможна ускоренная поставка.
- Доставку товара в любую точку России и стран СНГ.
- Комплексную поставку.
- Работу по проектам и поставку образцов.
- Формирование склада под заказчика.
- Сертификаты соответствия на поставляемую продукцию (по желанию клиента).
- Тестирование поставляемой продукции.
- Поставку компонентов, требующих военную и космическую приемку.
- Входной контроль качества.
- Наличие сертификата ISO.

В составе нашей компании организован Конструкторский отдел, призванный помогать разработчикам, и инженерам.

Конструкторский отдел помогает осуществить:

- Регистрацию проекта у производителя компонентов.
- Техническую поддержку проекта.
- Защиту от снятия компонента с производства.
- Оценку стоимости проекта по компонентам.
- Изготовление тестовой платы монтаж и пусконаладочные работы.



Тел: +7 (812) 336 43 04 (многоканальный)

Email: org@lifeelectronics.ru