



FCIconnect.com

Copyright FCI.

1 2

List of "SFV__R-1/2STBE1HLF" customer document

DOCUMENT NO.	LIST
SC-SFV08	SPEC.
JSA 97501	CAT.NO.TABLE FOR 0.5mm CONTACT SPACING CONNECTOR (SFV__R-1/2STB_HLF)
JSA 97502	CONNECTOR USED FOR FPC/FFC WITH 0.5mm CONTACT SPACING (SFV__R-1STB_HLF)
JSA 97503	CONNECTOR USED FOR FPC/FFC WITH 0.5mm CONTACT SPACING (SFV__R-2STB_HLF)
JSA 97504	CAT.NO.TABLE FOR PLASTIC TAPE PACKAGED 0.5mm CONTACT SPACING CONNECTOR (SFV__R-1/2STBE1HLF)
JSA 97505	PLASTIC TAPE PACKAGED 0.5mm CONTACT SPACING CONNECTOR (SFV__R-1STBE1HLF)
JSA 97506	PLASTIC TAPE PACKAGED 0.5mm CONTACT SPACING CONNECTOR (SFV__R-2STBE1HLF)
JSA96019	RECOMMENDED CABLE (FPC) (SFV__R-1/2ST__LF)
JSA97202	RECOMMENDED CABLE (FFC) (SFV__R-1/2ST__)
BUM-SFV101	HANDLING PROCEDURES

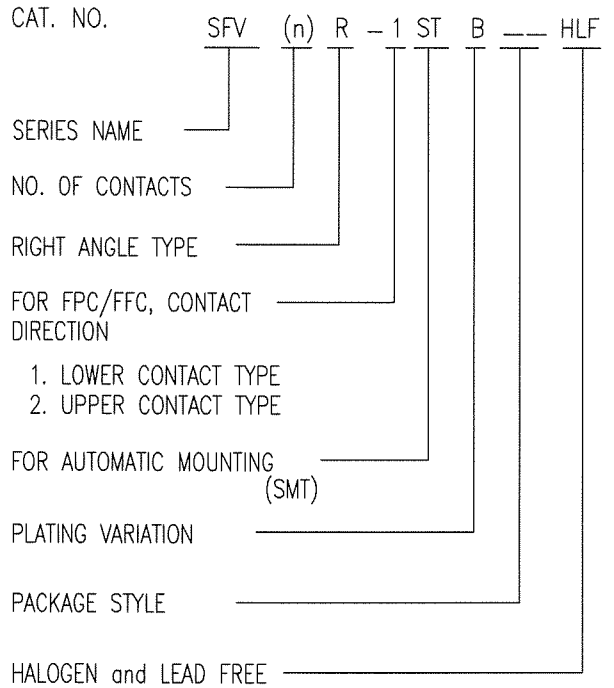
mat'l. code				surface ISO 1302 <input checked="" type="checkbox"/>		tolerance ISO 406 ISO 1101		projection 		product family 58EF		CODE JP
ltr	ecn no	dr	date	tolerances unless otherwise specified				mm 		title 0.5mm SPACING FPC CONNECTOR DOCUMENT LIST (Cat. No. : SFV__R-1/2STBE1HLF)		
A	J09-0075	S.W	'09/2/19	angles	linear	scale \times				dwg no JSA 97500		sheet 1 of 1
				dr	<i>S. Watanabe</i> 2009-2-19				type Product Customer Drawing			
				enr	<i>S. Watanabe</i> 2009-2-19				Rev			
				chr	<i>M. YAMAUCHI</i> 2009-2-19				A			
				appd	<i>P. Andama</i> 2009-2-19				sheet index			
sheet index		revision	A									
		sheet	1									

form: A4

1 2

CAT. NO. & DIMENSIONS

NO. OF CONTACTS (n)	CAT. NO.	DIMENSIONS (NOTE2)			
		A ± 0.2	B ± 0.2	C ± 0.1	D ± 0.1
4	SFV4R-1/2STB__HLF	7.5	5.9	1.5	2.7
5	SFV5R-1/2STB__HLF	8.0	6.4	2.0	3.2
6	SFV6R-1/2STB__HLF	8.5	6.9	2.5	3.7
7	SFV7R-1/2STB__HLF	9.0	7.4	3.0	4.2
8	SFV8R-1/2STB__HLF	9.5	7.9	3.5	4.7
9	SFV9R-1/2STB__HLF	10.0	8.4	4.0	5.2
10	SFV10R-1/2STB__HLF	10.5	8.9	4.5	5.7
11	SFV11R-1/2STB__HLF	11.0	9.4	5.0	6.2
12	SFV12R-1/2STB__HLF	11.5	9.9	5.5	6.7
13	SFV13R-1/2STB__HLF	12.0	10.4	6.0	7.2
14	SFV14R-1/2STB__HLF	12.5	10.9	6.5	7.7
15	SFV15R-1/2STB__HLF	13.0	11.4	7.0	8.2
16	SFV16R-1/2STB__HLF	13.5	11.9	7.5	8.7
17	SFV17R-1/2STB__HLF	14.0	12.4	8.0	9.2
18	SFV18R-1/2STB__HLF	14.5	12.9	8.5	9.7
19	SFV19R-1/2STB__HLF	15.0	13.4	9.0	10.2
20	SFV20R-1/2STB__HLF	15.5	13.9	9.5	10.7
21	SFV21R-1/2STB__HLF	16.0	14.4	10.0	11.2
22	SFV22R-1/2STB__HLF	16.5	14.9	10.5	11.7
23	SFV23R-1/2STB__HLF	17.0	15.4	11.0	12.2
24	SFV24R-1/2STB__HLF	17.5	15.9	11.5	12.7
25	SFV25R-1/2STB__HLF	18.0	16.4	12.0	13.2
26	SFV26R-1/2STB__HLF	18.5	16.9	12.5	13.7
27	SFV27R-1/2STB__HLF	19.0	17.4	13.0	14.2
28	SFV28R-1/2STB__HLF	19.5	17.9	13.5	14.7
29	SFV29R-1/2STB__HLF	20.0	18.4	14.0	15.2
30	SFV30R-1/2STB__HLF	20.5	18.9	14.5	15.7
31	SFV31R-1/2STB__HLF	21.0	19.4	15.0	16.2
32	SFV32R-1/2STB__HLF	21.5	19.9	15.5	16.7
33	SFV33R-1/2STB__HLF	22.0	20.4	16.0	17.2
34	SFV34R-1/2STB__HLF	22.5	20.9	16.5	17.7
35	SFV35R-1/2STB__HLF	23.0	21.4	17.0	18.2



NOTES

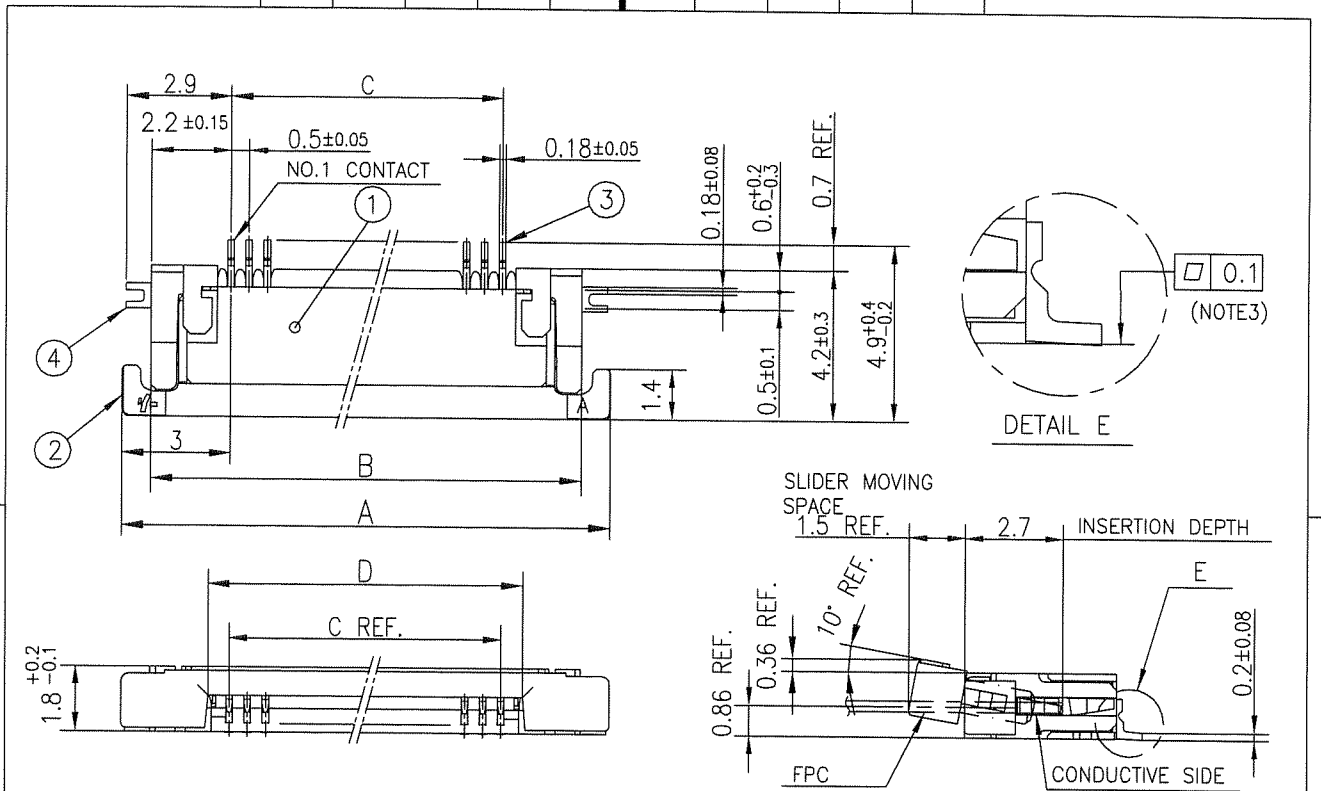
1. THIS PRODUCT IS THE CONNECTOR USED FOR FPC AND COPEs WITH AUTOMATIC MOUNTING (SMT).
2. SEE PART DRAWINGS FOR DIMENSIONS A~D.



FCIconnect.com

Copyright FCI.

mat'l. code		surface ISO 1302 <input checked="" type="checkbox"/>		tolerance ISO 406 <input checked="" type="checkbox"/>		projection		product family 58EF		CODE JP	
ltr	ecn no	dr	date		tolerances unless otherwise specified		mm		title		
A	J09-0075	S.W	'09/2/19		angles linear		scale X		CAT. NO. TABLE FOR 0.5 mm CONTACT SPACING CONNECTOR (Cat. No. : SFV__R-1/2STB__HLF)		
dr		engr		chr		appd		dwg no		sheet 1 of 1 size	
sheet index		revision sheet		A 1		JSA 97501		type Product Customer Drawing		A4	
sheet index		revision sheet		A 1		Rev. A				D	

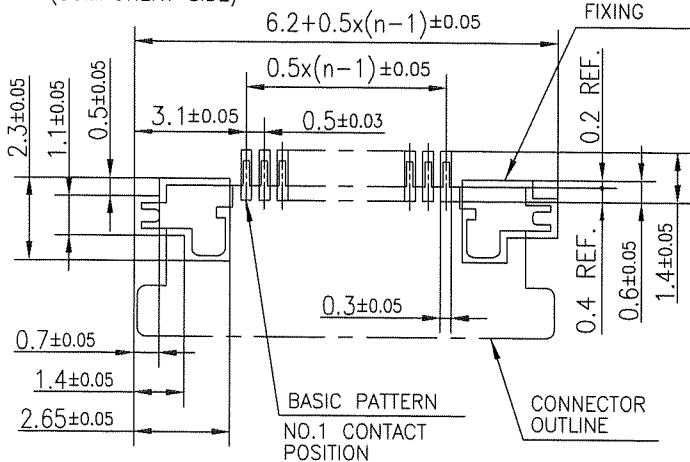


PT. NO.	PARTS NAME	MATERIAL	Q'TY	NOTE
1	HOUSING	13~35pin : LCP RESIN GLASS REINFORCED (UL94V-0)	1	COLOR : BLACK (HALOGEN FREE)
		4~12pin : POLYAMIDE RESIN GLASS REINFORCED (UL94V-0)		
2	SLIDER	PPS RESIN GLASS REINFORCED (UL94V-0)	1	COLOR : BLACK (HALOGEN FREE)
3	CONTACT	PHOSPHOR BRONZE	n	PLATING : GOLD
4	MOUNTING PLATE		2	PLATING : LEAD FREE

RECOMMENDED PC BOARD LAYOUT
(COMPONENT SIDE)

PATTERN FOR MOUNTING PLATE FIXING

n : NO. OF CONTACTS



NOTES

1. THIS PRODUCT IS THE CONNECTOR USED FOR FPC AND COPE WITH AUTOMATIC MOUNTING (SMT).
2. THIS PRODUCT IS LOWER CONTACT TYPE CONNECTOR.
3. FLATNESS OF CONTACT TERMINAL AND MOUNTING PLATE MUST BE WITHIN TOLERANCE IN E PORTION DETAILED DRAWING.
4. THIS PRODUCT MEETS EUROPEAN UNION DIRECTIVES AND OTHER COUNTRY REGULATIONS AS DESCRIBED IN GS-22-008.
5. THE HOUSING WILL WITHSTAND EXPOSURE TO 260°C PEAK TEMPERATURE FOR 10 SECONDS IN A REFLOW SOLDERING OVEN.

mat'l. code		surface	tolerance	projection	product family	58EF	CODE
		ISO 1302 ✓	ISO 406				JP
		tolerances unless otherwise specified		mm	title		
A	J09-0075	S.W	2009-2-19	linear	CONNECTOR USED FOR FPC WITH 0.5 mm CONTACT SPACING (Cat No. : SFV__R-1STB__HLF)		
B	J10-0245	S.W	2010-9-14	scale X	dwg no sheet 1 of 1 size		
		dr	<i>S. Nishida</i>	JSA 97502		A4	
		enr	<i>S. Nishida</i>	type Product Customer Drawing		Rev. B	
		chr	<i>M. Yamashita</i>				
		appd	<i>M. Yamashita</i>				
sheet index	revision	B					
	sheet	1					



PT. NO.	PARTS NAME	MATERIAL	Q'TY	NOTE
1	HOUSING	13~35pin : LCP RESIN GLASS REINFORCED (UL94V-0)	1	COLOR : BLACK (HALOGEN FREE)
		4~12pin : POLYAMIDE RESIN GLASS REINFORCED (UL94V-0)		
2	SLIDER	PPS RESIN GLASS REINFORCED (UL94V-0)	1	COLOR : BLACK (HALOGEN FREE)
3	CONTACT	PHOSPHOR BRONZE	n	PLATING : GOLD
4	MOUNTING PLATE		2	PLATING : LEAD FREE

RECOMMENDED PC BOARD LAYOUT
(COMPONENT SIDE)

PATTERN FOR MOUNTING PLATE FIXING

n : NO. OF CONTACTS



- NOTES
- THIS PRODUCT IS THE CONNECTOR USED FOR FPC AND COPER WITH AUTOMATIC MOUNTING (SMT).
 - THIS PRODUCT IS UPPER CONTACT TYPE CONNECTOR.
 - FLATNESS OF CONTACT TERMINAL AND MOUNTING PLATE MUST BE WITHIN TOLERANCE IN E PORTION DETAILED DRAWING.
 - THIS PRODUCT MEETS EUROPEAN UNION DIRECTIVES AND OTHER COUNTRY REGULATIONS AS DESCRIBED IN GS-22-008.
 - THE HOUSING WILL WITHSTAND EXPOSURE TO 260°C PEAK TEMPERATURE FOR 10 SECONDS IN A REFLOW SOLDERING OVEN.

mat'l. code		surface ISO 1302 ✓ ISO 406 ISO 1101		tolerance ISO 406 ISO 1101 ±0.2		projection mm		product family 58EF		CODE JP	
ltr	ecn no	dr	date	tolerances unless otherwise specified		mm		title CONNECTOR USED FOR FPC WITH 0.5 mm CONTACT SPACING (Cat. No. : SFV__R-2STB__HLF)			
A	J09-0075	S.W	2009-2-19	angles	linear	scale X		dwg no JSA 97503		sheet 1 of 1 size A4	
B	J10-0245	S.W	2010-9-14			FCJ		type Product Customer Drawing			
sheet index		revision sheet		dr S. Nishida 2010-9-14		engr S. Nishida 2010-9-14		chr M. Yamashita 2010-9-14		app M. Yamashita 2010-9-14	
B		1								Rev. B	

CAT. NO. & DIMENSIONS

NO. OF CONTACTS (n)	CAT. NO.	DIMENSIONS (NOTE3)		
		F ± 5	G ± 0.3	H ± 0.1
4	SFV4R-1/2STBE1HLF	20.4	16	—
5	SFV5R-1/2STBE1HLF	20.4	16	—
6	SFV6R-1/2STBE1HLF	20.4	16	—
7	SFV7R-1/2STBE1HLF	28.4	24	—
8	SFV8R-1/2STBE1HLF	28.4	24	—
9	SFV9R-1/2STBE1HLF	28.4	24	—
10	SFV10R-1/2STBE1HLF	28.4	24	—
11	SFV11R-1/2STBE1HLF	28.4	24	—
12	SFV12R-1/2STBE1HLF	28.4	24	—
13	SFV13R-1/2STBE1HLF	28.4	24	—
14	SFV14R-1/2STBE1HLF	28.4	24	—
15	SFV15R-1/2STBE1HLF	28.4	24	—
16	SFV16R-1/2STBE1HLF	28.4	24	—
17	SFV17R-1/2STBE1HLF	28.4	24	—
18	SFV18R-1/2STBE1HLF	28.4	24	—
19	SFV19R-1/2STBE1HLF	28.4	24	—
20	SFV20R-1/2STBE1HLF	28.4	24	—
21	SFV21R-1/2STBE1HLF	28.4	24	—
22	SFV22R-1/2STBE1HLF	28.4	24	—
23	SFV23R-1/2STBE1HLF	36.4	32	28.4
24	SFV24R-1/2STBE1HLF	36.4	32	28.4
25	SFV25R-1/2STBE1HLF	36.4	32	28.4
26	SFV26R-1/2STBE1HLF	36.4	32	28.4
27	SFV27R-1/2STBE1HLF	36.4	32	28.4
28	SFV28R-1/2STBE1HLF	36.4	32	28.4
29	SFV29R-1/2STBE1HLF	36.4	32	28.4
30	SFV30R-1/2STBE1HLF	36.4	32	28.4
31	SFV31R-1/2STBE1HLF	48.4	44	40.4
32	SFV32R-1/2STBE1HLF	48.4	44	40.4
33	SFV33R-1/2STBE1HLF	48.4	44	40.4
34	SFV34R-1/2STBE1HLF	48.4	44	40.4
35	SFV35R-1/2STBE1HLF	48.4	44	40.4



NOTES

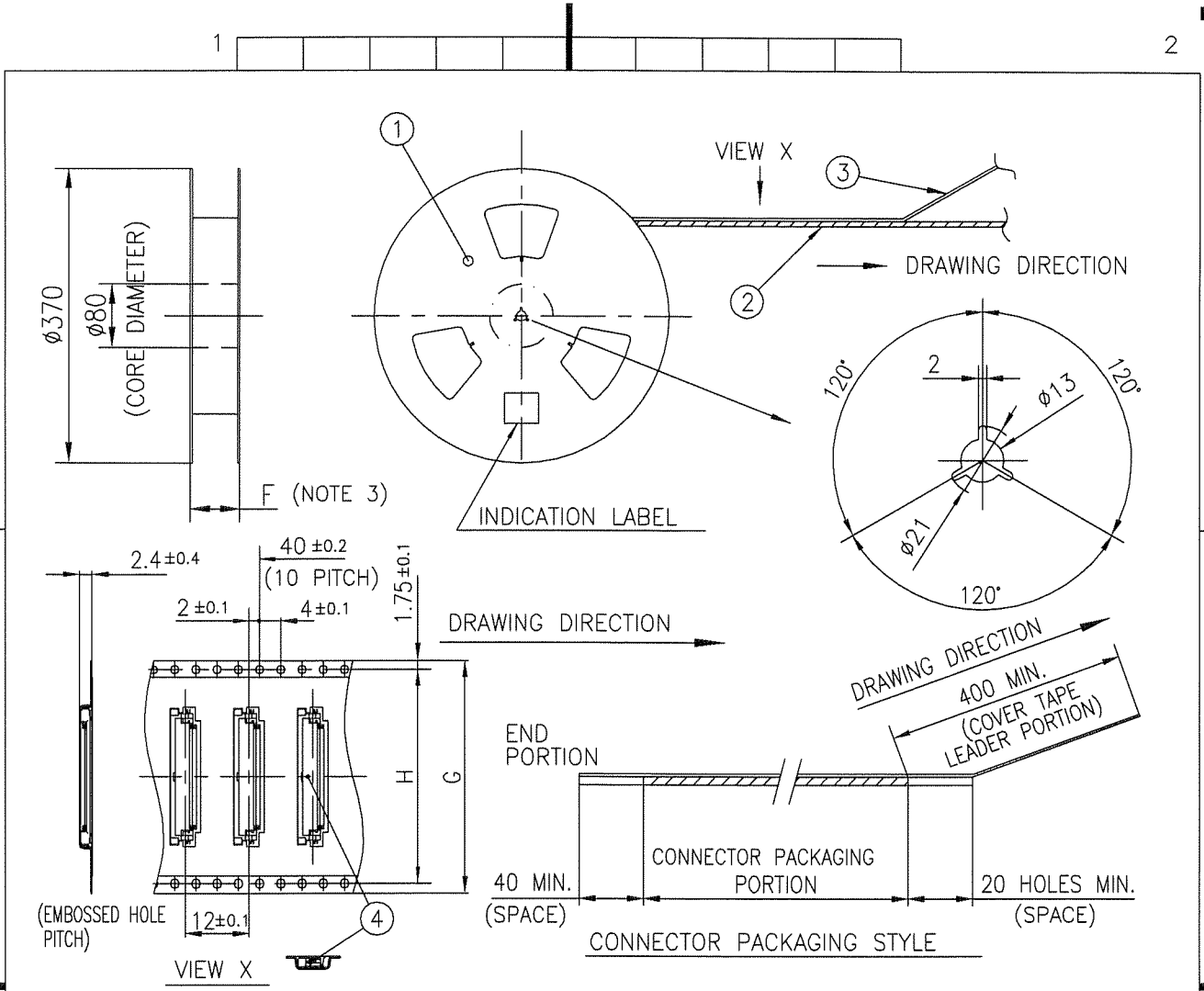
1. THIS PRODUCT IS THE CONNECTOR USED FOR FPC AND COPEs WITH AUTOMATIC MOUNTING (SMT).
2. THIS CATALOG NO. INDICATES PLASTIC TAPE PACKAGED CONNECTOR.
3. SEE PART DRAWINGS FOR DIMENSIONS F~H.



FCIconnect.com

Copyright FCI.

mat'l. code		surface ISO 1302 ✓		tolerance ISO 406 ISO 1101		projection		product family 58EF		CODE JP	
ltr A		ecn no J09-0075		dr S.W		date '09/2/19		title		sheet 1 of 1	
				angles linear		mm		CAT. NO. TABLE FOR PLASTIC TAPE PACKAGED 0.5 mm CONTACT SPACING CONNECTOR (Cat. No. : SFV__R-1/2STBE1HLF)		size A4	
				dr S. Nishida 2009-2-19				scale X		type Product Customer Drawing	
				enr S. Nishida 2009-2-19				FCI		JSA 97504	
				chr H. YAMASHITA 2009-2-19						Rev. A	
				appd J. Chokran 2009-2-19						A	
sheet index		revision sheet		A 1							



PT. NO.	PARTS NAME	CAT. NO.	MATERIAL	Q'TY	NOTE
1	REEL	_____	CARDBOARD	1	COLOR : WHITE
2	PLASTIC (EMBOSS) TAPE	_____	A-PET	_____	COLOR : TRANSPARENCY
3	COVER	_____	POLYESTER	_____	COLOR : TRANSPARENCY
4	CONNECTOR	SFV__R-1STB__HLF	SEE ATTACHED DWG.	3000	LOWER CONTACT TYPE

NOTES

1. THIS IS PLASTIC TAPE PACKAGED CONNECTOR USED FOR FPC AND COPES WITH AUTOMATIC MOUNTING (SMT).
2. SEE JIS C 0806 (PACKING OF ELECTRONIC COMPONENTS ON CONTINUOUS TAPES (SURFACE MOUNTING DEVICES)) FOR SHAPE AND DIMENSIONS OF PLASTIC (EMBOSS) TAPE AND REEL.
3. F DIMENSION IS PORTION OF THE CORE.

mat'l. code		surface 58 / tolerance ISO 1302 / ISO 406 / ISO 1101		projection		product family 58EF		CODE JP	
ltr A		ecn no J09-0075		dr S.W		date '09/2/19		tolerances unless otherwise specified	
		angles ±5'		linear		mm		title	
		dr S. Nishida 2009-2-19		enr S. Nishida 2009-2-19		chr M. YAMAHATA 2009-2-19		appd S. Chidamuru 2009-2-19	
		sheet index		revision A		sheet 1		dwg no JSA 97505	
								sheet 1 of 1 size A4	
								type Product Customer Drawing	
								Rev. A	



PT. NO.	PARTS NAME	CAT. NO.	MATERIAL	Q'TY	NOTE
1	REEL	_____	CARDBOARD	1	COLOR : WHITE
2	PLASTIC (EMBOSS) TAPE	_____	A-PET	_____	COLOR : TRANSPARENCY
3	COVER	_____	POLYESTER	_____	COLOR : TRANSPARENCY
4	CONNECTOR	SFV__R-2STB__HLF	SEE ATTACHED DWG.	3000	UPPER CONTACT TYPE

NOTES

1. THIS IS PLASTIC TAPE PACKAGED CONNECTOR USED FOR FPC AND COPEs WITH AUTOMATIC MOUNTING (SMT).
2. SEE JIS C 0806 (PACKING OF ELECTRONIC COMPONENTS ON CONTINUOUS TAPES (SURFACE MOUNTING DEVICES)) FOR SHAPE AND DIMENSIONS OF PLASTIC (EMBOSS) TAPE AND REEL.
3. F DIMENSION IS PORTION OF THE CORE.

mat'l. code		surface ISO 1302 <input checked="" type="checkbox"/>		tolerance ISO 406 <input checked="" type="checkbox"/>		projection		product family 58EF		CODE JP	
ltr A		ecn no J09-0075		dr S.W		date '09/2/19		title PLASTIC TAPE PACKAGED 0.5 mm CONTACT SPACING CONNECTOR (Cat. No. : SFV__R-2STBE1HLF)		sheet 1 of 1	
				angles ±5'		linear ±5		scale X		size A4	
				dr <i>S. Yamashita</i> 2009-2-19		enr <i>S. Yamashita</i> 2009-2-19		dwg no JSA 97506		type Product Customer Drawing	
				chr <i>M. Yamashita</i> 2009-2-19		app <i>S. Yamashita</i> 2009-2-19				Rev. A	
sheet index		revision sheet A 1									



Copyright FCI.

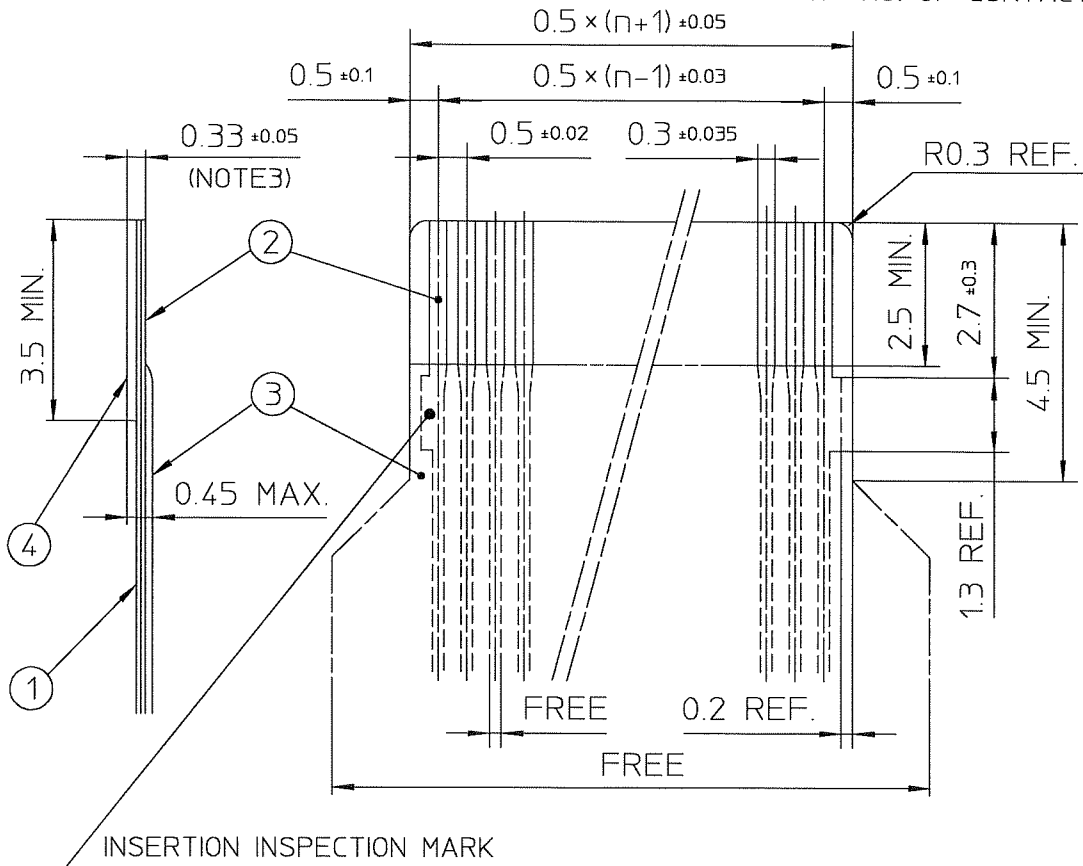
FCIconnect.com

D

D

RECOMMENDED CABLE (FPC)

n : NO. OF CONTACTS



PT. NO.	PARTS NAME	MATERIAL	THICKNESS(μm)
1	BASE FILM	POLYIMIDE OR POLYESTER OR EQUAL	25
2	CONDUCTOR	COPPER FOIL(PLATING : GOLD)	35
3	OVERLAY	POLYIMIDE OR POLYESTER OR EQUAL	—
4	SUPPORTING TAPE	POLYESTER OR POLYIMIDE OR EQUAL	188

NOTES

1. NO BURR AT EACH PORTION.
2. NO PEELING IN COMMON USE.
3. TOTAL THICKNESS LIMIT OF EACH MATERIAL (INCLUDING ADHESIVE AGENT) IS SPECIFIED.

mat'l. code				surface <input checked="" type="checkbox"/> ISO 1302 <input checked="" type="checkbox"/> tolerance <input checked="" type="checkbox"/> ISO 406 <input checked="" type="checkbox"/> ISO 1101		projection		product family 58EF		
ltr	ecn no	dr	date	tolerances unless otherwise specified				title		
A	J04-0186	H.T	'04/8/19	angles	linear	← →		RECOMMENDED CABLE		
B	J04-0454	H.T	'05/2/17			scale X		(Cat. No. : SFV__R-1/2ST__LF)		
C	J06-0372	H.T	'06/9/17					dwg no sheet 1 of 1 size		
				dr	<i>H. Hatanaka</i>	9/7/06			JSA 96019 A4	
				enr	<i>H. Hatanaka</i>	9/7/06				
				chr	<i>R. Shover</i>	9/8/06				
				appd	<i>S. Saldana</i>	9/11/06				
sheet	revision	C		type Product Customer Drawing						Rev.
index	sheet	1								C

SC-SFV06 JSA96013 form: A4

RECOMMENDED CABLE (FFC)

n : NO. OF CONTACTS



KIND OF FFC (NOTE3)	DIMENSIONAL TOLERANCE			
	a	b	c	d
1	±0.07	±0.04	±0.05	±0.02
2	±0.1	±0.03	±0.03	±0.025

PT. NO.	PARTS NAME	MATERIAL
1	INSULATOR	FLAME RESISTING POLYESTER OR EQUAL
2	CONDUCTOR	COPPER FOIL (PLATING : GOLD)
3	SUPPORTING TAPE	FLAME RESISTING POLYESTER OR EQUAL

NOTES

- NO BURR AT EACH PORTION.
- NO PEELING IN COMMON USE.
- EITHER KIND1 OR KIND2 OF FFC CAN ACCEPT DIMENSIONAL TOLERANCE a,b,c AND d.

mat'l. code				surface ISO 1302 ✓	tolerance ISO 406 ISO 1101	projection	product family 58EF			
ltr	ecn no	dr	date	tolerances unless otherwise specified		scale \times	title			
A	J06-0499	H.T	11/27/06	angles	linear		RECOMMENDED CABLE (Cat. No. : SFV__R-1/2ST__)			
				dr	<i>[Signature]</i> 11/27/06		dwg no		sheet 1 of 1	size
				enr	<i>[Signature]</i> 11/27/06		JSA 97202			A4
				chr	<i>[Signature]</i> 11/27/06		type Product Customer Drawing			
				appd	<i>[Signature]</i> 11/28/06					
sheet index	revision sheet	A	1							Rev. A



FCJconnect.com

Copyright FCJ

Компания «Life Electronics» занимается поставками электронных компонентов импортного и отечественного производства от производителей и со складов крупных дистрибьюторов Европы, Америки и Азии.

С конца 2013 года компания активно расширяет линейку поставок компонентов по направлению коаксиальный кабель, кварцевые генераторы и конденсаторы (керамические, пленочные, электролитические), за счёт заключения дистрибьюторских договоров

Мы предлагаем:

- Конкурентоспособные цены и скидки постоянным клиентам.
- Специальные условия для постоянных клиентов.
- Подбор аналогов.
- Поставку компонентов в любых объемах, удовлетворяющих вашим потребностям.
- Приемлемые сроки поставки, возможна ускоренная поставка.
- Доставку товара в любую точку России и стран СНГ.
- Комплексную поставку.
- Работу по проектам и поставку образцов.
- Формирование склада под заказчика.
- Сертификаты соответствия на поставляемую продукцию (по желанию клиента).
- Тестирование поставляемой продукции.
- Поставку компонентов, требующих военную и космическую приемку.
- Входной контроль качества.
- Наличие сертификата ISO.

В составе нашей компании организован Конструкторский отдел, призванный помогать разработчикам, и инженерам.

Конструкторский отдел помогает осуществить:

- Регистрацию проекта у производителя компонентов.
- Техническую поддержку проекта.
- Защиту от снятия компонента с производства.
- Оценку стоимости проекта по компонентам.
- Изготовление тестовой платы монтаж и пусконаладочные работы.



Тел: +7 (812) 336 43 04 (многоканальный)

Email: org@lifeelectronics.ru