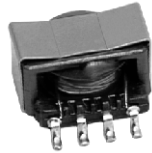


Surface Mount Transformers/Inductors, Gapped and Ungapped Custom Configurations Available


ELECTRICAL SPECIFICATIONS

Inductance Range: 10 μ H to 47 000 μ H, measured at 0.10 V RMS at 10 kHz without DC current, using an HP 4263A or HP 4284A impedance analyzer



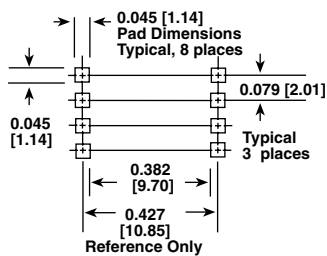
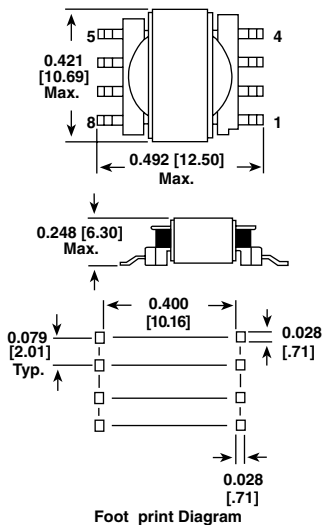
DC Resistance Range: 0.03 Ω to 19.1 Ω , measured at +25 $^{\circ}$ C \pm 5 $^{\circ}$ C

**RoHS
COMPLIANT**

Rated Current Range: 2.00 amps to 0.09 amps

Dielectric Withstanding Voltage: 500 V RMS, 60 Hz, 5 seconds

DIMENSIONS in inches [millimeters]

Pad Layout

Dimensional Outline


NOTE: Pad layout guidelines per MIL-STD-275E (printed wiring for electronic equipment). Tolerances: xx \pm 0.01" [\pm 0.25 mm]; xxx \pm 0.005" [\pm 0.12 mm]

The underside of these components contains metal and thus should not come in contact with active circuit traces.

STANDARD ELECTRICAL SPECIFICATIONS

MODEL	IND. (μ H)	IND. TOL.	SCHEMATIC LETTER	DCR MAX. (Ohms)	MAX. RATED* DC CURRENT (Amps)	SATURATING CURRENT** (Amps)
Ungapped Models (A)						
LPE4841ER101NU	100	\pm 30 %	A	0.17	0.88	N/A
LPE4841ER151NU	150	\pm 30 %	A	0.21	0.79	N/A
LPE4841ER221NU	220	\pm 30 %	A	0.25	0.721	N/A
LPE4841ER331NU	330	\pm 30 %	A	0.30	0.65	N/A
LPE4841ER471NU	470	\pm 30 %	A	0.36	0.60	N/A
LPE4841ER681NU	680	\pm 30 %	A	0.44	0.54	N/A
LPE4841ER102NU	1000	\pm 30 %	A	0.53	0.49	N/A
LPE4841ER152NU	1500	\pm 30 %	A	0.65	0.45	N/A
LPE4841ER222NU	2200	\pm 30 %	A	0.79	0.40	N/A
LPE4841ER332NU	3300	\pm 30 %	A	1.55	0.29	N/A
LPE4841ER472NU	4700	\pm 30 %	A	1.85	0.26	N/A
LPE4841ER682NU	6800	\pm 30 %	A	4.36	0.17	N/A
LPE4841ER103NU	10 000	\pm 30 %	A	5.29	0.16	N/A
LPE4841ER153NU	15 000	\pm 30 %	A	6.48	0.14	N/A
LPE4841ER223NU	22 000	\pm 30 %	A	13.1	0.10	N/A
LPE4841ER333NU	33 000	\pm 30 %	A	16.0	0.09	N/A
LPE4841ER473NU	47 000	\pm 30 %	A	19.1	0.08	N/A
Gapped Models (B)						
LPE4841ER100MG	10	\pm 20 %	B	0.03	2.03	2.320
LPE4841ER150MG	15	\pm 20 %	B	0.04	1.84	1.925
LPE4841ER220MG	22	\pm 20 %	C	0.07	1.32	1.610
LPE4841ER330MG	33	\pm 20 %	C	0.09	1.20	1.330
LPE4841ER470MG	47	\pm 20 %	D	0.13	0.98	1.125
LPE4841ER680MG	68	\pm 20 %	D	0.21	0.79	0.941
LPE4841ER101MG	100	\pm 20 %	E	0.35	0.58	0.781
LPE4841ER151MG	150	\pm 20 %	E	0.48	0.52	0.641
LPE4841ER221MG	220	\pm 20 %	E	0.73	0.42	0.532
LPE4841ER331MG	330	\pm 20 %	E	1.14	0.34	0.436
LPE4841ER471MG	470	\pm 20 %	E	1.36	0.31	0.366
LPE4841ER681MG	680	\pm 20 %	E	2.07	0.25	0.305
LPE4841ER102MG	1000	\pm 20 %	E	3.15	0.20	0.252
LPE4841ER152MG	1500	\pm 20 %	E	4.76	0.16	0.206
LPE4841ER222MG	2200	\pm 20 %	E	7.29	0.13	0.170
LPE4841ER332MG	3300	\pm 20 %	E	11.7	0.11	0.139
LPE4841ER472MG	4700	\pm 20 %	E	17.7	0.09	0.117

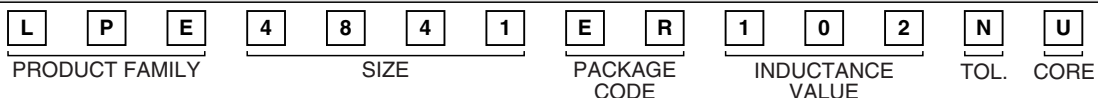
* DC current that will create a maximum temperature rise of 30 $^{\circ}$ C when applied at +25 $^{\circ}$ C ambient. ** DC current that will typically reduce the initial inductance by 20 %.

UNGAPPED MODELS: Highest possible inductance with the lowest DCR and highest Q capability. Beneficial in filter, impedance matching and line coupling devices.

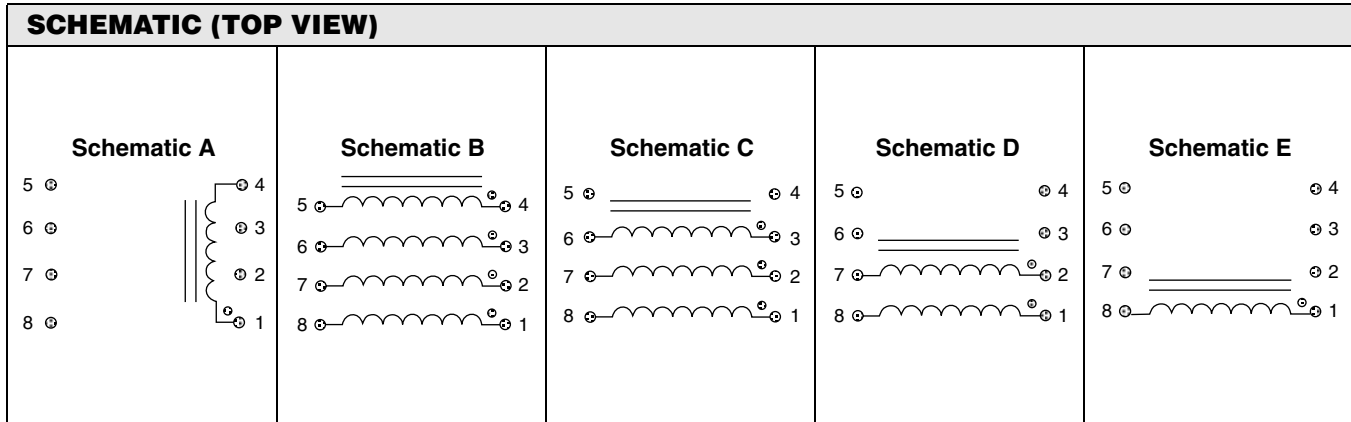
GAPPED MODELS: Capable of handling large amounts of DC current, tighter inductance tolerance with better temperature stability than ungapped models. Beneficial in DC to DC converters or other circuits carrying DC currents or requiring inductance stability over a temperature range.

DESCRIPTION

LPE 4841 1000 μ H \pm 30 % A ER e2
 MODEL SIZE INDUCTANCE VALUE INDUCTANCE TOLERANCE CORE PACKAGE CODE JEDEC LEAD (Pb)-FREE STANDARD

GLOBAL PART NUMBER


NOTE Series is also available with SnPb terminations by using package code RY for tape and reel (in place of ER) or SM for bulk (in place of EB).



NOTE: Schematic A is for Ungapped LPE Series

ENVIRONMENTAL PERFORMANCE	
TEST	CONDITIONS
Thermal Cycling	Withstands - 55 °C to + 125 °C
Operating Temperature	- 55 °C to + 125 °C*
High Humidity	85 %
Soldering Heat	Tested to + 230 °C
Mechanical Shock	Per MIL-STD-202, Method 213 (100G)
Vibration	Per MIL-STD-202, Method 204 (20G)
Solderability	Per industry standards

* Must be checked in end use application

PART MARKING
- Vishay Dale
- Date code
- Marking code (Suffix of model #)
- Pin 1 indicator

PACKAGING

TAPE SPECIFICATIONS:

Carrier Tape Type: Conductive
Cover Tape Type: Anti-static
Cover Tape Adhesion to Carrier: 40 ± 30 grams

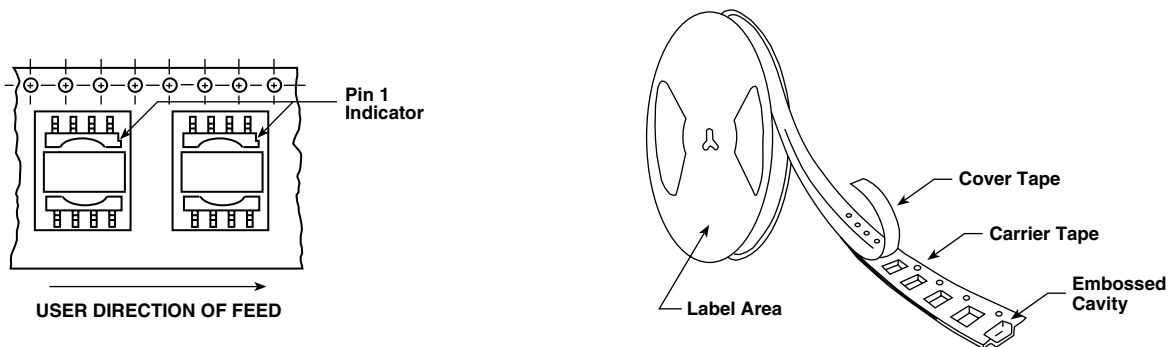
REEL SPECIFICATIONS:

Diameter (flange): 13" [330.2 mm]
Maximum Width (over flanges): 1.197" [30.4 mm]

STANDARDS: All embossed carrier tape packaging will be accomplished in compliance with latest revision of EIA-481 Taping of Surface Mount Components for Automatic Placement".

MODEL	TAPE WIDTH	COMPONENT PITCH	UNITS PER 13 INCH REEL
LPE-4841	24 mm	16 mm	600

Tape and Reel Orientation



NOTE: Top view shown with cover tape removed



Disclaimer

All product specifications and data are subject to change without notice.

Vishay Intertechnology, Inc., its affiliates, agents, and employees, and all persons acting on its or their behalf (collectively, "Vishay"), disclaim any and all liability for any errors, inaccuracies or incompleteness contained herein or in any other disclosure relating to any product.

Vishay disclaims any and all liability arising out of the use or application of any product described herein or of any information provided herein to the maximum extent permitted by law. The product specifications do not expand or otherwise modify Vishay's terms and conditions of purchase, including but not limited to the warranty expressed therein, which apply to these products.

No license, express or implied, by estoppel or otherwise, to any intellectual property rights is granted by this document or by any conduct of Vishay.

The products shown herein are not designed for use in medical, life-saving, or life-sustaining applications unless otherwise expressly indicated. Customers using or selling Vishay products not expressly indicated for use in such applications do so entirely at their own risk and agree to fully indemnify Vishay for any damages arising or resulting from such use or sale. Please contact authorized Vishay personnel to obtain written terms and conditions regarding products designed for such applications.

Product names and markings noted herein may be trademarks of their respective owners.

Компания «Life Electronics» занимается поставками электронных компонентов импортного и отечественного производства от производителей и со складов крупных дистрибьюторов Европы, Америки и Азии.

С конца 2013 года компания активно расширяет линейку поставок компонентов по направлению коаксиальный кабель, кварцевые генераторы и конденсаторы (керамические, пленочные, электролитические), за счёт заключения дистрибьюторских договоров

Мы предлагаем:

- Конкурентоспособные цены и скидки постоянным клиентам.
- Специальные условия для постоянных клиентов.
- Подбор аналогов.
- Поставку компонентов в любых объемах, удовлетворяющих вашим потребностям.
- Приемлемые сроки поставки, возможна ускоренная поставка.
- Доставку товара в любую точку России и стран СНГ.
- Комплексную поставку.
- Работу по проектам и поставку образцов.
- Формирование склада под заказчика.
- Сертификаты соответствия на поставляемую продукцию (по желанию клиента).
- Тестирование поставляемой продукции.
- Поставку компонентов, требующих военную и космическую приемку.
- Входной контроль качества.
- Наличие сертификата ISO.

В составе нашей компании организован Конструкторский отдел, призванный помогать разработчикам, и инженерам.

Конструкторский отдел помогает осуществить:

- Регистрацию проекта у производителя компонентов.
- Техническую поддержку проекта.
- Защиту от снятия компонента с производства.
- Оценку стоимости проекта по компонентам.
- Изготовление тестовой платы монтаж и пусконаладочные работы.



Тел: +7 (812) 336 43 04 (многоканальный)
Email: org@lifeelectronics.ru