

**DG401, DG403**

Monolithic CMOS Analog Switches

FN3284  
Rev 11.00  
Nov 20, 2006

The DG401 and DG403 monolithic CMOS analog switches have TTL and CMOS compatible digital inputs.

These switches feature low analog ON resistance (<45Ω) and fast switch time (t<sub>ON</sub><150ns). Low charge injection simplifies sample and hold applications.

The improvements in the DG401, DG403 series are made possible by using a high voltage silicon-gate process. An epitaxial layer prevents the latch-up associated with older CMOS technologies. The 44V maximum voltage range permits controlling 30V<sub>P-P</sub> signals. Power supplies may be single-ended from +5V to +34V, or split from ±5V to ±17V.

The analog switches are bilateral, equally matched for AC or bidirectional signals. The ON resistance variation with analog signals is quite low over a ±15V analog input range. The three different devices provide the equivalent of two SPST (DG401) or two SPDT (DG403) relay switch contacts with CMOS or TTL level activation. The pinout is similar, permitting a standard layout to be used, choosing the switch function as needed.

**Pinouts**



NOTE: (NC) No Connection.

**Features**

- ON Resistance (Max) . . . . . 45Ω
- Low Power Consumption (P<sub>D</sub>) . . . . . <35μW
- Fast Switching Action
  - t<sub>ON</sub> (Max) . . . . . 150ns
  - t<sub>OFF</sub> (Max) . . . . . 100ns
- Low Charge Injection
- DG401 Dual SPST; Same Pinout as HI-5041
- DG403 Dual SPDT; DG190, IH5043, IH5151, HI-5051
- TTL, CMOS Compatible
- Single or Split Supply Operation
- Pb-Free Plus Anneal Available (RoHS Compliant)

**Applications**

- Audio Switching
- Battery Operated Systems
- Data Acquisition
- Hi-Rel Systems
- Sample and Hold Circuits
- Communication Systems
- Automatic Test Equipment

**Ordering Information**

| PART NUMBER*     | PART MARKING | TEMP. RANGE (°C) | PACKAGE               | PKG. DWG. # |
|------------------|--------------|------------------|-----------------------|-------------|
| DG401DY*         | DG401DY      | -40 to +85       | 16 Ld SOIC            | M16.15      |
| DG401DYZ* (Note) | DG401DYZ     | -40 to +85       | 16 Ld SOIC (Pb-free)  | M16.15      |
| DG401DVZ* (Note) | DG401 DVZ    | -40 to +85       | 16 Ld TSSOP (Pb-free) | M16.173     |
| DG403DY*         | DG403DY      | -40 to +85       | 16 Ld SOIC            | M16.15      |
| DG403DYZ* (Note) | DG403DYZ     | -40 to +85       | 16 Ld SOIC (Pb-free)  | M16.15      |
| DG403DVZ* (Note) | DG403 DVZ    | -40 to +85       | 16 Ld TSSOP (Pb-free) | M16.173     |

\*Add "-T" suffix for tape and reel.

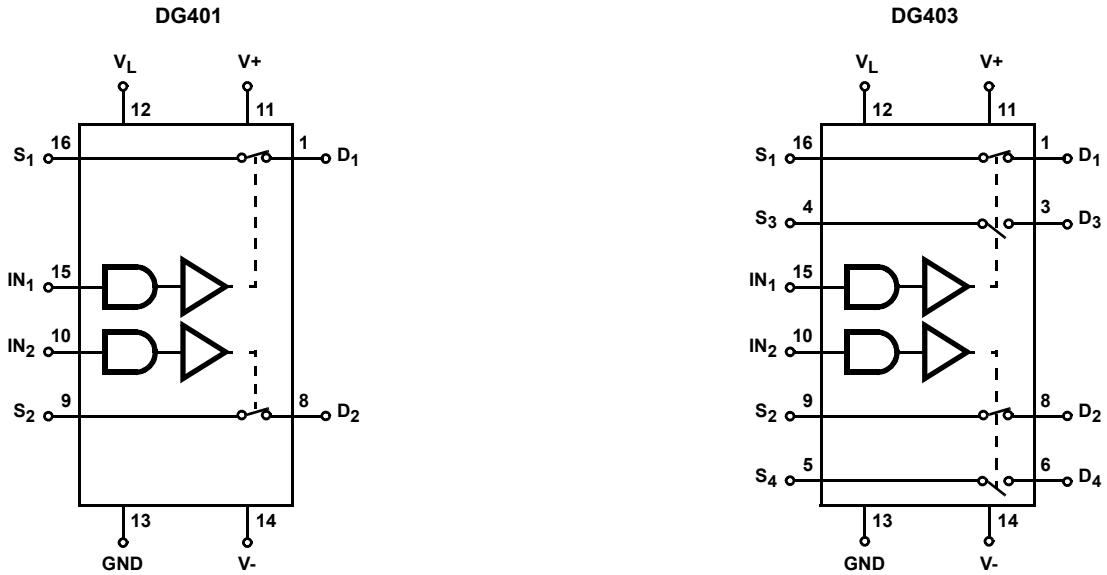
NOTE: Intersil Pb-free plus anneal products employ special Pb-free material sets; molding compounds/die attach materials and 100% matte tin plate termination finish, which are RoHS compliant and compatible with both SnPb and Pb-free soldering operations. Intersil Pb-free products are MSL classified at Pb-free peak reflow temperatures that meet or exceed the Pb-free requirements of IPC/JEDEC J STD-020.

TRUTH TABLE

| LOGIC | DG401  | DG403       |             |
|-------|--------|-------------|-------------|
|       | SWITCH | SWITCH 1, 2 | SWITCH 3, 4 |
| 0     | OFF    | OFF         | ON          |
| 1     | ON     | ON          | OFF         |

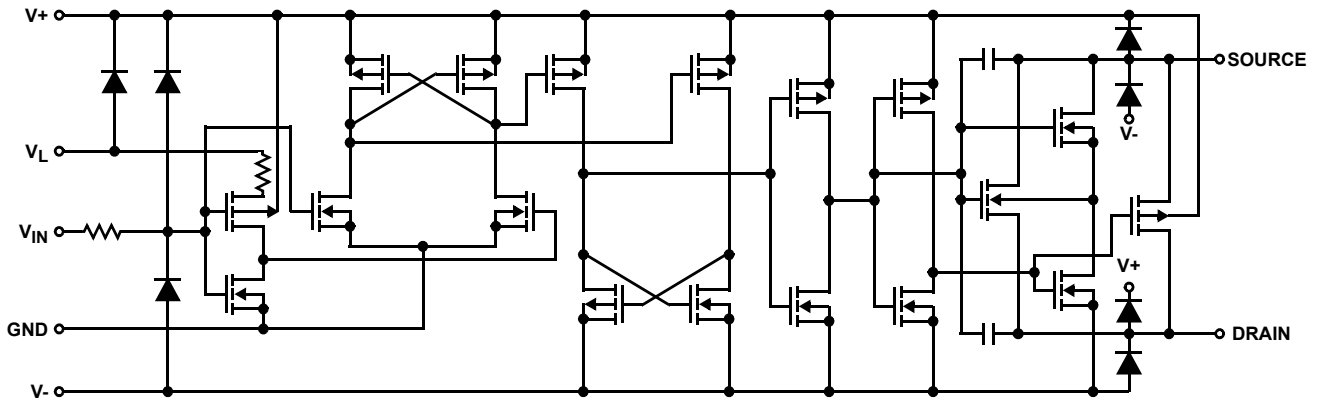
NOTE: Logic "0"  $\leq 0.8V$ . Logic "1"  $\geq 2.4V$ .

Functional Diagrams



SWITCHES SHOWN FOR LOGIC "1" INPUT

Schematic Diagram



**Absolute Maximum Ratings**

|   |  |
|---|--|
| V+ to V-  | 44.0V  |
| GND to V-   | 25V  |
| V <sub>L</sub>  | (GND - 0.3V) to (V+) +0.3V                               |
| Digital Inputs V <sub>S</sub> , V <sub>D</sub> (Note 1) | (V-) -2V to (V+) + 2V or 30mA,<br>Whichever Occurs First |
| Continuous Current (Any Terminal)                       | 30mA   |
| Peak Current, S or D (Pulsed 1ms, 10% Duty Cycle, Max)  | 100mA  |

**Thermal Information**

|  |  |
|--|--|
| Thermal Resistance (Typical, Note 2)           | $\theta_{JA}$ (°C/W)                       |
| SOIC Package                                   | 115  |
| TSSOP Package                                  | 150  |
| Maximum Junction Temperature (Plastic Package) | +150°C                                     |
| Maximum Storage Temperature Range              | -65°C to +150°C                            |
| Maximum Lead Temperature (Soldering 10s)       | +300°C<br>(SOIC and TSSOP- Lead Tips Only) |

**Operating Conditions**

|                          |                |
|--------------------------|----------------|
| Temperature Range        | -40°C to +85°C |
| Voltage Range            | ±20V (Max)     |
| Input Low Voltage        | 0.8V (Max)     |
| Input High Voltage       | 2.4V (Min)     |
| Input Rise and Fall Time | ≤20ns          |

CAUTION: Stresses above those listed in "Absolute Maximum Ratings" may cause permanent damage to the device. This is a stress only rating and operation of the device at these or any other conditions above those indicated in the operational sections of this specification is not implied.

NOTES:

1. Signals on S<sub>X</sub>, D<sub>X</sub>, or IN<sub>X</sub> exceeding V+ or V- will be clamped by internal diodes. Limit forward diode current to maximum current ratings.
2.  $\theta_{JA}$  is measured with the component mounted on a high effective thermal conductivity test board in free air. See Tech Brief TB379 for details.

**Electrical Specifications** Test Conditions: V+ = +15V, V- = -15V, V<sub>IN</sub> = 2.4V, 0.8V (Note 3), V<sub>L</sub> = 5V, Unless Otherwise Specified

| PARAMETER   | TEST CONDITIONS   | TEMP (°C) | (NOTE 4) MIN | (NOTE 5) TYP | (NOTE 4) MAX | UNITS |
|---|---|-----------|--------------|--------------|--------------|-------|
| <b>DYNAMIC CHARACTERISTICS</b>                                      |   |           |              |              |              |       |
| Turn-ON Time, t <sub>ON</sub>                                       | R <sub>L</sub> = 300Ω, C <sub>L</sub> = 35pF                                | +25       | -            | 100          | 150          | ns    |
| Turn-OFF Time, t <sub>OFF</sub>                                     |   | +25       | -            | 60           | 100          | ns    |
| Break-Before-Make Time Delay (DG403), t <sub>D</sub>                | R <sub>L</sub> = 300Ω, C <sub>L</sub> = 35pF                                | +25       | 5            | 12           | -            | ns    |
| Charge Injection, Q (Figure 3)                                      | C <sub>L</sub> = 10nF, V <sub>G</sub> = 0V, R <sub>G</sub> = 0Ω             | +25       | -            | 60           | -            | pC    |
| OFF Isolation (Figure 4)  | R <sub>L</sub> = 100Ω, C <sub>L</sub> = 5pF, f = 1MHz                       | +25       | -            | 72           | -            | dB    |
| Crosstalk (Channel-to-Channel) (Figure 6)                           |   | +25       | -            | -90          | -            | dB    |
| Source OFF Capacitance, C <sub>S(OFF)</sub>                         | f = 1MHz, V <sub>S</sub> = V <sub>D</sub> = 0V (Figure 7)                   | +25       | -            | 12           | -            | pF    |
| Drain OFF Capacitance, C <sub>D(OFF)</sub>                          |   | +25       | -            | 12           | -            | pF    |
| Channel ON Capacitance, C <sub>D(ON)</sub> + C <sub>S(ON)</sub>     |   | +25       | -            | 39           | -            | pF    |
| <b>DIGITAL INPUT CHARACTERISTICS</b>                                |   |           |              |              |              |       |
| Input Current with V <sub>IN</sub> Low, I <sub>IL</sub>             | V <sub>IN</sub> Under Test = 0.8V, All Others = 2.4V                        | Full      | -1           | 0.005        | 1            | μA    |
| Input Current with V <sub>IN</sub> High, I <sub>IH</sub>            | V <sub>IN</sub> Under Test = 2.4V, All Others = 0.8V                        | Full      | -1           | 0.005        | 1            | μA    |
| <b>ANALOG SWITCH CHARACTERISTICS</b>                                |   |           |              |              |              |       |
| Analog Signal Range, V <sub>ANALOG</sub>                            |   | Full      | -15          | -            | 15           | V     |
| Drain-Source ON Resistance, r <sub>DS(ON)</sub>                     | V+ = 13.5V, V- = -13.5V, I <sub>S</sub> = ±10mA, V <sub>D</sub> = ±10V      | +25       | -            | 20           | 45           | Ω     |
|   |   | Full      | -            | -            | 55           | Ω     |
| r <sub>DS(ON)</sub> Matching Between Channels, Δr <sub>DS(ON)</sub> | V+ = 16.5V, V- = -16.5V, I <sub>S</sub> = -10mA, V <sub>D</sub> = 5, 0, -5V | +25       | -            | 3            | 3            | Ω     |
|   |   | Full      | -            | -            | 5            | Ω     |
| Source OFF Leakage Current, I <sub>S(OFF)</sub>                     | V+ = 16.5V, V- = -16.5V, V <sub>D</sub> = ±15.5V, V <sub>S</sub> = ±15.5V   | +25       | -0.5         | -0.01        | 0.5          | nA    |
|   |   | Full      | -5           | -            | 5            | nA    |
| Drain OFF Leakage Current, I <sub>D(OFF)</sub>                      |   | +25       | -0.5         | -0.01        | 0.5          | nA    |
|   |   | Full      | -5           | -            | 5            | nA    |
| Channel ON Leakage Current, I <sub>D(ON)</sub> + I <sub>S(ON)</sub> | V± = ±16.5V, V <sub>D</sub> = V <sub>S</sub> = ±15.5V                       | +25       | -1           | -0.04        | 1            | nA    |
|   |   | Full      | -10          | -            | 10           | nA    |

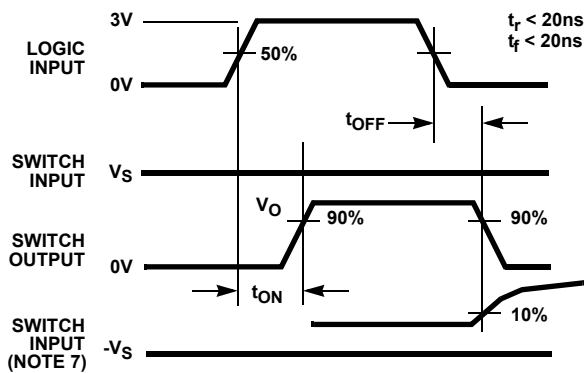
**Electrical Specifications** Test Conditions:  $V_+ = +15V$ ,  $V_- = -15V$ ,  $V_{IN} = 2.4V, 0.8V$  (Note 3),  $V_L = 5V$ ,  
Unless Otherwise Specified **(Continued)**

| PARAMETER                           | TEST CONDITIONS   | TEMP (°C) | (NOTE 4) MIN | (NOTE 5) TYP | (NOTE 4) MAX | UNITS   |
|-------------------------------------|---|-----------|--------------|--------------|--------------|---------|
| <b>POWER SUPPLY CHARACTERISTICS</b> |   |           |              |              |              |         |
| Positive Supply Current, $I_+$      | $V_+ = 16.5V$ , $V_- = -16.5V$ ,<br>$V_{IN} = 0V$ or $5V$ | +25       | -            | 0.01         | 1            | $\mu A$ |
|                                     |   | Full      | -            | -            | 5            | $\mu A$ |
| Negative Supply Current, $I_-$      |   | +25       | -1           | -0.01        | -            | $\mu A$ |
|                                     |   | Full      | -5           | -            | -            | $\mu A$ |
| Logic Supply Current, $I_L$         |   | +25       | -            | 0.01         | 1            | $\mu A$ |
|                                     |   | Full      | -            | -            | 5            | $\mu A$ |
| Ground Current, $I_{GND}$           |   | +25       | -1           | -0.01        | -            | $\mu A$ |
|                                     |   | Full      | -5           | -            | -            | $\mu A$ |

NOTES:

- $V_{IN}$  = input voltage to perform proper function.
- The algebraic convention whereby the most negative value is a minimum and the most positive a maximum, is used in this data sheet.
- Typical values are for DESIGN AID ONLY, not guaranteed nor subject to production testing.

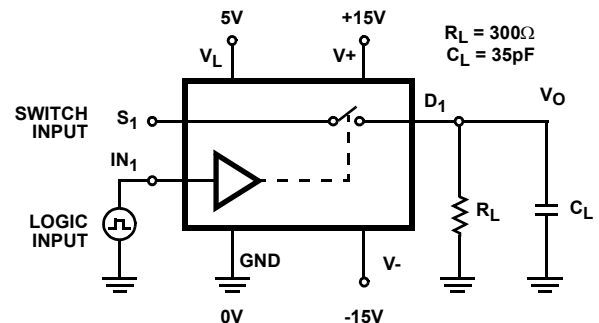
**Test Circuits and Waveforms**



NOTES:

- Logic input waveform is inverted for switches that have the opposite logic sense.
- $V_S = 10V$  for  $t_{ON}$ ,  $V_S = -10V$  for  $t_{OFF}$ .

FIGURE 1A. MEASUREMENT POINTS



Repeat test for  $IN_2$  and  $S_2$ .  
For load conditions, see Specifications.  $C_L$  includes fixture and stray capacitance.

$$V_O = V_S \frac{R_L}{R_L + r_{DS(ON)}}$$

FIGURE 1B. TEST CIRCUIT

FIGURE 1. SWITCHING TIMES

**Test Circuits and Waveforms** (Continued)

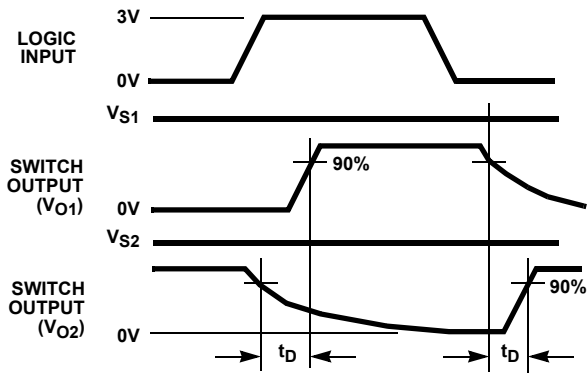


FIGURE 2A. MEASUREMENT POINTS

FIGURE 2. BREAK-BEFORE-MAKE TIME



FIGURE 3A. MEASUREMENT POINTS

FIGURE 3. CHARGE INJECTION



$C_L$  includes fixture and stray capacitance.

FIGURE 2B. TEST CIRCUIT



FIGURE 3B. TEST CIRCUIT



FIGURE 4. OFF ISOLATION TEST CIRCUIT



FIGURE 5. INSERTION LOSS TEST CIRCUIT

**Test Circuits and Waveforms** (Continued)



FIGURE 6. CROSTALK TEST CIRCUIT

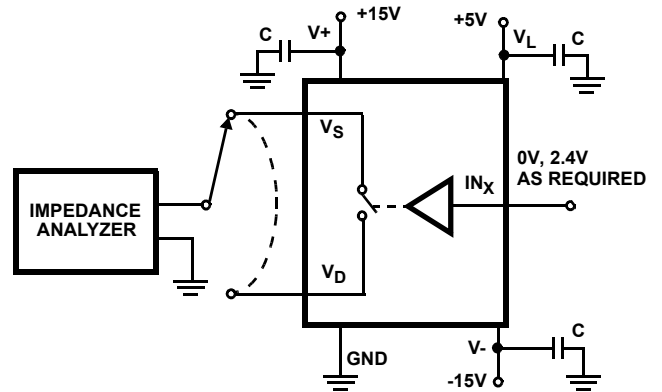


FIGURE 7. CAPACITANCES TEST CIRCUIT

**Application Information**

**Dual Slope Integrators**

The DG403 is well suited to configure a selectable slope integrator. One control signal selects the timing capacitor  $C_1$  or  $C_2$ . Another one selects  $e_{IN}$  or discharges the capacitor in preparation for the next integration cycle.

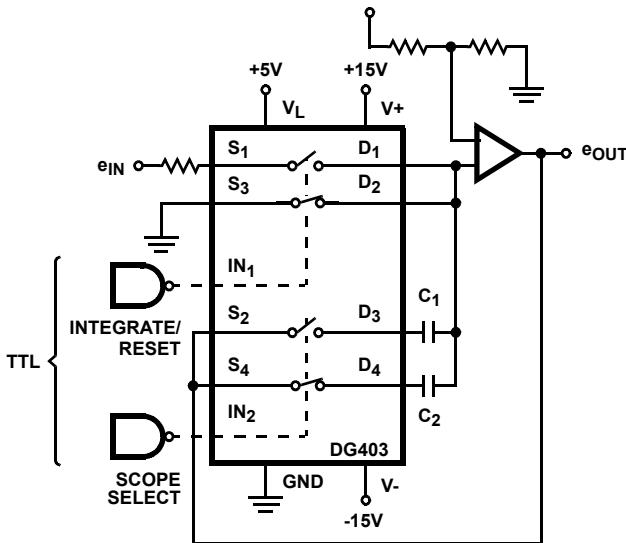


FIGURE 8. DUAL SLOPE INTEGRATOR

**Peak Detector**

$A_3$  acting as a comparator provides the logic drive for operating  $SW_1$ . The output of  $A_2$  is fed back to  $A_3$  and compared to the analog input  $e_{IN}$ . If  $e_{IN} > e_{OUT}$  the output of  $A_3$  is high keeping  $SW_1$  closed. This allows  $C_1$  to charge up to the analog input voltage. When  $e_{IN}$  goes below  $e_{OUT}$ ,  $A_3$  goes negative, turning  $SW_1$  off. The system will therefore store the most positive analog input experienced.

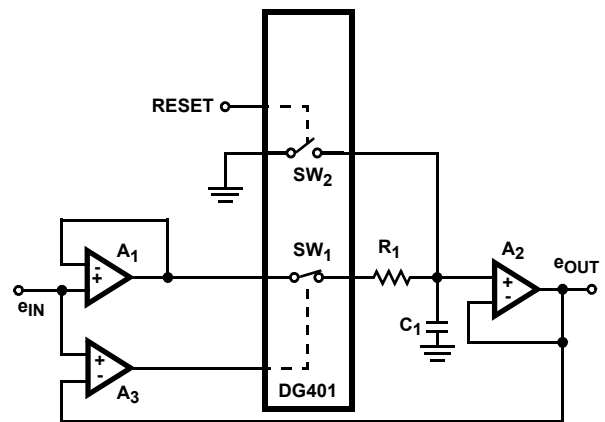


FIGURE 9. POSITIVE PEAK DETECTOR

### Typical Performance Curves

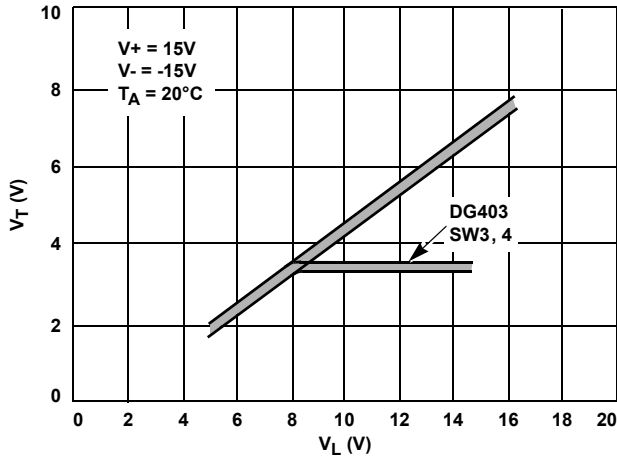


FIGURE 10. INPUT SWITCHING THRESHOLD vs LOGIC SUPPLY VOLTAGE

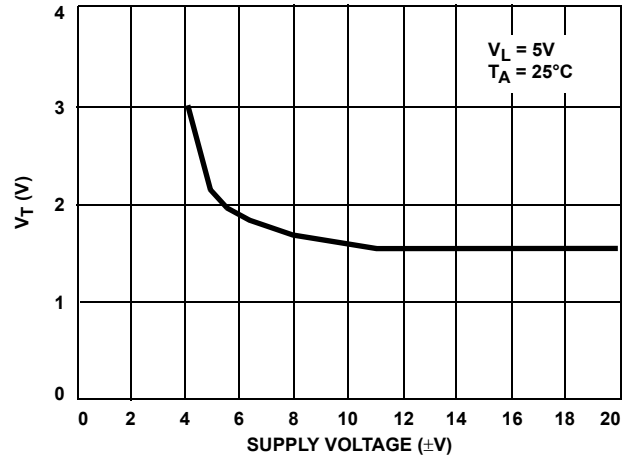


FIGURE 11. INPUT SWITCHING THRESHOLD vs POWER SUPPLY VOLTAGE

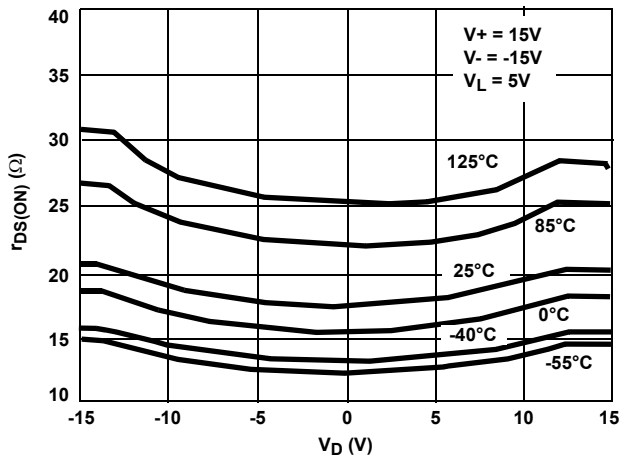


FIGURE 12.  $r_{DS(ON)}$  vs  $V_D$  AND TEMPERATURE

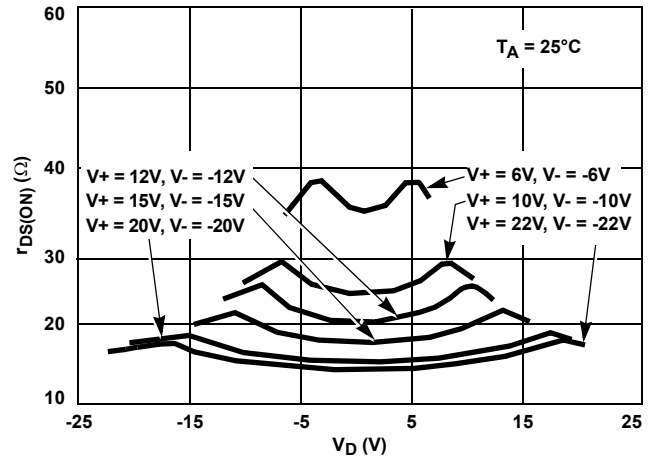


FIGURE 13.  $r_{DS(ON)}$  vs  $V_D$  AND POWER SUPPLY VOLTAGE

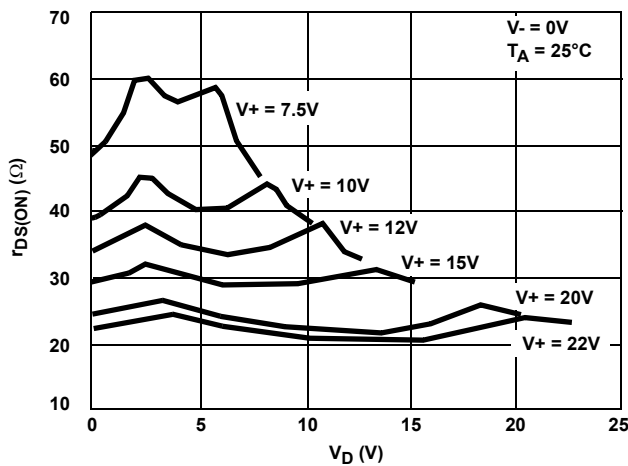


FIGURE 14.  $r_{DS(ON)}$  vs  $V_D$  AND SINGLE SUPPLY VOLTAGE

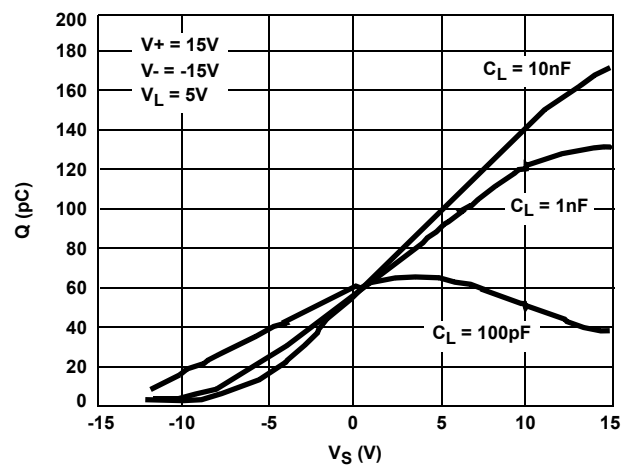


FIGURE 15. CHARGE INJECTION vs SOURCE VOLTAGE

**Typical Performance Curves** (Continued)



FIGURE 16. INSERTION LOSS vs FREQUENCY



FIGURE 17.  $I_{S(OFF)}$  vs TEMPERATURE



FIGURE 18.  $I_{D(OFF)}$  vs TEMPERATURE



FIGURE 19.  $I_{D(ON)} + I_{S(ON)}$  vs TEMPERATURE



FIGURE 20. LEAKAGE CURRENTS vs ANALOG VOLTAGE



FIGURE 21. SUPPLY CURRENT vs TEMPERATURE



**Typical Performance Curves** (Continued)



FIGURE 22. BREAK-BEFORE-MAKE vs ANALOG VOLTAGE



FIGURE 23. BREAK-BEFORE-MAKE vs POWER SUPPLY VOLTAGE



FIGURE 24. SWITCHING TIME vs INPUT LOGIC VOLTAGE (NOTE 8)



FIGURE 25. SWITCHING TIME vs TEMPERATURE (NOTE 8)

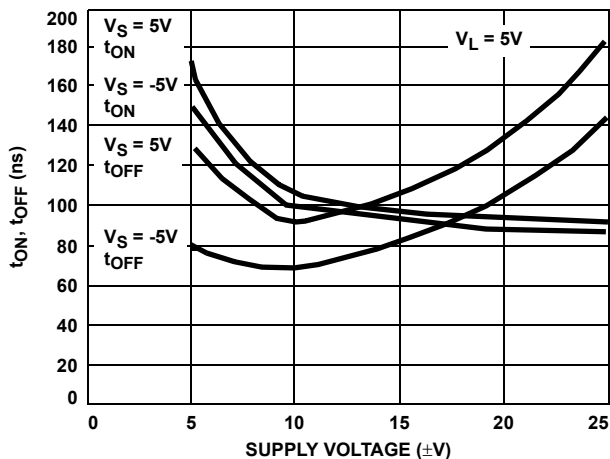


FIGURE 26. SWITCHING TIME vs POWER SUPPLY VOLTAGE (NOTE 8)

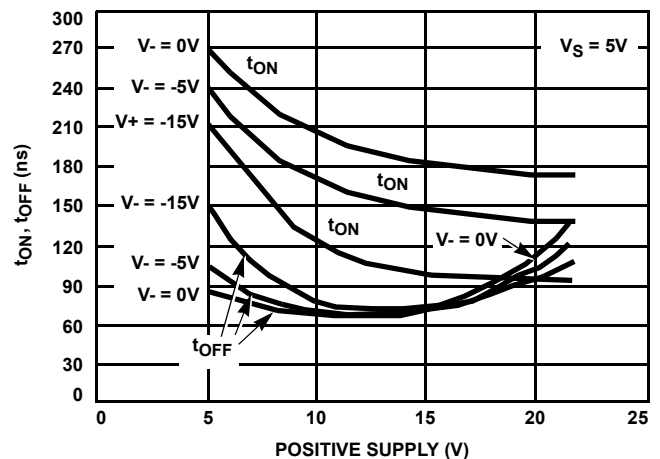


FIGURE 27. SWITCHING TIME vs POSITIVE SUPPLY VOLTAGE (NOTE 8)

**Typical Performance Curves** (Continued)

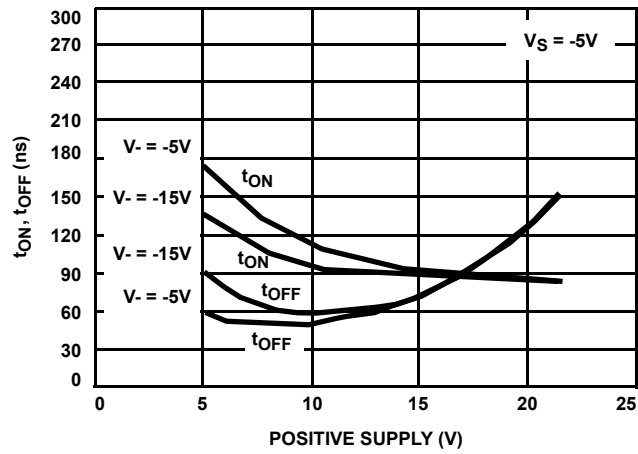


FIGURE 28. SWITCHING TIME vs POSITIVE SUPPLY VOLTAGE (NOTE 8)

NOTE:

- 8. Refer to Figure 1 for test conditions.

**Thin Shrink Small Outline Plastic Packages (TSSOP)**



**M16.173**  
16 LEAD THIN SHRINK SMALL OUTLINE PLASTIC PACKAGE

| SYMBOL | INCHES    |       | MILLIMETERS |      | NOTES |
|--------|-----------|-------|-------------|------|-------|
|        | MIN       | MAX   | MIN         | MAX  |       |
| A      | -         | 0.043 | -           | 1.10 | -     |
| A1     | 0.002     | 0.006 | 0.05        | 0.15 | -     |
| A2     | 0.033     | 0.037 | 0.85        | 0.95 | -     |
| b      | 0.0075    | 0.012 | 0.19        | 0.30 | 9     |
| c      | 0.0035    | 0.008 | 0.09        | 0.20 | -     |
| D      | 0.193     | 0.201 | 4.90        | 5.10 | 3     |
| E1     | 0.169     | 0.177 | 4.30        | 4.50 | 4     |
| e      | 0.026 BSC |       | 0.65 BSC    |      | -     |
| E      | 0.246     | 0.256 | 6.25        | 6.50 | -     |
| L      | 0.020     | 0.028 | 0.50        | 0.70 | 6     |
| N      | 16        |       | 16          |      | 7     |
| α      | 0°        | 8°    | 0°          | 8°   | -     |

**NOTES:**

1. These package dimensions are within allowable dimensions of JEDEC MO-153-AB, Issue E.
2. Dimensioning and tolerancing per ANSI Y14.5M-1982.
3. Dimension "D" does not include mold flash, protrusions or gate burrs. Mold flash, protrusion and gate burrs shall not exceed 0.15mm (0.006 inch) per side.
4. Dimension "E1" does not include interlead flash or protrusions. Interlead flash and protrusions shall not exceed 0.15mm (0.006 inch) per side.
5. The chamfer on the body is optional. If it is not present, a visual index feature must be located within the crosshatched area.
6. "L" is the length of terminal for soldering to a substrate.
7. "N" is the number of terminal positions.
8. Terminal numbers are shown for reference only.
9. Dimension "b" does not include dambar protrusion. Allowable dambar protrusion shall be 0.08mm (0.003 inch) total in excess of "b" dimension at maximum material condition. Minimum space between protrusion and adjacent lead is 0.07mm (0.0027 inch).
10. Controlling dimension: MILLIMETER. Converted inch dimensions are not necessarily exact. (Angles in degrees)

Rev. 1 2/02

**Small Outline Plastic Packages (SOIC)**



**M16.15 (JEDEC MS-012-AC ISSUE C)  
16 LEAD NARROW BODY SMALL OUTLINE PLASTIC PACKAGE**

| SYMBOL   | INCHES    |        | MILLIMETERS |       | NOTES |
|----------|-----------|--------|-------------|-------|-------|
|          | MIN       | MAX    | MIN         | MAX   |       |
| A        | 0.0532    | 0.0688 | 1.35        | 1.75  | -     |
| A1       | 0.0040    | 0.0098 | 0.10        | 0.25  | -     |
| B        | 0.013     | 0.020  | 0.33        | 0.51  | 9     |
| C        | 0.0075    | 0.0098 | 0.19        | 0.25  | -     |
| D        | 0.3859    | 0.3937 | 9.80        | 10.00 | 3     |
| E        | 0.1497    | 0.1574 | 3.80        | 4.00  | 4     |
| e        | 0.050 BSC |        | 1.27 BSC    |       | -     |
| H        | 0.2284    | 0.2440 | 5.80        | 6.20  | -     |
| h        | 0.0099    | 0.0196 | 0.25        | 0.50  | 5     |
| L        | 0.016     | 0.050  | 0.40        | 1.27  | 6     |
| N        | 16        |        | 16          |       | 7     |
| $\alpha$ | 0°        | 8°     | 0°          | 8°    | -     |

**NOTES:**

1. Symbols are defined in the "MO Series Symbol List" in Section 2.2 of Publication Number 95.
2. Dimensioning and tolerancing per ANSI Y14.5M-1982.
3. Dimension "D" does not include mold flash, protrusions or gate burrs. Mold flash, protrusion and gate burrs shall not exceed 0.15mm (0.006 inch) per side.
4. Dimension "E" does not include interlead flash or protrusions. Interlead flash and protrusions shall not exceed 0.25mm (0.010 inch) per side.
5. The chamfer on the body is optional. If it is not present, a visual index feature must be located within the crosshatched area.
6. "L" is the length of terminal for soldering to a substrate.
7. "N" is the number of terminal positions.
8. Terminal numbers are shown for reference only.
9. The lead width "B", as measured 0.36mm (0.014 inch) or greater above the seating plane, shall not exceed a maximum value of 0.61mm (0.024 inch).
10. Controlling dimension: MILLIMETER. Converted inch dimensions are not necessarily exact.

Rev. 1 6/05

© Copyright Intersil Americas LLC 1999-2006. All Rights Reserved.  
All trademarks and registered trademarks are the property of their respective owners.

For additional products, see [www.intersil.com/en/products.html](http://www.intersil.com/en/products.html)

Intersil products are manufactured, assembled and tested utilizing ISO9001 quality systems as noted in the quality certifications found at [www.intersil.com/en/support/qualandreliability.html](http://www.intersil.com/en/support/qualandreliability.html)

Intersil products are sold by description only. Intersil may modify the circuit design and/or specifications of products at any time without notice, provided that such modification does not, in Intersil's sole judgment, affect the form, fit or function of the product. Accordingly, the reader is cautioned to verify that datasheets are current before placing orders. Information furnished by Intersil is believed to be accurate and reliable. However, no responsibility is assumed by Intersil or its subsidiaries for its use; nor for any infringements of patents or other rights of third parties which may result from its use. No license is granted by implication or otherwise under any patent or patent rights of Intersil or its subsidiaries.

For information regarding Intersil Corporation and its products, see [www.intersil.com](http://www.intersil.com)

Компания «Life Electronics» занимается поставками электронных компонентов импортного и отечественного производства от производителей и со складов крупных дистрибьюторов Европы, Америки и Азии.

С конца 2013 года компания активно расширяет линейку поставок компонентов по направлению коаксиальный кабель, кварцевые генераторы и конденсаторы (керамические, пленочные, электролитические), за счёт заключения дистрибьюторских договоров

Мы предлагаем:

- Конкурентоспособные цены и скидки постоянным клиентам.
- Специальные условия для постоянных клиентов.
- Подбор аналогов.
- Поставку компонентов в любых объемах, удовлетворяющих вашим потребностям.
- Приемлемые сроки поставки, возможна ускоренная поставка.
- Доставку товара в любую точку России и стран СНГ.
- Комплексную поставку.
- Работу по проектам и поставку образцов.
- Формирование склада под заказчика.
- Сертификаты соответствия на поставляемую продукцию (по желанию клиента).
- Тестирование поставляемой продукции.
- Поставку компонентов, требующих военную и космическую приемку.
- Входной контроль качества.
- Наличие сертификата ISO.

В составе нашей компании организован Конструкторский отдел, призванный помогать разработчикам, и инженерам.

Конструкторский отдел помогает осуществить:

- Регистрацию проекта у производителя компонентов.
- Техническую поддержку проекта.
- Защиту от снятия компонента с производства.
- Оценку стоимости проекта по компонентам.
- Изготовление тестовой платы монтаж и пусконаладочные работы.



Тел: +7 (812) 336 43 04 (многоканальный)

Email: [org@lifeelectronics.ru](mailto:org@lifeelectronics.ru)