



FCIconnect.com

Copyright FCI.

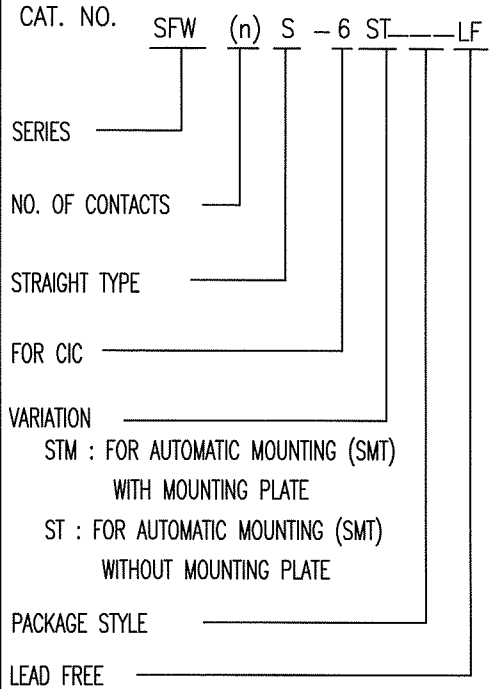
# Configuration of Documents

| P/N              | Documents                    | No.                          | Title  | CAT.No.  |                |
|------------------|------------------------------|------------------------------|--|--|----------------|
| SFW_S-25T(M)E1   | Specification Connector dwg. | SC-SFWS01                    | CAT.NO.TABLE FOR 1mm SPACING SMT CONNECTOR                     | SFW_S-25T  |                |
|                  |                              | JSA93342                     | 1mm SPACING SURFACE MOUNT FPC/FFC CONNECTOR                    | SFW_S-25T  |                |
|                  |                              | JSA93579                     | 1mm SPACING SURFACE MOUNT FPC/FFC CONNECTOR                    | SFW_S-25TM   |                |
|                  |                              | JSA93836                     | CAT. NO. TABLE FOR PLASTIC TAPE PACKAGED 1mm SPACING SMT CONN. | SFW_S-25T_E1   |                |
|                  |                              | JSA93343                     | PLASTIC TAPE PACKAGED 1mm SPACING SMT CONNECTOR                | SFW_S-25T_E1   |                |
|                  |                              | JSA93338                     | RECOMMENDED CABLE  | SFW_S-25T  |                |
|                  |                              | JSA93340                     | RECOMMENDED CABLE  | SFW_S-25T  |                |
|                  |                              | JSA93341                     | RECOMMENDED CABLE  | SFW_S-25T  |                |
|                  |                              | Manual                       | BJM-SFWS101  |  |                |
|                  |                              | Specification Connector dwg. | SC-SFWS02  | CAT.NO.TABLE FOR 1mm SPACING SMT CONNECTOR                     | SFW_S-65T      |
| SFW_S-65T(M)E1   |                              | JSA93900                     | 1mm SPACING SURFACE MOUNT C/C CONNECTOR                        | SFW_S-65T  |                |
|                  |                              | JSA93905                     | 1mm SPACING SURFACE MOUNT C/C CONNECTOR                        | SFW_S-65TM   |                |
|                  |                              | JSA93901                     | CAT. NO. TABLE FOR PLASTIC TAPE PACKAGED 1mm SPACING SMT CONN. | SFW_S-65T_E1   |                |
|                  |                              | JSA93902                     | PLASTIC TAPE PACKAGED 1mm SPACING SMT CONNECTOR                | SFW_S-65T_E1   |                |
|                  |                              | JSA93903                     | RECOMMENDED CABLE  | SFW_S-65T  |                |
|                  |                              | JSA93904                     | RECOMMENDED CABLE  | SFW_S-65T  |                |
|                  |                              | Manual                       | BJM-SFWS102  |  |                |
|                  |                              | Specification Connector dwg. | SC-SFWS03  | CAT.NO.TABLE FOR 1mm SPACING SMT CONNECTOR                     | SFW_S-25T_LF   |
|                  |                              |                              | JSA96516   | 1mm SPACING SURFACE MOUNT FPC/FFC CONNECTOR                    | SFW_S-25T_LF   |
|                  |                              |                              | JSA96517   | 1mm SPACING SURFACE MOUNT FPC/FFC CONNECTOR                    | SFW_S-25TM_LF  |
| SFW_S-25T(M)E1LF |                              | JSA96518                     | CAT. NO. TABLE FOR PLASTIC TAPE PACKAGED 1mm SPACING SMT CONN. | SFW_S-25T_E1LF   |                |
|                  |                              | JSA96519                     | PLASTIC TAPE PACKAGED 1mm SPACING SMT CONNECTOR                | SFW_S-25T_E1LF   |                |
|                  |                              | JSA96520                     | RECOMMENDED CABLE  | SFW_S-25T_LF   |                |
|                  |                              | JSA93340                     | RECOMMENDED CABLE  | SFW_S-25T_LF   |                |
|                  |                              | JSA93341                     | RECOMMENDED CABLE  | SFW_S-25T_LF   |                |
|                  |                              | Manual                       | BJM-SFWS101  |  |                |
|                  |                              | Specification Connector dwg. | SC-SFWS04  | CAT. NO. TABLE FOR 1mm SPACING SMT CONNECTOR                   | SFW_S-65T_LF   |
|                  |                              |                              | JSA96521   | 1mm SPACING SURFACE MOUNT C/C CONNECTOR                        | SFW_S-65T_LF   |
|                  |                              |                              | JSA96522   | 1mm SPACING SURFACE MOUNT C/C CONNECTOR                        | SFW_S-65TM_LF  |
|                  |                              |                              | JSA96523   | CAT. NO. TABLE FOR PLASTIC TAPE PACKAGED 1mm SPACING SMT CONN. | SFW_S-65T_E1LF |
| SFW_S-65T(M)E1LF |                              | JSA96524                     | PLASTIC TAPE PACKAGED 1mm SPACING SMT CONNECTOR                | SFW_S-65T_E1LF   |                |
|                  |                              | JSA96525                     | RECOMMENDED CABLE  | SFW_S-65T_LF   |                |
|                  |                              | JSA93904                     | RECOMMENDED CABLE  | SFW_S-65T_LF   |                |
|                  |                              | Manual                       | BJM-SFWS102  |  |                |

|             |          |  |           |                                       |        |   |  |                          |  |
|-------------|----------|--|-----------|---------------------------------------|--------|---|--|--------------------------|--|
| mat'l. code |          | surface 58 / tolerance ISO 1302 / ISO 406 / ISO 1101 |           | projection                            |        | product family 58SF                                   |  | CODE JP                  |  |
| ltr         | ecn no   | dr   | date      | tolerances unless otherwise specified |        | title   |  | sheet 1 of 1             |  |
| A           | J05-0334 | H.T  | 6/3/'05   | angles                                | linear | SFW_S Documents Configuration (1mm Spacing connector) |  | size A4                  |  |
| B           | J05-0377 | H.T  | 6/22/'05  |                                       |        | scale   |  | sheet 1 of 1             |  |
| C           | J06-0430 | H.T  | 10/19/'06 |                                       |        | mm  |  | sheet 1 of 1             |  |
|             |          | dr   |           |                                       |        | scale   |  | sheet 1 of 1             |  |
|             |          | enr  |           |                                       |        | FCI   |  | sheet 1 of 1             |  |
|             |          | chr  |           |                                       |        |   |  | sheet 1 of 1             |  |
|             |          | appd   |           |                                       |        |   |  | sheet 1 of 1             |  |
| sheet index |          | revision sheet                                       | C 1       |                                       |        | type  |  | Product Customer Drawing |  |
|             |          |  |           |                                       |        |   |  | Rev. C                   |  |

CAT. NO. & DIMENSIONS

| NOTE3 | NO. OF CONTACTS (n) | CAT. NO.        | DIMENSIONS (NOTE2) |        |        |
|-------|---------------------|-----------------|--------------------|--------|--------|
|       |                     |                 | A ±0.2             | B ±0.2 | C ±0.2 |
|       | 4                   | SFW4S-6ST___LF  | 10.4               | 5.24   | 3      |
|       | 5                   | SFW5S-6ST___LF  | 11.4               | 6.24   | 4      |
|       | 6                   | SFW6S-6ST___LF  | 12.4               | 7.24   | 5      |
| *     | 7                   | SFW7S-6ST___LF  | 13.4               | 8.24   | 6      |
|       | 8                   | SFW8S-6ST___LF  | 14.4               | 9.24   | 7      |
| *     | 9                   | SFW9S-6ST___LF  | 15.4               | 10.24  | 8      |
|       | 10                  | SFW10S-6ST___LF | 16.4               | 11.24  | 9      |
|       | 11                  | SFW11S-6ST___LF | 17.4               | 12.24  | 10     |
| *     | 12                  | SFW12S-6ST___LF | 18.4               | 13.24  | 11     |
|       | 13                  | SFW13S-6ST___LF | 19.4               | 14.24  | 12     |
|       | 14                  | SFW14S-6ST___LF | 20.4               | 15.24  | 13     |
|       | 15                  | SFW15S-6ST___LF | 21.4               | 16.24  | 14     |
|       | 16                  | SFW16S-6ST___LF | 22.4               | 17.24  | 15     |
|       | 17                  | SFW17S-6ST___LF | 23.4               | 18.24  | 16     |
| *     | 18                  | SFW18S-6ST___LF | 24.4               | 19.24  | 17     |
| *     | 19                  | SFW19S-6ST___LF | 25.4               | 20.24  | 18     |
|       | 20                  | SFW20S-6ST___LF | 26.4               | 21.24  | 19     |
| *     | 21                  | SFW21S-6ST___LF | 27.4               | 22.24  | 20     |
|       | 22                  | SFW22S-6ST___LF | 28.4               | 23.24  | 21     |
|       | 23                  | SFW23S-6ST___LF | 29.4               | 24.24  | 22     |
|       | 24                  | SFW24S-6ST___LF | 30.4               | 25.24  | 23     |
| *     | 25                  | SFW25S-6ST___LF | 31.4               | 26.24  | 24     |
|       | 26                  | SFW26S-6ST___LF | 32.4               | 27.24  | 25     |
| *     | 27                  | SFW27S-6ST___LF | 33.4               | 28.24  | 26     |
|       | 28                  | SFW28S-6ST___LF | 34.4               | 29.24  | 27     |
|       | 29                  | SFW29S-6ST___LF | 35.4               | 30.24  | 28     |
|       | 30                  | SFW30S-6ST___LF | 36.4               | 31.24  | 29     |
| *     | 31                  | SFW31S-6ST___LF | 37.4               | 32.24  | 30     |
| *     | 32                  | SFW32S-6ST___LF | 38.4               | 33.24  | 31     |



NOTES

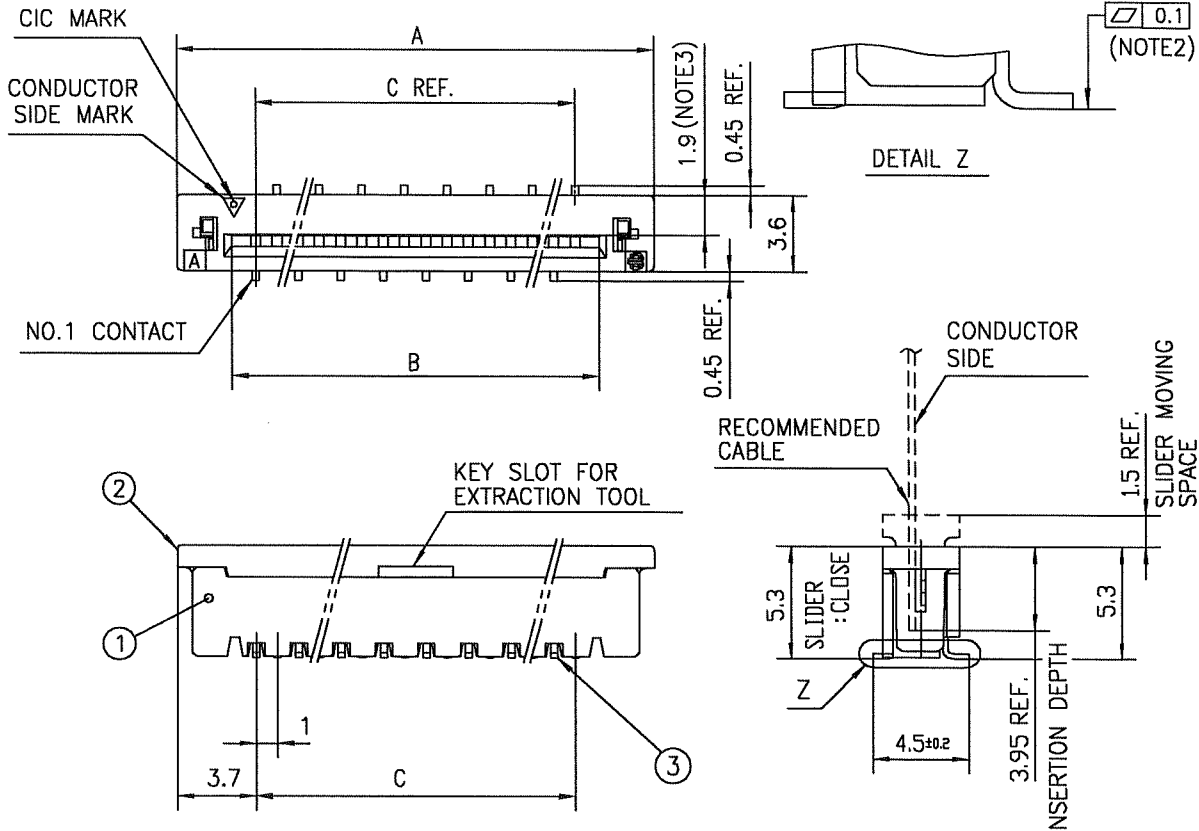
1. THIS PRODUCT IS THE CONNECTOR, DESIGNED TO TERMINATE CIC AND COPE WITH AUTOMATIC MOUNTING (SMT).
2. SEE PART DRAWINGS FOR DIMENSIONS A.B.C.
3. PLEASE CONSULT US IN CASE OF USING PARTS WITH \* MARK

|                    |          |                    |            |  |  |            |  |   |  |         |  |
|--------------------|----------|--------------------|------------|--|--|------------|--|---|--|---------|--|
| mat'l. code        |          |                    |            | surface 58 / tolerance ISO 1302 / ISO 406 / ISO 1101 |  | projection |  | product family 58SF   |  | CODE JP |  |
| ltr ecn no dr date |          |                    |            | tolerances unless otherwise specified                |  | mm         |  | title CAT. NO. TABLE FOR 1mm SPACING SMT CONNECTOR (CAT.No.SFW__S-6ST___LF) |  |         |  |
| A                  | J05-0377 | H.T                | 2005-6-22  | angles linear  |  | mm         |  | dwg no sheet 1 of 1 size JSA 96521 A4 type Product Customer Drawing         |  |         |  |
| B                  | J05-0547 | H.T                | 2005-8-30  |  |  | scale X    |  |   |  |         |  |
| C                  | J06-0430 | H.T                | 2006-10-19 |  |  |            |  |   |  |         |  |
| D                  | J07-0407 | H.T                | 2007-8-9   | dr engr chr appd                                     |  | FCJ        |  |   |  |         |  |
| sheet index        |          | revision D sheet 1 |            |  |  |            |  |   |  | Rev. D  |  |



FCIconnect.com

Copyright FCI.



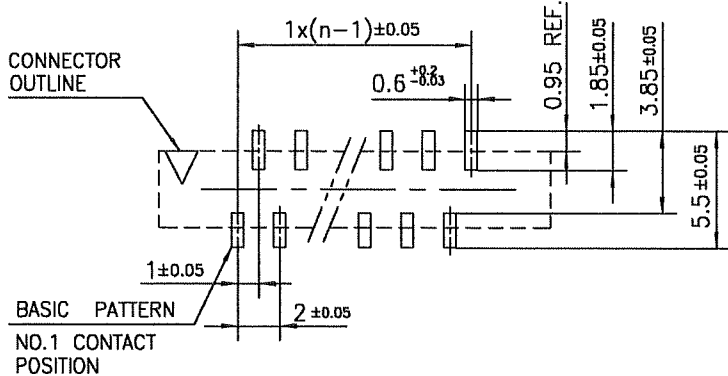
| PT. NO. | PARTS NAME | MATERIAL                                    | Q'TY | NOTE                                     |
|---------|------------|---|------|--|
| 1       | HOUSING    | GLASS FILLED THERMOPLASTIC RATED. (UL94V-0) | 1    | COLOR : BROWN                            |
| 2       | SLIDER     | GLASS FILLED THERMOPLASTIC RATED. (UL94V-0) | 1    | COLOR : BLACK                            |
| 3       | CONTACT    | PHOSPHOR BRONZE                             | n    | PLATING : TIN Ni UNDER PLATED(LEAD FREE) |

n : NO. OF CONTACTS

NOTES

1. THIS PRODUCT IS THE CONNECTOR DESIGNED TO TERMINATE CIC AND COPES WITH AUTOMATIC MOUNTING (SMT).
2. FLATNESS OF CONTACT TERMINAL MUST BE WITHIN TOLERANCE IN Z PORTION DETAILED DRAWING.
3. THIS DIMENSION IS SPACE FOR THE NOZZLE OF MOUNTER.
4. THIS PRODUCT MEETS EUROPEAN UNION DIRECTIVES AND OTHER COUNTRY REGULATIONS AS DESCRIBED IN GS-22-008
5. THE HOUSING WILL WITHSTAND EXPOSURE TO 260°C PEAK TEMPERATURE FOR 10 SECONDS IN A REFLOW SOLDERING OVEN.

RECOMMENDED PC BOARD LAYOUT (COMPONENT SIDE)

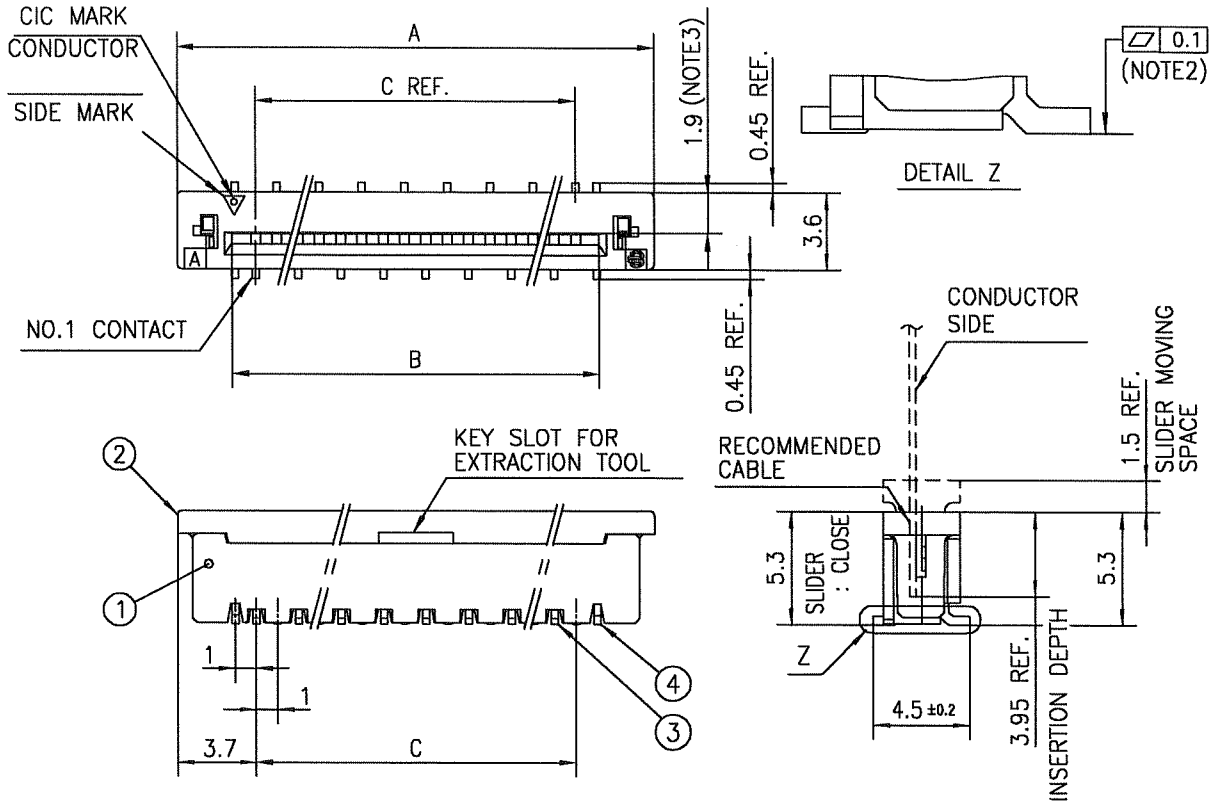


|                         |  |                |  |  |  |            |  |   |  |         |  |
|-------------------------|--|----------------|--|--|--|------------|--|---|--|---------|--|
| mat'l. code             |  |                |  | surface 58 / tolerance ISO 1302 ✓ / ISO 406 / ISO 1101 |  | projection |  | product family 58SF   |  | CODE JP |  |
| ltr ecn no dr date      |  |                |  | tolerances unless otherwise specified                  |  | mm         |  | title   |  |         |  |
| A J05-0377 H.T 6/22/05  |  |                |  | ±0.2   |  | mm         |  | 1mm SPACING SURFACE MOUNT CIC CONNECTOR (CAT.No.SFW__S-6ST__LF) |  |         |  |
| B J05-0731 H.T 10/28/05 |  |                |  | linear   |  | mm         |  | dwg no sheet 1 of 1 size  |  |         |  |
| C J06-0430 H.T 10/19/06 |  |                |  |  |  | scale X    |  | JSA 96522 A4  |  |         |  |
| dr                      |  |                |  | 10/19/06   |  | FCI        |  | type Product Customer Drawing                                   |  |         |  |
| enr                     |  |                |  | 10/19/06   |  |            |  | Rev. C  |  |         |  |
| chr                     |  |                |  | 10/19/06   |  |            |  |   |  |         |  |
| appd                    |  |                |  | 10/20/06   |  |            |  |   |  |         |  |
| sheet index             |  | revision sheet |  | C 1  |  |            |  |   |  |         |  |



FCIconnect.com

Copyright FCI.



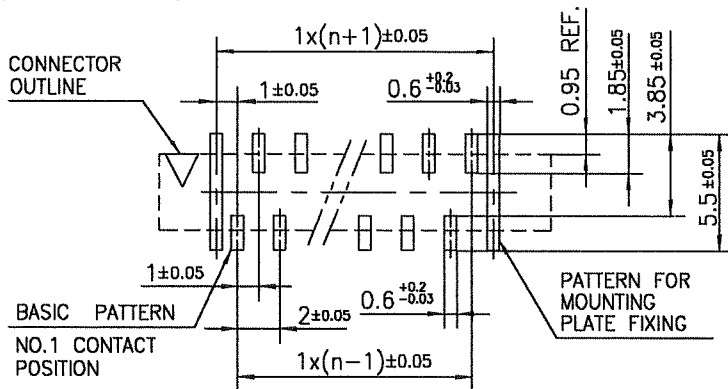
| PT. NO. | PARTS NAME     | MATERIAL                          | Q'TY | NOTE                                     |
|---------|----------------|-----------------------------------|------|--|
| 1       | HOUSING        | GLASS FILLED THERMOPLASTIC RATED. | 1    | COLOR : ROWN                             |
| 2       | SLIDER         | (UL94V-0)                         | 1    | COLOR : BLACK                            |
| 3       | CONTACT        | PHOSPHOR BRONZE                   | n    | PLATING : TIN Ni UNDER PLATED(LEAD FREE) |
| 4       | MOUNTING PLATE | BRASS                             | 2    |  |

n : NO. OF CONTACTS

NOTES

1. THIS PRODUCT IS THE CONNECTOR DESIGNED TO TERMINATE CIC AND COPE WITH AUTOMATIC MOUNTING (SMT).
2. FLATNESS OF CONTACT TERMINAL AND MOUNTING PLATE MUST BE WITHIN TOLERANCE IN Z PORTION DETAILED DRAWING.
3. THIS DIMENSION IS SPACE FOR THE NOZZLE OF MOUNTER.
4. THIS PRODUCT MEETS EUROPEAN UNION DIRECTIVES AND OTHER COUNTRY REGULATIONS AS DESCRIBED IN GS-22-008
5. THE HOUSING WILL WITHSTAND EXPOSURE TO 260°C PEAK TEMPERATURE FOR 10 SECONDS IN A REFLOW SOLDERING OVEN.

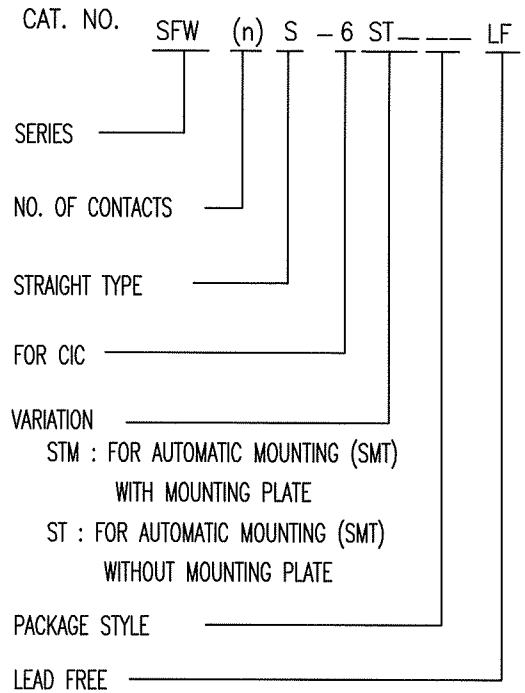
RECOMMENDED PC BOARD LAYOUT (COMPONENT SIDE)



|                         |  |                  |  |                                       |  |                                  |  |                |  |  |  |         |  |
|-------------------------|--|------------------|--|---------------------------------------|--|----------------------------------|--|----------------|--|--|--|---------|--|
| mat'l. code             |  |                  |  | surface 58 ✓<br>ISO 1302              |  | tolerance<br>ISO 406<br>ISO 1101 |  | projection<br> |  | product family 58SF  |  | CODE JP |  |
| ltr ecn no dr date      |  |                  |  | tolerances unless otherwise specified |  | ±0.2                             |  | mm             |  | title 1mm SPACING SURFACE MOUNT<br>CIC CONNECTOR<br>(CAT.No.SFW__S-6STM__LF) |  |         |  |
| A J05-0377 H.T 6/22/05  |  |                  |  | angles                                |  | linear                           |  | scale X        |  | dwg no sheet 1 of 1 size A4  |  |         |  |
| B J05-0731 H.T 10/28/05 |  |                  |  |                                       |  |                                  |  |                |  | JSA 96523  |  |         |  |
| C J06-0430 H.T 10/19/06 |  |                  |  |                                       |  |                                  |  |                |  | type Product Customer Drawing  |  |         |  |
| sheet index             |  | revision sheet 1 |  | dr                                    |  | engr                             |  | chr            |  | appd   |  | Rev. c  |  |
|                         |  |                  |  | 10/19/06                              |  | 10/19/06                         |  | 10/19/06       |  | 10/20/06   |  |         |  |

CAT. NO. & DIMENSIONS

| (NOTE4) | NO. OF CONTACTS (n) | CAT. NO. (NOTE2) | DIMENSIONS (NOTE3) |         |         |
|---------|---------------------|------------------|--------------------|---------|---------|
|         |                     |                  | D ± 5              | E ± 0.3 | F ± 0.1 |
|         | 4                   | SFW4S-6ST_E1LF   | 28.4               | 24      | —       |
|         | 5                   | SFW5S-6ST_E1LF   | 28.4               | 24      | —       |
|         | 6                   | SFW6S-6ST_E1LF   | 28.4               | 24      | —       |
| *       | 7                   | SFW7S-6ST_E1LF   | 28.4               | 24      | —       |
|         | 8                   | SFW8S-6ST_E1LF   | 28.4               | 24      | —       |
| *       | 9                   | SFW9S-6ST_E1LF   | 28.4               | 24      | —       |
|         | 10                  | SFW10S-6ST_E1LF  | 28.4               | 24      | —       |
|         | 11                  | SFW11S-6ST_E1LF  | 28.4               | 24      | —       |
| *       | 12                  | SFW12S-6ST_E1LF  | 36.4               | 32      | 28.4    |
|         | 13                  | SFW13S-6ST_E1LF  | 36.4               | 32      | 28.4    |
|         | 14                  | SFW14S-6ST_E1LF  | 36.4               | 32      | 28.4    |
|         | 15                  | SFW15S-6ST_E1LF  | 36.4               | 32      | 28.4    |
|         | 16                  | SFW16S-6ST_E1LF  | 48.4               | 44      | 40.4    |
|         | 17                  | SFW17S-6ST_E1LF  | 48.4               | 44      | 40.4    |
| *       | 18                  | SFW18S-6ST_E1LF  | 48.4               | 44      | 40.4    |
| *       | 19                  | SFW19S-6ST_E1LF  | 48.4               | 44      | 40.4    |
|         | 20                  | SFW20S-6ST_E1LF  | 48.4               | 44      | 40.4    |
| *       | 21                  | SFW21S-6ST_E1LF  | 48.4               | 44      | 40.4    |
|         | 22                  | SFW22S-6ST_E1LF  | 48.4               | 44      | 40.4    |
|         | 23                  | SFW23S-6ST_E1LF  | 48.4               | 44      | 40.4    |
|         | 24                  | SFW24S-6ST_E1LF  | 48.4               | 44      | 40.4    |
| *       | 25                  | SFW25S-6ST_E1LF  | 48.4               | 44      | 40.4    |
|         | 26                  | SFW26S-6ST_E1LF  | 48.4               | 44      | 40.4    |
| *       | 27                  | SFW27S-6ST_E1LF  | 60.4               | 56      | 52.4    |
|         | 28                  | SFW28S-6ST_E1LF  | 60.4               | 56      | 52.4    |
|         | 29                  | SFW29S-6ST_E1LF  | 60.4               | 56      | 52.4    |
|         | 30                  | SFW30S-6ST_E1LF  | 60.4               | 56      | 52.4    |
| *       | 31                  | SFW31S-6ST_E1LF  | 60.4               | 56      | 52.4    |
| *       | 32                  | SFW32S-6ST_E1LF  | 60.4               | 56      | 52.4    |



NOTES

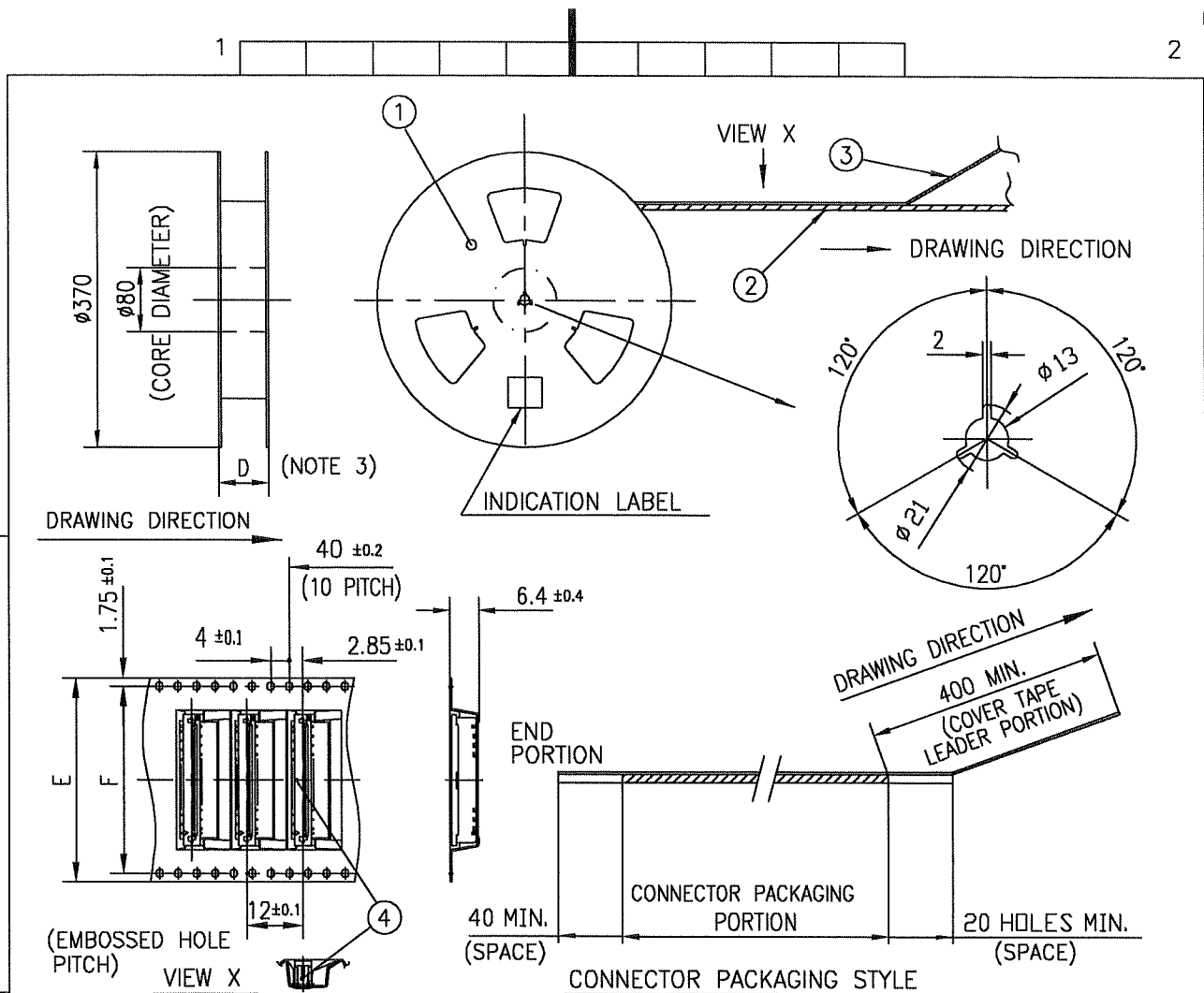
1. THIS PRODUCT IS THE CONNECTOR DESIGNED TO TERMINATE CIC AND COPE WITH AUTOMATIC MOUNTING (SMT).
2. THIS CATALOG NO. INDICATES PLASTIC TAPE PACKAGED CONNECTOR.
3. SEE PART DRAWINGS FOR DIMENSIONS D~F.
4. PLEASE CONSULT US IN CASE OF USING PARTS WITH \* MARK.



FCIconnect.com

Copyright FCI.

|                     |          |                |            |  |  |            |  |   |  |         |  |
|---------------------|----------|----------------|------------|--|--|------------|--|---|--|---------|--|
| mat'l. code         |          |                |            | surface 58 / tolerance ISO 1302 / ISO 406 / ISO 1101 |  | projection |  | product family 58SF   |  | CODE JP |  |
| litr ecn no dr date |          |                |            | tolerances unless otherwise specified                |  | mm         |  | title   |  |         |  |
| A                   | J05-0377 | H.T            | 2005-6-22  | angles linear  |  | mm         |  | CAT. NO. TABLE FOR PLASTIC TAPE PACKAGED 1mm SPACING SMT CONN. (CAT.No.SFW__S-6ST_E1LF) |  |         |  |
| B                   | J05-0547 | H.T            | 2005-8-30  |  |  | scale X    |  | dwg no sheet 1 of 1 size  |  |         |  |
| C                   | J06-0430 | H.T            | 2006-10-19 |  |  | FCI        |  | JSA 96524 A4  |  |         |  |
| D                   | J07-0407 | H.T            | 2007-8-9   | dr engr chr appd                                     |  |            |  | type Product Customer Drawing   |  |         |  |
| sheet index         |          | revision sheet |            | D 1  |  |            |  |   |  | Rev. D  |  |



| PT. NO. | PARTS NAME            | CAT. NO.       | MATERIAL          | Q'TY  | NOTE               |
|---------|-----------------------|----------------|-------------------|-------|--------------------|
| 1       | REEL                  | _____          | CARDBOARD         | 1     | COLOR:GRAY         |
| 2       | PLASTIC (EMBOSS) TAPE | _____          | PET               | _____ | COLOR:TRANSPARENCY |
| 3       | COVER                 | _____          | POLYESTER         | _____ | COLOR:TRANSPARENCY |
| 4       | CONNECTOR             | SFW__S-6ST__LF | SEE ATTACHED DWG. | 1000  | _____              |

- NOTES
1. THIS IS PLASTIC TAPE PACKAGED CONNECTOR USED FOR CIC AND COPES WITH AUTOMATIC MOUNTING (SMT).
  2. SEE JIS C 0806 (PACKING OF ELECTRONIC COMPONENTS ON CONTINUOUS TAPES (SURFACE MOUNTING DEVICES)) FOR SHAPE AND DIMENSIONS OF PLASTIC (EMBOSS) TAPE AND REEL.
  3. D DIMENSION IS PORTION OF THE CORE.

|             |                |     |          |                                       |                                  |                |   |            |        |
|-------------|----------------|-----|----------|---------------------------------------|----------------------------------|----------------|---|------------|--------|
| mat'l. code |                |     |          | surface 58<br>ISO 1302                | tolerance<br>ISO 406<br>ISO 1101 | projection<br> | product family<br>58SF  | CODE<br>JP |        |
| ltr         | ecn no         | dr  | date     | tolerances unless otherwise specified |                                  | mm             | title<br>PLASTIC TAPE PACKAGED<br>1mm SPACING SMT CONNECTOR<br>(CAT.No.SFW__S-6ST_E1LF) |            |        |
| A           | J05-0377       | H.T | 6/22/05  | angles                                | ±5                               |                |   |            |        |
| B           | J06-0430       | H.T | 10/19/06 | linear                                | ±5'                              | scale X        | dwg no<br>JSA 96525   |            |        |
|             |                |     |          | dr                                    | <i>H. Shoupe</i>                 |                | sheet 1 of 1 size<br>A4   |            |        |
|             |                |     |          | enr                                   | <i>H. Shoupe</i>                 |                | type Product Customer Drawing   |            |        |
|             |                |     |          | chr                                   | <i>R. Shoupe</i>                 |                |   |            |        |
|             |                |     |          | appd                                  | <i>S. Shoupe</i>                 |                |   |            |        |
| sheet index | revision sheet | B   | 1        |                                       |                                  |                |   |            | Rev. B |

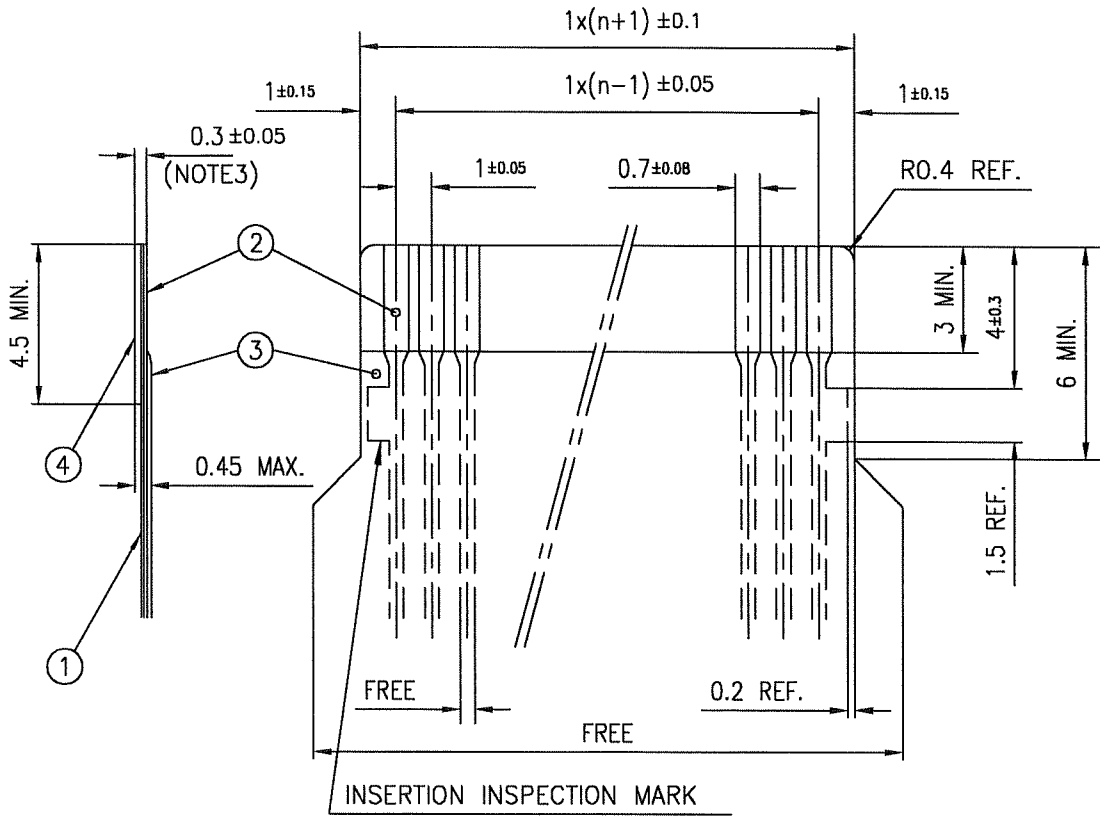


FCIconnect.com

Copyright FCI.

RECOMMENDED CABLE (CIC)

n : NO. OF CONDUCTOR



| PT. NO. | PARTS NAME      | MATERIAL                        | THICKNESS (μm) |     |
|---------|-----------------|---------------------------------|----------------|-----|
| 1       | BASE FILM       | POLYESTER OR EQUAL              | 75             | 25  |
| 2       | CONDUCTOR       | CARBON PASTE OVER SILVER PASTE  | 10 MIN.        |     |
| 3       | OVERLAY         | POLYIMIDE OR POLYESTER OR EQUAL | —              |     |
| 4       | SUPPORTING TAPE | POLYESTER OR POLYIMIDE OR EQUAL | 188            | 250 |

NOTES

1. NO BURR AT EACH PORTION.
2. NO PEELING IN COMMON USE.
3. TOTAL THICKNESS LIMIT OF EACH MATERIAL (INCLUDING ADHESIVE AGENT) IS SPECIFIED.



FCIconnect.com

Copyright FCI.

|             |  |  |  |                          |  |                                  |  |                  |  |   |  |                          |  |
|-------------|--|--|--|--------------------------|--|----------------------------------|--|------------------|--|---|--|--------------------------|--|
| mat'l. code |  |  |  | surface 58<br>ISO 1302 ✓ |  | tolerance<br>ISO 406<br>ISO 1101 |  | projection<br>mm |  | product family<br>58SF                              |  | CODE<br>JP               |  |
| ltr         |  |  |  | ecn no                   |  | dr                               |  | date             |  | title<br>RECOMMENDED CABLE<br>(CAT.No.SFW__S-6ST__) |  | scale X                  |  |
| AA          |  |  |  | J04-0333                 |  | H.T.                             |  | Oct.13,'04       |  | angles  |  | linear                   |  |
| AB          |  |  |  | J06-0430                 |  | H.T.                             |  | 10/19/06         |  | dr  |  | 10/19/06                 |  |
|             |  |  |  |                          |  |                                  |  |                  |  | engr  |  | 10/19/06                 |  |
|             |  |  |  |                          |  |                                  |  |                  |  | chr   |  | 10/19/06                 |  |
|             |  |  |  |                          |  |                                  |  |                  |  | appd  |  | 10/20/06                 |  |
| sheet index |  |  |  | revision sheet           |  | AB                               |  | 1                |  | FCI   |  | dwg no<br>JSA 93904      |  |
|             |  |  |  |                          |  |                                  |  |                  |  | sheet 1 of 1  |  | size<br>A4               |  |
|             |  |  |  |                          |  |                                  |  |                  |  | type  |  | Product Customer Drawing |  |
|             |  |  |  |                          |  |                                  |  |                  |  |   |  | Rev.<br>AB               |  |

Компания «Life Electronics» занимается поставками электронных компонентов импортного и отечественного производства от производителей и со складов крупных дистрибьюторов Европы, Америки и Азии.

С конца 2013 года компания активно расширяет линейку поставок компонентов по направлению коаксиальный кабель, кварцевые генераторы и конденсаторы (керамические, пленочные, электролитические), за счёт заключения дистрибьюторских договоров

Мы предлагаем:

- Конкуренспособные цены и скидки постоянным клиентам.
- Специальные условия для постоянных клиентов.
- Подбор аналогов.
- Поставку компонентов в любых объемах, удовлетворяющих вашим потребностям.
- Приемлемые сроки поставки, возможна ускоренная поставка.
- Доставку товара в любую точку России и стран СНГ.
- Комплексную поставку.
- Работу по проектам и поставку образцов.
- Формирование склада под заказчика.
- Сертификаты соответствия на поставляемую продукцию (по желанию клиента).
- Тестирование поставляемой продукции.
- Поставку компонентов, требующих военную и космическую приемку.
- Входной контроль качества.
- Наличие сертификата ISO.

В составе нашей компании организован Конструкторский отдел, призванный помогать разработчикам, и инженерам.

Конструкторский отдел помогает осуществить:

- Регистрацию проекта у производителя компонентов.
- Техническую поддержку проекта.
- Защиту от снятия компонента с производства.
- Оценку стоимости проекта по компонентам.
- Изготовление тестовой платы монтаж и пусконаладочные работы.



Тел: +7 (812) 336 43 04 (многоканальный)

Email: [org@lifeelectronics.ru](mailto:org@lifeelectronics.ru)