



SANYO Semiconductors

DATA SHEET

An ON Semiconductor Company

LB1930MC

 Monolithic Digital IC
 Low-Voltage, Low-Saturation
 Bidirectional Motor Driver

Overview

The LB1930MC is single-channel forward/reverse DC brush motor driver. This device is optimal for CD, DVD and Blue Ray Disk player loading motors. And it is possible to use it for others as a general-purpose product.

Features

- The low saturation voltage reduces IC internal heating and allows a high voltage to be applied to the motor. Thus this device can be used even in environments with a high operating ambient temperature.
 - Output saturation voltage: $V_{sat1} = 0.25V$ typical ($I_O = 0.2A$)
 - (High side + low side): $V_{sat2} = 0.55V$ typical ($I_O = 0.5A$)
 - Operating temperature range: $T_a = -30$ to $+85^\circ C$
- The LB1930MC features the wide operating voltage range of 2.2 to 10.8V and the low standby current drain of 0.1 μA , and therefore can easily be used in battery operated systems.
- To minimize through currents, the LB1930MC internal logic passes through an internal standby state when switched by the input signals between forward/reverse and brake, or between forward and reverse.
- There are no constraints on the relationship between the input voltage and the supply voltage. For example, the LB1930MC can be used with $V_{CC} = 3V$, and $V_{IN} = 5V$.
- If the IC chip exceeds 180 $^\circ C$ due to an output short causing a large current flow, the built-in thermal protection circuit suppresses the drive current to prevent fires or destruction of the IC.

Specifications

Absolute Maximum Ratings at $T_a = 25^\circ C$

Parameter	Symbol	Conditions	Ratings	Unit
Supply voltage	V_{CC} max		11	V
Output current	I_{OUT} max		1000	mA
Output voltage handling	V_{OUT} max		$V_{CC} + V_{SF}$	V
Applied input voltage	I_H max		10.5	V

Continued on next page.

■ Any and all SANYO Semiconductor Co.,Ltd. products described or contained herein are, with regard to "standard application", intended for the use as general electronics equipment. The products mentioned herein shall not be intended for use for any "special application" (medical equipment whose purpose is to sustain life, aerospace instrument, nuclear control device, burning appliances, transportation machine, traffic signal system, safety equipment etc.) that shall require extremely high level of reliability and can directly threaten human lives in case of failure or malfunction of the product or may cause harm to human bodies, nor shall they grant any guarantee thereof. If you should intend to use our products for new introduction or other application different from current conditions on the usage of automotive device, communication device, office equipment, industrial equipment etc. , please consult with us about usage condition (temperature, operation time etc.) prior to the intended use. If there is no consultation or inquiry before the intended use, our customer shall be solely responsible for the use.

■ Specifications of any and all SANYO Semiconductor Co.,Ltd. products described or contained herein stipulate the performance, characteristics, and functions of the described products in the independent state, and are not guarantees of the performance, characteristics, and functions of the described products as mounted in the customer's products or equipment. To verify symptoms and states that cannot be evaluated in an independent device, the customer should always evaluate and test devices mounted in the customer's products or equipment.

SANYO Semiconductor Co., Ltd.

<http://semicon.sanyo.com/en/network>

LB1930MC

Continued from preceding page.

Parameter	Symbol	Conditions	Ratings	Unit
Allowable power dissipation	Pd max	Mounted on a specified board *	750	mW
Operating temperature	Topr		-30 to +85	°C
Storage temperature	Tstg		-55 to +150	°C

* Specified board: 114.3mm × 76.1mm × 1.6mm, glass epoxy board.

Caution 1) Absolute maximum ratings represent the value which cannot be exceeded for any length of time.

Caution 2) Even when the device is used within the range of absolute maximum ratings, as a result of continuous usage under high temperature, high current, high voltage, or drastic temperature change, the reliability of the IC may be degraded. Please contact us for the further details.

Allowable Operating Ranges at Ta = 25°C

Parameter	Symbol	Conditions	Ratings	Unit
Supply voltage	V _{CC}		2.2 to 10.8	V
High-level input voltage	V _{IH}		2.0 to 10	V
Low-level input voltage	V _{IL}		-0.3 to +0.3	V

Electrical Characteristics at Ta = 25°C, V_{CC} = 3V

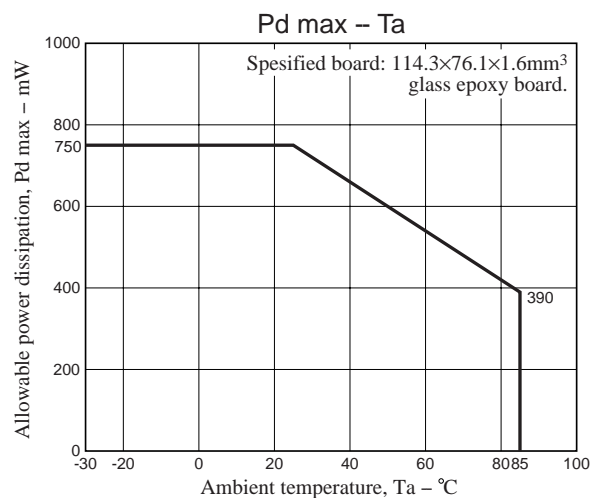
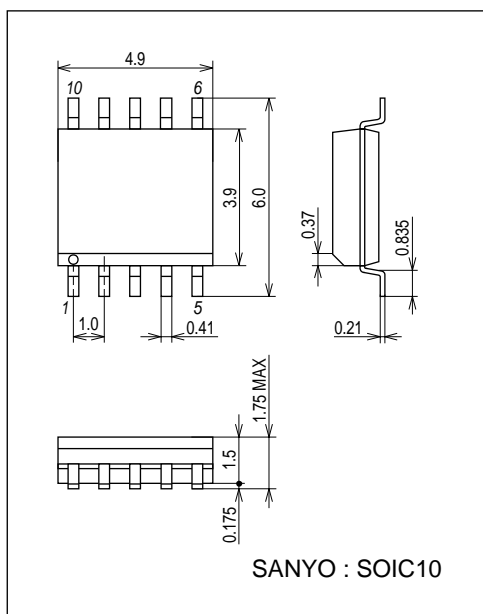
Parameter	Symbol	Conditions	Ratings			Unit
			min	typ	max	
Current drain	I _{CC1}	Standby mode		0.1	5	μA
	I _{CC2}	Forward or reverse drive operation		15	21	mA
	I _{CC3}	Braking		22	31	mA
Output saturation voltage	V _{O(sat)1}	Forward or reverse drive: High side + low side, I _O = 200mA		0.25	0.35	V
	V _{O(sat)2}	Forward or reverse drive: High side + low side, I _O = 500mA		0.55	0.75	V
	V _{O(sat)3}	Forward or reverse drive: High side only, I _O = 200mA		0.15	0.25	V
Input current	I _{IIN}	V _{IIN} = 5V		70	95	μA
Thermal detection operating temperature	THD	Design guarantee value*	150	180	200	°C
Spark Killer diode						
Forward voltage	V _{SF}	I _O = 200mA		0.9	1.7	V
Reverse current	I _{RS}	V _{OUT} = 10V		0.1	5	μA

* Design guarantee value, Do not measurement.

Package Dimensions

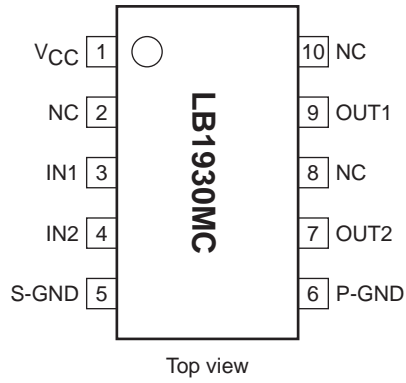
unit : mm (typ)

3426A

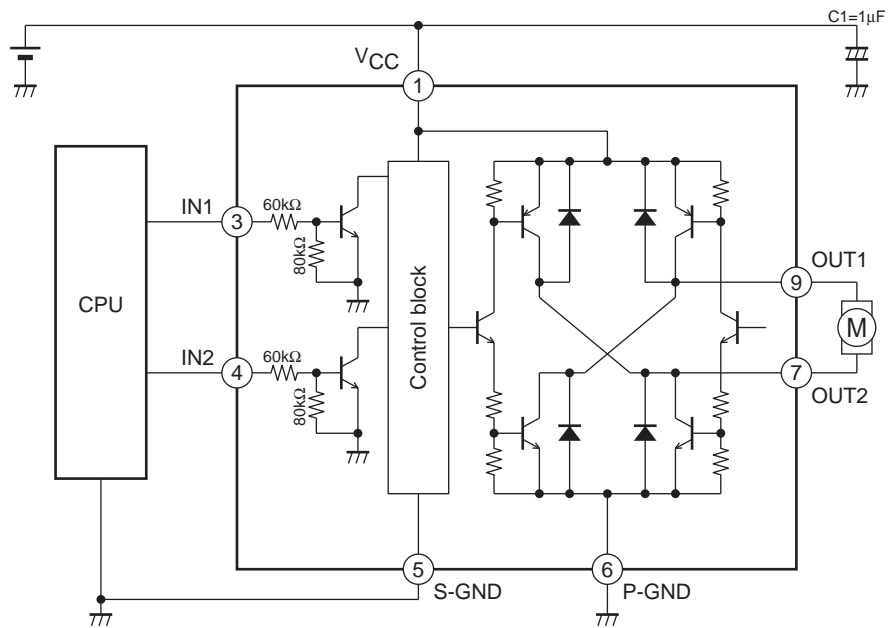


LB1930MC

Pin Assignment



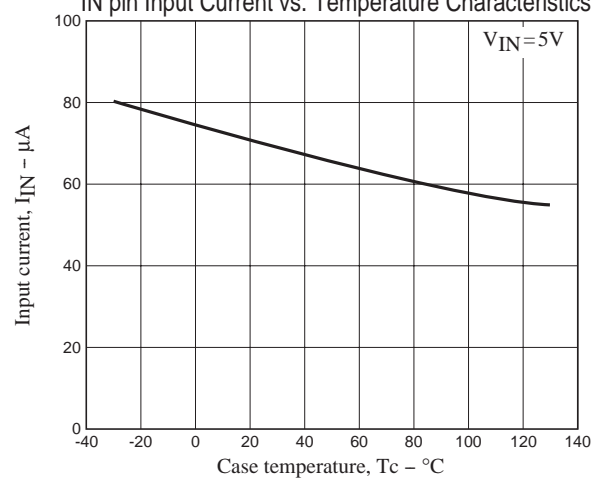
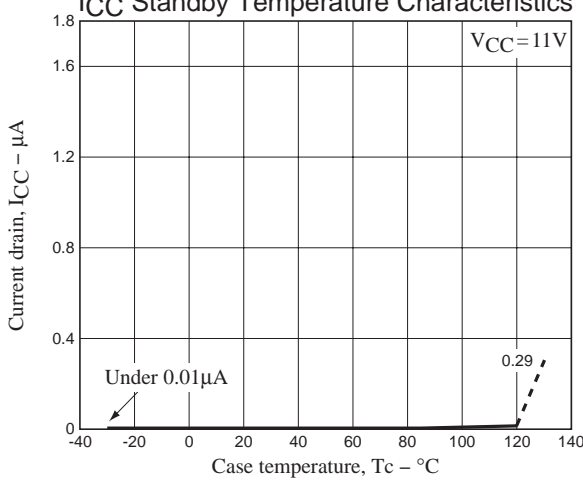
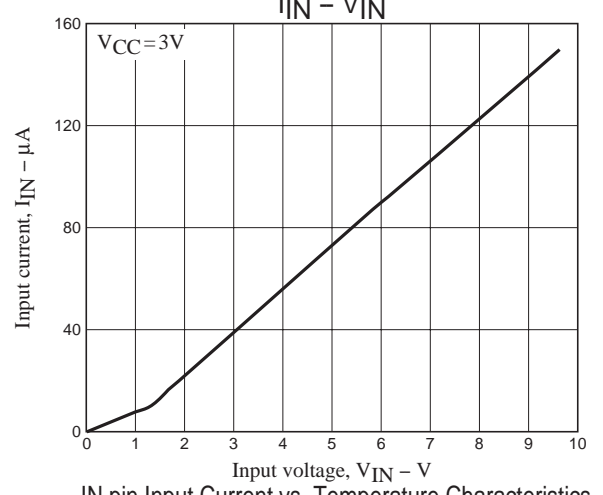
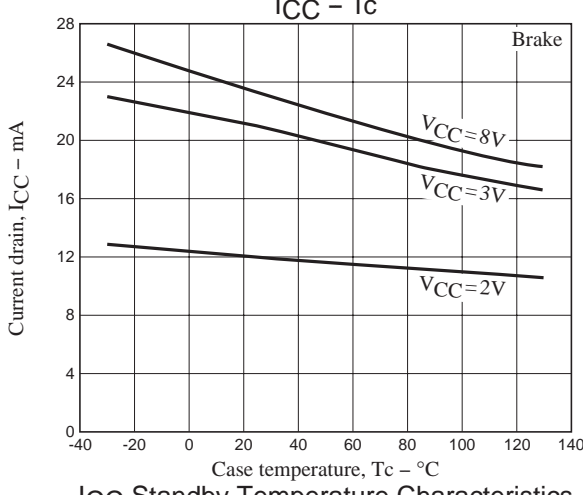
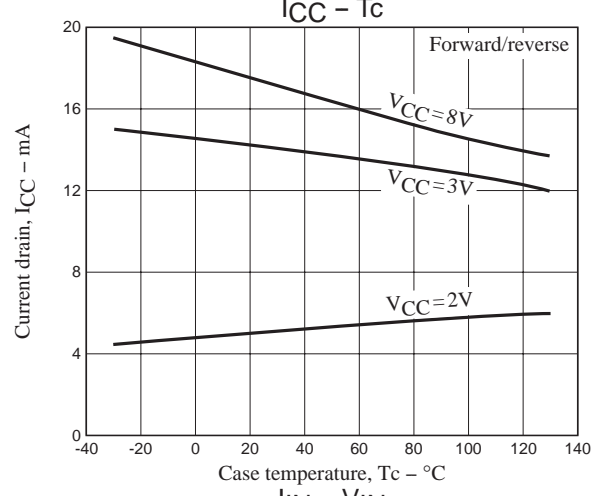
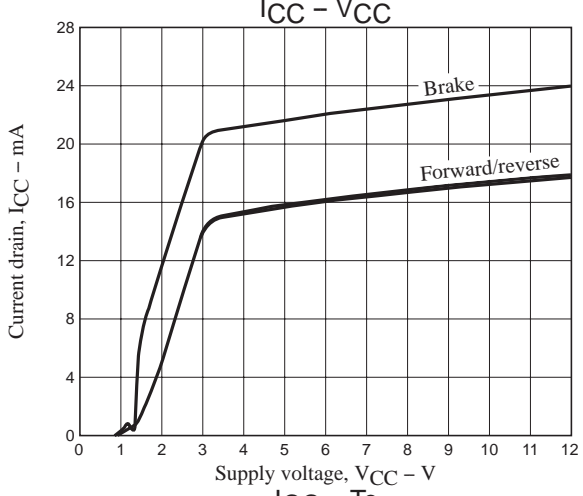
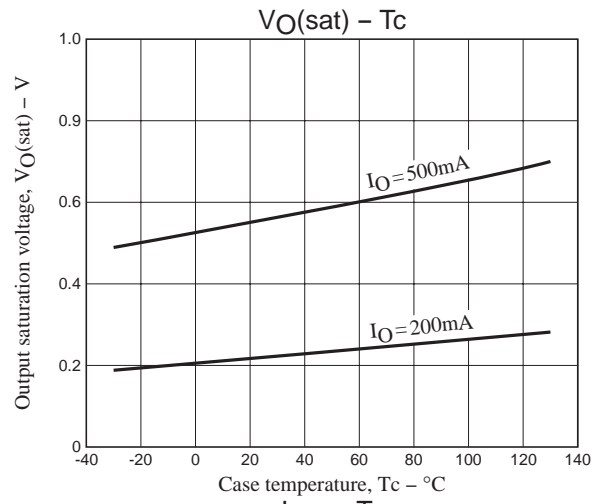
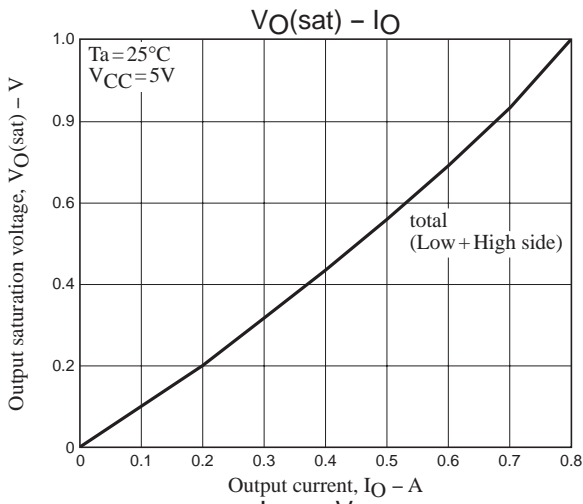
Block Diagram and Application Circuit Example



Truth Table

IN1	IN2	OUT1	OUT2	Mode
L	L	OFF	OFF	Standby
H	L	H	L	Forward
L	H	L	H	Reverse
H	H	H	H	Brake

LB1930MC



Usage Notes

Oscillation may occur in the V_{CC} and P-GND lines, since these lines carry a wide range of currents. The following may help if this is a problem.

- (1) Lower the inductance of the wiring by making lines wider and shorter.
- (2) Insert capacitors with good frequency characteristics close to the IC.
- (3) Consider adopting the following methods if the CPU and this IC are mounted on different printed circuit boards that could easily have different ground potentials.
 - Connect S-GND to the CPU ground and connect P-GND to the power system ground.
 - Insert resistors of about $10k\Omega$ in series between the controller outputs and the inputs on this IC.

- SANYO Semiconductor Co.,Ltd. assumes no responsibility for equipment failures that result from using products at values that exceed, even momentarily, rated values (such as maximum ratings, operating condition ranges, or other parameters) listed in products specifications of any and all SANYO Semiconductor Co.,Ltd. products described or contained herein.
- SANYO Semiconductor Co.,Ltd. strives to supply high-quality high-reliability products, however, any and all semiconductor products fail or malfunction with some probability. It is possible that these probabilistic failures or malfunction could give rise to accidents or events that could endanger human lives, trouble that could give rise to smoke or fire, or accidents that could cause damage to other property. When designing equipment, adopt safety measures so that these kinds of accidents or events cannot occur. Such measures include but are not limited to protective circuits and error prevention circuits for safe design, redundant design, and structural design.
- In the event that any or all SANYO Semiconductor Co.,Ltd. products described or contained herein are controlled under any of applicable local export control laws and regulations, such products may require the export license from the authorities concerned in accordance with the above law.
- No part of this publication may be reproduced or transmitted in any form or by any means, electronic or mechanical, including photocopying and recording, or any information storage or retrieval system, or otherwise, without the prior written consent of SANYO Semiconductor Co.,Ltd.
- Any and all information described or contained herein are subject to change without notice due to product/technology improvement, etc. When designing equipment, refer to the "Delivery Specification" for the SANYO Semiconductor Co.,Ltd. product that you intend to use.
- Upon using the technical information or products described herein, neither warranty nor license shall be granted with regard to intellectual property rights or any other rights of SANYO Semiconductor Co.,Ltd. or any third party. SANYO Semiconductor Co.,Ltd. shall not be liable for any claim or suits with regard to a third party's intellectual property rights which has resulted from the use of the technical information and products mentioned above.

This catalog provides information as of April, 2012. Specifications and information herein are subject to change without notice.

Компания «Life Electronics» занимается поставками электронных компонентов импортного и отечественного производства от производителей и со складов крупных дистрибьюторов Европы, Америки и Азии.

С конца 2013 года компания активно расширяет линейку поставок компонентов по направлению коаксиальный кабель, кварцевые генераторы и конденсаторы (керамические, пленочные, электролитические), за счёт заключения дистрибьюторских договоров

Мы предлагаем:

- Конкурентоспособные цены и скидки постоянным клиентам.
- Специальные условия для постоянных клиентов.
- Подбор аналогов.
- Поставку компонентов в любых объемах, удовлетворяющих вашим потребностям.
- Приемлемые сроки поставки, возможна ускоренная поставка.
- Доставку товара в любую точку России и стран СНГ.
- Комплексную поставку.
- Работу по проектам и поставку образцов.
- Формирование склада под заказчика.
- Сертификаты соответствия на поставляемую продукцию (по желанию клиента).
- Тестирование поставляемой продукции.
- Поставку компонентов, требующих военную и космическую приемку.
- Входной контроль качества.
- Наличие сертификата ISO.

В составе нашей компании организован Конструкторский отдел, призванный помогать разработчикам, и инженерам.

Конструкторский отдел помогает осуществить:

- Регистрацию проекта у производителя компонентов.
- Техническую поддержку проекта.
- Защиту от снятия компонента с производства.
- Оценку стоимости проекта по компонентам.
- Изготовление тестовой платы монтаж и пусконаладочные работы.



Тел: +7 (812) 336 43 04 (многоканальный)
Email: org@lifeelectronics.ru