

## High-performance ultra low-power 3-axis accelerometer with digital output for automotive applications

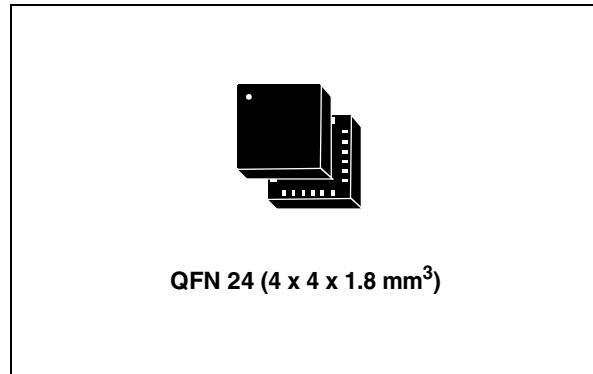
Datasheet — production data

### Features

- Wide supply voltage range: 2.4 V to 3.6 V
- Low voltage compatible IOs: 1.8 V
- Ultra low-power mode consumption: down to 10  $\mu$ A
- $\pm 2g/\pm 4g/\pm 8g$  dynamically selectable full-scale
- SPI / I<sup>2</sup>C digital output interface
- 16-bit data output
- 2 independent programmable interrupt generators
- System sleep/wakeup function
- Extended temperature range: -40 °C to 105 °C
- Embedded self-test
- High shock survivability: up to 10000 g
- ECOPACK<sup>®</sup> RoHS and “Green” compliant
- AEC-Q100 qualification

### Applications

- Telematics and black boxes
- In-dash car navigation
- Tilt / inclination measurement
- Anti-theft devices
- Intelligent power saving
- Impact recognition and logging
- Vibration monitoring and compensation
- Motion-activated functions



### Description

The AIS328DQ is an ultra low-power high performance 3-axis linear accelerometer with a digital serial interface SPI standard output. An I<sup>2</sup>C compatible interface is also available. The device features ultra low-power operational modes that allow advanced power saving and smart sleep-to-wakeup functions. The AIS328DQ has dynamic user-selectable full-scales of  $\pm 2g/\pm 4g/\pm 8g$  and is capable of measuring accelerations with output data rates from 0.5 Hz to 1 kHz. The self-test capability allows the user to check the functioning of the sensor in the final application. The device may be configured to generate an interrupt signal through inertial wakeup events, or by the position of the device itself. Thresholds and the timing of interrupt generators are programmable by the end user on-the-fly. Available in a small quad flat pack no-lead package (QFPN) with a 4x4 mm footprint, the AIS328DQ is able to respond to the trend towards application miniaturization, and is guaranteed to operate over a temperature range from -40 °C to +105 °C.

**Table 1. Device summary**

Order codes	Temperature range [°C]	Package	Packaging
AIS328DQ	-40 to +105	QFPN 4x4x1.8 24L	Tray
AIS328DQTR	-40 to +105	QFPN 4x4x1.8 24L	Tape and reel

# Contents

<b>1</b>	<b>Block diagram and pin description</b>	<b>6</b>
1.1	Block diagram	6
1.2	Pin description	6
<b>2</b>	<b>Mechanical and electrical specifications</b>	<b>8</b>
2.1	Mechanical characteristics	8
2.2	Electrical characteristics	9
2.3	Communication interface characteristics	10
2.3.1	SPI - serial peripheral interface	10
2.3.2	I <sup>2</sup> C - inter IC control interface	11
2.4	Absolute maximum ratings	12
2.5	Terminology	13
2.5.1	Sensitivity	13
2.5.2	Zero-g level	13
2.5.3	Self-test	13
2.5.4	Sleep-to-wakeup	14
<b>3</b>	<b>Functionality</b>	<b>15</b>
3.1	Sensing element	15
3.2	IC interface	15
3.3	Factory calibration	15
<b>4</b>	<b>Application hints</b>	<b>16</b>
<b>5</b>	<b>Digital interfaces</b>	<b>17</b>
5.1	I <sup>2</sup> C serial interface	17
5.1.1	I <sup>2</sup> C operation	18
5.2	SPI bus interface	19
5.2.1	SPI read	20
5.2.2	SPI write	21
5.2.3	SPI read in 3-wire mode	22
<b>6</b>	<b>Register mapping</b>	<b>23</b>

<b>7</b>	<b>Register description</b>	<b>25</b>
7.1	WHO_AM_I (0Fh)	25
7.2	CTRL_REG1 (20h)	25
7.3	CTRL_REG2 (21h)	26
7.4	CTRL_REG3 [Interrupt CTRL register] (22h)	27
7.5	CTRL_REG4 (23h)	28
7.6	CTRL_REG5 (24h)	29
7.7	HP_FILTER_RESET (25h)	29
7.8	REFERENCE (26h)	30
7.9	STATUS_REG (27h)	30
7.10	OUT_X_L (28h), OUT_X_H (29)	31
7.11	OUT_Y_L (2Ah), OUT_Y_H (2Bh)	31
7.12	OUT_Z_L (2Ch), OUT_Z_H (2Dh)	31
7.13	INT1_CFG (30h)	31
7.14	INT1_SRC (31h)	32
7.15	INT1_THS(32h)	32
7.16	INT1_DURATION (33h)	33
7.17	INT2_CFG (34h)	33
7.18	INT2_SRC (35h)	34
7.19	INT2_THS (36h)	34
7.20	INT2_DURATION (37h)	35
<b>8</b>	<b>Package information</b>	<b>36</b>
<b>9</b>	<b>Soldering information</b>	<b>38</b>
9.1	General guidelines about soldering surface-mounted accelerometers	38
9.2	PCB design guidelines	38
9.2.1	PCB design rules	39
9.3	Stencil design and solder paste application	39
9.4	Process considerations	40
<b>10</b>	<b>Revision history</b>	<b>41</b>

## List of tables

Table 1.	Device summary . . . . .	1
Table 2.	Pin description . . . . .	7
Table 3.	Mechanical characteristics . . . . .	8
Table 4.	Electrical characteristics . . . . .	9
Table 5.	SPI slave timing values . . . . .	10
Table 6.	I <sup>2</sup> C slave timing values . . . . .	11
Table 7.	Absolute maximum ratings . . . . .	12
Table 8.	Serial interface pin description . . . . .	17
Table 9.	Serial interface pin description . . . . .	17
Table 10.	SAD+Read/Write patterns . . . . .	18
Table 11.	Transfer when master is writing one byte to slave . . . . .	18
Table 12.	Transfer when master is writing multiple bytes to slave . . . . .	18
Table 13.	Transfer when master is receiving (reading) one byte of data from slave . . . . .	19
Table 14.	Transfer when master is receiving (reading) multiple bytes of data from slave . . . . .	19
Table 15.	Register address map . . . . .	23
Table 16.	WHO_AM_I register . . . . .	25
Table 17.	CTRL_REG1 register . . . . .	25
Table 18.	CTRL_REG1 description . . . . .	25
Table 19.	Power mode and low-power output data rate configurations . . . . .	26
Table 20.	Normal-mode output data rate configurations and low-pass cut-off frequencies . . . . .	26
Table 21.	CTRL_REG2 register . . . . .	26
Table 22.	CTRL_REG2 description . . . . .	26
Table 23.	High-pass filter mode configuration . . . . .	27
Table 24.	High-pass filter cut-off frequency configuration . . . . .	27
Table 25.	CTRL_REG3 register . . . . .	27
Table 26.	CTRL_REG3 description . . . . .	28
Table 27.	Data signal on INT 1 and INT 2 pad . . . . .	28
Table 28.	CTRL_REG4 register . . . . .	28
Table 29.	CTRL_REG4 description . . . . .	28
Table 30.	CTRL_REG5 register . . . . .	29
Table 31.	CTRL_REG5 description . . . . .	29
Table 32.	Sleep-to-wake configuration . . . . .	29
Table 33.	REFERENCE register . . . . .	30
Table 34.	REFERENCE description . . . . .	30
Table 35.	STATUS_REG register . . . . .	30
Table 36.	STATUS_REG description . . . . .	30
Table 37.	INT1_CFG register . . . . .	31
Table 38.	INT1_CFG description . . . . .	31
Table 39.	Interrupt 1 source configurations . . . . .	32
Table 40.	INT1_SRC register . . . . .	32
Table 41.	INT1_SRC description . . . . .	32
Table 42.	INT1_THS register . . . . .	32
Table 43.	INT1_THS description . . . . .	33
Table 44.	INT1_DURATION register . . . . .	33
Table 45.	INT2_DURATION description . . . . .	33
Table 46.	INT2_CFG register . . . . .	33
Table 47.	INT2_CFG description . . . . .	33
Table 48.	Interrupt mode configuration . . . . .	34

---

Table 49.	INT2_SRC register .....	34
Table 50.	INT2_SRC description .....	34
Table 51.	INT2_THS register .....	34
Table 52.	INT2_THS description .....	35
Table 53.	INT2_DURATION register .....	35
Table 54.	INT2_DURATION description .....	35
Table 55.	Document revision history .....	41

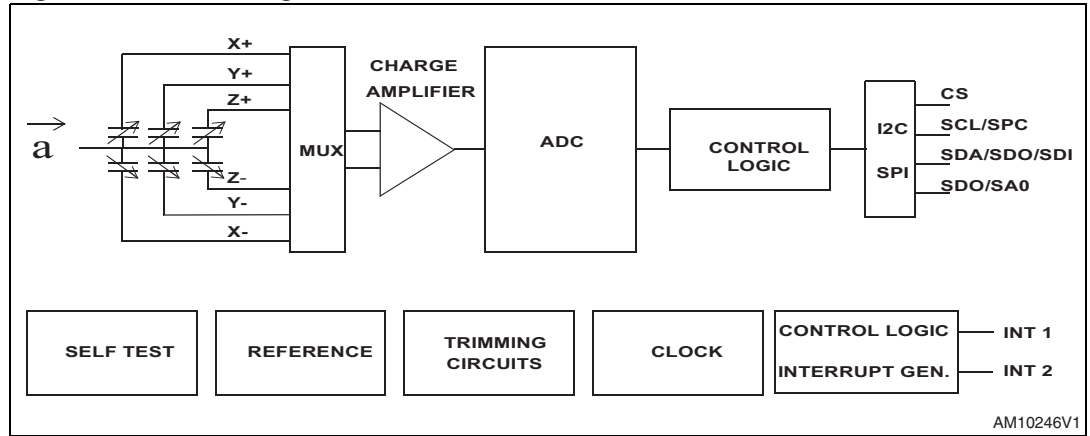
## List of figures

Figure 1.	Block diagram . . . . .	7
Figure 2.	Detectable accelerations and pin indicator . . . . .	7
Figure 3.	SPI slave timing diagram (2). . . . .	12
Figure 4.	I <sup>2</sup> C slave timing diagram . . . . .	13
Figure 5.	AIS328DQ electrical connections . . . . .	17
Figure 6.	Read and write protocol . . . . .	20
Figure 7.	SPI read protocol . . . . .	21
Figure 8.	Multiple byte SPI read protocol (2-byte example). . . . .	22
Figure 9.	SPI write protocol . . . . .	22
Figure 10.	Multiple bytes SPI write protocol (2-byte example). . . . .	22
Figure 11.	SPI read protocol in 3-wire mode . . . . .	23
Figure 12.	QFPN 4x4x1.8mm <sup>3</sup> , 24L: mechanical data and package dimensions . . . . .	38
Figure 13.	Recommended land and solder mask design for QFPN packages . . . . .	40

# 1 Block diagram and pin description

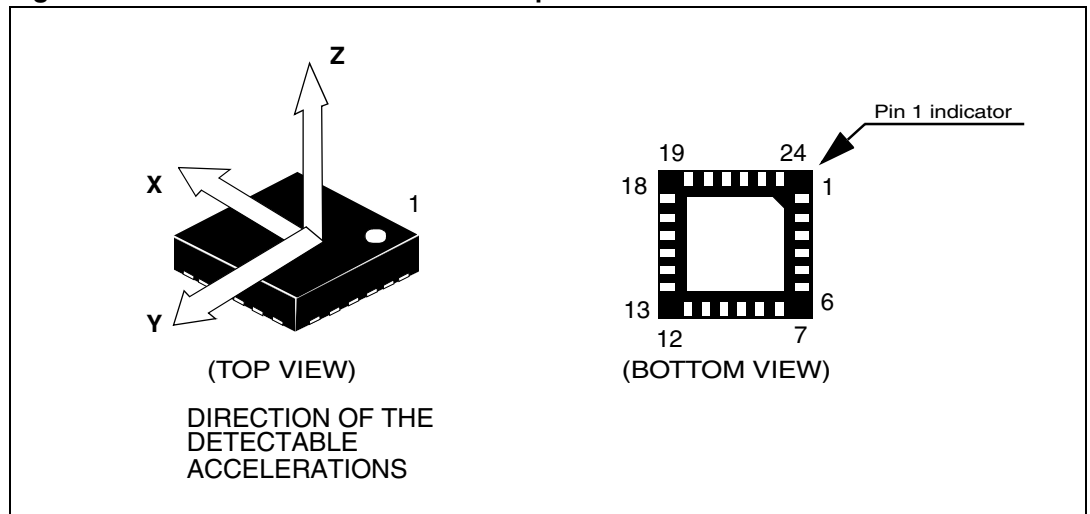
## 1.1 Block diagram

Figure 1. Block diagram



## 1.2 Pin description

Figure 2. Detectable accelerations and pin indicator



**Table 2. Pin description**

Pin#	Name	Function
1,2	NC	Not connected
3	INT_2	Inertial interrupt 2
4	Reserved	Connect to GND
5	VDD	Power supply
6	GND	0 V supply
7	INT_1	Inertial interrupt 1
8	GND	0 V supply
9	GND	0 V supply
10	GND	0 V supply
11	SPC SCL	SPI serial port clock (SPC) I <sup>2</sup> C serial clock (SCL) Internal active pull-up
12	CS	SPI enable I <sup>2</sup> C/SPI mode selection (0: SPI enabled; 1: I <sup>2</sup> C mode) Internal active pull-up
13	Reserved	Connect to Vdd
14	VDD_IO	Power supply for I/O pins
15	SDO SA0	SPI serial data output (SDO) I <sup>2</sup> C less significant bit of the device address (SA0) Internal active pull-up
16	SDI SDO SDA	SPI serial data input (SDI) 3-wire interface serial data output (SDO) I <sup>2</sup> C serial data (SDA) Internal active pull-up
17-24	NC	Not internally connected



## 2 Mechanical and electrical specifications

### 2.1 Mechanical characteristics

@ Vdd=3.3 V, T=-40 °C to +105 °C unless otherwise noted<sup>(a)</sup>.

**Table 3. Mechanical characteristics**

Symbol	Parameter	Test conditions	Min.	Typ. <sup>(1)</sup>	Max.	Unit
FS	Measurement range <sup>(2)</sup>	FS bit set to 00		±2.0		g
		FS bit set to 01		±4.0		
		FS bit set to 11		±8.0		
So	Sensitivity	FS bit set to 00 12-bit representation	0.90	0.98	1.06	mg/digit
		FS bit set to 01 12-bit representation	1.81	1.95	2.12	
		FS bit set to 11 12-bit representation	3.62	3.91	4.25	
Off	Zero-g level offset accuracy <sup>(3),(4),(5)</sup>	X,Y axes	-200		200	mg
		Z-axis	-300		300	
TyOff	Typical zero-g level offset accuracy <sup>(5),(6)</sup>	FS bit set to 00	-30	±20	30	mg
TCOff	Zero-g level change vs. temperature	Excursion from 25 °C (X, Y axes)	-2	±0.2	2	mg/°C
		Excursion from 25 °C (Z-axis)	-3	±0.8	3	
An	Acceleration noise density	FS bit set to 00	100	218	600	µg/Hz
CrAx	Cross-axis <sup>(7)</sup>		-5		+5	%
Vst	Self-test output change <sup>(8),(9),(10)</sup>	FS bit set to 00 X-axis	-500	-800	-1100	LSb
		FS bit set to 00 Y-axis	500	800	1100	LSb
		FS bit set to 00 Z-axis	400	600	800	LSb
Wh	Product weight			60		mgram
Top	Operating temperature range		-40		+105	°C

1. Typical values are not guaranteed.
2. Verified by wafer level test and measurement of initial offset and sensitivity.
3. Zero-g level offset value after MSL3 preconditioning.
4. Zero-g level offset at the FS bit set to 01 and 11 is guaranteed by design.

a. The product is factory calibrated at 3.3 V. Operational power supply (Vdd) over 3.6 V is not recommended.

5. Offset can be eliminated by enabling the built-in high-pass filter.
6. Typical zero-*g* level offset as per factory calibration @ T = 25 °C.
7. Guaranteed by design.
8. The sign of “Self-test output change” is defined by a sign bit, for all axes. Values in *Table 3* are defined with the STsign bit in the CTRL\_REG4 register equal to logic “0” (positive self-test), at T = 25 °C.
9. Self-test output changes with the power supply. “Self-test output change” is defined as  $OUTPUT[LSb]_{(CTRL\_REG4\ ST\ bit=1)} - OUTPUT[LSb]_{(CTRL\_REG4\ ST\ bit=0)}$ . 1LSb=4g/4096 at 12-bit representation, ±2 *g* full-scale.
10. Output data reaches 99% of final value after 3/ODR when enabling self-test mode, due to device filtering.

## 2.2 Electrical characteristics

@ Vdd = 3.3 V, T = -40 °C to +105 °C unless otherwise noted<sup>(b)</sup>.

**Table 4. Electrical characteristics**

Symbol	Parameter	Test conditions	Min.	Typ <sup>(1)</sup> .	Max.	Unit
Vdd	Supply voltage		2.4	3.3	3.6	V
Vdd_IO	I/O pins supply voltage <sup>(2)</sup>		1.8		Vdd+0.1	V
Idd	Current consumption in normal mode	2.4 V to 3.6 V	200		450	µA
IddLP	Current consumption in low-power mode	ODR=1 Hz, BW=500 Hz, T=25 °C	8	10	12	µA
IddPdn	Current consumption in power-down mode		0.1	1	2	µA
VIH	Digital high level input voltage		0.8*Vdd_IO			V
VIL	Digital low level input voltage				0.2*Vdd_IO	V
VOH	High level output voltage		0.9*Vdd_IO			V
VOL	Low level output voltage				0.1*Vdd_IO	V
ODR	Output data rate in normal mode	DR bit set to 00		50		Hz
		DR bit set to 01		100		
		DR bit set to 10		400		
		DR bit set to 11		1000		
ODR <sub>LP</sub>	Output data rate in low-power mode	PM bit set to 010		0.5		Hz
		PM bit set to 011		1		
		PM bit set to 100		2		
		PM bit set to 101		5		
		PM bit set to 110		10		

b. The product is factory calibrated at 3.3 V. Operational power supply (Vdd) over 3.6 V is not recommended.

**Table 4. Electrical characteristics (continued)**

Symbol	Parameter	Test conditions	Min.	Typ <sup>(1)</sup> .	Max.	Unit
BW	System bandwidth			ODR/2		Hz
Ton	Turn-on time <sup>(3)</sup>	ODR = 100 Hz	0.9/ODR +1 ms	1/ODR+1 ms	1.1/ODR +1 ms	s
Top	Operating temperature range		-40		+105	°C

1. Typical values are not guaranteed.
2. It is possible to remove Vdd maintaining Vdd\_IO without blocking the communication busses; in this condition the measurement chain is powered off.
3. Time to obtain valid data after exiting power-down mode.

## 2.3 Communication interface characteristics

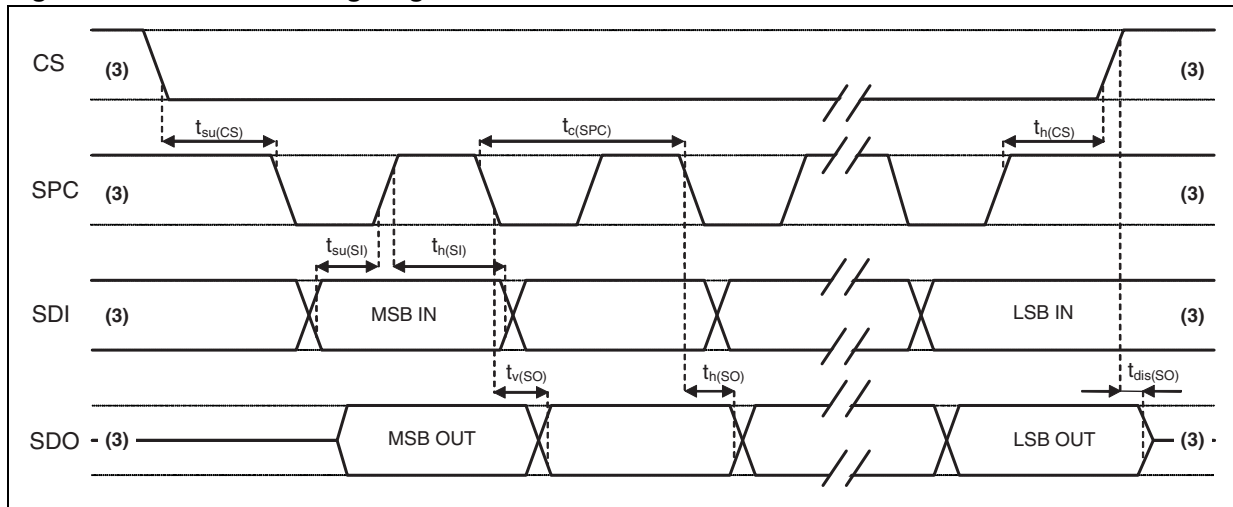
### 2.3.1 SPI - serial peripheral interface

Subject to general operating conditions for Vdd and Top.

**Table 5. SPI slave timing values**

Symbol	Parameter	Value <sup>(1)</sup>		Unit
		Min.	Max.	
tc(SPC)	SPI clock cycle	100		ns
fc(SPC)	SPI clock frequency		10	MHz
tsu(CS)	CS setup time	6		ns
th(CS)	CS hold time	8		
tsu(SI)	SDI input setup time	5		
th(SI)	SDI input hold time	15		
tv(SO)	SDO valid output time		50	
th(SO)	SDO output hold time	9		
tdis(SO)	SDO output disable time		50	

Figure 3. SPI slave timing diagram (2)



1. Values are guaranteed at 10 MHz clock frequency for SPI with both 4 and 3 wires, based on characterization results, not tested in production.
2. Measurement points are made at  $0.2 \cdot V_{dd\_IO}$  and  $0.8 \cdot V_{dd\_IO}$ , for both input and output ports.
3. When no communication is ongoing, data on CS, SPC, SDI and SDO are driven by internal pull-up resistors.

### 2.3.2 I<sup>2</sup>C - inter IC control interface

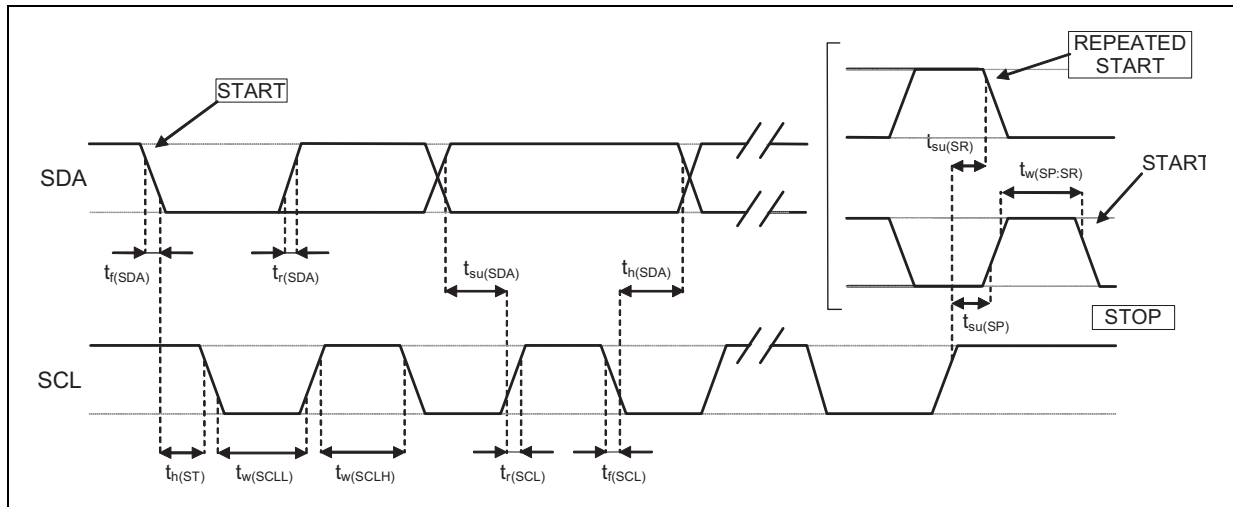
Subject to general operating conditions for V<sub>dd</sub> and top.

Table 6. I<sup>2</sup>C slave timing values

Symbol	Parameter	I <sup>2</sup> C standard mode (1)		I <sup>2</sup> C fast mode (1)		Unit
		Min.	Max.	Min.	Max.	
$f_{(SCL)}$	SCL clock frequency	0	100	0	400	KHz
$t_{w(SCLL)}$	SCL clock low time	4.7		1.3		$\mu$ s
$t_{w(SCLH)}$	SCL clock high time	4.0		0.6		
$t_{su(SDA)}$	SDA setup time	250		100		ns
$t_h(SDA)$	SDA data hold time	0.01	3.45	0.01	0.9	$\mu$ s
$t_h(ST)$	START condition hold time	4		0.6		$\mu$ s
$t_{su(SR)}$	Repeated START condition setup time	4.7		0.6		
$t_{su(SP)}$	STOP condition setup time	4		0.6		
$t_{w(SP:SR)}$	Bus free time between STOP and START condition	4.7		1.3		

1. Data based on standard I<sup>2</sup>C protocol requirement, not tested in production.

Figure 4. I<sup>2</sup>C slave timing diagram (c)



## 2.4 Absolute maximum ratings

Stresses above those listed as “absolute maximum ratings” may cause permanent damage to the device. This is a stress rating only and functional operation of the device under these conditions is not implied. Exposure to maximum rating conditions for extended periods may affect device reliability.

Table 7. Absolute maximum ratings

Symbol	Ratings	Maximum value	Unit
V <sub>DD</sub>	Supply voltage	-0.3 to 4	V
V <sub>DD_IO</sub>	I/O pin supply voltage	-0.3 to 4	V
V <sub>in</sub>	Input voltage on any control pin (CS, SCL/SPC, SDA/SDI/SDO, SDO/SA0)	-0.3 to V <sub>DD_IO</sub> +0.3	V
A <sub>POW</sub>	Acceleration (any axis, powered, V <sub>DD</sub> = 2.5 V) <sup>(1)</sup>	3000 g for 0.5 ms 10000 g for 0.1 ms	
A <sub>UNP</sub>	Acceleration (any axis, unpowered) <sup>(1)</sup>	3000 g for 0.5 ms 10000 g for 0.1 ms	
T <sub>OP</sub>	Operating temperature range	-40 to +105	°C
T <sub>STG</sub>	Storage temperature range	-40 to +125	°C
ESD	Electrostatic discharge protection	4 (HBM)	kV
		1.5 (CDM)	kV
		200 (MM)	V

c. Measurement points are made at 0.2·V<sub>DD\_IO</sub> and 0.8·V<sub>DD\_IO</sub>, for both ports.

1. Design guarantee; characterization done at 1500 g/0.5 ms, 3000 g/0.3 ms, 10000 g/0.1 ms; tests under these conditions have passed successfully.

*Note:* Supply voltage on any pin should never exceed 4.0 V.



This is a mechanical shock sensitive device, improper handling can cause permanent damage to the part.



This is an ESD sensitive device, improper handling can cause permanent damage to the part.

## 2.5 Terminology

### 2.5.1 Sensitivity

Sensitivity describes the gain of the sensor and can be determined, for example, by applying a 1 g acceleration to it. As the sensor can measure DC accelerations, this can be done easily by pointing the axis of interest towards the center of the earth, noting the output value, rotating the sensor by 180 degrees (pointing to the sky) and noting the output value again. By doing so, a  $\pm 1$  g acceleration is applied to the sensor. Subtracting the larger output value from the smaller one, and dividing the result by 2, leads to the actual sensitivity of the sensor. This value changes very little over temperature and also over time. The sensitivity tolerance describes the range of sensitivity of a large population of sensors.

### 2.5.2 Zero-g level

Zero-g level offset (TyOff) describes the deviation of an actual output signal from the ideal output signal if no acceleration is present. A sensor in a steady-state on a horizontal surface measures 0 g on the X-axis and 0 g on the Y-axis, whereas the Z-axis measures 1 g. The output is ideally in the center of the dynamic range of the sensor (the content of the OUT registers is 00h, data expressed as 2's complement number). A deviation from the ideal value in this case is called zero-g offset. Offset is, to some extent, a result of stress to the MEMS sensor and therefore the offset can slightly change after mounting the sensor onto a printed circuit board or exposing it to extensive mechanical stress. Offset changes little over temperature, see "Zero-g level change vs. temperature" in [Table 3](#). The zero-g level tolerance (TyOff) describes the standard deviation of the range of zero-g levels of a population of sensors.

### 2.5.3 Self-test

Self-test allows the sensor functionality to be tested without moving it. The self-test function is off when the self-test bit (ST) of CTRL\_REG4 (control register 4) is programmed to '0'. When the self-test bit of CTRL\_REG4 is programmed to '1' an actuation force is applied to the sensor, simulating a definite input acceleration. In this case, the sensor outputs exhibit a change in their DC levels which are related to the selected full-scale through the device sensitivity.

When self-test is activated, the device output level is given by the algebraic sum of the signals produced by the acceleration acting on the sensor and by the electrostatic test-force. If the output signals change within the amplitude specified in [Table 3](#), then the sensor is working properly and the parameters of the interface chip are within the defined specifications.

#### 2.5.4 Sleep-to-wakeup

The “sleep-to-wakeup” function, in conjunction with low-power mode, allows further reduction of system power consumption and development of new smart applications. The AIS328DQ may be set to a low-power operating mode, characterized by lower data rate refreshments. In this way the device, even if sleeping, continues to sense acceleration and to generate interrupt requests.

When the “sleep-to-wakeup” function is activated, the AIS328DQ is able to automatically wake up as soon as the interrupt event has been detected, increasing the output data rate and bandwidth.

With this feature, the system may be efficiently switched from low-power mode to full-performance depending on user-selectable positioning and acceleration events, therefore ensuring power saving and flexibility.

## 3 Functionality

The AIS328DQ is a “nano”, low-power, digital output 3-axis linear accelerometer packaged in a QFPN package. The device includes a sensing element and an IC interface capable of taking information from the sensing element and providing a signal to external applications through an I<sup>2</sup>C/SPI serial interface.

### 3.1 Sensing element

A proprietary process is used to create a surface micro-machined accelerometer. The technology makes it possible to construct suspended silicon structures which are attached to the substrate at several points called “anchors”, and are free to move in the direction of the sensed acceleration. To be compatible with traditional packaging techniques, a cap is placed on top of the sensing element to prevent blocking of moving parts during the moulding phase of the plastic encapsulation.

When an acceleration is applied to the sensor, the proof mass displaces from its nominal position, causing an imbalance in the capacitive half-bridge. This imbalance is measured using charge integration in response to a voltage pulse applied to the capacitor.

At steady-state, the nominal value of the capacitors are a few pF, and when an acceleration is applied the maximum variation of the capacitive load is in the fF range.

### 3.2 IC interface

The complete measurement chain is composed of a low-noise capacitive amplifier which converts the capacitive unbalancing of the MEMS sensor into an analog voltage that is made available to the user through an analog-to-digital converter.

The acceleration data may be accessed through an I<sup>2</sup>C/SPI interface, therefore making the device particularly suitable for direct interfacing with a microcontroller.

The AIS328DQ features a data-ready signal (RDY) which indicates when a new set of measured acceleration data is available, therefore simplifying data synchronization in the digital system that uses the device.

The AIS328DQ may also be configured to generate an inertial wakeup and free-fall interrupt signal based on a programmed acceleration event along the enabled axes. Both free-fall and wakeup can be available simultaneously on two different pins.

### 3.3 Factory calibration

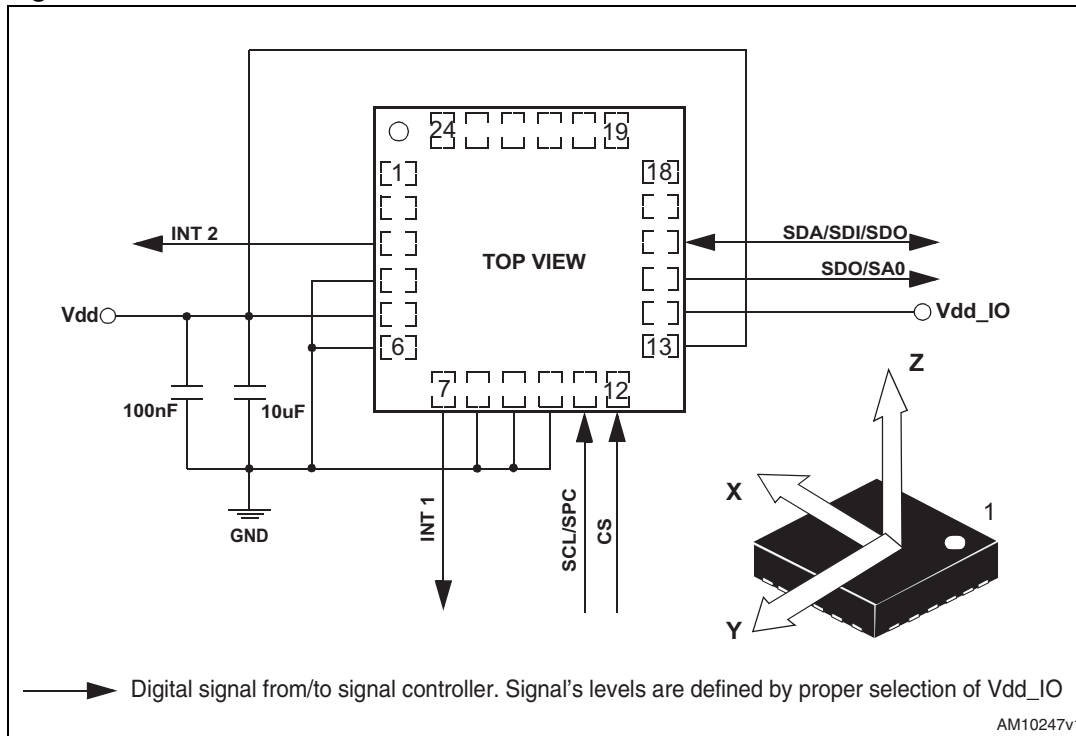
The IC interface is factory calibrated for sensitivity ( $S_0$ ) and zero- $g$  level ( $TyOff$ ).

The trimming values are stored inside the device in non-volatile memory. When the device is turned on, the trimming parameters are downloaded into the registers to be used during active operation. This allows the device to be used without further calibration.



# 4 Application hints

Figure 5. AIS328DQ electrical connections



The device core is supplied through the Vdd line while the I/O pads are supplied through the Vdd\_IO line. Power supply decoupling capacitors (100 nF ceramic, 10 µF aluminum) should be placed as near as possible to pin 5 of the device (common design practice).

All the voltage and ground supplies must be present at the same time to obtain proper behavior of the IC (refer to [Figure 5](#)). It is possible to remove Vdd while maintaining Vdd\_IO without blocking the communication bus; in this condition the measurement chain is powered off.

The functionality of the device and the measured acceleration data is selectable and accessible through the I<sup>2</sup>C or SPI interfaces. When using the I<sup>2</sup>C, CS must be tied high.

The functions, the threshold, and the timing of the two interrupt pins (INT 1 and INT 2) can be completely programmed by the user through the I<sup>2</sup>C/SPI interface.

## 5 Digital interfaces

The registers embedded in the AIS328DQ may be accessed through both the I<sup>2</sup>C and SPI serial interfaces. The latter may be SW configured to operate either in 3-wire or 4-wire interface mode.

The serial interfaces are mapped onto the same pads. To select/exploit the I<sup>2</sup>C interface, the CS line must be tied high (i.e. connected to Vdd\_IO).

**Table 8. Serial interface pin description**

Pin name	Pin description
CS	SPI enable I <sup>2</sup> C/SPI mode selection (1: I <sup>2</sup> C mode; 0: SPI enabled)
SCL	I <sup>2</sup> C serial clock (SCL)
SPC	SPI serial port clock (SPC)
SDA	I <sup>2</sup> C serial data (SDA)
SDI	SPI serial data input (SDI)
SDO	3-wire interface serial data output (SDO)
SA0	I <sup>2</sup> C less significant bit of the device address (SA0)
SDO	SPI serial data output (SDO)

### 5.1 I<sup>2</sup>C serial interface

The AIS328DQ I<sup>2</sup>C is a bus slave. The I<sup>2</sup>C is employed to write data into registers, the content of which can also be read back.

The relevant I<sup>2</sup>C terminology is provided in [Table 9](#) below.

**Table 9. Serial interface pin description**

Term	Description
Transmitter	The device which sends data to the bus
Receiver	The device which receives data from the bus
Master	The device which initiates a transfer, generates clock signals and terminates a transfer
Slave	The device addressed by the master

There are two signals associated with the I<sup>2</sup>C bus: the serial clock line (SCL) and the serial data line (SDA). The latter is a bi-directional line used for sending and receiving the data to/from the interface. Both lines are connected to Vdd\_IO through a pull-up resistor embedded in the AIS328DQ. When the bus is free, both lines are high.

The I<sup>2</sup>C interface is compliant with fast mode (400 kHz) I<sup>2</sup>C standards as well as with the normal mode.

### 5.1.1 I<sup>2</sup>C operation

The transaction on the bus is started through a START (ST) signal. A START condition is defined as a HIGH to LOW transition on the data line while the SCL line is held HIGH. After this has been transmitted by the master, the bus is considered busy. The next byte of data transmitted after the start condition contains the address of the slave in the first 7 bits and the eighth bit tells whether the master is receiving data from the slave or transmitting data to the slave. When an address is sent, each device in the system compares the first seven bits after a start condition with its address. If they match, the device considers itself addressed by the master.

The slave address (SAD) associated to the AIS328DQ is 001100xb. The **SDO/SA0** pad can be used to modify the less significant bit of the device address. If the SA0 pad is connected to voltage supply, LSb is '1' (address 0011001b), otherwise if the SA0 pad is connected to ground, the LSb value is '0' (address 0011000b). This solution permits the connection and addressing of two different accelerometers to the same I<sup>2</sup>C lines.

Data transfer with acknowledge is mandatory. The transmitter must release the SDA line during the acknowledge pulse. The receiver must then pull the data line LOW so that it remains stable low during the HIGH period of the acknowledge clock pulse. A receiver which has been addressed is obliged to generate an acknowledge after each byte of data received.

The I<sup>2</sup>C embedded in the AIS328DQ behaves like a slave device, and the following protocol must be adhered to. After the start condition (ST) a slave address is sent. Once a slave acknowledge (SAK) has been returned, an 8-bit sub-address (SUB) is transmitted: the 7 LSb represent the actual register address while the MSb enables address auto-increment. If the MSb of the SUB field is '1', the SUB (register address) is automatically increased to allow multiple data read/write.

The slave address is completed with a read/write bit. If the bit is '1' (read), a repeated START (SR) condition must be issued after the two sub-address bytes; if the bit is '0' (write) the master transmits to the slave with direction unchanged. [Table 10](#) explains how the SAD+Read/Write bit pattern is composed, listing all the possible configurations.

**Table 10. SAD+Read/Write patterns**

Command	SAD[6:1]	SAD[0] = SA0	R/W	SAD+R/W
Read	001100	0	1	00110001 (31h)
Write	001100	0	0	00110000 (30h)
Read	001100	1	1	00110011 (33h)
Write	001100	1	0	00110010 (32h)

**Table 11. Transfer when master is writing one byte to slave**

Master	ST	SAD + W		SUB		DATA		SP
Slave			SAK		SAK		SAK	

**Table 12. Transfer when master is writing multiple bytes to slave**

Master	ST	SAD + W		SUB		DATA		DATA		SP
Slave			SAK		SAK		SAK		SAK	

**Table 13. Transfer when master is receiving (reading) one byte of data from slave**

Master	ST	SAD + W		SUB		SR	SAD + R			NMAK	SP
Slave			SAK		SAK			SAK	DATA		

**Table 14. Transfer when master is receiving (reading) multiple bytes of data from slave**

Master	ST	SAD+W		SUB		SR	SAD+R			MAK		MAK		NMAK	SP
Slave			SAK		SAK			SAK	DATA		DATA		DATA		

Data are transmitted in byte format (DATA). Each data transfer contains 8 bits. The number of bytes transferred per transfer is unlimited. Data is transferred with the most significant bit (MSb) first. If a receiver cannot receive another complete byte of data until it has performed some other function, it can hold the clock line SCL LOW to force the transmitter into a wait state. Data transfer only continues when the receiver is ready for another byte and releases the data line. If a slave receiver does not acknowledge the slave address (i.e. it is not able to receive because it is performing some real-time function) the data line must be left HIGH by the slave. The master can then abort the transfer. A LOW to HIGH transition on the SDA line while the SCL line is HIGH is defined as a STOP condition. Each data transfer must be terminated by the generation of a STOP (SP) condition.

In order to read multiple bytes, it is necessary to assert the most significant bit of the sub-address field. In other words, SUB(7) must be equal to 1 while SUB(6-0) represents the address of the first register to be read.

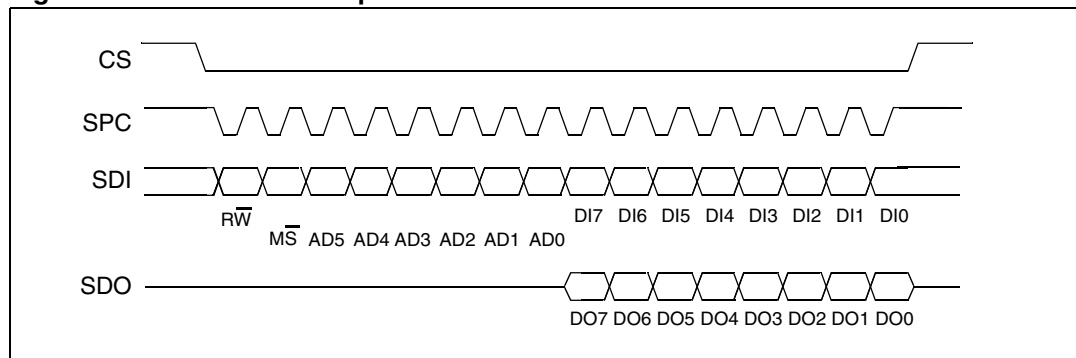
In the presented communication format, MAK is master acknowledge and NMAK is no master acknowledge.

## 5.2 SPI bus interface

The AIS328DQ SPI is a bus slave. The SPI allows the writing and reading of the registers of the device.

The serial interface interacts with the outside world through 4 wires: **CS**, **SPC**, **SDI** and **SDO**.

**Figure 6. Read and write protocol**



**CS** is the serial port enable and is controlled by the SPI master. It goes low at the start of the transmission and returns high at the end. **SPC** is the serial port clock and is controlled by the SPI master. It is stopped high when **CS** is high (no transmission). **SDI** and **SDO** are, respectively, the serial port data input and output. Those lines are driven at the falling edge of **SPC** and should be captured at the rising edge of **SPC**.

Both the read register and write register commands are completed in 16 clock pulses or in multiples of 8 in cases of multiple read/write bytes. Bit duration is the time between two falling edges of **SPC**. The first bit (bit 0) starts at the first falling edge of **SPC**, after the falling edge of **CS**, while the last bit (bit 15, bit 23, ...) starts at the last falling edge of **SPC**, just before the rising edge of **CS**.

**bit 0**:  $\overline{RW}$  bit. When 0, the data DI(7:0) is written into the device. When 1, the data DO(7:0) from the device is read. In the latter case, the chip drives **SDO** at the start of bit 8.

**bit 1**:  $\overline{MS}$  bit. When 0, the address remains unchanged in multiple read/write commands. When 1, the address is auto-incremented in multiple read/write commands.

**bit 2-7**: address AD(5:0). This is the address field of the indexed register.

**bit 8-15**: data DI(7:0) (write mode). This is the data that is written to the device (MSb first).

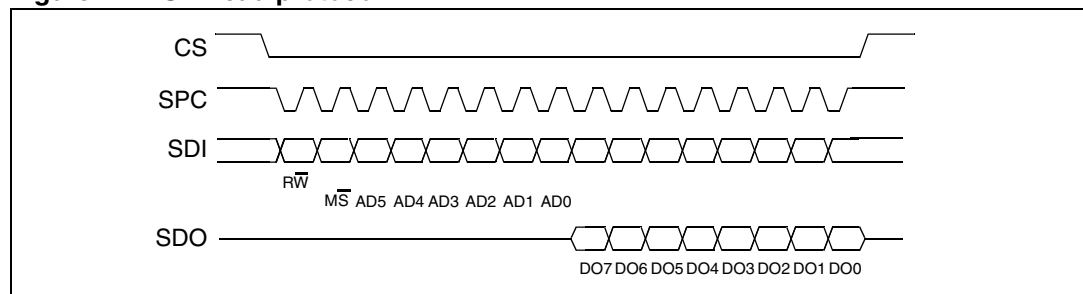
**bit 8-15**: data DO(7:0) (read mode). This is the data that is read from the device (MSb first).

In multiple read/write commands further blocks of 8 clock periods are added. When  $\overline{MS}$  bit is '0' the address used to read/write data remains the same for every block. When  $\overline{MS}$  bit is '1' the address used to read/write data is increased at every block.

The function and the behavior of **SDI** and **SDO** remain unchanged.

## 5.2.1 SPI read

**Figure 7. SPI read protocol**



The SPI read command is performed with 16 clock pulses. Multiple byte read commands are performed by adding blocks of 8 clock pulses to the previous one.

**bit 0**: READ bit. The value is 1.

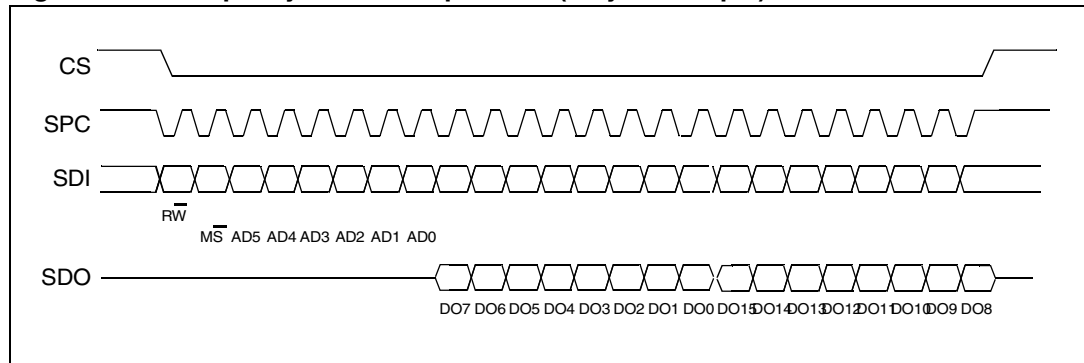
**bit 1**:  $\overline{MS}$  bit. When 0, do not increment address; when 1, increment address in multiple readings.

**bit 2-7**: address AD(5:0). This is the address field of the indexed register.

**bit 8-15**: data DO(7:0) (read mode). This is the data that is read from the device (MSb first).

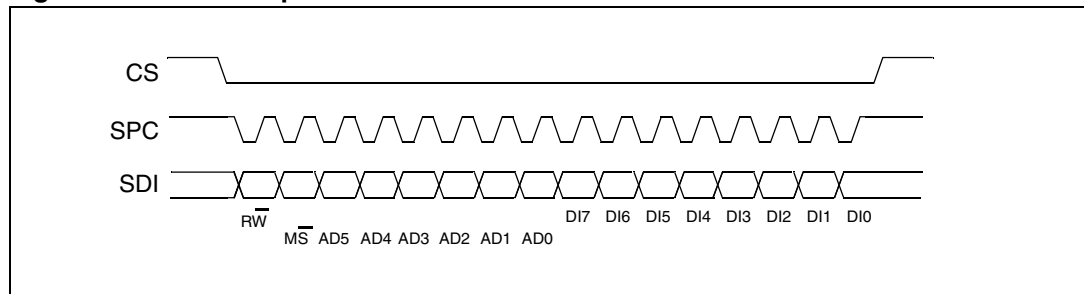
**bit 16-...**: data DO(...-8). Further data in multiple byte reading.

**Figure 8. Multiple byte SPI read protocol (2-byte example)**



### 5.2.2 SPI write

**Figure 9. SPI write protocol**



The SPI write command is performed with 16 clock pulses. Multiple byte write commands are performed by adding blocks of 8 clock pulses to the previous one.

**bit 0:** WRITE bit. The value is 0.

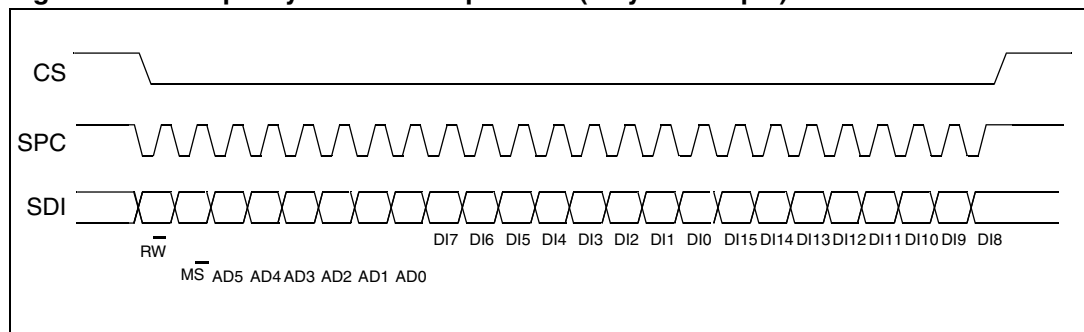
**bit 1:**  $\overline{MS}$  bit. When 0, do not increment address; when 1, increment address in multiple writing.

**bit 2 -7:** address AD(5:0). This is the address field of the indexed register.

**bit 8-15:** data DI(7:0) (write mode). This is the data that is written to the device (MSb first).

**bit 16-...** : data DI(...-8). Further data in multiple byte writing.

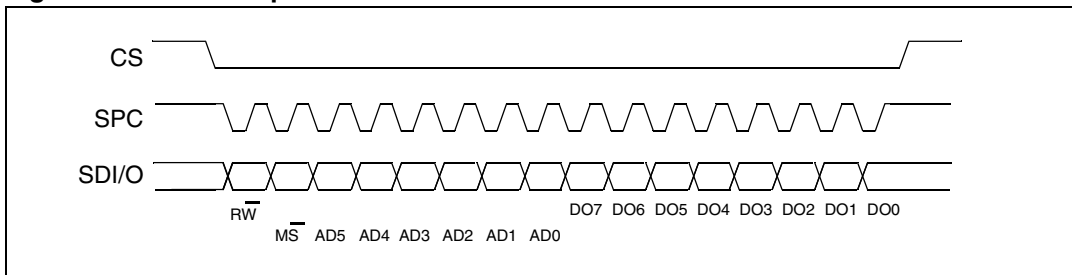
**Figure 10. Multiple bytes SPI write protocol (2-byte example)**



### 5.2.3 SPI read in 3-wire mode

3-wire mode is entered by setting to '1' the bit SIM (SPI serial interface mode selection) in CTRL\_REG4.

**Figure 11. SPI read protocol in 3-wire mode**



The SPI read command is performed with 16 clock pulses:

**bit 0:** READ bit. The value is 1.

**bit 1:**  $\overline{MS}$  bit. When 0, do not increment address; when 1, increment address in multiple reading.

**bit 2-7:** address AD(5:0). This is the address field of the indexed register.

**bit 8-15:** data DO(7:0) (read mode). This is the data that is read from the device (MSb first).

Multiple read command is also available in 3-wire mode.

*Note: If AIS328DQ is used in a multi-SPI slave environment (several devices sharing the same SPI bus), the accelerometer can be forced by software to remain in SPI mode. This objective can be achieved by sending at the beginning of the SPI communication the following sequence to the device:*

```
a = read(0x17)
write(0x17, (0x80 OR a))
```

*The programming of this register is a possibility to enhance the robustness of the SPI system.*

## 6 Register mapping

*Table 15* below provides a list of the 8-bit registers embedded in the device, and the related addresses.

**Table 15. Register address map**

Name	Type	Register address		Default	Comment
		Hex	Binary		
Reserved (do not modify)		00 - 0E			Reserved
WHO_AM_I	r	0F	000 1111	00110010	Dummy register
Reserved (do not modify)		10 - 1F			Reserved
CTRL_REG1	rw	20	010 0000	00000111	
CTRL_REG2	rw	21	010 0001	00000000	
CTRL_REG3	rw	22	010 0010	00000000	
CTRL_REG4	rw	23	010 0011	00000000	
CTRL_REG5	rw	24	010 0100	00000000	
HP_FILTER_RESET	r	25	010 0101		Dummy register
REFERENCE	rw	26	010 0110	00000000	
STATUS_REG	r	27	010 0111	00000000	
OUT_X_L	r	28	010 1000	output	
OUT_X_H	r	29	010 1001	output	
OUT_Y_L	r	2A	010 1010	output	
OUT_Y_H	r	2B	010 1011	output	
OUT_Z_L	r	2C	010 1100	output	
OUT_Z_H	r	2D	010 1101	output	
Reserved (do not modify)		2E - 2F			Reserved
INT1_CFG	rw	30	011 0000	00000000	
INT1_SOURCE	r	31	011 0001	00000000	
INT1_THS	rw	32	011 0010	00000000	
INT1_DURATION	rw	33	011 0011	00000000	
INT2_CFG	rw	34	011 0100	00000000	
INT2_SOURCE	r	35	011 0101	00000000	
INT2_THS	rw	36	011 0110	00000000	
INT2_DURATION	rw	37	011 0111	00000000	
Reserved (do not modify)		38 - 3F			Reserved

Registers marked as *Reserved* must not be changed. Writing to those registers may change calibration data and therefore lead to a non-proper working device.



The content of the registers that are loaded at boot should not be changed. They contain the factory calibrated values. Their content is automatically restored when the device is powered up.

## 7 Register description

The device contains a set of registers which are used to control its behavior and to retrieve acceleration data. The register addresses, composed of 7 bits, are used to identify the device and to write the data through the serial interface.

### 7.1 WHO\_AM\_I (0Fh)

**Table 16. WHO\_AM\_I register**

0	0	1	1	0	0	1	0
---	---	---	---	---	---	---	---

This is the device identification register. This register contains the device identifier, which for the AIS328DQ is set to 32h.

### 7.2 CTRL\_REG1 (20h)

**Table 17. CTRL\_REG1 register**

PM2	PM1	PM0	DR1	DR0	Zen	Yen	Xen
-----	-----	-----	-----	-----	-----	-----	-----

**Table 18. CTRL\_REG1 description**

PM2 - PM0	Power mode selection. Default value: 000 (000: power-down; Others: refer to <a href="#">Table 19</a> )
DR1, DR0	Data rate selection. Default value: 00 (00:50 Hz; Others: refer to <a href="#">Table 20</a> )
Zen	Z-axis enable. Default value: 1 (0: Z-axis disabled; 1: Z-axis enabled)
Yen	Y-axis enable. Default value: 1 (0: Y-axis disabled; 1: Y-axis enabled)
Xen	X-axis enable. Default value: 1 (0: X-axis disabled; 1: X-axis enabled)

**PM** bits allow selection between power-down and two operating active modes. The device is in power-down mode when the PD bits are set to “000” (default value after boot). [Table 19](#) shows all the possible power mode configurations and respective output data rates. Output data in the low-power modes are computed with the low-pass filter cut-off frequency defined by the DR1 and DR0 bits.

**DR** bits, in normal-mode operation, select the data rate at which acceleration samples are produced. In low-power mode they define the output data resolution. [Table 20](#) shows all the possible configurations for the DR1 and DR0 bits.

**Table 19. Power mode and low-power output data rate configurations**

PM2	PM1	PM0	Power mode selection	Output data rate [Hz] ODR <sub>LP</sub>
0	0	0	Power-down	--
0	0	1	Normal mode	ODR
0	1	0	Low-power	0.5
0	1	1	Low-power	1
1	0	0	Low-power	2
1	0	1	Low-power	5
1	1	0	Low-power	10

**Table 20. Normal-mode output data rate configurations and low-pass cut-off frequencies**

DR1	DR0	Output Data Rate [Hz] ODR	Low-pass filter cut-off frequency [Hz]
0	0	50	37
0	1	100	74
1	0	400	292
1	1	1000	780

## 7.3 CTRL\_REG2 (21h)

**Table 21. CTRL\_REG2 register**

BOOT	HPM1	HPM0	FDS	HPen2	HPen1	HPCF1	HPCF0
------	------	------	-----	-------	-------	-------	-------

**Table 22. CTRL\_REG2 description**

BOOT	Reboot memory content. Default value: 0 (0: normal mode; 1: reboot memory content)
HPM1, HPM0	High-pass filter mode selection. Default value: 00 (00: normal mode; Others: refer to <a href="#">Table 23</a> )
FDS	Filtered data selection. Default value: 0 (0: internal filter bypassed; 1: data from internal filter sent to output register)
HPen2	High-pass filter enabled for interrupt 2 source. Default value: 0 (0: filter bypassed; 1: filter enabled)
HPen1	High-pass filter enabled for interrupt 1 source. Default value: 0 (0: filter bypassed; 1: filter enabled)
HPCF1, HPCF0	High-pass filter cut-off frequency configuration. Default value: 00 (00: HPC=8; 01: HPC=16; 10: HPC=32; 11: HPC=64)

The **BOOT** bit is used to refresh the content of internal registers stored in the Flash memory block. At device power-up, the content of the Flash memory block is transferred to the internal registers related to the trimming functions, to permit good behavior of the device. If for any reason the content of the trimming register is changed, this bit can be used to restore the correct values. When the BOOT bit is set to '1' the content of the internal Flash is copied to the corresponding internal registers and is used to calibrate the device. These values are factory-trimmed and they are different for every accelerometer. They permit good behavior of the device and normally do not need to be modified. At the end of the boot process, the BOOT bit is again set to '0'.

**Table 23. High-pass filter mode configuration**

HPM1	HPM0	High-pass filter mode
0	0	Normal mode (reset reading HP_RESET_FILTER)
0	1	Reference signal for filtering
1	0	Normal mode (reset reading HP_RESET_FILTER)

**HPCF[1:0]**. These bits are used to configure the high-pass filter cut-off frequency  $f_t$  which is given by:

$$f_t = \ln\left(1 - \frac{1}{\text{HPC}}\right) \cdot \frac{f_s}{2\pi}$$

The equation can be simplified to the following approximated equation:

$$f_t = \frac{f_s}{6 \cdot \text{HPC}}$$

**Table 24. High-pass filter cut-off frequency configuration**

HPcoeff2,1	$f_t$ [Hz] Data rate = 50 Hz	$f_t$ [Hz] Data rate = 100 Hz	$f_t$ [Hz] Data rate = 400 Hz	$f_t$ [Hz] Data rate = 1000 Hz
00	1	2	8	20
01	0.5	1	4	10
10	0.25	0.5	2	5
11	0.125	0.25	1	2.5

## 7.4 CTRL\_REG3 [Interrupt CTRL register] (22h)

**Table 25. CTRL\_REG3 register**

IHL	PP_OD	LIR2	I2_CFG1	I2_CFG0	LIR1	I1_CFG1	I1_CFG0
-----	-------	------	---------	---------	------	---------	---------

**Table 26. CTRL\_REG3 description**

IHL	Interrupt active high, low. Default value: 0 (0: active high; 1: active low)
PP_OD	Push-pull/open drain selection on interrupt pad. Default value 0. (0: push-pull; 1: open drain)
LIR2	Latch interrupt request on the INT2_SRC register, with the INT2_SRC register cleared by reading INT2_SRC itself. Default value: 0. (0: interrupt request not latched; 1: interrupt request latched)
I2_CFG1, I2_CFG0	Data signal on INT 2 pad control bits. Default value: 00. (see <a href="#">Table 27</a> )
LIR1	Latch interrupt request on the INT1_SRC register, with the INT1_SRC register cleared by reading the INT1_SRC register. Default value: 0. (0: interrupt request not latched; 1: interrupt request latched)
I1_CFG1, I1_CFG0	Data signal on INT 1 pad control bits. Default value: 00. (see <a href="#">Table 27</a> )

**Table 27. Data signal on INT 1 and INT 2 pad**

I1(2)_CFG1	I1(2)_CFG0	INT 1(2) Pad
0	0	Interrupt 1 (2) source
0	1	Interrupt 1 source OR interrupt 2 source
1	0	Data ready
1	1	Boot running

## 7.5 CTRL\_REG4 (23h)

**Table 28. CTRL\_REG4 register**

BDU	BLE	FS1	FS0	STsign	0	ST	SIM
-----	-----	-----	-----	--------	---	----	-----

**Table 29. CTRL\_REG4 description**

BDU	Block data update. Default value: 0 (0: continuous update; 1: output registers not updated between MSb and LSb reading)
BLE	Big/little endian data selection. Default value 0. (0: data LSb @ lower address; 1: data MSb @ lower address)
FS1, FS0	Full-scale selection. Default value: 00. (00: $\pm 2 g$ ; 01: $\pm 4 g$ ; 11: $\pm 8 g$ )
STsign	Self-test sign. Default value: 00. (0: self-test plus; 1 self-test minus)

**Table 29. CTRL\_REG4 description (continued)**

ST	Self-test enable. Default value: 0. (0: self-test disabled; 1: self-test enabled)
SIM	SPI serial interface mode selection. Default value: 0. (0: 4-wire interface; 1: 3-wire interface)

The **BDU** bit is used to inhibit the output register update between the reading of upper and lower register parts. In default mode (BDU = '0'), the lower and upper register parts are updated continuously. If it is not certain to read faster than output data rate, it is recommended to set the BDU bit to '1'. In this way, after the reading of the lower (upper) register part, the content of that output register is not updated until the upper (lower) part is read also. This feature prevents the reading of LSb and MSb related to different samples.

## 7.6 CTRL\_REG5 (24h)

**Table 30. CTRL\_REG5 register**

0	0	0	0	0	0	TurnOn1	TurnOn0
---	---	---	---	---	---	---------	---------

**Table 31. CTRL\_REG5 description**

TurnOn1, TurnOn0	Turn-on mode selection for sleep-to-wake function. Default value: 00.
------------------	---

**TurnOn** bits are used for turning on the **sleep-to-wake** function.

**Table 32. Sleep-to-wake configuration**

TurnOn1	TurnOn0	Sleep-to-wake status
0	0	Sleep-to-wake function is disabled
1	1	Turned on: the device is in low power mode (ODR is defined in CTRL_REG1)

By setting TurnOn[1:0] bits to 11, the “sleep-to-wake” function is enabled. When an interrupt event occurs, the device is switched to normal mode, increasing the ODR to the value defined in CTRL\_REG1. Although the device is in normal mode, the CTRL\_REG1 content is not automatically changed to “normal mode” configuration.

## 7.7 HP\_FILTER\_RESET (25h)

Dummy register. Reading at this address instantaneously zeroes the content of the internal high-pass filter. If the high-pass filter is enabled, all three axes are instantaneously set to 0 g. This makes it possible to surmount the settling time of the high-pass filter.

## 7.8 REFERENCE (26h)

**Table 33. REFERENCE register**

Ref7	Ref6	Ref5	Ref4	Ref3	Ref2	Ref1	Ref0
------	------	------	------	------	------	------	------

**Table 34. REFERENCE description**

Ref7 - Ref0	Reference value for high-pass filter. Default value: 00h.
-------------	---

This register sets the acceleration value taken as a reference for the high-pass filter output.

When the filter is turned on (at least one FDS, HPen2, or HPen1 bit is equal to '1') and HPM bits are set to "01", filter out is generated taking this value as a reference.

## 7.9 STATUS\_REG (27h)

**Table 35. STATUS\_REG register**

ZYXOR	ZOR	YOR	XOR	ZYXDA	ZDA	YDA	XDA
-------	-----	-----	-----	-------	-----	-----	-----

**Table 36. STATUS\_REG description**

ZYXOR	X, Y and Z-axis data overrun. Default value: 0 (0: no overrun has occurred; 1: new data has overwritten the previous one before it was read)
ZOR	Z-axis data overrun. Default value: 0 (0: no overrun has occurred; 1: new data for the Z-axis has overwritten the previous one)
YOR	Y-axis data overrun. Default value: 0 (0: no overrun has occurred; 1: new data for the Y-axis has overwritten the previous one)
XOR	X-axis data overrun. Default value: 0 (0: no overrun has occurred; 1: new data for the X-axis has overwritten the previous one)
ZYXDA	X, Y and Z-axis new data available. Default value: 0 (0: a new set of data is not yet available; 1: a new set of data is available)
ZDA	Z-axis new data available. Default value: 0 (0: new data for the Z-axis is not yet available; 1: new data for the Z-axis is available)
YDA	Y-axis new data available. Default value: 0 (0: new data for the Y-axis is not yet available; 1: new data for the Y-axis is available)
XDA	X-axis new data available. Default value: 0 (0: new data for the X-axis is not yet available; 1: new data for the X-axis is available)

**7.10 OUT\_X\_L (28h), OUT\_X\_H (29)**

X-axis acceleration data. The value is expressed as 2's complement.

**7.11 OUT\_Y\_L (2Ah), OUT\_Y\_H (2Bh)**

Y-axis acceleration data. The value is expressed as 2's complement.

**7.12 OUT\_Z\_L (2Ch), OUT\_Z\_H (2Dh)**

Z-axis acceleration data. The value is expressed as 2's complement.

**7.13 INT1\_CFG (30h)****Table 37. INT1\_CFG register**

AOI	6D	ZHIE	ZLIE	YHIE	YLIE	XHIE	XLIE
-----	----	------	------	------	------	------	------

**Table 38. INT1\_CFG description**

AOI	AND/OR combination of interrupt events. Default value: 0. (See <a href="#">Table 39</a> )
6D	6 direction detection function enable. Default value: 0. (See <a href="#">Table 39</a> )
ZHIE	Enable interrupt generation on Z high event. Default value: 0 (0: disable interrupt request; 1: enable interrupt request on measured accel. value higher than preset threshold)
ZLIE	Enable interrupt generation on Z low event. Default value: 0 (0: disable interrupt request; 1: enable interrupt request on measured accel. value lower than preset threshold)
YHIE	Enable interrupt generation on Y high event. Default value: 0 (0: disable interrupt request; 1: enable interrupt request on measured accel. value higher than preset threshold)
YLIE	Enable interrupt generation on Y low event. Default value: 0 (0: disable interrupt request; 1: enable interrupt request on measured accel. value lower than preset threshold)
XHIE	Enable interrupt generation on X high event. Default value: 0 (0: disable interrupt request; 1: enable interrupt request on measured accel. value higher than preset threshold)
XLIE	Enable interrupt generation on X low event. Default value: 0 (0: disable interrupt request; 1: enable interrupt request on measured accel. value lower than preset threshold)

Configuration register for interrupt 1 source.



**Table 39. Interrupt 1 source configurations**

AOI	6D	Interrupt mode
0	0	OR combination of interrupt events
0	1	6-direction movement recognition
1	0	AND combination of interrupt events
1	1	6-direction position recognition

## 7.14 INT1\_SRC (31h)

**Table 40. INT1\_SRC register**

0	IA	ZH	ZL	YH	YL	XH	XL
---	----	----	----	----	----	----	----

**Table 41. INT1\_SRC description**

IA	Interrupt active. Default value: 0 (0: no interrupt has been generated; 1: one or more interrupts have been generated)
ZH	Z high. Default value: 0 (0: no interrupt, 1: Z high event has occurred)
ZL	Z low. Default value: 0 (0: no interrupt; 1: Z low event has occurred)
YH	Y high. Default value: 0 (0: no interrupt, 1: Y high event has occurred)
YL	Y low. Default value: 0 (0: no interrupt, 1: Y low event has occurred)
XH	X high. Default value: 0 (0: no interrupt, 1: X high event has occurred)
XL	X low. Default value: 0 (0: no interrupt, 1: X low event has occurred)

Interrupt 1 source register. Read-only register.

Reading at this address clears the INT1\_SRC IA bit (and the interrupt signal on the INT 1 pin) and allows the refreshing of data in the INT1\_SRC register if the latched option was chosen.

## 7.15 INT1\_THS(32h)

**Table 42. INT1\_THS register**

0	THS6	THS5	THS4	THS3	THS2	THS1	THS0
---	------	------	------	------	------	------	------

**Table 43. INT1\_THS description**

THS6 - THS0	Interrupt 1 threshold. Default value: 000 0000
-------------	--

## 7.16 INT1\_DURATION (33h)

**Table 44. INT1\_DURATION register**

0	D6	D5	D4	D3	D2	D1	D0
---	----	----	----	----	----	----	----

**Table 45. INT2\_DURATION description**

D6 - D0	Duration value. Default value: 000 0000
---------	---

The D6 - D0 bits set the minimum duration of the interrupt 2 event to be recognized. Duration steps and maximum values depend on the ODR chosen.

## 7.17 INT2\_CFG (34h)

**Table 46. INT2\_CFG register**

AOI	6D	ZHIE	ZLIE	YHIE	YLIE	XHIE	XLIE
-----	----	------	------	------	------	------	------

**Table 47. INT2\_CFG description**

AOI	AND/OR combination of interrupt events. Default value: 0. (see <a href="#">Table 48</a> )
6D	6-direction detection function enable. Default value: 0. (see <a href="#">Table 48</a> )
ZHIE	Enable interrupt generation on Z high event. Default value: 0 (0: disable interrupt request; 1: enable interrupt request on measured accel. value higher than preset threshold)
ZLIE	Enable interrupt generation on Z low event. Default value: 0 (0: disable interrupt request; 1: enable interrupt request on measured accel. value lower than preset threshold)
YHIE	Enable interrupt generation on Y high event. Default value: 0 (0: disable interrupt request; 1: enable interrupt request on measured accel. value higher than preset threshold)
YLIE	Enable interrupt generation on Y low event. Default value: 0 (0: disable interrupt request; 1: enable interrupt request on measured accel. value lower than preset threshold)
XHIE	Enable interrupt generation on X high event. Default value: 0 (0: disable interrupt request; 1: enable interrupt request on measured accel. value higher than preset threshold)
XLIE	Enable interrupt generation on X low event. Default value: 0 (0: disable interrupt request; 1: enable interrupt request on measured accel. value lower than preset threshold)

Configuration register for interrupt 2 source.

**Table 48. Interrupt mode configuration**

AOI	6D	Interrupt mode
0	0	OR combination of interrupt events
0	1	6-direction movement recognition
1	0	AND combination of interrupt events
1	1	6-direction position recognition

## 7.18 INT2\_SRC (35h)

**Table 49. INT2\_SRC register**

0	IA	ZH	ZL	YH	YL	XH	XL
---	----	----	----	----	----	----	----

**Table 50. INT2\_SRC description**

IA	Interrupt active. Default value: 0 (0: no interrupt has been generated; 1: one or more interrupts have been generated)
ZH	Z high. Default value: 0 (0: no interrupt, 1: Z high event has occurred)
ZL	Z low. Default value: 0 (0: no interrupt; 1: Z low event has occurred)
YH	Y high. Default value: 0 (0: no interrupt, 1: Y high event has occurred)
YL	Y low. Default value: 0 (0: no interrupt, 1: Y low event has occurred)
XH	X high. Default value: 0 (0: no interrupt, 1: X high event has occurred)
XL	X Low. Default value: 0 (0: no interrupt, 1: X low event has occurred)

Interrupt 2 source register. Read only register.

Reading at this address clears the INT2\_SRC IA bit (and the interrupt signal on the INT 2 pin) and allows the refreshing of data in the INT2\_SRC register if the latched option was chosen.

## 7.19 INT2\_THS (36h)

**Table 51. INT2\_THS register**

0	THS6	THS5	THS4	THS3	THS2	THS1	THS0
---	------	------	------	------	------	------	------

**Table 52. INT2\_THS description**

THS6 - THS0	Interrupt 1 threshold. Default value: 000 0000
-------------	--

## 7.20 INT2\_DURATION (37h)

**Table 53. INT2\_DURATION register**

0	D6	D5	D4	D3	D2	D1	D0
---	----	----	----	----	----	----	----

**Table 54. INT2\_DURATION description**

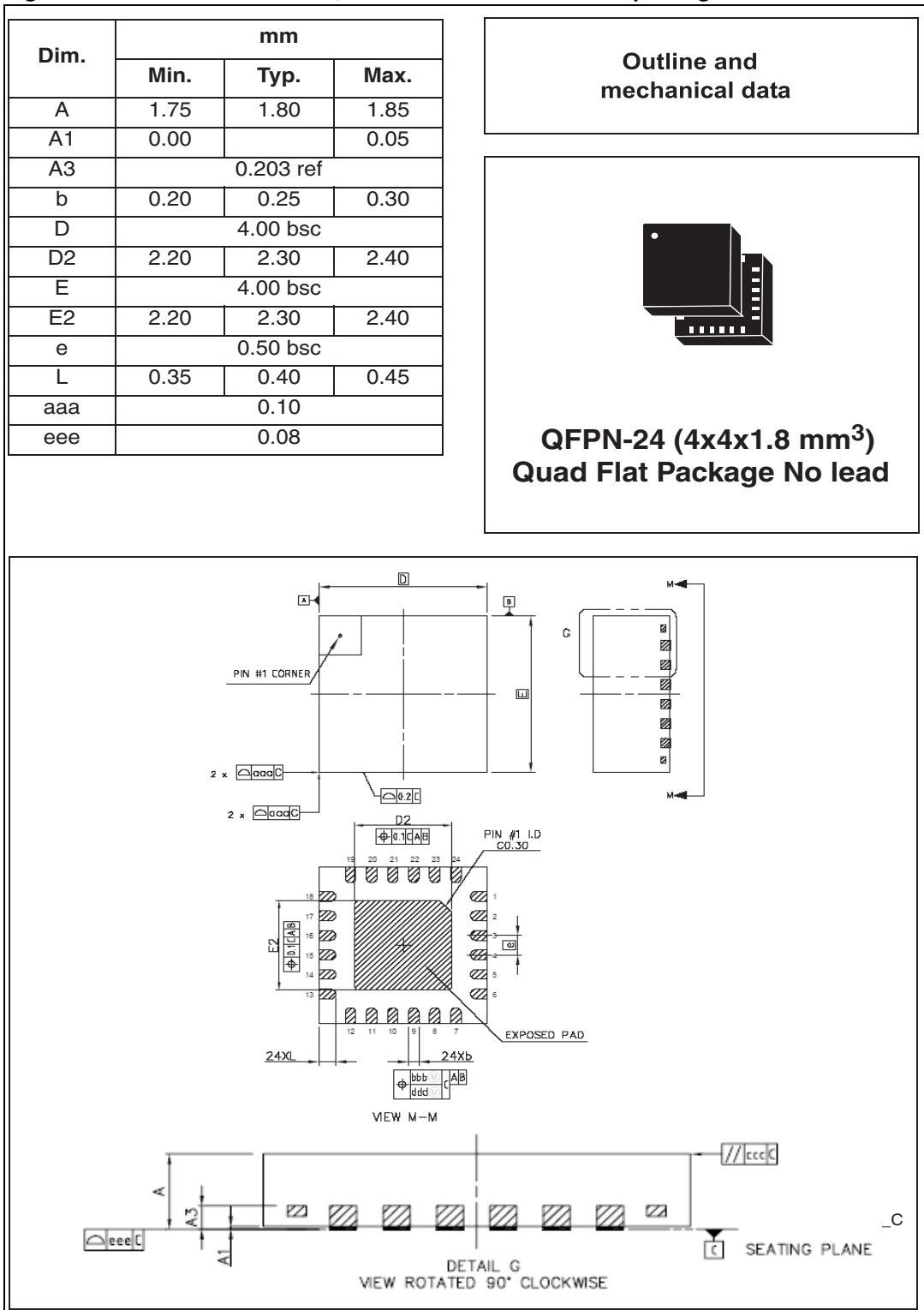
D6 - D0	Duration value. Default value: 000 0000
---------	---

The **D6 - D0** bits set the minimum duration of the interrupt 2 event to be recognized. Duration time steps and maximum values depend on the ODR chosen.

## 8 Package information

In order to meet environmental requirements, ST offers these devices in different grades of ECOPACK® packages, depending on their level of environmental compliance. ECOPACK specifications, grade definitions and product status are available at: [www.st.com](http://www.st.com). ECOPACK is an ST trademark.

Figure 12. QFPN 4x4x1.8mm<sup>3</sup>, 24L: mechanical data and package dimensions



## 9 Soldering information

The QFPN-24 package is compliant with the ECOPACK®, RoHS and “Green” standard. It is qualified for soldering heat resistance according to JEDEC J-STD-020C, in MSL3 conditions.

For complete land pattern and soldering recommendations, please refer to the TN0019 technical note TN0019 available on [www.st.com](http://www.st.com).

### 9.1 General guidelines about soldering surface-mounted accelerometers

As common PCB design and industrial practice when considering accelerometer soldering, there are always 3 elements to take into consideration:

1. PCB with its own conductive layers (i.e. copper) and other organic materials used for board protection and dielectric isolation.
2. ACCELEROMETER to be mounted on the board. The accelerometer senses acceleration, but it senses also the mechanical stress coming from the board. This stress is minimized with simple PCB design rules.
3. SOLDERING PASTE like SnAgCu. This soldering paste can be dispensed on the board with a screen printing method through a stencil. The pattern of the soldering paste on the PCB is given by the stencil mask itself.

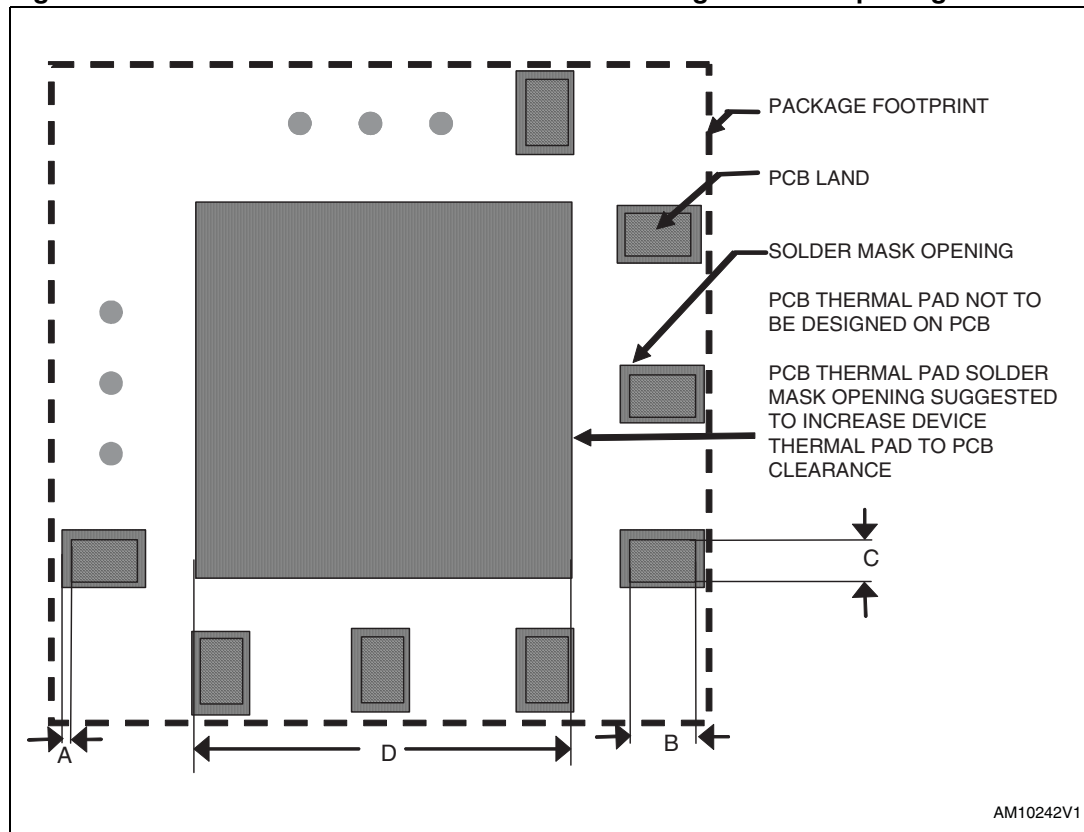
### 9.2 PCB design guidelines

PCB land and solder masking general recommendations are shown in [Figure 13](#). Refer to [Figure 12](#) for specific device size, land count and pitch.

- It is recommended to open solder mask external to PCB land
- It is mandatory, for correct device functionality, to ensure that some clearance is present between the accelerometer thermal pad and PCB. In order to obtain this clearance it is recommended to open the PCB thermal pad solder mask
- The area below the sensor (on the same side of the board) must be defined as keepout area. It is strongly recommended not to place any structure in the top metal layer underneath the sensor
- Traces connected to pads should be as symmetrical as possible. Symmetry and balance for pad connection helps component self alignment and leads to a better control of solder paste reduction after reflow
- For better performances over temperature it is strongly recommended not to place large insertion components like buttons or shielding boxes at distances less than 2 mm from the sensor
- Central die pad and “Pin 1 Indicator” are physically connected to GND. Leave “Pin 1 Indicator” unconnected during soldering.

### 9.2.1 PCB design rules

Figure 13. Recommended land and solder mask design for QFPN packages



**A** = Clearance from PCB land edge to solder mask opening  $\leq 0.1$  mm to ensure that some solder mask remains between PCB pads

**B** = PCB land length = QFPN solder pad length + 0.1 mm

**C** = PCB land width = QFPN solder pad width + 0.1 mm

**D** = PCB thermal pad solder mask opening = QFPN thermal pad side + 0.2 mm

### 9.3 Stencil design and solder paste application

The thickness and the pattern of the soldering paste are important for proper accelerometer mounting process.



- Stainless steel stencils are recommended for solder paste applications
- A stencil thickness of 125 - 150  $\mu\text{m}$  (5 - 6 mils) is recommended for screen printing
- The final thickness of soldering paste should allow proper cleaning of flux residuals and clearance between sensor package and PCB
- Stencil aperture should have a rectangular shape with a dimension up to 25  $\mu\text{m}$  (1mil) smaller than PCB land
- The openings of the stencil for the signal pads should be between 50% and 80% of the PCB pad area
- Optionally, for better solder paste release, the aperture walls should be trapezoidal and the corners rounded
- The fine pitch of the IC leads requires accurate alignment of the stencil to the printed circuit board. The stencil and printed circuit assembly should be aligned to within 25  $\mu\text{m}$  (1 mil) prior to application of the solder paste.

## 9.4 Process considerations

- In the case of using no self-cleaning solder paste, it is mandatory to properly wash the board after soldering to eliminate any possible source of leakage between adjacent pads due to flux residues
- The PCB soldering profile depends on the number, size and placement of components in the application board. It is not functional to define a specific soldering profile for the accelerometer only. The user should use a time and temperature reflow profile that is derived from the PCB design and manufacturing experience.

## 10 Revision history

**Table 55. Document revision history**

Date	Revision	Changes
26-Oct-2010	1	Initial release.
26-Jan-2012	2	Updated <a href="#">Figure 2: Detectable accelerations and pin indicator</a> and <a href="#">Figure 12: QFPN 4x4x1.8mm<sup>3</sup>, 24L: mechanical data and package dimensions</a> . Updated <a href="#">Table 2: Pin description</a> , <a href="#">Table 3: Mechanical characteristics</a> , <a href="#">Table 4: Electrical characteristics</a> and <a href="#">Table 6: I<sup>2</sup>C slave timing values</a> . Added new <a href="#">Section 9: Soldering information</a> . Document promoted from preliminary data to datasheet.
13-Apr-2012	3	Minor text changes in <a href="#">Section 4: Application hints</a> .

**Please Read Carefully:**

Information in this document is provided solely in connection with ST products. STMicroelectronics NV and its subsidiaries ("ST") reserve the right to make changes, corrections, modifications or improvements, to this document, and the products and services described herein at any time, without notice.

All ST products are sold pursuant to ST's terms and conditions of sale.

Purchasers are solely responsible for the choice, selection and use of the ST products and services described herein, and ST assumes no liability whatsoever relating to the choice, selection or use of the ST products and services described herein.

No license, express or implied, by estoppel or otherwise, to any intellectual property rights is granted under this document. If any part of this document refers to any third party products or services it shall not be deemed a license grant by ST for the use of such third party products or services, or any intellectual property contained therein or considered as a warranty covering the use in any manner whatsoever of such third party products or services or any intellectual property contained therein.

**UNLESS OTHERWISE SET FORTH IN ST'S TERMS AND CONDITIONS OF SALE ST DISCLAIMS ANY EXPRESS OR IMPLIED WARRANTY WITH RESPECT TO THE USE AND/OR SALE OF ST PRODUCTS INCLUDING WITHOUT LIMITATION IMPLIED WARRANTIES OF MERCHANTABILITY, FITNESS FOR A PARTICULAR PURPOSE (AND THEIR EQUIVALENTS UNDER THE LAWS OF ANY JURISDICTION), OR INFRINGEMENT OF ANY PATENT, COPYRIGHT OR OTHER INTELLECTUAL PROPERTY RIGHT.**

**UNLESS EXPRESSLY APPROVED IN WRITING BY TWO AUTHORIZED ST REPRESENTATIVES, ST PRODUCTS ARE NOT RECOMMENDED, AUTHORIZED OR WARRANTED FOR USE IN MILITARY, AIR CRAFT, SPACE, LIFE SAVING, OR LIFE SUSTAINING APPLICATIONS, NOR IN PRODUCTS OR SYSTEMS WHERE FAILURE OR MALFUNCTION MAY RESULT IN PERSONAL INJURY, DEATH, OR SEVERE PROPERTY OR ENVIRONMENTAL DAMAGE. ST PRODUCTS WHICH ARE NOT SPECIFIED AS "AUTOMOTIVE GRADE" MAY ONLY BE USED IN AUTOMOTIVE APPLICATIONS AT USER'S OWN RISK.**

Resale of ST products with provisions different from the statements and/or technical features set forth in this document shall immediately void any warranty granted by ST for the ST product or service described herein and shall not create or extend in any manner whatsoever, any liability of ST.

ST and the ST logo are trademarks or registered trademarks of ST in various countries.

Information in this document supersedes and replaces all information previously supplied.

The ST logo is a registered trademark of STMicroelectronics. All other names are the property of their respective owners.

© 2012 STMicroelectronics - All rights reserved

STMicroelectronics group of companies

Australia - Belgium - Brazil - Canada - China - Czech Republic - Finland - France - Germany - Hong Kong - India - Israel - Italy - Japan - Malaysia - Malta - Morocco - Philippines - Singapore - Spain - Sweden - Switzerland - United Kingdom - United States of America

[www.st.com](http://www.st.com)



Компания «Life Electronics» занимается поставками электронных компонентов импортного и отечественного производства от производителей и со складов крупных дистрибьюторов Европы, Америки и Азии.

С конца 2013 года компания активно расширяет линейку поставок компонентов по направлению коаксиальный кабель, кварцевые генераторы и конденсаторы (керамические, пленочные, электролитические), за счёт заключения дистрибьюторских договоров

Мы предлагаем:

- Конкурентоспособные цены и скидки постоянным клиентам.
- Специальные условия для постоянных клиентов.
- Подбор аналогов.
- Поставку компонентов в любых объемах, удовлетворяющих вашим потребностям.
- Приемлемые сроки поставки, возможна ускоренная поставка.
- Доставку товара в любую точку России и стран СНГ.
- Комплексную поставку.
- Работу по проектам и поставку образцов.
- Формирование склада под заказчика.
- Сертификаты соответствия на поставляемую продукцию (по желанию клиента).
- Тестирование поставляемой продукции.
- Поставку компонентов, требующих военную и космическую приемку.
- Входной контроль качества.
- Наличие сертификата ISO.

В составе нашей компании организован Конструкторский отдел, призванный помогать разработчикам, и инженерам.

Конструкторский отдел помогает осуществить:

- Регистрацию проекта у производителя компонентов.
- Техническую поддержку проекта.
- Защиту от снятия компонента с производства.
- Оценку стоимости проекта по компонентам.
- Изготовление тестовой платы монтаж и пусконаладочные работы.



Тел: +7 (812) 336 43 04 (многоканальный)

Email: [org@lifeelectronics.ru](mailto:org@lifeelectronics.ru)