



Is Now Part of



**ON Semiconductor®**

To learn more about ON Semiconductor, please visit our website at  
[www.onsemi.com](http://www.onsemi.com)

Please note: As part of the Fairchild Semiconductor integration, some of the Fairchild orderable part numbers will need to change in order to meet ON Semiconductor's system requirements. Since the ON Semiconductor product management systems do not have the ability to manage part nomenclature that utilizes an underscore (\_), the underscore (\_) in the Fairchild part numbers will be changed to a dash (-). This document may contain device numbers with an underscore (\_). Please check the ON Semiconductor website to verify the updated device numbers. The most current and up-to-date ordering information can be found at [www.onsemi.com](http://www.onsemi.com). Please email any questions regarding the system integration to [Fairchild\\_questions@onsemi.com](mailto:Fairchild_questions@onsemi.com).

ON Semiconductor and the ON Semiconductor logo are trademarks of Semiconductor Components Industries, LLC dba ON Semiconductor or its subsidiaries in the United States and/or other countries. ON Semiconductor owns the rights to a number of patents, trademarks, copyrights, trade secrets, and other intellectual property. A listing of ON Semiconductor's product/patent coverage may be accessed at [www.onsemi.com/site/pdf/Patent-Marking.pdf](http://www.onsemi.com/site/pdf/Patent-Marking.pdf). ON Semiconductor reserves the right to make changes without further notice to any products herein. ON Semiconductor makes no warranty, representation or guarantee regarding the suitability of its products for any particular purpose, nor does ON Semiconductor assume any liability arising out of the application or use of any product or circuit, and specifically disclaims any and all liability, including without limitation special, consequential or incidental damages. Buyer is responsible for its products and applications using ON Semiconductor products, including compliance with all laws, regulations and safety requirements or standards, regardless of any support or applications information provided by ON Semiconductor. "Typical" parameters which may be provided in ON Semiconductor data sheets and/or specifications can and do vary in different applications and actual performance may vary over time. All operating parameters, including "Typicals" must be validated for each customer application by customer's technical experts. ON Semiconductor does not convey any license under its patent rights nor the rights of others. ON Semiconductor products are not designed, intended, or authorized for use as a critical component in life support systems or any FDA Class 3 medical devices or medical devices with a same or similar classification in a foreign jurisdiction or any devices intended for implantation in the human body. Should Buyer purchase or use ON Semiconductor products for any such unintended or unauthorized application, Buyer shall indemnify and hold ON Semiconductor and its officers, employees, subsidiaries, affiliates, and distributors harmless against all claims, costs, damages, and expenses, and reasonable attorney fees arising out of, directly or indirectly, any claim of personal injury or death associated with such unintended or unauthorized use, even if such claim alleges that ON Semiconductor was negligent regarding the design or manufacture of the part. ON Semiconductor is an Equal Opportunity/Affirmative Action Employer. This literature is subject to all applicable copyright laws and is not for resale in any manner.

# FAN6290QF/FAN6290QH

## Compact Secondary-Side Adaptive Charging Controller Synchronous Rectifier Control

FAN6290QF/FAN6290QH are highly integrated, secondary-side power adaptor controllers compatible with the Quick Charge 3.0 (QC3.0) protocol. Internally adopted synchronous rectifier control helps for less BOM counts as well as for easy design.

The internal two operational amplifiers control adaptive constant output voltage and adaptive constant output current. The outputs of the two amplifiers are tied together in open-drain configuration.

FAN6290QF/FAN6290QH enables adaptor output voltage and current adjustment when Quick Charge 3.0 protocol is acknowledged. According to request from a battery charger of a Portable Device, output voltage is adjusted up to 12 V. When a portable device that implements non-compliant protocols is attached, it just maintains the default output, (5 V) for safety of the portable device.

FAN6290QF/FAN6290QH incorporates adaptive output over-voltage and under-voltage protections to improve system reliability.

### Features

- Compatible with Quick Charge 3.0 (QC3.0) Protocol
- Auto-detection supporting 2.4 A Apple products
- Internal Synchronous Rectifier Control Circuit
- Secondary-Side Constant Voltage (CV) and Constant Current (CC) Regulation with Two Operational Amplifiers
- Small Current Sensing Resistor (30 mΩ) for High Efficiency
- Protections for Safe Operation ; Output Over-Voltage-Protection, Output Under-Voltage-Protection for QC2.0, Data line (D+/D-) Over-Voltage-Protection
- Built-in output capacitor bleeding function for fast discharging during change of output mode
- Built-in Cable-Drop Compensation

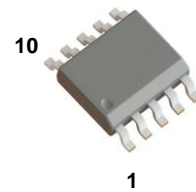
### Typical Applications

- Battery Chargers for Smart Phones, Feature Phones, and Tablet PCs
- AC-DC Adapters for Portable Devices that Require CV/CC Control



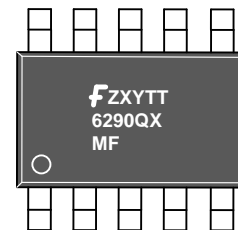
**ON Semiconductor®**

[www.onsemi.com](http://www.onsemi.com)



**SOP-10**

### MARKING DIAGRAM



1<sup>st</sup> Line:

F: Corporate Logo  
Z: Assembly Plant Code  
X: Year Code  
Y: Week Code  
TT: Die Run Code

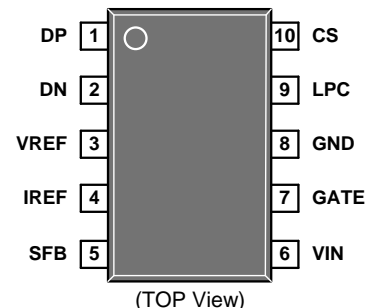
2<sup>nd</sup> Line:

6290Q: IC Part Name  
X: Series Line-up Name

3<sup>rd</sup> Line:

MF

### PIN CONNECTIONS



(TOP View)

### ORDERING INFORMATION

See detailed ordering and shipping information in the package dimensions section on page 17 of this data sheet.

# FAN6290QF/FAN6290QH

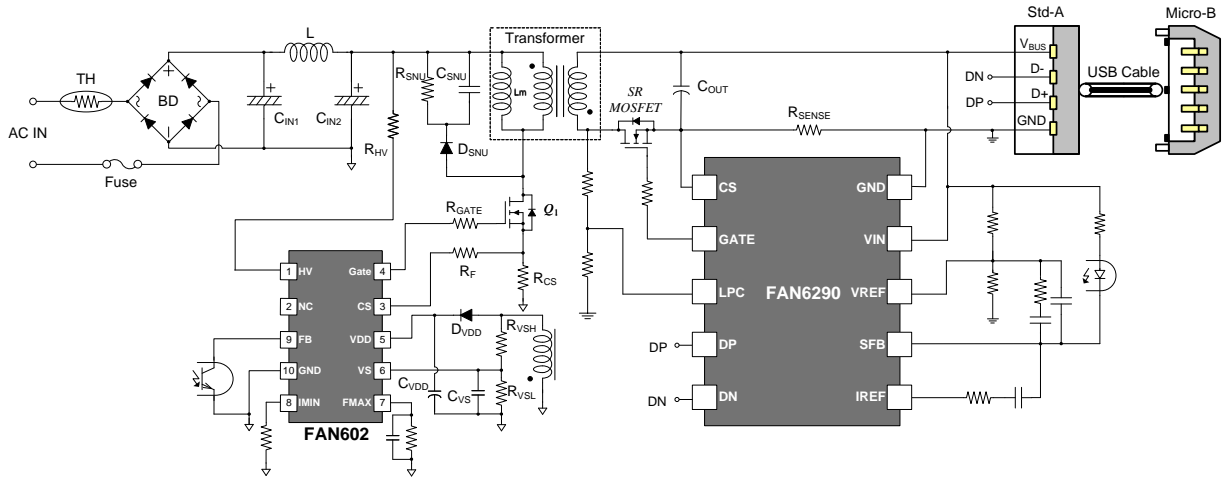


Figure 1 FAN6290QF and FAN6290QH Typical Application Schematic

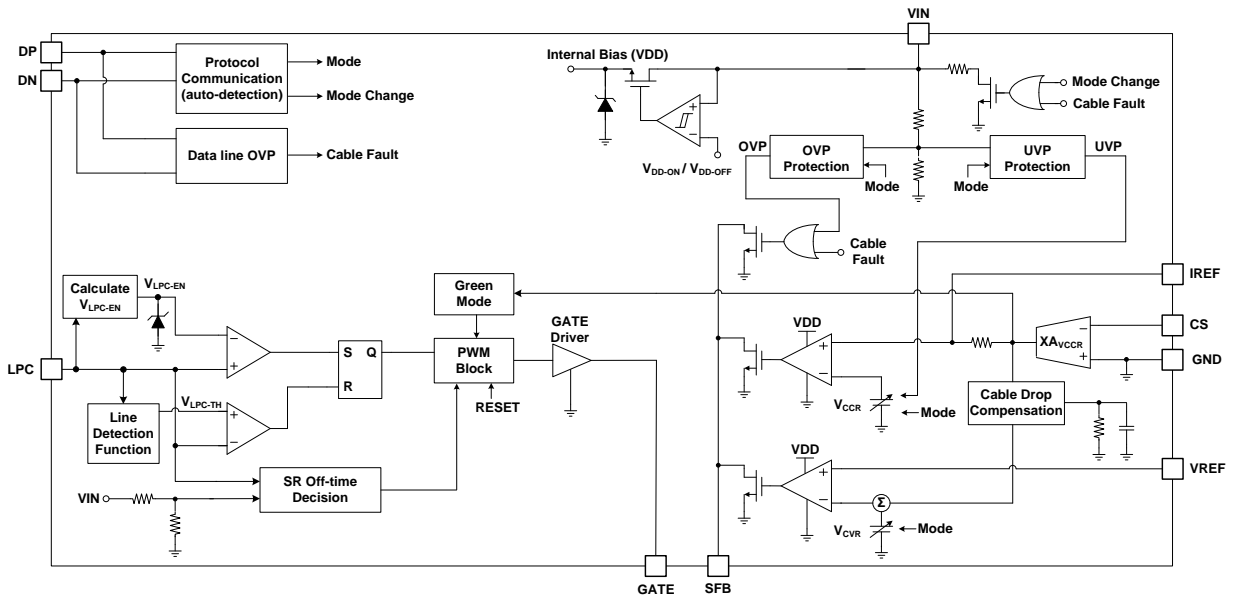


Figure 2. FAN6290QF and FAN6290QH Function Block Diagram

## FAN6290QF/FAN6290QH

### PIN FUNCTION DESCRIPTION

Pin No.	Pin Name	Description
1	DP	Communication Interface Positive Terminal. This pin is tied to the USB D+ data line input.
2	DN	Communication Interface Negative Terminal. This pin is tied to the USB D- data line input.
3	VREF	Output Voltage Sensing Terminal. Non-inverting terminal of the internal CV loop amplifier. This pin is used for constant voltage regulation.
4	IREF	Constant Current Amplifying Signal. The voltage on this pin represents the amplified current sense signal, also used for constant current regulation. It is tied to the internal CC loop amplifier's non-inverting terminal.
5	SFB	Secondary Feedback. Common output of the open-drain operation amplifiers. Typically an opto-coupler is connected to this pin to provide feedback signal to the primary-side PWM controller.
6	VIN	Input Voltage. This pin is tied to the output of the adaptor not only to monitor output voltage but also to supply internal bias. IC operating current, and MOSFET gate-drive current are supplied through this pin.
7	GATE	Gate Drive Output. Totem-pole output to drive an external SR MOSFET.
8	GND	Ground.
9	LPC	SR MOSFET Drain Voltage Detection. This pin detects the voltage on the secondary winding for Synchronous Rectifier control.
10	CS	Current Sensing Amplifier Negative Terminal. Output current is sensed through this terminal for green mode control, cable drop compensation, and constant current control.

### Series Line-up Table

Name	Output Voltage and its Nominal Output Current			UVP Operation
	$V_o = 3.6 \sim 6 \text{ V}$	$V_o = 6.2 \sim 9 \text{ V}$	$V_o = 9.2 \sim 12 \text{ V}$	
FAN6290QF	3.0 A	2.0 A	1.5 A	Pull-down SFB
FAN6290QH	3.0 A	3.0 A	2.0 A	Reduce CC

# FAN6290QF/FAN6290QH

## MAXIMUM RATINGS (Note 1,2,3)

Rating	Symbol	Value	Unit
VIN Pin Input Voltage	$V_{IN}$	20	V
SFB Pin Input Voltage	$V_{SFB}$	20	V
IREF Pin Input Voltage	$V_{IREF}$	-0.3 to 6	V
VREF Pin Input Voltage	$V_{VREF}$	-0.3 to 6	V
CS Pin Input Voltage	$V_{CS}$	-0.3 to 6	V
DP Pin Input Voltage	$V_{DP}$	-0.3 to 14	V
DN Pin Input Voltage	$V_{DN}$	-0.3 to 14	V
LPC Pin Input Voltage	$V_{LPC}$	-0.3 to 6.5	V
GATE Pin Input Voltage	$V_{GATE}$	-0.3 to 6	V
Power Dissipation ( $T_A=25^{\circ}C$ )	$P_D$	0.68	W
Operating Junction Temperature	$T_J$	-40 to 150	$^{\circ}C$
Storage Temperature Range	$T_{STG}$	-40 to 150	$^{\circ}C$
Lead Temperature, (Soldering, 10 Seconds)	$T_L$	260	$^{\circ}C$
Human Body Model, ANSI/ESDA/JEDEC JS-001-2012 (Note 4)	$ESD_{HBM}$	3	kV
Charged Device Model, JESD22-C101 (Note 4)	$ESD_{CDM}$	1.75	kV

- Stresses exceeding those listed in the Maximum Ratings table may damage the device. If any of these limits are exceeded, device functionality should not be assumed, damage may occur and reliability may be affected.
- All voltage values, except differential voltages, are given with respect to the GND pin.
- Stresses beyond those listed under Absolute Maximum Ratings may cause permanent damage to the device.
- Meets JEDEC standards JS-001-2012 and JESD 22-C101.

## THERMAL CHARACTERISTICS (Note 5)

Rating	Symbol	Value	Unit
Thermal Characteristics, Thermal Resistance, Junction-to-Air Thermal Reference, Junction-to-Top	$R_{\theta JA}$ $R_{\theta JT}$	142 21	$^{\circ}C/W$

- $T_A=25^{\circ}C$  unless otherwise specified.

## RECOMMENDED OPERATING RANGES (Note 6)

Rating	Symbol	Min	Max	Unit
VIN Pin Input Voltage	$V_{IN}$	0	16	V
SFB Pin Input Voltage	$V_{SFB}$	0	16	V
IREF Pin Input Voltage	$V_{IREF}$	0	1	V
VREF Pin Input Voltage	$V_{VREF}$	0	3.5	V
CS Pin Input Voltage	$V_{CS}$	-0.1	0	V
DP Pin Input Voltage	$V_{DP}$	0	6	V
DN Pin Input Voltage	$V_{DN}$	0	6	V
LPC Pin Input Voltage	$V_{LPC}$	0	5	V
GATE Pin input Voltage	$V_{GATE}$	0	5.5	V

- Functional operation above the stresses listed in the Recommended Operating Ranges is not implied. Extended exposure to stresses beyond the Recommended Operating Ranges limits may affect device reliability.

# FAN6290QF/FAN6290QH

## ELECTRICAL CHARACTERISTICS

$V_{IN}=5\text{ V}$ ,  $LPC=1.5\text{ V}$ ,  $LPC\text{ width}=2\text{ }\mu\text{s}$  at  $T_J=-40\sim 125\text{ }^\circ\text{C}$ ,  $F_{LPC}=100\text{ kHz}$ , unless otherwise specified.

Parameter	Test Conditions	Symbol	Min	Typ	Max	Unit
-----------	-----------------	--------	-----	-----	-----	------

### VIN Section

Continuous Operating Voltage <sup>(7)</sup>		$V_{IN-OP}$			16	V
Operating Supply Current	$V_{IN}=5\text{ V}$ , $V_{CS}=-60\text{ mV}$	$I_{IN-OP-5V}$		8		mA
Operating Supply Current	$V_{IN}=12\text{ V}$ , $V_{CS}=-60\text{ mV}$	$I_{IN-OP-12V}$		8		mA
5 V Green Mode Operating Supply Current	$V_{IN}=5\text{ V}$ , $V_{CS}=0\text{ mV}$	$I_{IN-Green}$		1.2	1.6	mA

### VIN-UVP Section

Voltage difference between GND and CS for fixed UVP current ( $I_{O-UVP,typ}=217\text{ mA}$ )	Only for FAN6290QH	$V_{CS-UVP}$	3.0	6.5	10.0	mV
$V_{IN}$ Under-Voltage-Protection Enable, 9 V	For QC2.0 9 V Mode	$V_{IN-UVP-L-9V}$	5.00	5.50	6.00	V
$V_{IN}$ Under-Voltage-Protection Enable, 12 V	For QC2.0 12 V Mode	$V_{IN-UVP-L-12V}$	7.50	8.00	8.50	V
$V_{IN}$ Under-Voltage-Protection Disable, 9 V	For QC2.0 9 V Mode	$V_{IN-UVP-H-9V}$	5.50	6.00	6.50	V
$V_{IN}$ Under-Voltage-Protection Disable, 12 V	For QC2.0 12 V Mode	$V_{IN-UVP-H-12V}$	8.00	8.50	9.00	V
CC Mode UVP Debounce Time		$t_{D-VIN-UVP}$	45	60	75	ms

### VIN-OVP Section

Output Over-Voltage Protection through $V_{IN}$ Pin at $V_O=3.6\sim 5\text{ V}$		$V_{IN-OVP-5V}$	5.5	6.0	6.5	V
Output Over-Voltage Protection through $V_{IN}$ Pin at $V_O=5.2\sim 6\text{ V}$		$V_{IN-OVP-6V}$	8.1	8.4	8.7	V
Output Over-Voltage Protection through $V_{IN}$ Pin at $V_O=6.2\sim 9\text{ V}$		$V_{IN-OVP-9V}$	10.3	10.8	11.3	V
Output Over-Voltage Protection through $V_{IN}$ Pin at $V_O=9.2\sim 12\text{ V}$		$V_{IN-OVP-12V}$	13.6	14.4	15.0	V
OVP Debounce Time		$t_{D-OVP}$	22	33	44	$\mu\text{s}$

### Internal Bias Section

Turn-On Threshold Voltage	$V_{IN}$ Increases	$V_{IN-ON}$	2.9	3.2	3.4	V
Turn-Off Threshold Voltage	$V_{IN}$ Decreases after $V_{IN}=V_{IN-ON}$	$V_{IN-OFF}$	2.8	2.9	3.0	V
Hysteresis of Turn-Off Threshold Voltage	$V_{IN}$ Decreases after $V_{IN}=V_{IN-ON}$	$V_{IN-OFF-HYS}$		0.3		V
Turn-On Debounce Time		$t_{VIN-on-debounce}$			50	$\mu\text{s}$
Turn-Off Debounce Time		$t_{VIN-off-debounce}$			200	$\mu\text{s}$
Output Voltage Releasing Latch Mode <sup>(8)</sup>		$V_{LATCH-OFF}$	1.5	2.0	2.5	V

### Constant Current Sensing Section

Current-Sense Amplifier Gain <sup>(7)</sup>	$V_{IN}=5\text{ V}$ , $V_{CS}=-60\text{ mV}$	$A_{V-CCR}$		10		V/V
Voltage difference between GND and CS at $I_{O-NOMINAL}=3.0\text{ A}$ of FAN6290QF <sup>(8)</sup>	$I_O=3.0\sim 3.4\text{ A}$ , $I_{OTYP}=3.2\text{ A}$ (3 mV Offset)	$V_{CS-3.0A-QF}$	90.0	93.0	96.0	mV
Voltage difference between GND and CS at $I_{O-NOMINAL}=2.0\text{ A}$ of FAN6290QF <sup>(8)</sup>	$I_O=2.0\sim 2.3\text{ A}$ , $I_{OTYP}=2.15\text{ A}$ (3 mV Offset)	$V_{CS-2.0A-QF}$	59.5	62.0	64.5	mV
Voltage difference between GND and CS at $I_{O-NOMINAL}=1.5\text{ A}$ of FAN6290QF <sup>(8)</sup>	$I_O=1.5\sim 1.8\text{ A}$ , $I_{OTYP}=1.65\text{ A}$ (3 mV Offset)	$V_{CS-1.5A-QF}$	43.5	46.0	48.5	mV
Voltage difference between GND and CS at $I_{O-NOMINAL}=3.0\text{ A}$ of FAN6290QH <sup>(8)</sup>	$I_O=3.0\sim 3.4\text{ A}$ , $I_{OTYP}=3.2\text{ A}$ (3 mV Offset)	$V_{CS-3.0A-QH}$	90.0	93.0	96.0	mV
Voltage difference between GND and CS at $I_{O-NOMINAL}=2.0\text{ A}$ of FAN6290QH <sup>(8)</sup>	$I_O=2.0\sim 2.4\text{ A}$ , $I_{OTYP}=2.2\text{ A}$ (3 mV Offset)	$V_{CS-2.0A-QH}$	62.5	65.0	67.5	mV
Current-Sensing Input Impedance <sup>(8)</sup>		$Z_{CS}$	4			M $\Omega$
Voltage difference between GND and CS for Green Mode	$R_{CS}=30\text{ m}\Omega$	$V_{CS-Green}$	2	5	8	mV

# FAN6290QF/FAN6290QH

## ELECTRICAL CHARACTERISTICS (CONTINUED)

$V_{IN}=5\text{ V}$ ,  $LPC=1.5\text{ V}$ ,  $LPC\text{ width}=2\text{ }\mu\text{s}$  at  $T_J=-40\sim 125\text{ }^\circ\text{C}$ ,  $F_{LPC}=100\text{ kHz}$ , unless otherwise specified.

Parameter	Test Conditions	Symbol	Min	Typ	Max	Unit
-----------	-----------------	--------	-----	-----	-----	------

### Constant Current Sensing Section (continued)

Voltage difference between GND and CS for Green Mode	Only for under 4.8 V Mode of QC3.0, $R_{CS}=30\text{ m}\Omega$	$V_{CS\text{-Green-LowQC3.0}}$	34	39	44	mV
Green Mode Enable Debounce Time	After $V_{CS}<V_{CS\text{-Green}}$	$T_{\text{Green-EN-Debounce}}$			100	$\mu\text{s}$
Green Mode Disable Debounce Time	After $V_{CS}>V_{CS\text{-Green}}$	$T_{\text{Green-DIS-Debounce}}$	8	12	16	ms

### Constant Voltage Sensing Section

Reference Voltage at 5 V	$V_{IN}=5\text{ V}$ , $V_{CS}=0\text{ V}$ , $V_{DP}=0.6\text{ V}$ , $V_{DN}=0\text{ V}$	$V_{CVR-5V}$	0.98	1.00	1.02	V
Reference Voltage at 9 V	$V_{IN}=9\text{ V}$ , $V_{CS}=0\text{ V}$ , $V_{DP}=0.6\text{ V}$ , $V_{DN}=0\text{ V}$	$V_{CVR-9V}$	1.76	1.80	1.84	V
Reference Voltage at 12 V	$V_{IN}=12\text{ V}$ , $V_{CS}=0\text{ V}$ , $V_{DP}=0.6\text{ V}$ , $V_{DN}=0\text{ V}$	$V_{CVR-12V}$	2.335	2.400	2.465	V
Reference Voltage of Increment Step via continuous mode of QC3.0 protocol	$V_{IN}=12\text{ V}$ , $V_{CS}=0\text{ V}$ , $V_{DP}=0.6\text{ V}$ , $V_{DN}=3.3\text{ V}$	$V_{CVR-STEP-INC}$	35	40	45	mV
Reference Voltage of Decrement Step via Continuous Mode of QC3.0 Protocol	$V_{IN}=12\text{ V}$ , $V_{CS}=0\text{ V}$ , $V_{DP}=0.6\text{ V}$ , $V_{DN}=3.3\text{ V}$	$V_{CVR-STEP-DEC}$	35	40	45	mV
Reference Voltage Soft-drop Time <sup>(7)</sup>	During Mode change from $V_{IN}$ to Low $V_{IN}$	$t_{CVR\text{-Soft-drop}}$		40		ms

### Cable Drop Compensation Section

Cable Compensation Voltage <sup>(8)</sup>	$V_{CS}=-60\text{ mV}$	$V_{COMR-CDC}$	64.5	68.0	71.5	mV
OVP Cable Compensation Voltage <sup>(8)</sup>	$V_{CS}=-60\text{ mV}$	$V_{COMR-OVP}$	360	510	660	mV

### Constant Current Amplifier Section

Disable Constant Current Amplifier Time during Startup	After $V_{IN}>V_{IN\text{-ON}}$	$t_{\text{Start-Dis-CC}}$	1.3	2.5	6.0	ms
Internal Amplifier Transconductance <sup>(7)</sup>		$G_{m\text{CC}}$		3.5		$\text{ }\Omega$
Internal Amplifier Dominant Pole <sup>(7)</sup>		$f_{P\text{-CC}}$		10		kHz
Internal CC Amplifier Input Resistor		$R_{\text{CC-IN}}$	8.50	13.75	19.00	k $\Omega$

### Constant Voltage Amplifier Section

Internal Amplifier Dominant Pole <sup>(7)</sup>		$f_{P\text{-CV}}$		10		kHz
CV Bias Current <sup>(7)</sup>		$I_{\text{Bias-CV}}$			30	nA

### Bleeder Section

Voltage difference between GND and CS to enable Bleeding ( $I_{O\text{-EN-BLD,typ}}=0.42\text{ A}$ ) <sup>(7)</sup>	Decreasing $V_{CS}$ , $R_{CS}=30\text{ m}\Omega$	$V_{CS\text{-EN-BLD}}$	8	12	16	mV
Debounce time to decide enable Bleeding <sup>(7)</sup>	Decreasing $V_{CS}$ , $R_{CS}=30\text{ m}\Omega$	$t_{CS\text{-EN-BLD}}$		0.6	1.0	ms
VIN Pin Sink Current through when Bleeding <sup>(7)</sup>	$V_{IN}=9\text{ V}$	$I_{VIN\text{-Sink}}$	200			mA
VIN Pin Internal MOSFET Parasitical Resistor <sup>(7)</sup>		$R_{DS\text{-on\_BLD}}$			40	$\Omega$
Maximum Discharging Time when Bleeding <sup>(7)</sup>	Disabling OVP & SR Gate	$t_{\text{BLD-MAX}}$	275	320	365	ms

### Feedback Section

Feedback Pin Maximum Sink Current		$I_{\text{SFB-Sink-MAX}}$	2			mA
-----------------------------------	--	---------------------------	---	--	--	----

# FAN6290QF/FAN6290QH

## ELECTRICAL CHARACTERISTICS (CONTINUED)

$V_{IN}=5\text{ V}$ ,  $LPC=1.5\text{ V}$ ,  $LPC\text{ width}=2\text{ }\mu\text{s}$  at  $T_J=-40\sim 125\text{ }^\circ\text{C}$ ,  $F_{LPC}=100\text{ kHz}$ , unless otherwise specified.

Parameter	Test Conditions	Symbol	Min	Typ	Max	Unit
-----------	-----------------	--------	-----	-----	-----	------

### Protocol Section\_Quick Charge 2.0 Interface

DP Low Threshold Voltage		$V_{DPL}$	0.24	0.25	0.28	V
DP High Threshold Voltage		$V_{DPH}$	1.95	2.05	2.15	V
DN Low Threshold Voltage		$V_{DNL}$	0.30	0.35	0.40	V
DN High Threshold Voltage		$V_{DNH}$	1.95	2.05	2.15	V
DP and DN High Debounce Time		$t_{BC1.2}$	1.0	1.2	1.4	s
DP Disconnect Debounce Time		$t_{DISCONNECT}$	5	10	15	ms
DN Low Debounce Time, $V_{DN} < V_{DNL}$		$t_{TOGGLE}$			1.0	ms
Mode-Change Debounce Time		$t_{V\_CHANGE}$	20	40	60	ms
Blanking Time after Mode Change		$t_{V\_REQUEST}$	60		100	ms
DP Pull Low Resistance		$R_{DP}$	300	1120	1500	k $\Omega$
DN Pull Low Resistance		$R_{DN}$	14.25	19.53	24.80	k $\Omega$

### Protocol Section\_Quick Charge 3.0 Interface

Mode-Change Debounce Time	$V_{DP}=0.6\text{ V}$ , $V_{DN}=3.3\text{ V}$	$t_{V\_CHANGE}$	20	40	60	ms
Mode-Change Debounce Time for Continuous Mode	For $T_{ACTIVE}$ and $T_{INACTIVE}$	$t_{CONT\_CHANGE}$	100	150	200	$\mu\text{s}$
VIN Voltage Range for Continuous Mode <sup>(7)</sup>		$V_{IN\_CONT\_RANGE}$	3.6		12	V

**Table 1. Quick Charge 3.0 & 2.0 Output Modes**

Mode	$V_{DP}$ (Typ.)	$V_{DN}$ (Typ.)	$V_{OUT}$
Mode 1	0.6 V	0 V	5 V
Mode 2	3.3 V	0.6 V	9 V
Mode 3	0.6 V	0.6 V	12 V
Mode 4	0.6 V	3.3 V	Continuous Mode
Mode 5	3.3 V	3.3 V	Reserved



# FAN6290QF/FAN6290QH

## ELECTRICAL CHARACTERISTICS (CONTINUED)

V<sub>IN</sub>=5 V, LPC=1.5 V, LPC width=2 μs at T<sub>J</sub>= -40~125 °C, F<sub>LPC</sub>=100 kHz, unless otherwise specified.

Parameter	Test Conditions	Symbol	Min	Typ	Max	Unit
<b>Protocol Section_Auto Detection</b>						
Default DP Voltage when floating	2.75 V Supply Mode	V <sub>DP_2.75V</sub>	2.65	2.75	2.85	V
Default DN Voltage when floating	2.75 V Supply Mode	V <sub>DN_2.75V</sub>	2.65	2.75	2.85	V
DP Pin Output Impedance in Default Mode	2.75 V Supply Mode	R <sub>DP_2.75V</sub>	23	28	33	kΩ
DN Pin Output Impedance in Default Mode	2.75 V Supply Mode	R <sub>DN_2.75V</sub>	23	28	33	kΩ
Increment of VDP for exiting 2.75 V Supply Mode	Increment from V <sub>DP_2.75V</sub>	V <sub>DP_INC</sub>	115	170	225	mV
Debounce time for exiting 2.75 V Supply Mode		t <sub>EXIT_MODE1</sub>	3	4	5	ms
Delay time to recover to 2.75 V Supply Mode	V <sub>DP</sub> < V <sub>DPL</sub> in BC1.2 Mode	t <sub>REC_MODE1</sub>	3	4	5	sec

### Output Driver Section

Output Voltage Low	V <sub>IN</sub> =5 V, I <sub>GATE</sub> =100 mA	V <sub>OL</sub>		0.16	0.25	V
Output Voltage High	V <sub>IN</sub> =5 V	V <sub>OH</sub>	4.5			V
Rising Time <sup>(7)</sup>	V <sub>IN</sub> =5 V, C <sub>L</sub> =3300 pF, GATE=1 V ~ 4 V	t <sub>R</sub>		20	35	ns
Falling Time <sup>(7)</sup>	V <sub>IN</sub> =5 V, C <sub>L</sub> =3300 pF, GATE=4 V ~ 1 V	t <sub>F</sub>		9		ns
Propagation Delay to OUT High (LPC Trigger)	V <sub>IN</sub> =5 V, GATE=1 V	t <sub>PD-HIGH-LPC</sub>		44	80	ns
Propagation Delay to OUT Low (LPC Trigger) <sup>(7)</sup>	V <sub>IN</sub> =5 V, GATE=4 V	t <sub>PD-LOW-LPC</sub>		30		ns
Gate Inhibit Time <sup>(7)</sup>		t <sub>INHIBIT</sub>		1.4		μs

### Internal RES Section

Internal RES Ratio <sup>(7)</sup>	V <sub>IN</sub> =5~12 V	K <sub>RES</sub>		0.150		V/V
VIN Dropping Protection Ratio with Two Cycle	LPC Width=5 μs, V <sub>IN</sub> =5 V to 3.5 V	K <sub>VIN-DROP</sub>	70		90	%
Debounce Time for Disable SR when VIN Dropping Protection		t <sub>SR_OFF</sub>	3.8	5.5	7.2	ms

### LPC Section

Linear Operation Range of LPC Pin Voltage <sup>(7)</sup>	V <sub>IN-OFF</sub> < V <sub>IN</sub> ≤ 5 V	V <sub>LPC</sub>	0.5		V <sub>IN</sub> -1	V
LPC Sink Current	V <sub>LPC</sub> =1 V	I <sub>LPC-SINK</sub>		100		nA
SR Enabled Threshold Voltage @High-Line		V <sub>LPC-HIGH-H</sub>			1.58	V
Threshold Voltage on LPC Rising Edge @High-Line <sup>(7)</sup>	V <sub>LPC-HIGH-H</sub> *0.875=V <sub>LPC-TH-H</sub>	V <sub>LPC-TH-H</sub>		1.31		V
SR Enabled Threshold Voltage @ Low-Line	V <sub>LPC-HIGH-L-5.5V</sub> =V <sub>LPC-TH-L-5.5V</sub> / 0.875	V <sub>LPC-HIGH-L-5.5V</sub>			0.86	V
Threshold Voltage on LPC Rising Edge @ Low-Line <sup>(7)</sup>	Spec.=0.45+0.05*V <sub>IN</sub> , V <sub>IN</sub> =5.5 V	V <sub>LPC-TH-L-5.5V</sub>		0.725		V
SR Enabled Threshold Voltage @ Low-Line	V <sub>LPC-HIGH-L-9V</sub> =V <sub>LPC-TH-L-9V</sub> / 0.875	V <sub>LPC-HIGH-L-9V</sub>			1.06	V
Threshold Voltage on LPC Rising Edge @ Low-Line <sup>(7)</sup>	Spec.=0.45+0.05*V <sub>IN</sub> , V <sub>IN</sub> =9 V	V <sub>LPC-TH-L-9V</sub>		0.90		V
SR Enabled Threshold Voltage @ Low-Line	V <sub>LPC-HIGH-L-12V</sub> =V <sub>LPC-TH-L-12V</sub> / 0.875	V <sub>LPC-HIGH-L-12V</sub>			1.23	V
Threshold Voltage on LPC Rising Edge @ Low-Line <sup>(7)</sup>	Spec.=0.45+0.05*V <sub>IN</sub> , V <sub>IN</sub> =12 V	V <sub>LPC-TH-L-12V</sub>		1.05		V
Falling Edge Threshold Voltage to Trigger SR <sup>(7)</sup>		V <sub>LPC-TH-TRIG</sub>		70		mV
Low-to-High Line Threshold Voltage on LPC Pin	V <sub>IN</sub> =5.5 V	V <sub>LINE-H-5.5V</sub>	1.84	1.93	2.02	V

# FAN6290QF/FAN6290QH

## ELECTRICAL CHARACTERISTICS (CONTINUED)

$V_{IN}=5\text{ V}$ ,  $LPC=1.5\text{ V}$ ,  $LPC\text{ width}=2\text{ }\mu\text{s}$  at  $T_J=-40\sim 125\text{ }^\circ\text{C}$ ,  $F_{LPC}=100\text{ kHz}$ , unless otherwise specified.

Parameter	Test Conditions	Symbol	Min	Typ	Max	Unit
<b>LPC Section (continued)</b>						
High-to-Low Line Threshold Voltage on LPC Pin	$V_{IN}=5.5\text{ V}$	$V_{LINE-L-5.5V}$	1.75	1.83	1.91	V
Line Change Threshold Hysteresis	$V_{LINE-HYS-5.5V}=V_{LINE-H-5.5V} - V_{LINE-L-5.5V}$	$V_{LINE-HYS-5.5V}$		0.1		V
Low-to-High Line Threshold Voltage on LPC Pin	$V_{IN}=9\text{ V}$	$V_{LINE-H-9V}$	2.05	2.14	2.23	V
High-to-Low Line Threshold Voltage on LPC Pin	$V_{IN}=9\text{ V}$	$V_{LINE-L-9V}$	1.96	2.04	2.12	V
Line Change Threshold Hysteresis	$V_{LINE-HYS-9V}=V_{LINE-H-9V} - V_{LINE-L-9V}$	$V_{LINE-HYS-9V}$		0.1		V
Low -to-High Line Threshold Voltage on LPC Pin	$V_{IN}=12\text{ V}$	$V_{LINE-H-12V}$	2.23	2.32	2.41	V
High-to-Low Line Threshold Voltage on LPC Pin	$V_{IN}=12\text{ V}$	$V_{LINE-L-12V}$	2.14	2.22	2.30	V
Line Change Threshold Hysteresis	$V_{LINE-HYS-12V}=V_{LINE-H-12V} - V_{LINE-L-12V}$	$V_{LINE-HYS-12V}$		0.1		V
Higher Clamp Voltage		$V_{LPC-CLAMP-H}$	5.4	6.2	7.0	V
LPC Threshold Voltage to Disable SR Gate Switching	$V_{IN}=5\text{ V}$ , $LPC=3\text{ V}\uparrow$	$V_{LPC-DIS}$	$V_{IN} - 0.6$			V
Enable $V_{LPC-DIS}$	Increasing $V_{IN}$	$V_{EN-LPC-DIS}$	4.30	4.45	4.60	V
Disable $V_{LPC-DIS}$	Decreasing $V_{IN}$	$V_{DIS-LPC-DIS}$	4.10	4.25	4.40	V
Line Change Debounce from Low-Line to High-Line		$t_{LPC-LH-debounce}$	15	23	31	ms
Line Change Debounce from High-Line to Low-Line <sup>(7)</sup>		$t_{LPC-HL-debounce}$		15		$\mu\text{s}$

### Internal Timing Section

Ratio between $V_{LPC}$ & $V_{RES}$	$V_{IN}=5.5\text{ V}$ , $F_{LPC}=50\text{ kHz}$ , $K_{RES}=0.15$	$Ratio_{LPC-RES}$	3.88	4.09	4.30	
Minimum LPC Time to Enable the SR Gate @ High-Line	$V_{LPC}=3\text{ V}$	$t_{LPC-EN-H}$	150	250	350	ns
Minimum LPC Time to Enable the SR Gate @ Low-Line	$V_{LPC}=1.5\text{ V}$	$t_{LPC-EN-L}$	520	620	720	ns
Minimum Gate Width <sup>(7)</sup>		$t_{MIN}$	0.35	0.50	0.65	$\mu\text{s}$
Minimum Gate Limit On-time		$t_{gate-limit-min}$	0.6	1.0	1.4	$\mu\text{s}$
$t_{on-SR}(n+1) - t_{on-SR}(n) < t_{gate-limit}$		$t_{gate-limit}$		500		ns
Limitation between LPC Rising Edge to next LPC Rising Edge Max. Period		$t_{MAX-PERIOD}$	28	40	52	$\mu\text{s}$
Forced internal CT Reset Time <sup>(7)</sup>		$t_{CT-RESET}$		10		ns

### Reverse Current Mode Section

Reverse Current Mode Entry Debounce Time	$V_{IN}=5\text{ V}$ , $V_{LPC}=0\text{ V}$	$T_{reverse-debounce}$	350	500	650	ms
Operating Current during Reverse Current Mode	$V_{IN}=5\text{ V}$ , $V_{LPC}=0\text{ V}$	$I_{OP,reverse}$			1.7	mA

### Data Line Over-Voltage Protection

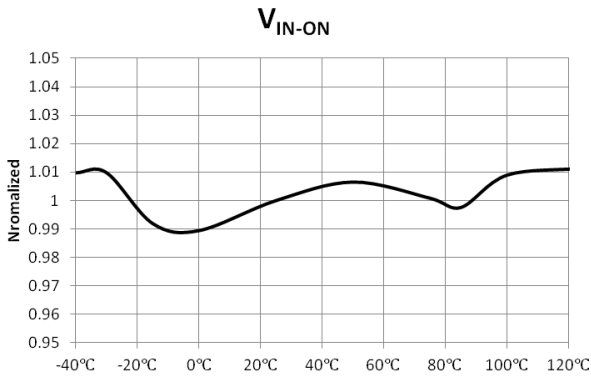
DP Pin Over-Voltage Protection	Excepting 2.75 V Supply Mode	$V_{DP-OVP}$	4.10	4.35	4.60	V
DN Pin Over-Voltage Protection	Excepting 2.75 V Supply Mode	$V_{DN-OVP}$	4.10	4.35	4.60	V
DP/DN Pin OVP Debounce Time	$V_{DN} > V_{DN-SD}$	$t_{DN-DP-OVP-Debounce}$	1.5	3.0	4.5	ms

7. Guaranteed by Design.

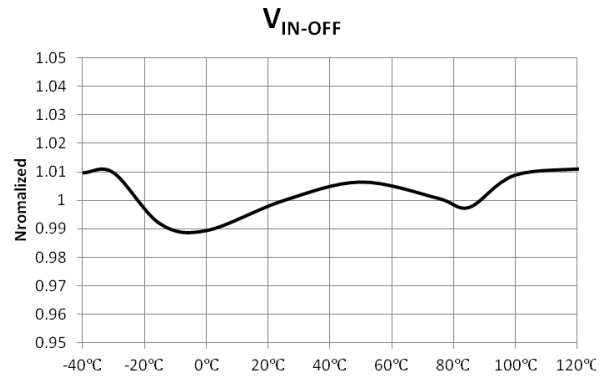
8. Guaranteed at  $-5^\circ \sim 85^\circ\text{C}$ .

# FAN6290QF/FAN6290QH

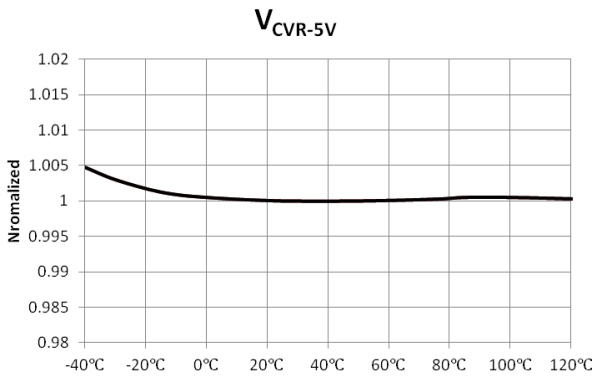
## TYPICAL CHARACTERISTICS



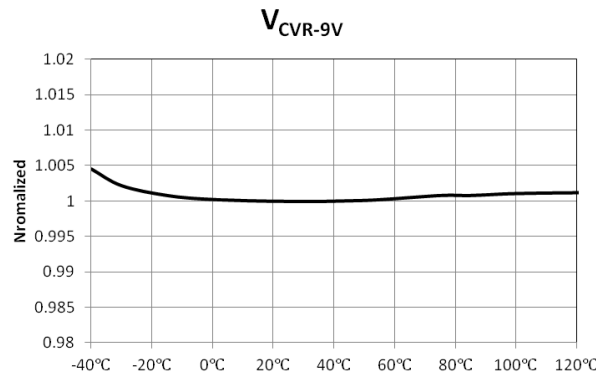
**Figure 3 Turn-On Threshold Voltage (V<sub>IN-ON</sub>) vs. Temperature**



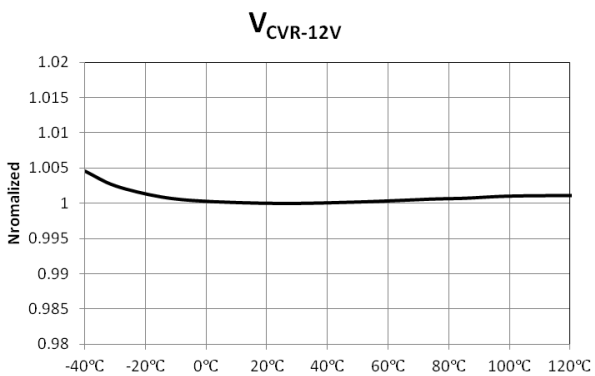
**Figure 4 Turn-Off Threshold Voltage (V<sub>IN-OFF</sub>) vs. Temperature**



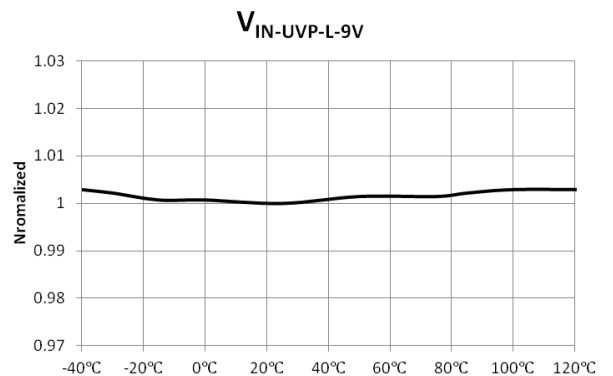
**Figure 5 Reference Voltage at 5 V (V<sub>CVR-5V</sub>) vs. Temperature**



**Figure 6 Reference Voltage at 9 V (V<sub>CVR-9V</sub>) vs. Temperature**



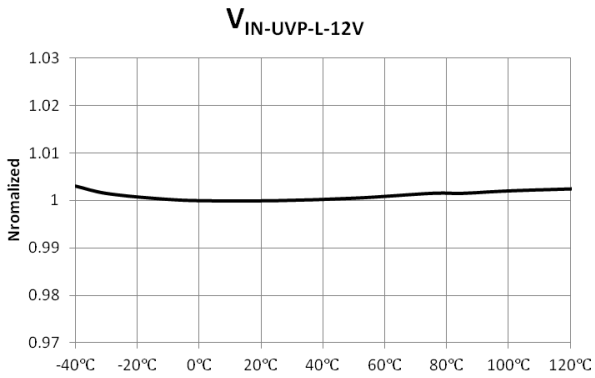
**Figure 7 Reference Voltage at 12 V (V<sub>CVR-12V</sub>) vs. Temperature**



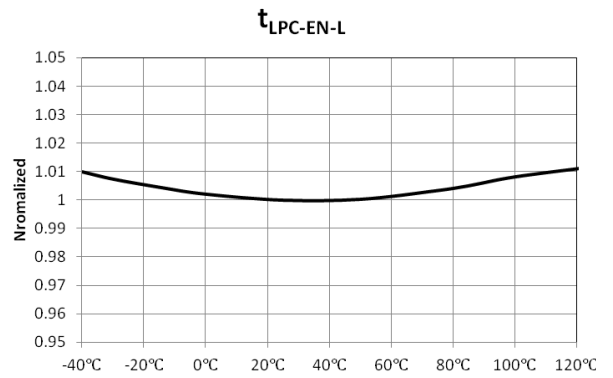
**Figure 8 VIN Under-Voltage-Protection Enable, 9 V (V<sub>IN-UVP-L-9V</sub>) vs. Temperature**

# FAN6290QF/FAN6290QH

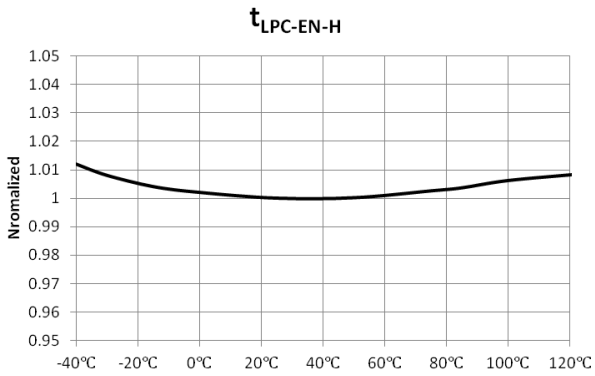
## TYPICAL CHARACTERISTICS



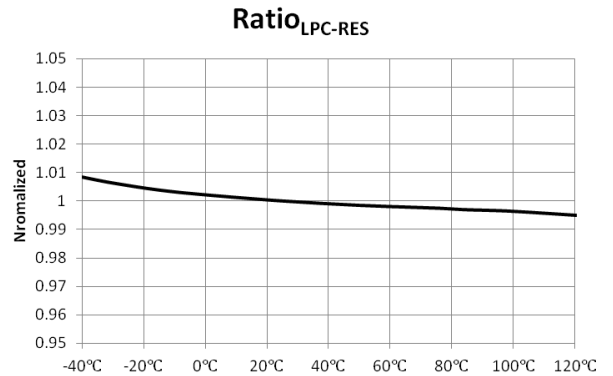
**Figure 9  $V_{IN}$  Under-Voltage-Protection Enable, 12 V ( $V_{IN-UVLP-L-12V}$ ) vs. Temperature**



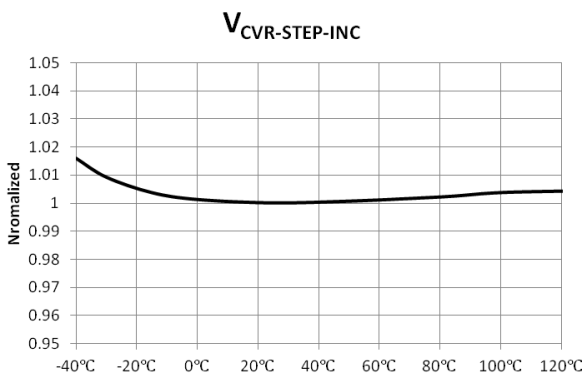
**Figure 10 Minimum LPC Time to Enable the SR Gate @ Low-Line ( $t_{LPC-EN-L}$ ) vs. Temperature**



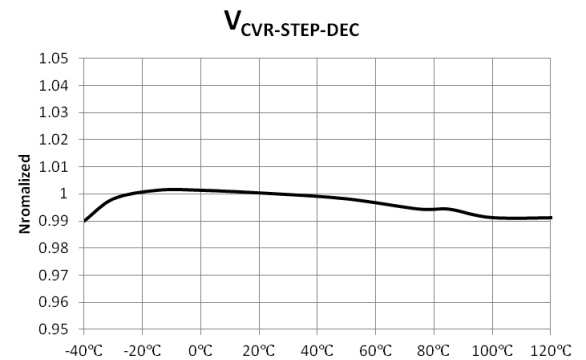
**Figure 11 Minimum LPC Time to Enable the SR Gate @ High-Line ( $t_{LPC-EN-H}$ ) vs. Temperature**



**Figure 12 Ratio between  $V_{LPC}$  &  $V_{RES}$  ( $Ratio_{LPC-RES}$ ) vs. Temperature**



**Figure 13 Reference Voltage of Increment Step via Continuous Mode of QC3.0 Protocol ( $V_{CVR-STEP-INC}$ ) vs. Temperature**



**Figure 14 Reference Voltage of Decrement Step via Continuous Mode of QC3.0 Protocol ( $V_{CVR-STEP-DEC}$ ) vs. Temperature**

# FAN6290QF/FAN6290QH

## APPLICATIONS INFORMATION

**Table 2. Device Line-up Table**

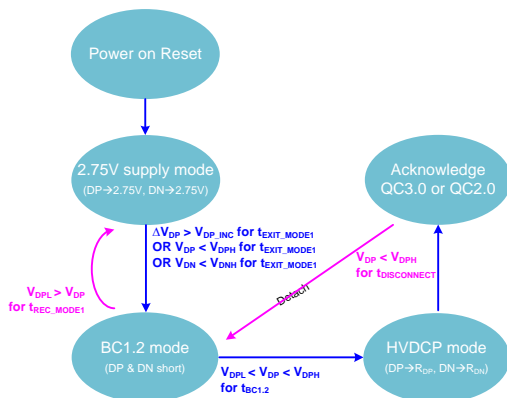
Series Name	Output Voltage and its Nominal Output Load			UVP Operation
	3.6~6.0 V	6.2~9.0 V	9.2~12.0 V	
FAN6290QF	3.0 A	2.0 A	1.5 A	Pull-down SFB
FAN6290QH	3.0 A	3.0 A	2.0 A	Reduce CC

FAN6290QF and FAN6290QH implement different operation methods when the UVP is triggered. FAN6290QH reduces constant current level after triggering UVP. When a foldback level is performed on the system, resistive load is normally used. Since this reduced constant current is lower than the resistive load in the UVP, the output voltage is collapsed and foldback can be achieved. FAN6290QF pulls-down the SFB pin after UVP is triggered. And then, it enters Latch Mode Operation (Refer to Figure 22 and Figure 23). According to Latch Mode Operation, the output voltage is collapsed and foldback can be achieved.

### Protocols (Auto-detection)

#### 2.75 V Supply Mode

Some Apple products charge higher current when a dedicated charging port sources specific voltage on D+ and D- lines. FAN6290Q supports 2.75 V on D+ and D- lines, respectively. Apple products regard it as the attached charging port supports 2.4A, and it charges with maximum 2.4 A. Once FAN6290Q is enabled, D+ and D- supplies 2.75 V as default. Fairchild intelligent auto-detection acknowledges BC1.2. As soon as BC1.2 gets started, FAN6290Q leaves 2.75 V supply mode immediately. After acknowledging QC3.0 or QC2.0, FAN6290Q does not return 2.75 V supply mode as long as a portable device is not detached.



**Figure 15 Sequence of Auto-detection**

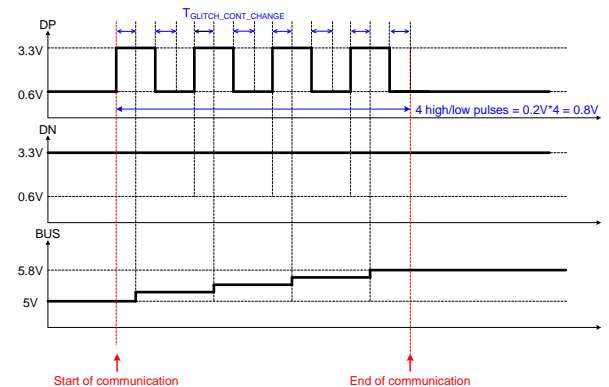
#### Quick Charge 3.0 (QC3.0) and Quick Charge 2.0 (QC2.0) Protocols

As described on Table 3, FAN6290Q supports up to 12 V (Class A) through QC3.0 protocol.

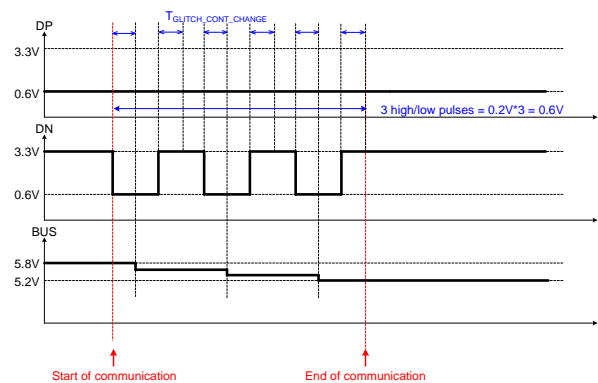
**Table 3. Output Mode of FAN6290Q according to Quick Charge 3.0**

V <sub>DP</sub>	V <sub>DN</sub>	HVDCP Output Mode
0.6 V	0 V	5 V Mode (Backward compatible with QC2.0)
3.3 V	0.6 V	9 V Mode (Backward compatible with QC2.0)
0.6 V	0.6 V	12 V Mode (Backward compatible with QC2.0)
0.6 V	3.3 V	Continuous Mode
3.3 V	3.3 V	Reserve (Keep previous status)

Within continuous mode, output-voltage can be increased or decreased with 200 mV step per an increment or decrement protocol, respectively. (Refer to Figure 16 and Figure 17 which are examples of increment and decrement). FAN6290Q can enter continuous mode from any of 5 V, 9 V and 12 V modes. However, it can return to 5 V mode from continuous mode.



**Figure 16 Example of Increment Timing Diagram (800 mV Increment from 5 V)**



**Figure 17 Example of Decrement Timing Diagram (600 mV Decrement from 5.8 V)**

**Communication Function Description**

**Constant Voltage Control**

The internal constant voltage control block regulates adaptive output voltages. Output voltage is sensed through an external resistor divider. The sensed output voltage is connected to the VREF which is the non-inverting input terminal of the internal operational amplifier. The inverting input terminal is connected to the internal voltage reference (V<sub>CVR</sub>) which can be adjusted according to the requested output voltage via Quick Charge 3.0 protocol. The amplifier and an internal switch operate as a shunt regulator. The output of the shunt regulator is connected to the external opto-coupler, and this pin is named as Secondary Feedback (SFB). To compensate output voltage regulation being stable, one capacitor and one resistor are connected typically between the SFB and VREF pins as shown in Figure 18. The output voltage can be derived as shown in equation (1) and the recommended ratio of the resistor divider is 5.

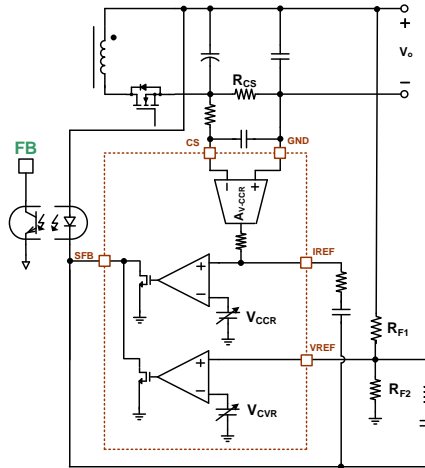
$$V_o = V_{CVR} \cdot \frac{R_{F1} + R_{F2}}{R_{F2}} \quad (1)$$

**Constant Current Control**

In order to support adaptive constant output current, FAN6290Q incorporates the constant-current control circuit internally. Output current is sensed via a current-sense resistor, R<sub>CS</sub>, which is connected between the CS pin and GND pin. The sensed signal is internally amplified, and this amplified voltage is connected to the non-inverting input of the internal operation amplifier. Likewise the constant voltage amplifier circuit, it also plays a role as a shunt regulator to regulate the constant output current. In order to compensate output current regulation, one capacitor and one resistor are connected between IREF and SFB pins typically as the Figure 18. The constant output current is decided by the equation (2). 30 mΩ is typically used for the sense resistor.

$$I_{O\_CC} = \frac{1}{A_{V\_CCR}} \cdot \frac{V_{CCR}}{R_{CS}} \quad (2)$$

Since CS pin senses small amounts of voltage, the sensing resistor should be positioned as close as possible to CS pin. Shown in Figure 18, an RC low pass filter can be added on the CS pin to be immunized from noise.



**Figure 18 Constant Voltage and Constant Current Circuit**

**Green Mode Operation**

In order to reduce power consumption at light-load conditions, FAN6290Q enters the green mode. When V<sub>CS</sub> which is the voltage between CS and GND pins is smaller than V<sub>CS-Green</sub> with longer duration than t<sub>Green-EN-Debounce</sub>, FAN6290Q enters the green mode. Typical output current entering the green mode is 170 mA. While it operates in the green mode, some internal blocks are disabled such as Synchronous Rectifier control block. Therefore, the operating current can be reduced to 1.2 mA (typ.). It leaves green mode when V<sub>CS</sub> is larger than V<sub>CS-Green</sub> with longer duration than t<sub>Green-DIS-Debounce</sub>.

**Cable Drop Compensation**

To regulate the output voltage constantly at the end of a cable regardless of output current, the cable drop compensation function is implemented. The weight of compensation is internally fixed. The compensated output voltage is described in equation (3).

$$V_{OUT-COMPENSATION} = V_{COMR-CDC} \cdot \frac{R_{F1} + R_{F2}}{R_{F2}} \cdot \frac{I_{OUT}}{2} \quad (3)$$

Output OVP also implements cable drop compensation. Ratio of cable drop compensation for output OVP is different with cable drop compensation for constant voltage regulation shown in equation (4).

$$V_{OVP} = V_{IN-OVP} + V_{COMR-OVP} \cdot \frac{I_{OUT}}{2} \quad (4)$$

# FAN6290QF/FAN6290QH

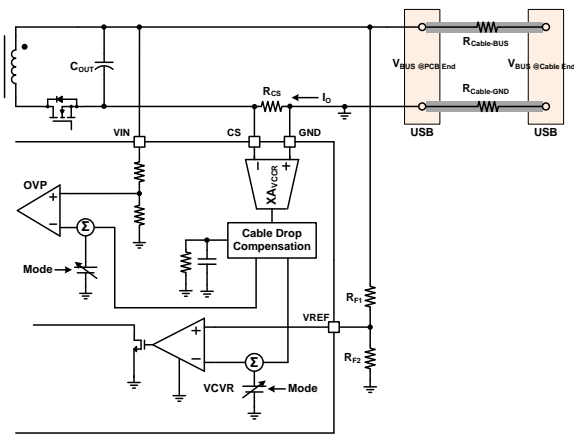


Figure 19 Cable-Drop Compensation Block

## Output Over-Voltage Protection

Figure 20 shows the output Over-Voltage Protection (OVP) block, which is adaptive according to output voltage status. Once the sensed output voltage via VIN pin is larger than  $V_{IN-OVP}$  longer than  $t_{D-OVP}$ , the internal OVP switch is enabled with latch mode. And the latch mode of FAN6290Q is reset when  $V_{IN} < V_{LATCH-OFF}$ . When FAN6290Q is compatible with FAN602,  $V_{S-UVP}$  of FAN602 can be triggered after releasing latch mode of FAN6290Q. According to protection mode of  $V_{S-UVP}$  of FAN602,  $V_{IN-OVP}$  of FAN6290Q is operated as Extended Auto-Restart mode or latch mode.

Table 2. Over-Voltage Protection Threshold Level

Symbol	$V_{OUT}$ Range	OVP Level (Typ.)
$V_{IN-OVP-5V}$	3.6 V ~ 5.0 V	6.0 V
$V_{IN-OVP-6V}$	5.2 V ~ 6.0 V	8.4 V
$V_{IN-OVP-9V}$	6.2 V ~ 9.0 V	10.8 V
$V_{IN-OVP-12V}$	9.2 V ~ 12.0 V	14.4 V

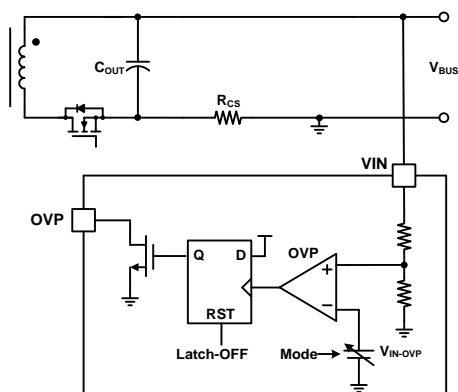


Figure 20 Output Over-Voltage Protection Block

## Output Under-Voltage Protection

In order to support foldback level of each output mode, the output Under-Voltage Protection (UVP) function is incorporated. The UVP function can reduce power delivery during output soft-short fault. Figure 21 shows its implementation. Once  $V_{IN}$  voltage is lower than  $V_{IN-UVP}$

$V_{VP-L}$  longer than  $t_{D-VIN-UVP}$ , the constant current level is reduced to 220 mA (typ.). FAN6290Q leaves UVP when  $V_{IN}$  voltage is higher than  $V_{IN-UVP-H}$ . While the UVP is operated, the synchronous rectifier control is disabled to avoid shoot-through. Some option versions enter the latch mode instead of reducing output current after triggering UVP. The UVP function is only enabled when QC2.0 protocol is accepted. For QC3.0 mode, UVP function is disabled.

Table 3. Under-Voltage Protection Threshold Level

Symbol	$V_{OUT}$ Range	UVP Level (Typ.)
$V_{IN-UVP-L-9V}$	9 V of QC2.0	5.50 V
$V_{IN-UVP-H-9V}$		6.00 V
$V_{IN-UVP-L-12V}$	12 V of QC2.0	8.00 V
$V_{IN-UVP-H-12V}$		8.50 V

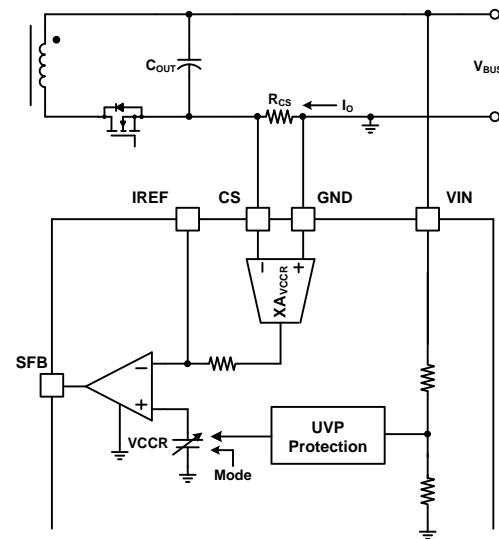


Figure 21 Output Under-Voltage Protection Block

## D+/D- Data Line Over-Voltage Protection

Even though severe fault is occurred between BUS and Ground, monitoring data line status also can protect USB fault condition indirectly because data lines (D+/D-) may be polluted at the same time with BUS line pollution. Therefore, FAN6290Q implements data line Over-Voltage-Protection. It can protect when the BUS and D+/D- are short-circuited with small impedance. When voltage on D+ line and/or D- line is higher than  $V_{DP-OVP}$  and/or  $V_{DP-OVP}$  longer than  $V_{DN-DP-OVP-Debounce}$ , Over-Voltage Protection is triggered. After detecting fault condition, FAN6290Q enters latch mode. When FAN6290Q releases the latch mode, FAN602 enters  $V_{S-UVP}$ .

## Latch Mode Operation

FAN6290Q implements latch mode operation to deliver fault conditions which are detected on secondary-side to primary-side. When one fault condition is triggered among cable fault Protections, over-voltage protection and under-voltage protection, SFB is started to be

# FAN6290QF/FAN6290QH

pulled-down with latch mode. This latch mode is released when  $V_{IN}$  voltage is lower than  $V_{Latch-off}$  which is lower than  $V_{IN-OFF}$ . As shown on Figure 23, after the Latch Mode is released, the primary-side controller leaves burst mode and starts switching again. Since the  $V_{Latch-off}$  is much lower than output voltage level which triggers  $V_{S-UVP}$  of the primary-side controller, after releasing latch mode, the primary-side controller triggers  $V_{S-UVP}$ . Therefore, throughout implementing the latch mode operation, the primary-side controller can trigger  $V_{S-UVP}$ , and the system can enter latch mode. When not only  $V_{IN-OVP}$  and cable fault protection are triggered, but also  $V_{IN}$  voltage is lower than  $V_{IN-OFF}$ , the latch mode is enabled, either. The latch mode operation for  $V_{IN-OFF}$  avoids that system becomes open-loop when  $V_{IN} < V_{IN-OFF}$ .

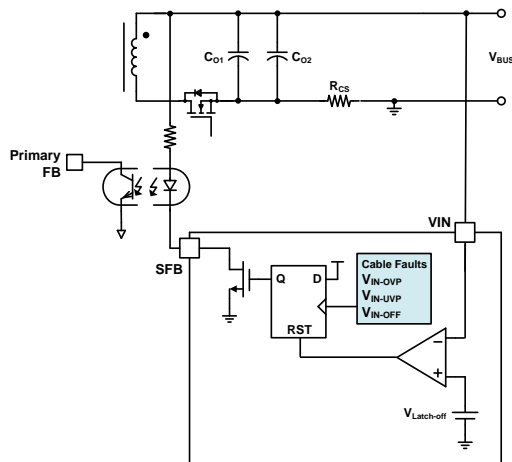


Figure 22 Conceptual Latch Mode Block

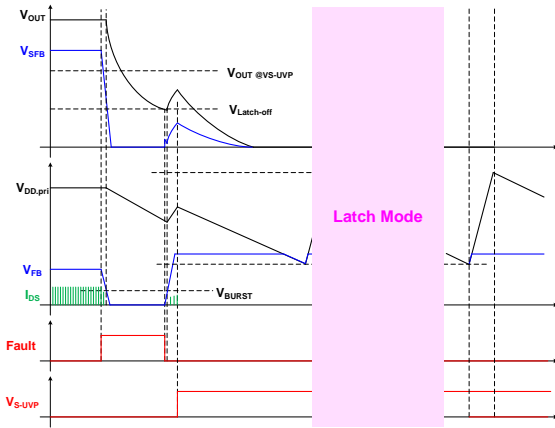


Figure 23 Waveform of Latch Mode Operation

## Reset Circuit on VREF and IREF

$V_{REF}$  and  $I_{REF}$  pins are connected to  $V_{IN}$  through compensation circuits. When CV and CC amplifiers are not enabled,  $V_{REF}$  and  $I_{REF}$  pin voltages are also increased according to increased  $V_{IN}$  voltage (dot lines on Figure 24). The voltages on  $V_{REF}$  and  $I_{REF}$  are higher than target threshold levels. The Reset circuit on  $V_{REF}$  and  $I_{REF}$  are implemented as each pin is connected to ground through internal switches. The  $I_{REF}$  pin is additionally reset during  $t_{Start-Dis-CC}$ . Reset circuit pulls-down current, and these currents ( $I_{RESET\_VREF}$  and  $I_{RESET\_IREF}$ ) can flow through compensation circuits. If current flowing through the opto-coupler is large enough, the primary controller enters burst mode and triggers  $V_{S-UVP-H}$ , because of this startup may fail.  $R_{bias}$  helps to decrease current flowing through the opto-coupler, to avoid startup failure. The  $R_{bias}$  design depends on compensation design, typically 2~6 kΩ is recommended.

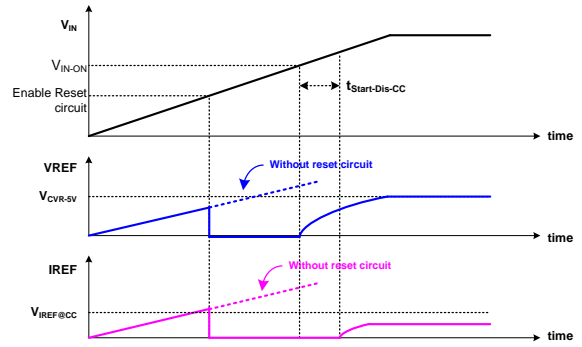


Figure 24 Reset Circuit Operation

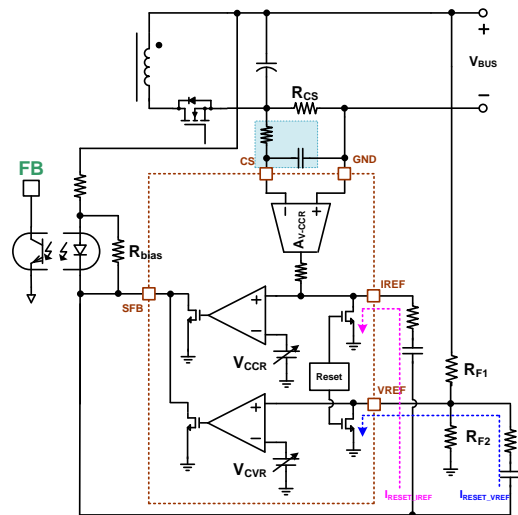


Figure 25 Reset Circuit and  $R_{bias}$



# FAN6290QF/FAN6290QH

## PCB Layout Guidelines

Printed Circuit Board (PCB) layout and design are very important for switching mode power supplies where the voltage and current change with high speed. Good PCB layout minimizes Electro-Magnetic Interference (EMI) and prevents excessive noise from surge or Electro-Static Discharging (ESD). As shown in Figure 27  $C_{OUT1}$  and  $C_{OUT2}$  are the output capacitors;  $Q_2$  is the secondary-side SR MOSFET. The following guidelines are recommended for layout designs.

- The main power flows through  $Q_2$ ,  $C_{OUT1}$ ,  $C_{OUT2}$  and  $R_{CS}$ . This power path should be separated with signal grounds which are connected to FAN6290Q. In addition, it is recommended that power ground is directly connected to Y-cap. Refer to Figure 26.
- The sensed voltage via  $R_{CS}$  is very small value. In order to avoid offset voltage or avoid inducing switching noise on the sensed voltage,  $R_{CS}$  should be connected between ground of  $C_{OUT2}$  and power ground. And  $R_{CS}$  should be positioned as close as possible to CS pin and GND pin. Refer to Figure 27.
- To avoid switching noise interference to Synchronous Rectifier operation,  $R_{LPC-H}$  and  $R_{LPC-L}$  should be close to FAN6290Q. And power path should be apart from LPC path.

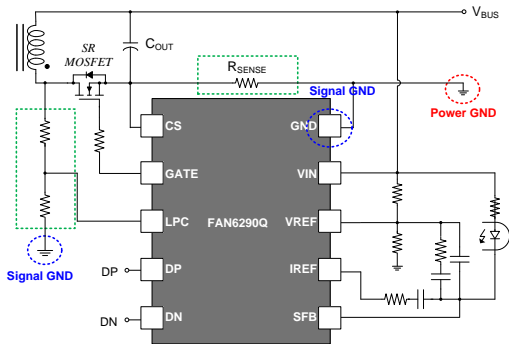


Figure 26 Power and Signal Ground on the Secondary-Side

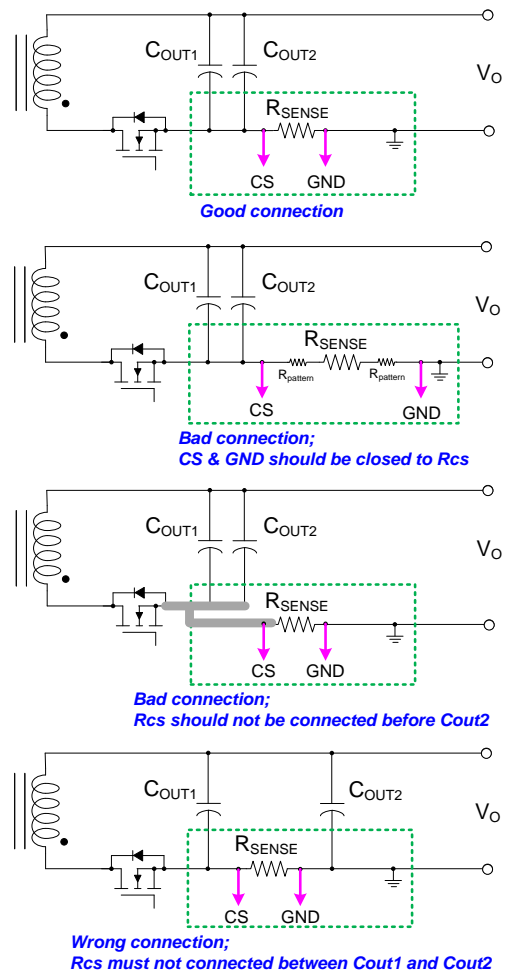


Figure 27 Examples of Sensing Resistor Connection

## FAN6290QF/FAN6290QH

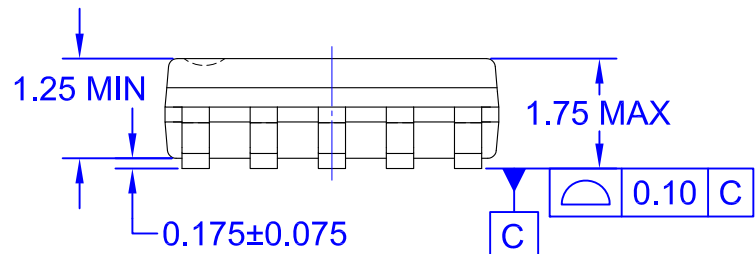
### ORDERING INFORMATION

Part Number	Operating Temperature Range	Package	Packing Method
FAN6290QFMX	-40°C to +125°C	10-Lead, SOP	Tape & Reel
FAN6290QHMX	-40°C to +125°C	10-Lead, SOP	Tape & Reel

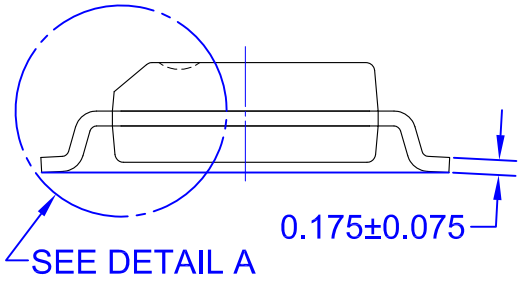
†For information on tape and reel specifications, including part orientation and tape sizes, please refer to our Tape and Reel Packaging Specifications Brochure, BRD8011/D



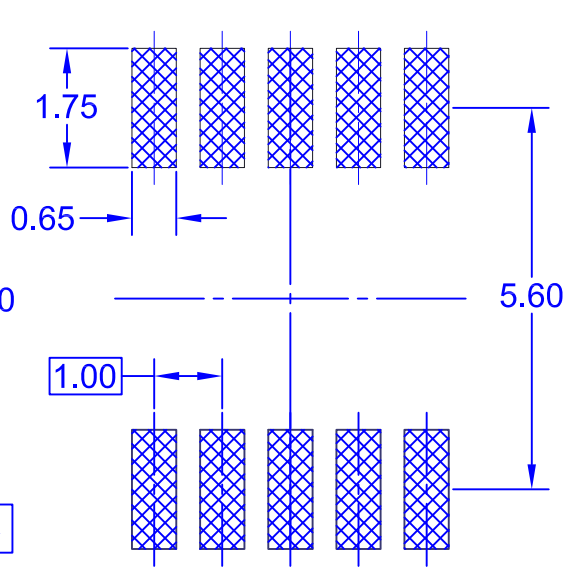
TOP VIEW



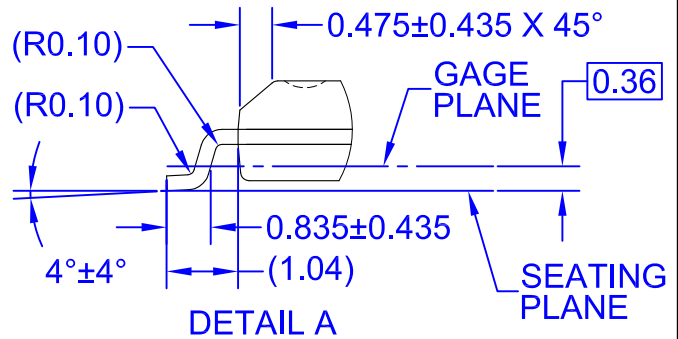
SIDE VIEW



FRONT VIEW



LAND PATTERN RECOMMENDATION



DETAIL A

- NOTES:
- A. THIS PACKAGE DOES NOT FULLY CONFORM TO JEDEC REGISTRATION, MS-012.
  - B. ALL DIMENSIONS ARE IN MILLIMETERS.
  - C. DIMENSIONS DO NOT INCLUDE MOLD FLASH OR BURRS.
  - D. LAND PATTERN STANDARD: SOIC127P600X175.10M
  - E. DRAWING FILENAME: MKT-M10ArevB

ON Semiconductor



ON Semiconductor and  are trademarks of Semiconductor Components Industries, LLC dba ON Semiconductor or its subsidiaries in the United States and/or other countries. ON Semiconductor owns the rights to a number of patents, trademarks, copyrights, trade secrets, and other intellectual property. A listing of ON Semiconductor's product/patent coverage may be accessed at [www.onsemi.com/site/pdf/Patent-Marking.pdf](http://www.onsemi.com/site/pdf/Patent-Marking.pdf). ON Semiconductor reserves the right to make changes without further notice to any products herein. ON Semiconductor makes no warranty, representation or guarantee regarding the suitability of its products for any particular purpose, nor does ON Semiconductor assume any liability arising out of the application or use of any product or circuit, and specifically disclaims any and all liability, including without limitation special, consequential or incidental damages. Buyer is responsible for its products and applications using ON Semiconductor products, including compliance with all laws, regulations and safety requirements or standards, regardless of any support or applications information provided by ON Semiconductor. "Typical" parameters which may be provided in ON Semiconductor data sheets and/or specifications can and do vary in different applications and actual performance may vary over time. All operating parameters, including "Typicals" must be validated for each customer application by customer's technical experts. ON Semiconductor does not convey any license under its patent rights nor the rights of others. ON Semiconductor products are not designed, intended, or authorized for use as a critical component in life support systems or any FDA Class 3 medical devices or medical devices with a same or similar classification in a foreign jurisdiction or any devices intended for implantation in the human body. Should Buyer purchase or use ON Semiconductor products for any such unintended or unauthorized application, Buyer shall indemnify and hold ON Semiconductor and its officers, employees, subsidiaries, affiliates, and distributors harmless against all claims, costs, damages, and expenses, and reasonable attorney fees arising out of, directly or indirectly, any claim of personal injury or death associated with such unintended or unauthorized use, even if such claim alleges that ON Semiconductor was negligent regarding the design or manufacture of the part. ON Semiconductor is an Equal Opportunity/Affirmative Action Employer. This literature is subject to all applicable copyright laws and is not for resale in any manner.

## PUBLICATION ORDERING INFORMATION

### LITERATURE FULFILLMENT:

Literature Distribution Center for ON Semiconductor  
19521 E. 32nd Pkwy, Aurora, Colorado 80011 USA  
**Phone:** 303-675-2175 or 800-344-3860 Toll Free USA/Canada  
**Fax:** 303-675-2176 or 800-344-3867 Toll Free USA/Canada  
**Email:** [orderlit@onsemi.com](mailto:orderlit@onsemi.com)

**N. American Technical Support:** 800-282-9855 Toll Free  
USA/Canada  
**Europe, Middle East and Africa Technical Support:**  
Phone: 421 33 790 2910  
**Japan Customer Focus Center**  
Phone: 81-3-5817-1050

**ON Semiconductor Website:** [www.onsemi.com](http://www.onsemi.com)  
**Order Literature:** <http://www.onsemi.com/orderlit>  
For additional information, please contact your local  
Sales Representative

# Mouser Electronics

Authorized Distributor

Click to View Pricing, Inventory, Delivery & Lifecycle Information:

[ON Semiconductor:](#)

[FAN6290QHM](#) [FAN6290QFM](#)

Компания «Life Electronics» занимается поставками электронных компонентов импортного и отечественного производства от производителей и со складов крупных дистрибьюторов Европы, Америки и Азии.

С конца 2013 года компания активно расширяет линейку поставок компонентов по направлению коаксиальный кабель, кварцевые генераторы и конденсаторы (керамические, пленочные, электролитические), за счёт заключения дистрибьюторских договоров

Мы предлагаем:

- Конкурентоспособные цены и скидки постоянным клиентам.
- Специальные условия для постоянных клиентов.
- Подбор аналогов.
- Поставку компонентов в любых объемах, удовлетворяющих вашим потребностям.
- Приемлемые сроки поставки, возможна ускоренная поставка.
- Доставку товара в любую точку России и стран СНГ.
- Комплексную поставку.
- Работу по проектам и поставку образцов.
- Формирование склада под заказчика.
- Сертификаты соответствия на поставляемую продукцию (по желанию клиента).
- Тестирование поставляемой продукции.
- Поставку компонентов, требующих военную и космическую приемку.
- Входной контроль качества.
- Наличие сертификата ISO.

В составе нашей компании организован Конструкторский отдел, призванный помогать разработчикам, и инженерам.

Конструкторский отдел помогает осуществить:

- Регистрацию проекта у производителя компонентов.
- Техническую поддержку проекта.
- Защиту от снятия компонента с производства.
- Оценку стоимости проекта по компонентам.
- Изготовление тестовой платы монтаж и пусконаладочные работы.



Тел: +7 (812) 336 43 04 (многоканальный)

Email: [org@lifeelectronics.ru](mailto:org@lifeelectronics.ru)