

Solid-state relay terminal block - DEK-OE- 60DC/ 48DC/100 - 2941536

Please be informed that the data shown in this PDF Document is generated from our Online Catalog. Please find the complete data in the user's documentation. Our General Terms of Use for Downloads are valid (<http://download.phoenixcontact.com>)



Input solid-state relay terminal block, input: 60 V DC, output: 3 - 48 V DC/100 mA, terminal block width: 6.2 mm

The illustration shows the version DEK-OE- 24DC/48DC/100

Product Features

- Actuator version available
- EB-DIK insertion bridges
- Labeling and mounting with user-friendly modular terminal blocks
- Wear-free switching of up to 24 V DC/10 A or 240 V AC/800 mA
- Integrated output protective circuit
- Integrated input circuit
- Status indicator
- Electrical isolation between input and output at up to 2.5 kVrms
- Zero voltage switch at AC output



Key commercial data

| | |
|--------------------------------------|-----------|
| Packing unit | 1 PCE |
| Weight per Piece (excluding packing) | 23.63 GRM |
| Custom tariff number | 85364190 |
| Country of origin | China |

Technical data

Note:

| | |
|-------------------------|---|
| Utilization restriction | EMC: class A product, see manufacturer's declaration in the download area |
|-------------------------|---|

Dimensions

Solid-state relay terminal block - DEK-OE- 60DC/ 48DC/100 - 2941536

Technical data

Dimensions

| | |
|--------|--------|
| Width | 6.2 mm |
| Height | 80 mm |
| Depth | 56 mm |

Ambient conditions

| | |
|---|------------------|
| Ambient temperature (operation) | -20 °C ... 60 °C |
| Ambient temperature (storage/transport) | -20 °C ... 70 °C |

Input data

| | |
|--|--------------------------------------|
| Nominal input voltage U_N | 60 V DC |
| Input voltage range in reference to U_N | 0.8 ... 1.2 |
| Switching threshold "0" signal in reference to U_N | ≤ 0.4 |
| Switching threshold "1" signal in reference to U_N | ≥ 0.8 |
| Typical input current at U_N | 4 mA |
| Typical response time | 20 μ s |
| Typical turn-off time | 200 μ s |
| Operating voltage display | Yellow LED |
| Type of protection | Protection against polarity reversal |
| Transmission frequency | 300 Hz |

Output data

| | |
|--|---|
| Output voltage range | 3 V DC ... 48 V DC |
| Limiting continuous current | 100 mA |
| Voltage drop at max. limiting continuous current | ≤ 0.9 V |
| Output circuit | 2-conductor floating, 3-conductor ground-referenced |
| Type of protection | Protection against polarity reversal |
| | Free-wheeling diode |
| Protective circuit/component | Polarity protection diode |
| | Damping diode |
| Output resistor | approx. 22 k Ω (for 3-wire operation) |

Connection data

| | |
|---------------------------------------|---------------------|
| Connection method | Screw connection |
| Stripping length | 8 mm |
| Screw thread | M3 |
| Conductor cross section solid min. | 0.2 mm ² |
| Conductor cross section solid max. | 2.5 mm ² |
| Conductor cross section stranded min. | 0.2 mm ² |
| Conductor cross section stranded max. | 2.5 mm ² |

Solid-state relay terminal block - DEK-OE- 60DC/ 48DC/100 - 2941536

Technical data

Connection data

| | |
|--|----|
| Conductor cross section AWG/kcmil min. | 24 |
| Conductor cross section AWG/kcmil max | 14 |

General

| | |
|----------------------------------|---------------------------|
| Test voltage input/output | 2.5 kV AC |
| Mounting position | any |
| Assembly instructions | In rows with zero spacing |
| Operating mode | 100% operating factor |
| Name | Standards/regulations |
| Standards/regulations | IEC 60664 |
| | EN 50178 |
| | IEC 62103 |
| Rated surge voltage / insulation | Basic insulation |
| Pollution degree | 2 |
| Surge voltage category | III |

Classifications

eCl@ss

| | |
|------------|----------|
| eCl@ss 4.0 | 27371102 |
| eCl@ss 4.1 | 27371102 |
| eCl@ss 5.0 | 27371001 |
| eCl@ss 5.1 | 27371001 |
| eCl@ss 6.0 | 27371001 |
| eCl@ss 7.0 | 27371001 |
| eCl@ss 8.0 | 27371001 |

ETIM

| | |
|----------|----------|
| ETIM 2.0 | EC001504 |
| ETIM 3.0 | EC001504 |
| ETIM 4.0 | EC001504 |
| ETIM 5.0 | EC001504 |

UNSPSC

| | |
|---------------|----------|
| UNSPSC 6.01 | 30211916 |
| UNSPSC 7.0901 | 39121542 |
| UNSPSC 11 | 39121542 |
| UNSPSC 12.01 | 39121542 |

Solid-state relay terminal block - DEK-OE- 60DC/ 48DC/100 - 2941536

Classifications

UNSPSC

| | |
|-------------|----------|
| UNSPSC 13.2 | 39121542 |
|-------------|----------|

Approvals

Approvals

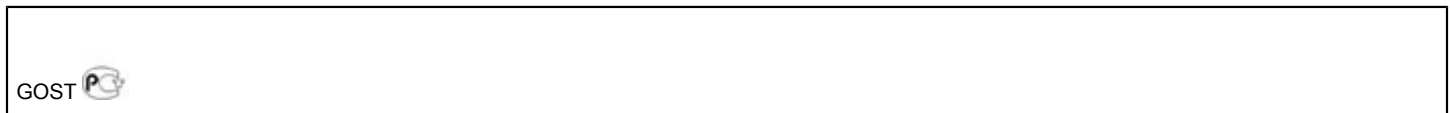
Approvals

GOST

Ex Approvals

Approvals submitted

Approval details



Accessories

Accessories

Bridge

Insertion bridge - EB 80- DIK WH - 2715788



Insertion bridge, Number of positions: 80, Color: white

Insertion bridge - EB 80- DIK RD - 2715953



Insertion bridge, Number of positions: 80, Color: red

Solid-state relay terminal block - DEK-OE- 60DC/ 48DC/100 - 2941536

Accessories

Insertion bridge - EB 80- DIK BU - 2715940



Insertion bridge, Number of positions: 80, Color: blue

Insertion bridge - EB 10- DIK BU - 2716680



Insertion bridge, Number of positions: 10, Color: blue

Insertion bridge - EB 5- DIK BU - 2716677



Insertion bridge, Number of positions: 5, Color: blue

Insertion bridge - EB 4- DIK BU - 2716664



Insertion bridge, Number of positions: 4, Color: blue

Insertion bridge - EB 3- DIK BU - 2716651



Insertion bridge, Number of positions: 3, Color: blue

Solid-state relay terminal block - DEK-OE- 60DC/ 48DC/100 - 2941536

Accessories

Insertion bridge - EB 2- DIK BU - 2716648



Insertion bridge, Number of positions: 2, Color: blue

Insertion bridge - EB 10- DIK RD - 2716774



Insertion bridge, Number of positions: 10, Color: red

Insertion bridge - EB 5- DIK RD - 2716761



Insertion bridge, Number of positions: 5, Color: red

Insertion bridge - EB 4- DIK RD - 2716758



Insertion bridge, Number of positions: 4, Color: red

Insertion bridge - EB 3- DIK RD - 2716745



Insertion bridge, Number of positions: 3, Color: red

Solid-state relay terminal block - DEK-OE- 60DC/ 48DC/100 - 2941536

Accessories

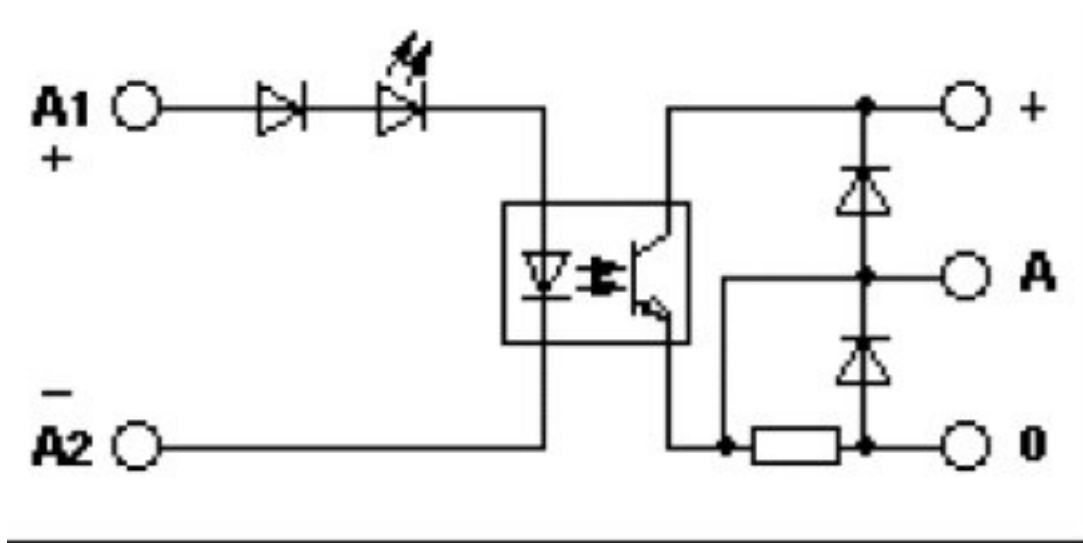
Insertion bridge - EB 2- DIK RD - 2716693



Insertion bridge, Number of positions: 2, Color: red

Drawings

Circuit diagram



Компания «Life Electronics» занимается поставками электронных компонентов импортного и отечественного производства от производителей и со складов крупных дистрибьюторов Европы, Америки и Азии.

С конца 2013 года компания активно расширяет линейку поставок компонентов по направлению коаксиальный кабель, кварцевые генераторы и конденсаторы (керамические, пленочные, электролитические), за счёт заключения дистрибьюторских договоров

Мы предлагаем:

- Конкурентоспособные цены и скидки постоянным клиентам.
- Специальные условия для постоянных клиентов.
- Подбор аналогов.
- Поставку компонентов в любых объемах, удовлетворяющих вашим потребностям.
- Приемлемые сроки поставки, возможна ускоренная поставка.
- Доставку товара в любую точку России и стран СНГ.
- Комплексную поставку.
- Работу по проектам и поставку образцов.
- Формирование склада под заказчика.
- Сертификаты соответствия на поставляемую продукцию (по желанию клиента).
- Тестирование поставляемой продукции.
- Поставку компонентов, требующих военную и космическую приемку.
- Входной контроль качества.
- Наличие сертификата ISO.

В составе нашей компании организован Конструкторский отдел, призванный помогать разработчикам, и инженерам.

Конструкторский отдел помогает осуществить:

- Регистрацию проекта у производителя компонентов.
- Техническую поддержку проекта.
- Защиту от снятия компонента с производства.
- Оценку стоимости проекта по компонентам.
- Изготовление тестовой платы монтаж и пусконаладочные работы.



Тел: +7 (812) 336 43 04 (многоканальный)

Email: org@lifeelectronics.ru