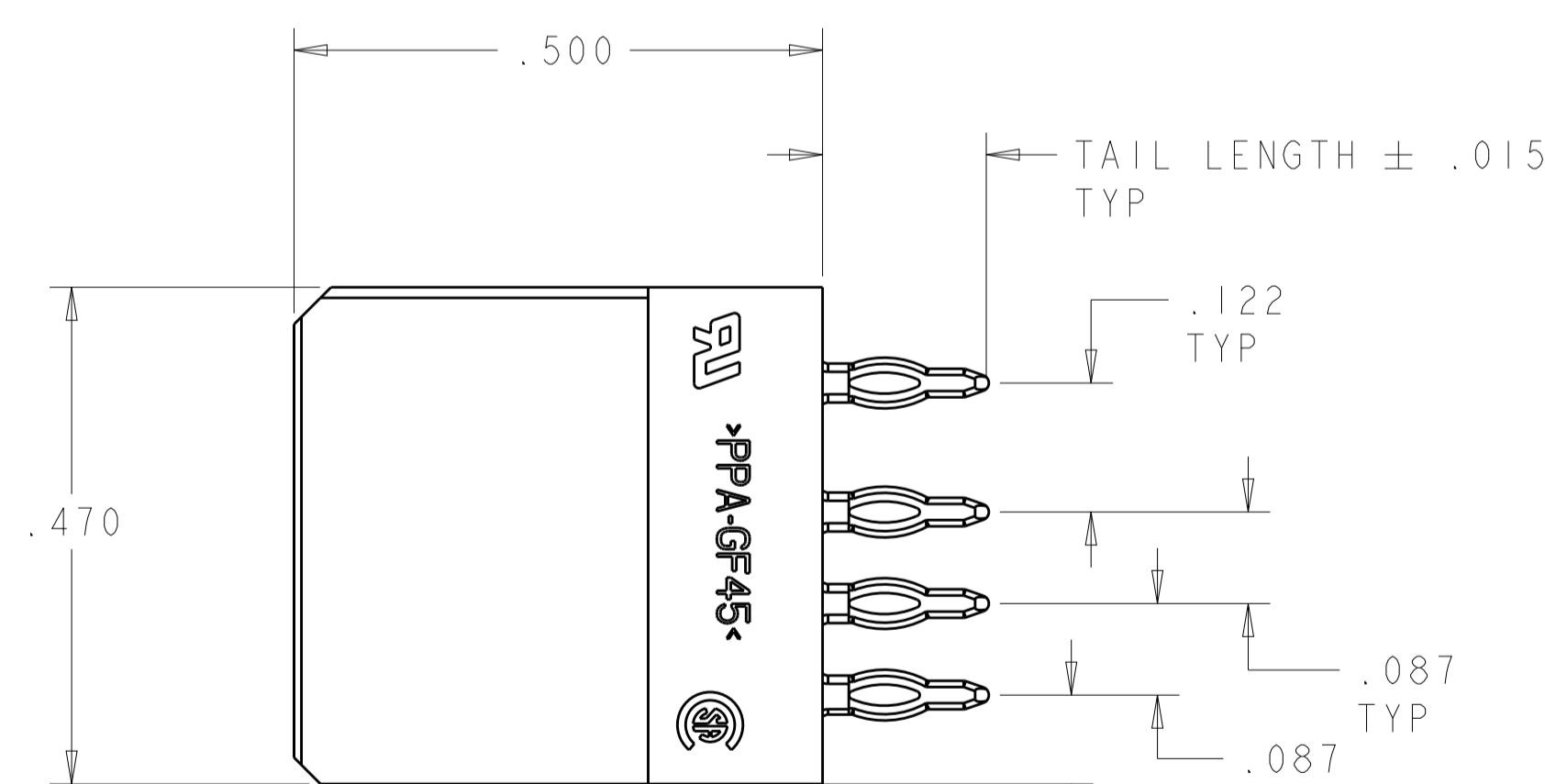
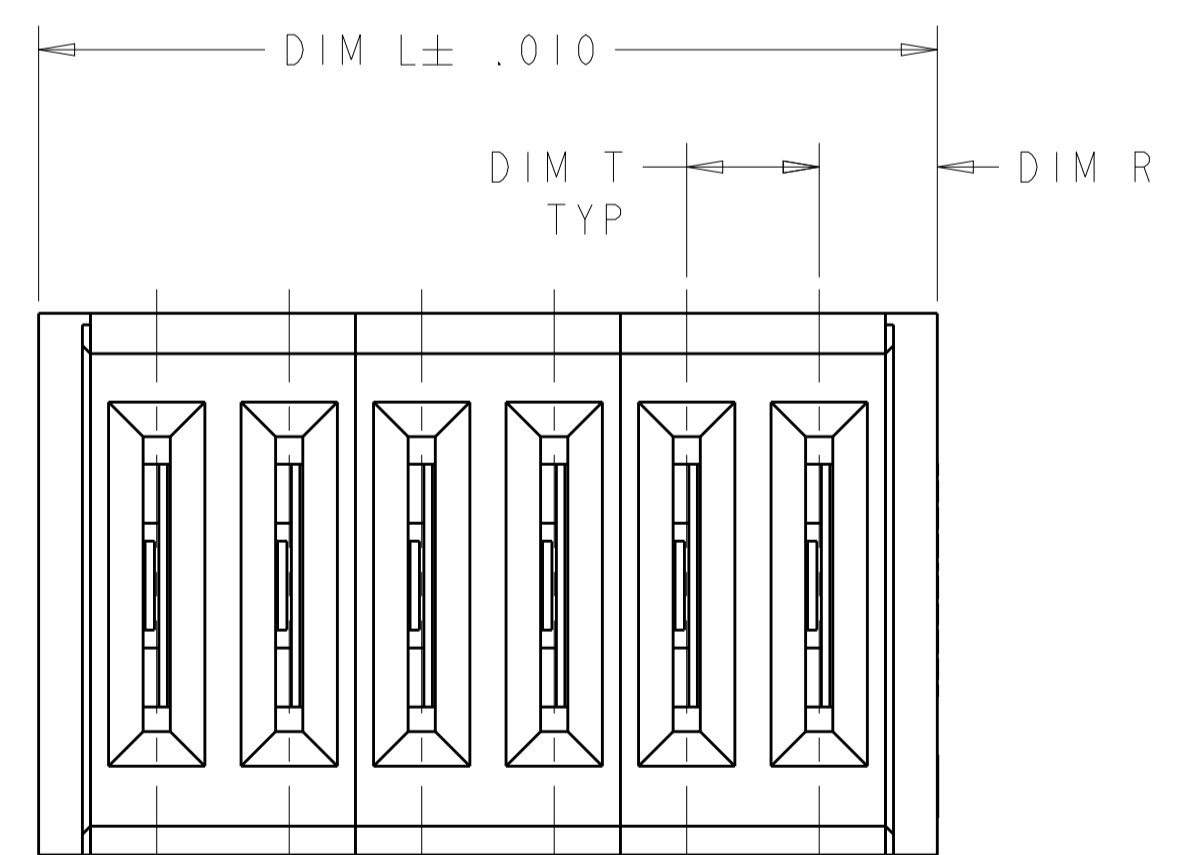
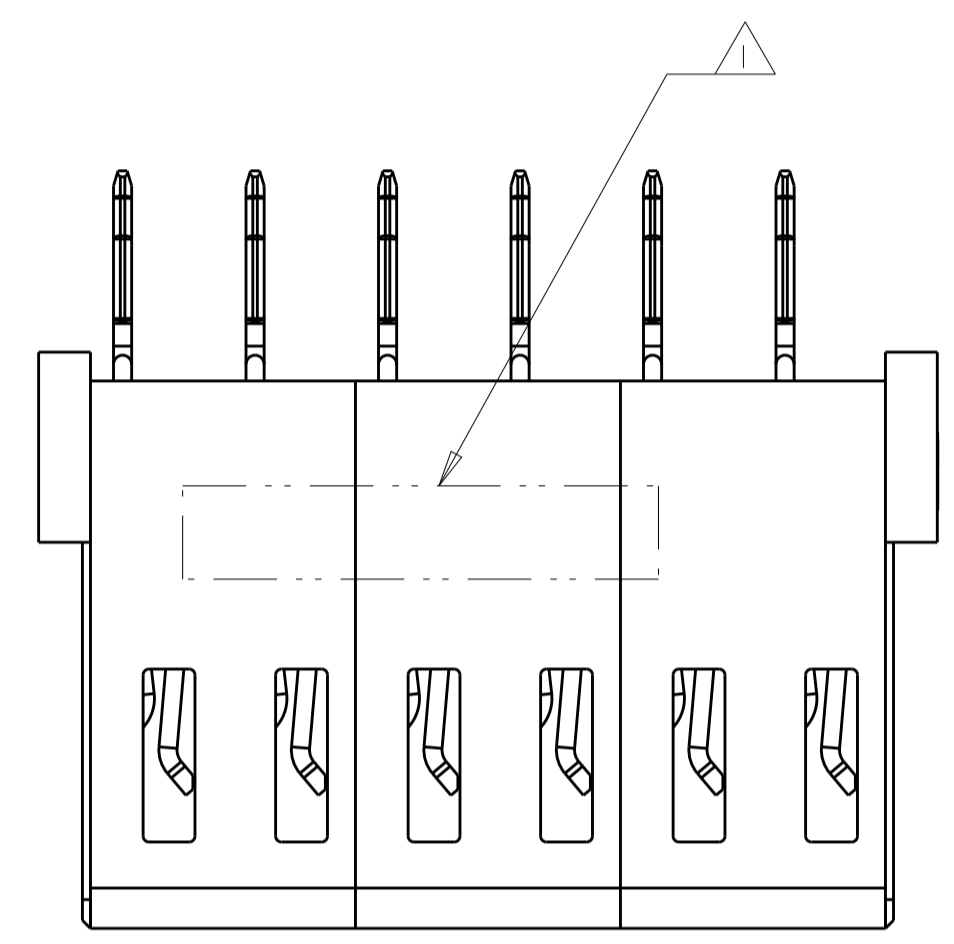
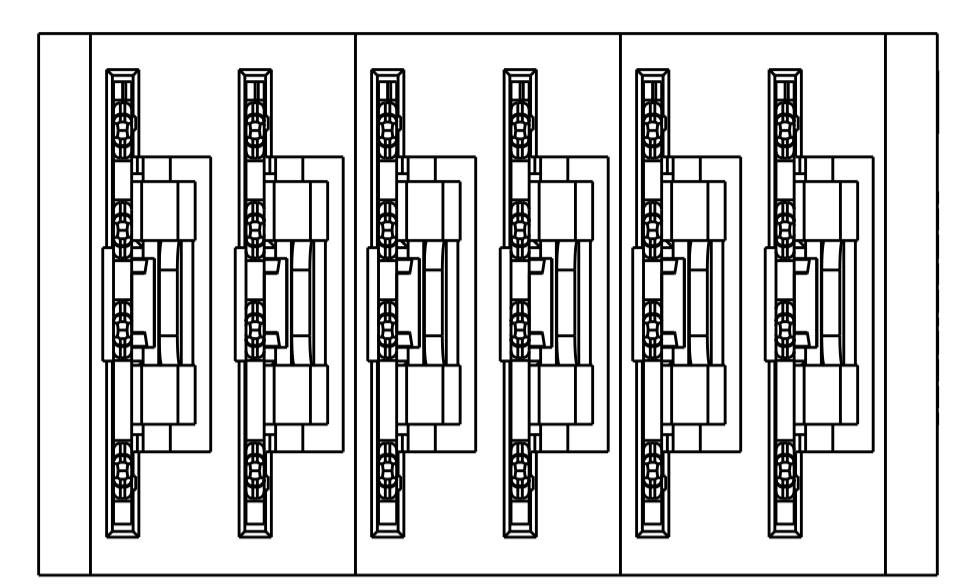


LOC	DIST	REVISIONS					
		P	LTN	DESCRIPTION	DATE	DWN	APVD
ES	00						
		D7		ADDED NEW DASH NUMBER	20MAY2013	CZ	SZ
		E		ADDED NEW DASH NUMBER 2-2	21FEB2015	CZ	SZ
		E1		ADD NEW DASH NUMBER 2-3	20MAR2015	CZ	SZ
		E2		REV PER ECO-17-002972	24FEB2017	WY	SZ



LP CONFIGURATION TAIL DIMENSIONS

- 1 "AMP" PART NUMBER AND DATE CODE TO BE MARKED IN AREA SHOWN. PARTS 2.00 OR LESS MAYBE MARKED ON BOTH SIDES.
- 2 MATERIAL: HOUSING - GLASS FILLED HIGH TEMP THERMO PLASTIC, UL94 V-0  
POWER CONTACT - HIGH CONDUCTIVITY COPPER ALLOY
- 3 CONTACT PLATING: NOBLE METAL PLATING ON CONTACT FUNCTIONAL AREA OF POWER AND SIGNAL CONTACTS.
- 4 MECHANICAL CONNECTOR KEEP OUT ZONE
- 5 DATUM AND BASIC DIMENSIONS ESTABLISHED BY CUSTOMER
- 6 PCB - ALL HOLE DIMENSIONS ARE FINISHED HOLE SIZES
- 7 PCB - .0453±.0010 DRILLED HOLES. PLATED WITH .0003 MIN Sn OVER .001 TO .003 Cu PLATING TO ACHIEVE A .040 DIA. HOLE
- 8 FOR PART NUMBER 6450869-4,6450869-5,6450869-6,6450869-7 PLEASE REFER TO SHEET 2.
- 9 VARIABLE DIMENSIONS PLEASE REFER TO TABLE.
- 10 PLEASE REFER TO PARTS VIEW FOR DETAIL DIMENTIONS.

S	W	R	T	L	DESCRIPTION	PART NUMBER
-	-	.1025	.115	.435	3LP	2-6450869-3
-	-	.1025	.115	.320	2LP	2-6450869-2
-	-	-	-	.540	2P	1-6450869-7
-	-	-	-	2.820	2HDP + 3LP + 40S + 4LP + 2HDP	1-6450869-6
-	-	-	-	1.370	1LP + 40S + 1LP	1-6450869-5
-	-	-	-	2.820	2ACP+ 1LP + 32S + 3HDP + 1LP + 1HDP	1-6450869-4
-	-	-	-	.400	2P	1-6450869-3
-	-	-	-	-	8P	6450869-8
-	-	.170	.200	2.715	12P	6450869-7
4.070	.120	1.295	.200	5.090	44S + 14P + 40S	6450869-6
-	1.595	.345	-	2.015	4P + 16S	6450869-5
-	.120	.795	.200	1.340	24S + 2P	6450869-4
-	-	-	-	-	4S + 17HDP + 8S	6450869-3
-	-	-	-	-	8S + 27P + 8S	6450869-2
-	-	.1025	.115	.780	6 LP	6450869-1

THIS DRAWING IS A CONTROLLED DOCUMENT. DWN: H.LIU 30APR2008, CHK: S.ZHAO 30APR2008, APVD: S.YAO

DIMENSIONS: INCHES. TOLERANCES UNLESS OTHERWISE SPECIFIED: 0 PLC ±.01, 1 PLC ±.01, 2 PLC ±.01, 3 PLC ±.005, 4 PLC ±.0020, ANGLES ±.020

MATERIAL: 2. FINISH: 3.

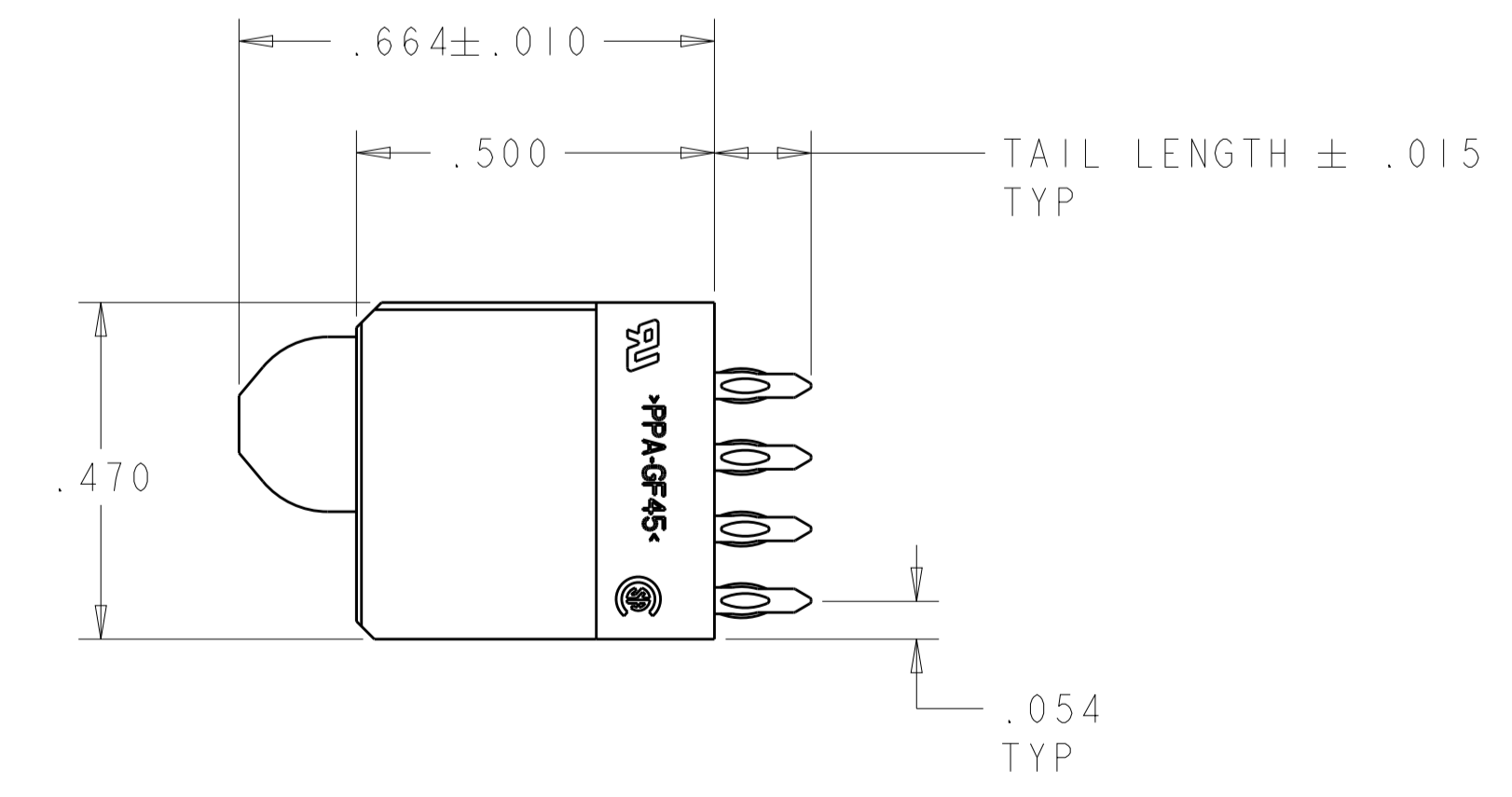
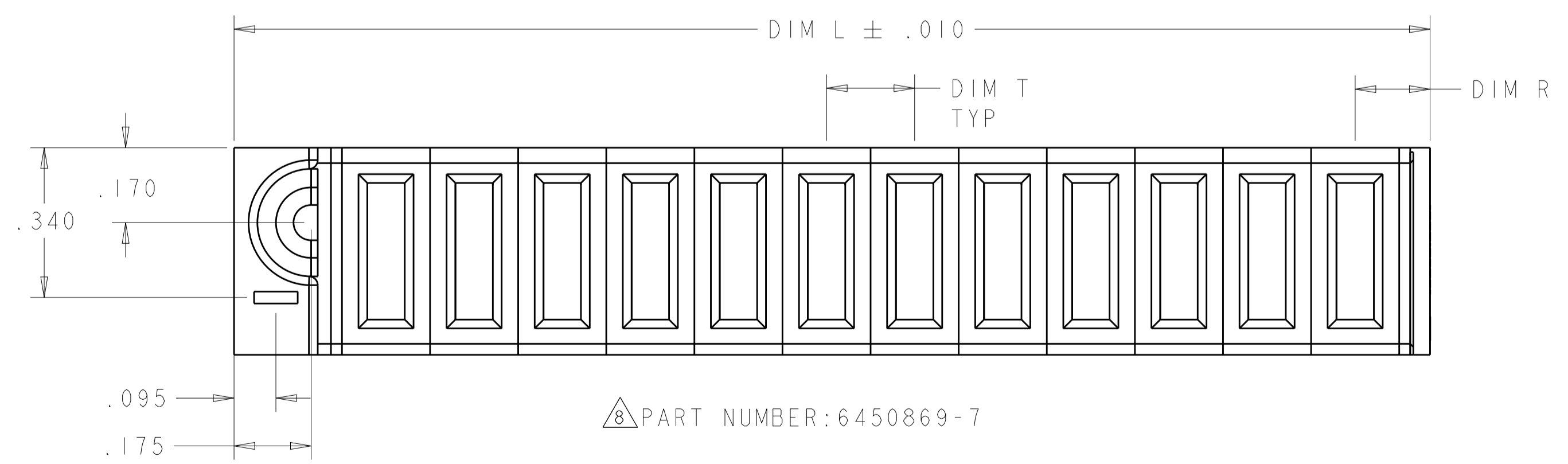
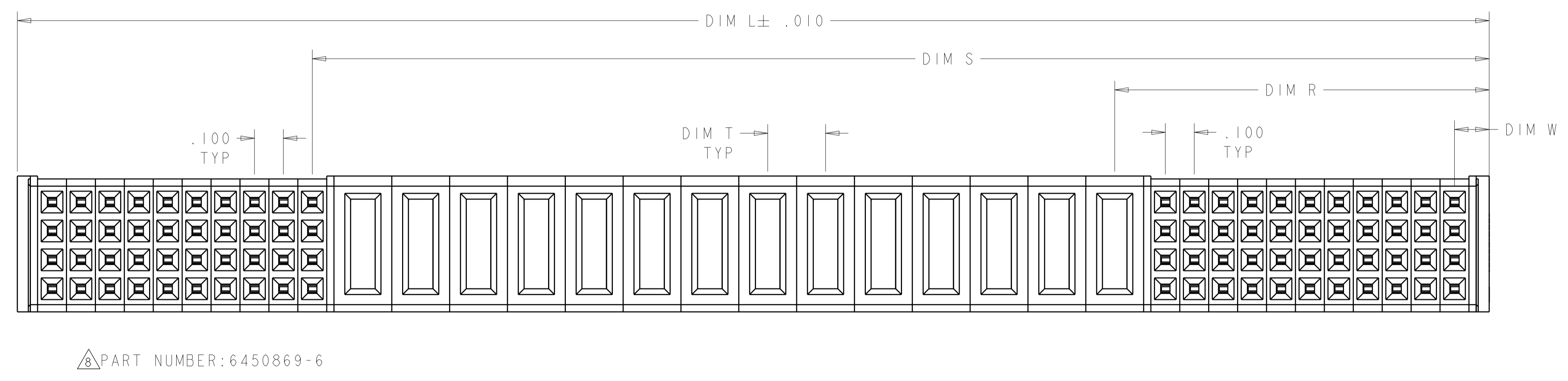
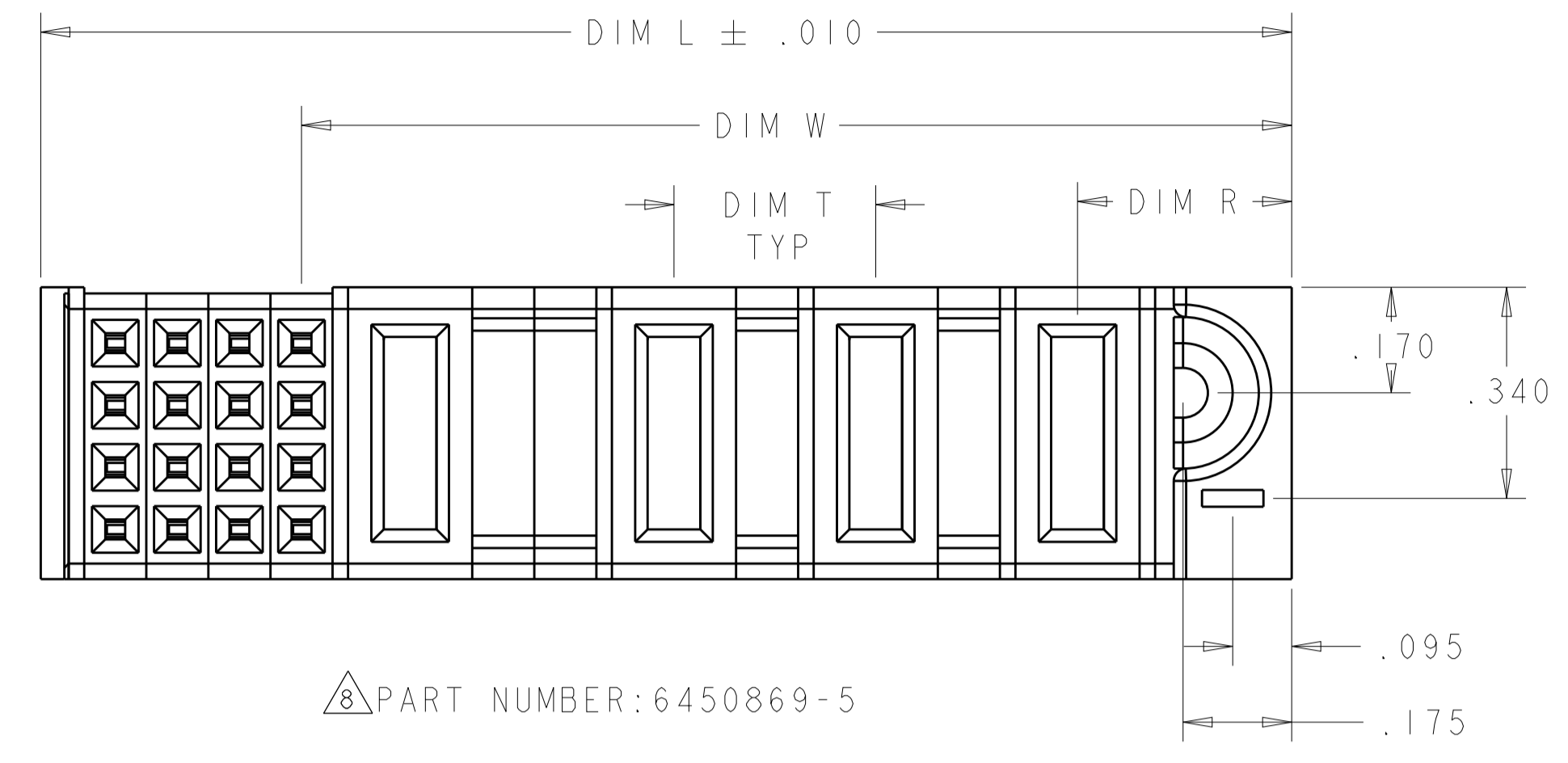
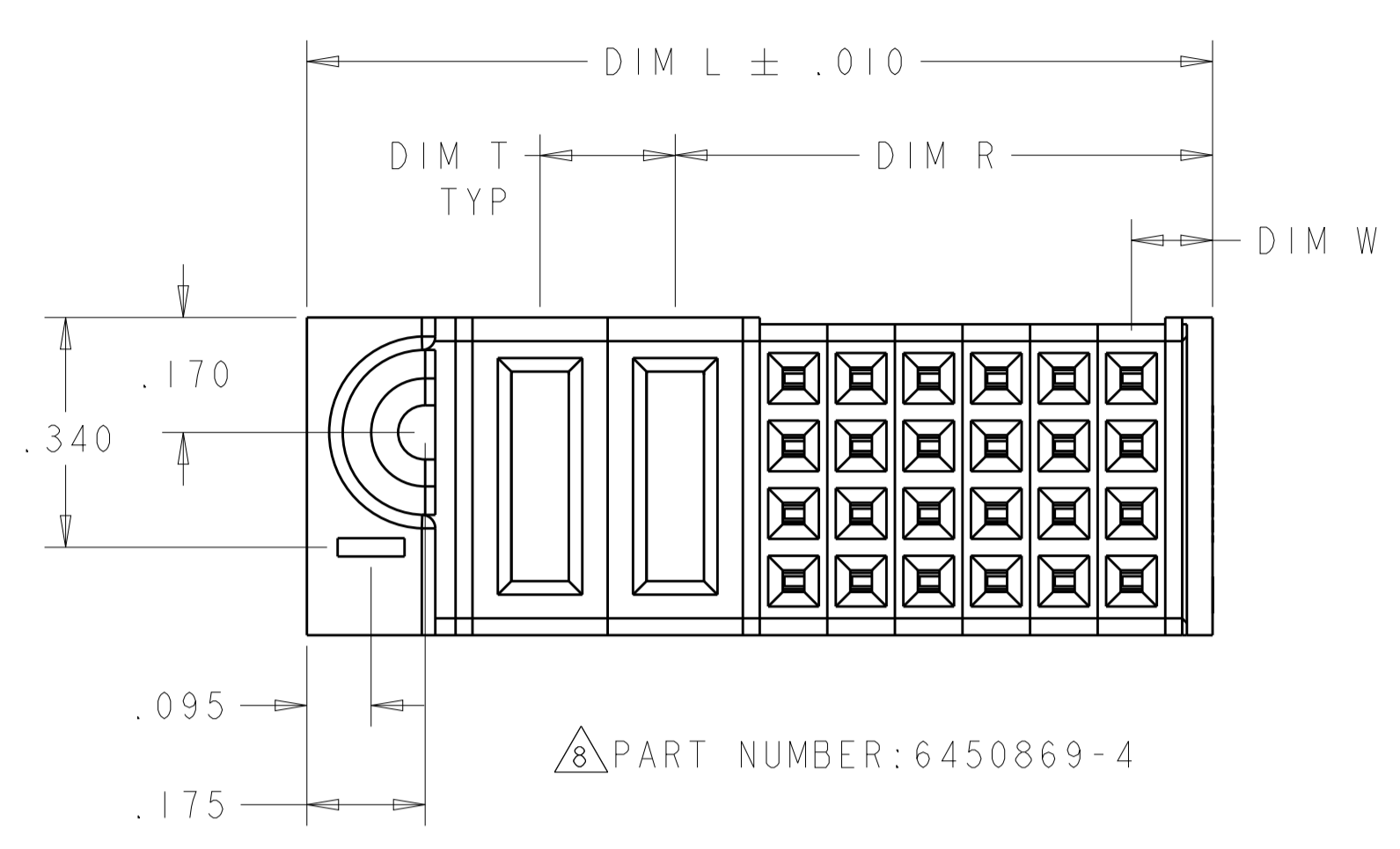
TE Connectivity

NAME: VERTICAL RECEPTACLE ASSEMBLY NO GUIDES MULTI-BEAM XLE

PRODUCT SPEC: 108-2292, APPLICATION SPEC: 114-13038, CAGE CODE: 100779, DRAWING NO: 6450869

CUSTOMER DRAWING. SCALE: 4:1. SHEET 1 OF 10. REV: E2

LOC		DIST		REVISIONS			
ES	00	P	LTN	DESCRIPTION	DATE	DWN	APVD
-	-	-	-	SEE SHEET 1	-	-	-

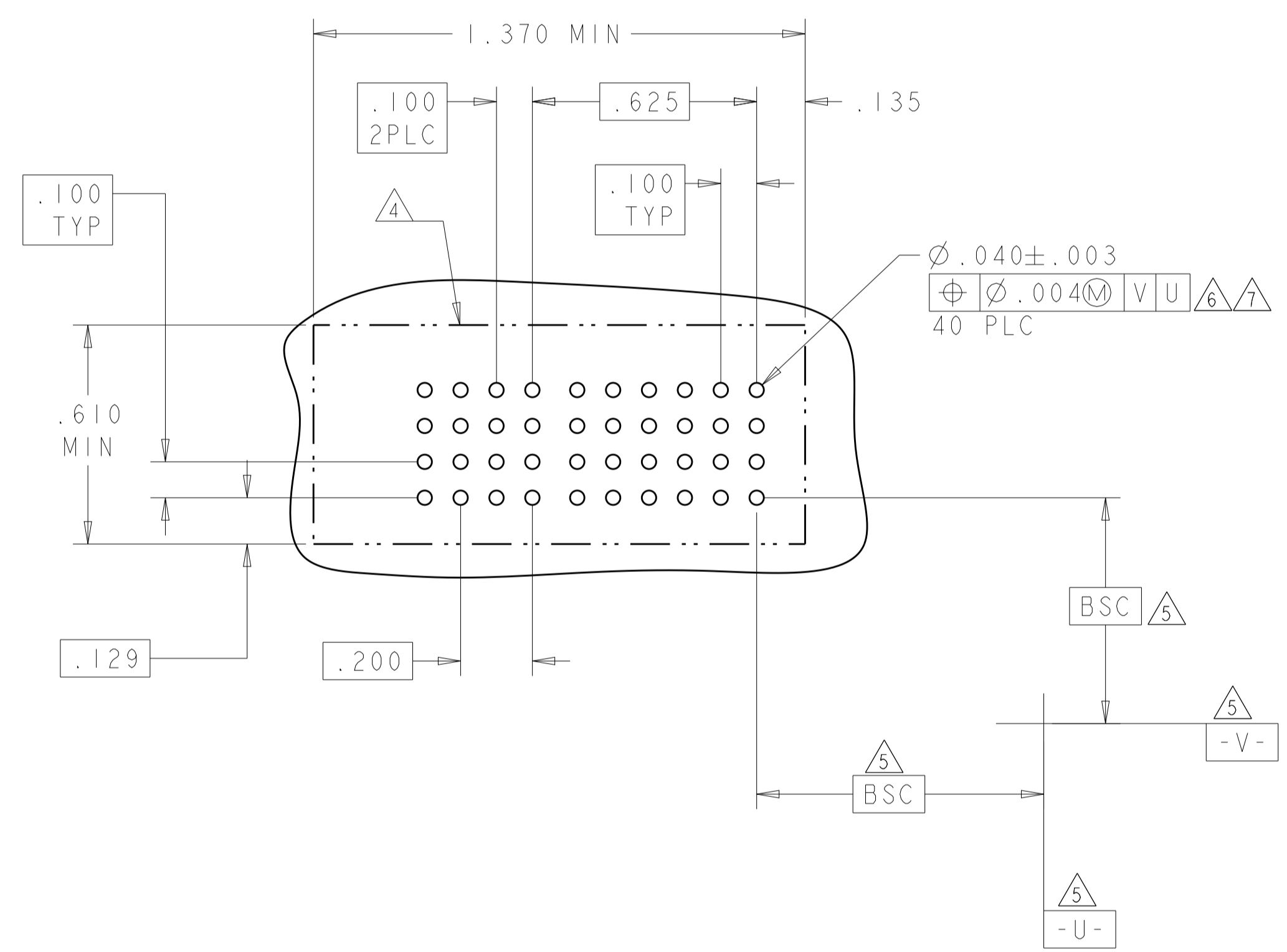
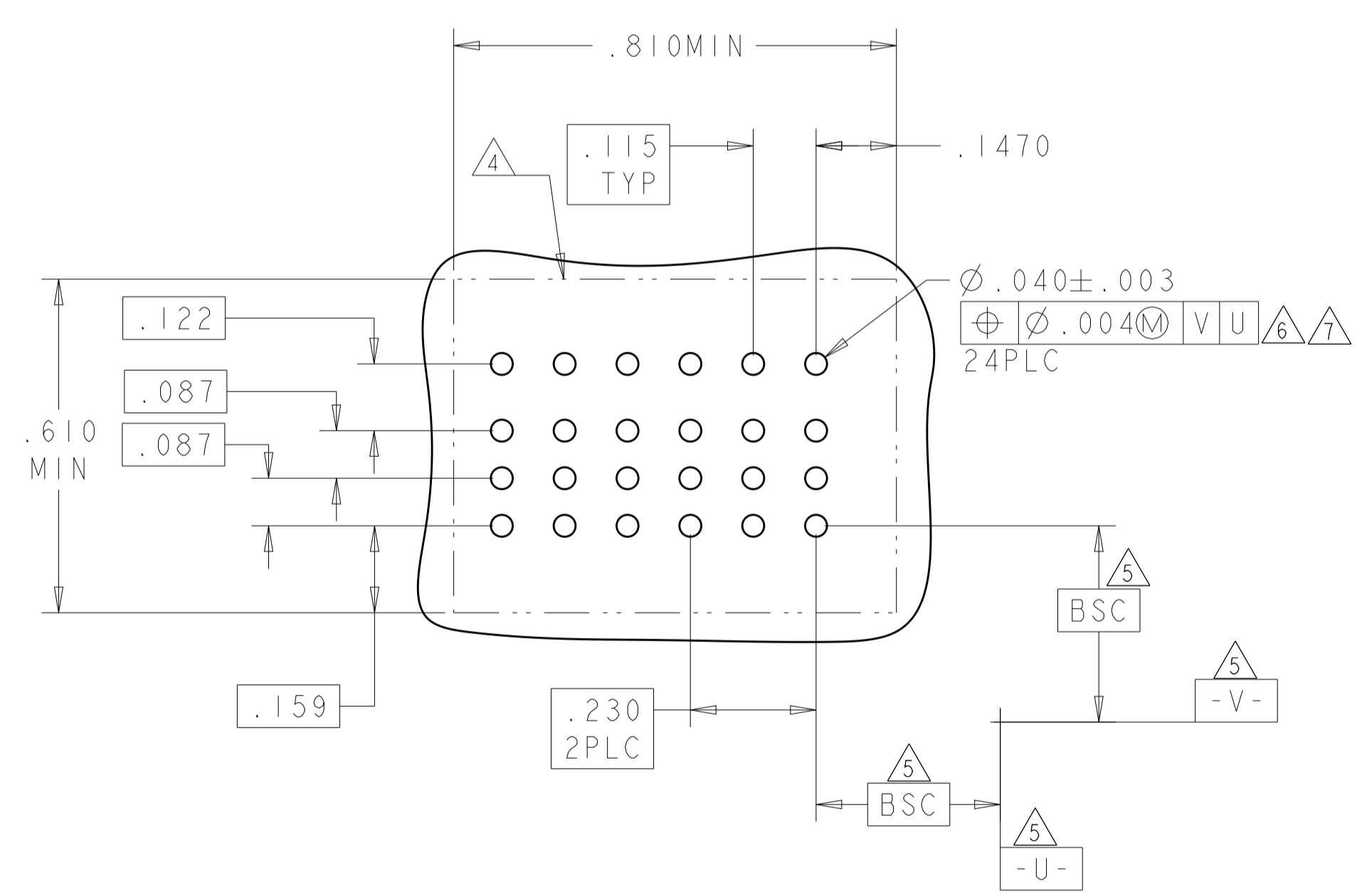


THIS DRAWING IS A CONTROLLED DOCUMENT.		DWN	H. LIU	30APR2008	TE Connectivity
DIMENSIONS:		CHK	S. ZHAO	30APR2008	
INCHES		TOLERANCES UNLESS OTHERWISE SPECIFIED:		APVD	S. YAO
0 PLC ±. 1 PLC ±.01 2 PLC ±.01 3 PLC ±.005 4 PLC ±.0020 ANGLES ±.2°		PRODUCT SPEC 108-2292 APPLICATION SPEC 114-13038		NAME	
MATERIAL		FINISH		VERTICAL RECEPTACLE ASSEMBLY NO GUIDES MULTI-BEAM XLE	
CUSTOMER DRAWING		SCALE 4:1		SIZE CAGE CODE DRAWING NO A100779C=6450869	
4805 (3/11)		SHEET 2 OF 10		REV E2	

LOC	DIST	REVISIONS			
P	LTN	DESCRIPTION	DATE	DMN	APVD
ES	00	SEE SHEET 1	-	-	-

PART NUMBER	POWER					
	LP6	LP5	LP4	LP3	LP2	LP1
6450869-1	LSI	LSI	LSI	LSI	LSI	LSI
6 LP						

PART NUMBER	ROWS	POWER		SIGNAL						
		P2	PI	6	5	4	3	2	1	
6450869-4	D	GP	GS	AP	AP	AP	AP	AP	AP	
	C			AP	AP	AP	AP	AP	AP	
	B			AP	AP	AP	AP	AP	AP	
	A			AP	AP	AP	AP	AP	AP	
24S + 2P										



P	.115 TAIL LENGTH, PRESS FIT, SIGNAL
AP	.135 TAIL LENGTH, PRESS FIT, SIGNAL
VP	MFBL .115 TAIL LENGTH, PRESS FIT, POWER
VS	STD .115 TAIL LENGTH, PRESS FIT, POWER
GP	MFBL .135 TAIL LENGTH, PRESS FIT, POWER
GS	STD .135 TAIL LENGTH, PRESS FIT, POWER
LSI	STD .135 TAIL LENGTH, PRESS FIT, POWER
CODE	PRESS FIT
POWER CONTACT	

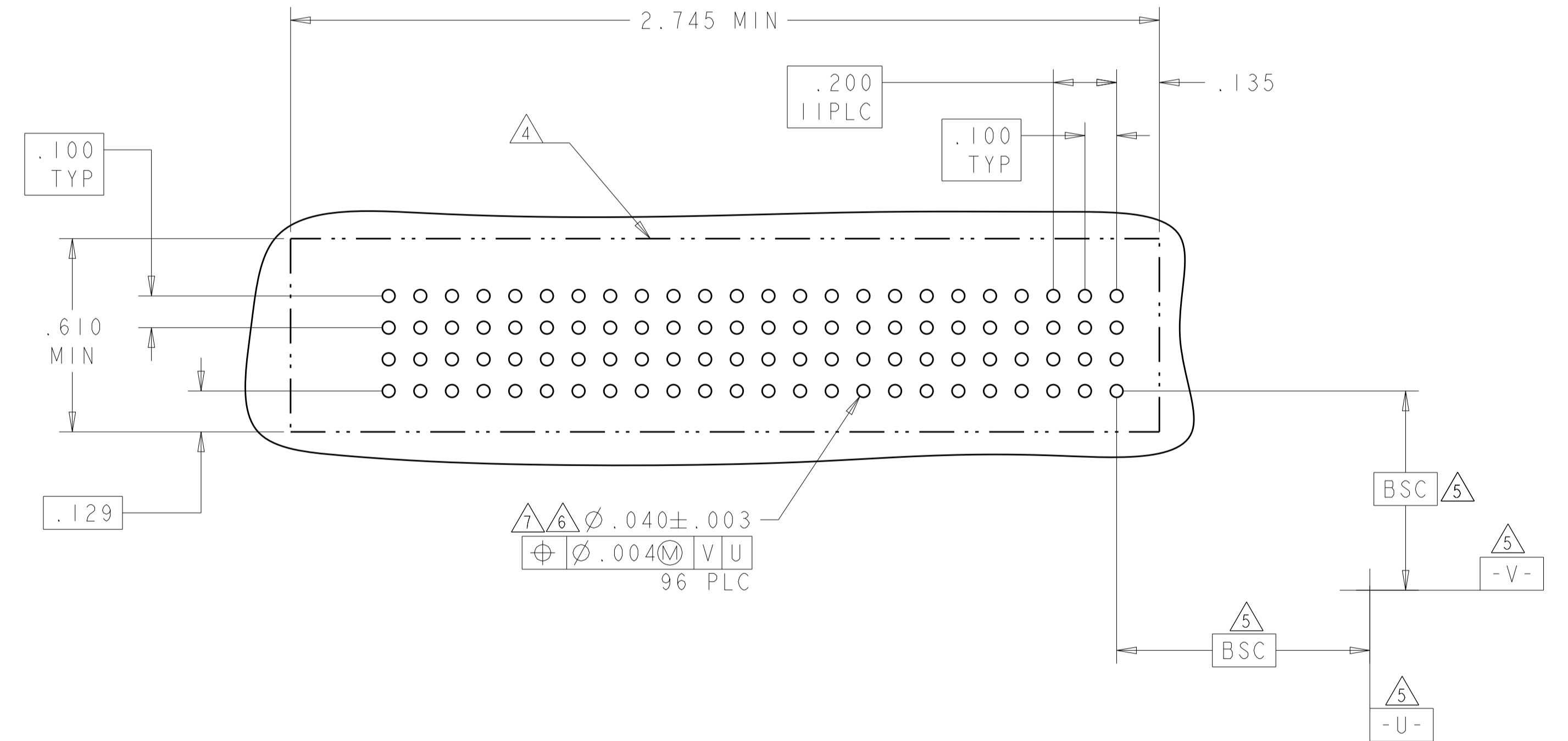
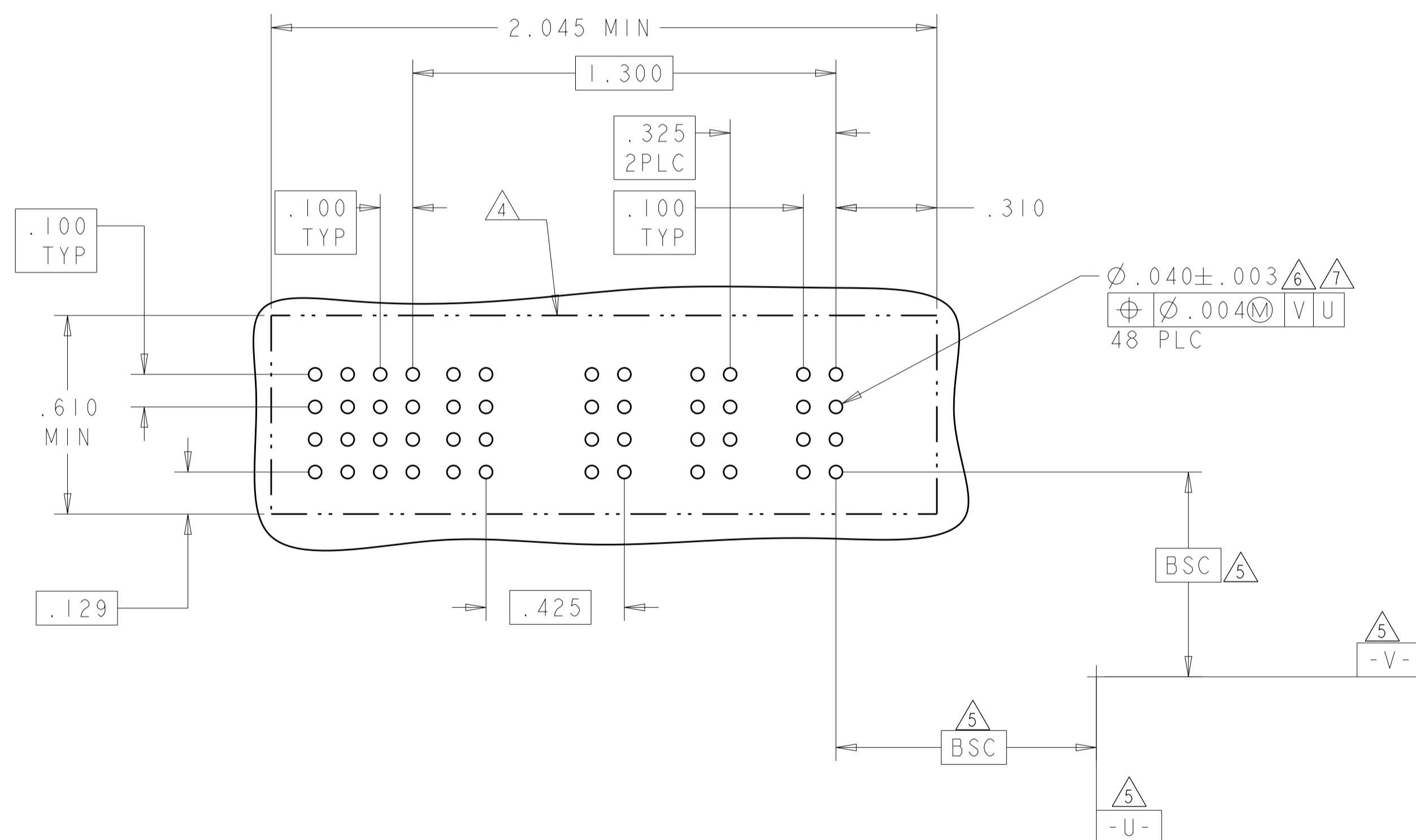
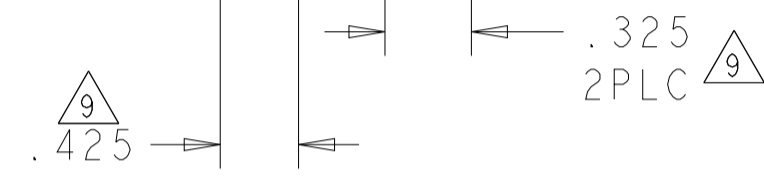
THIS DRAWING IS A CONTROLLED DOCUMENT.

DIMENSIONS: INCHES	TOLERANCES UNLESS OTHERWISE SPECIFIED:	DMN: H. LIU 30APR2008	CHK: S. ZHAO 30APR2008	TE Connectivity
0 PLC ±. 1 PLC ±.01 2 PLC ±.01 3 PLC ±.005 4 PLC ±.0020 ANGLES ±.020	APVD: S. YAO PRODUCT SPEC: 108-2292 APPLICATION SPEC: 114-13038 WEIGHT: - CUSTOMER DRAWING	NAME: VERTICAL RECEPTACLE ASSEMBLY NO GUIDES MULTI-BEAM XLE SIZE: A1 CAGE CODE: 100779 DRAWING NO: 6450869	RESTRICTED TO: - SCALE: 4:1 SHEET: 3 OF 10 REV: E2	

LOC	DIST	REVISIONS			
P	LTN	DESCRIPTION	DATE	DMN	APVD
ES	00	SEE SHEET 1	-	-	-

PART NUMBER	ROWS	SIGNAL				POWER			
		4	3	2	1	P4	P3	P2	P1
6450869-5	D	AP	AP	AP	AP	GP	GS	GS	GS
	C	AP	AP	AP	AP				
	B	AP	AP	AP	AP				
	A	AP	AP	AP	AP				
4P + 16S									

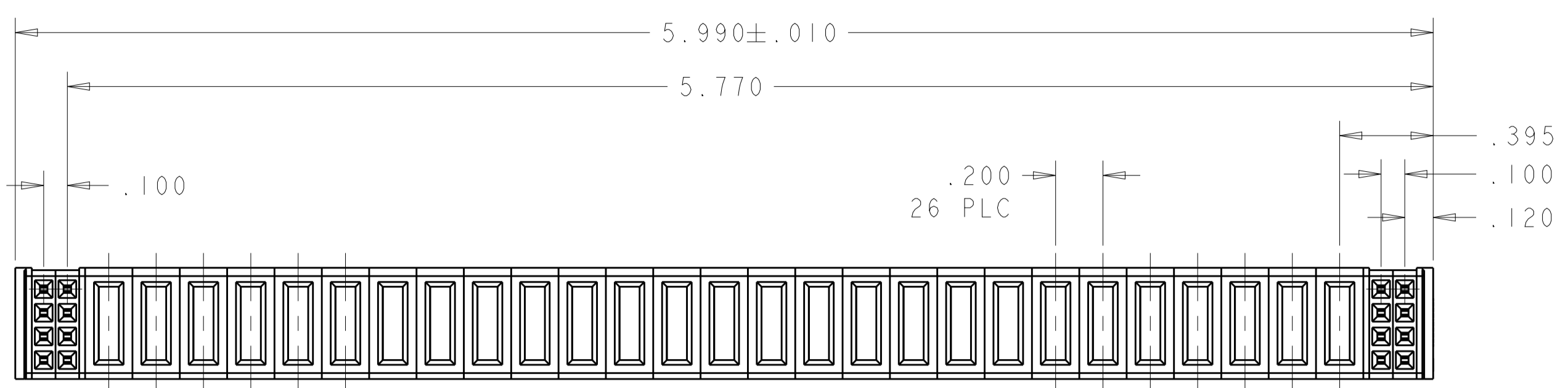
PART NUMBER	POWER											
	P12	P11	P10	P9	P8	P7	P6	P5	P4	P3	P2	P1
6450869-7	GS	GS	GP	GS	GS	GS	GS	GS	GP	GS	GS	GS
12P												



THIS DRAWING IS A CONTROLLED DOCUMENT.		DMN: H.LIU 30APR2008	 TE Connectivity
DIMENSIONS: INCHES		CHK: S.ZHAO 30APR2008	
TOLERANCES UNLESS OTHERWISE SPECIFIED: 0 PLC ±. 1 PLC ±.01 2 PLC ±.01 3 PLC ±.005 4 PLC ±.0020 ANGLES ±.2° FINISH: -		APVD: S.YAO PRODUCT SPEC: 108-2292 APPLICATION SPEC: 114-13038 WEIGHT: -	NAME: VERTICAL RECEPTACLE ASSEMBLY NO GUIDES MULTI-BEAM XLE SIZE: A1 CAGE CODE: 100779 DRAWING NO: 6450869 RESTRICTED TO: -
MATERIAL: -		CUSTOMER DRAWING	SCALE: 4:1 SHEET 4 OF 10 REV: E2



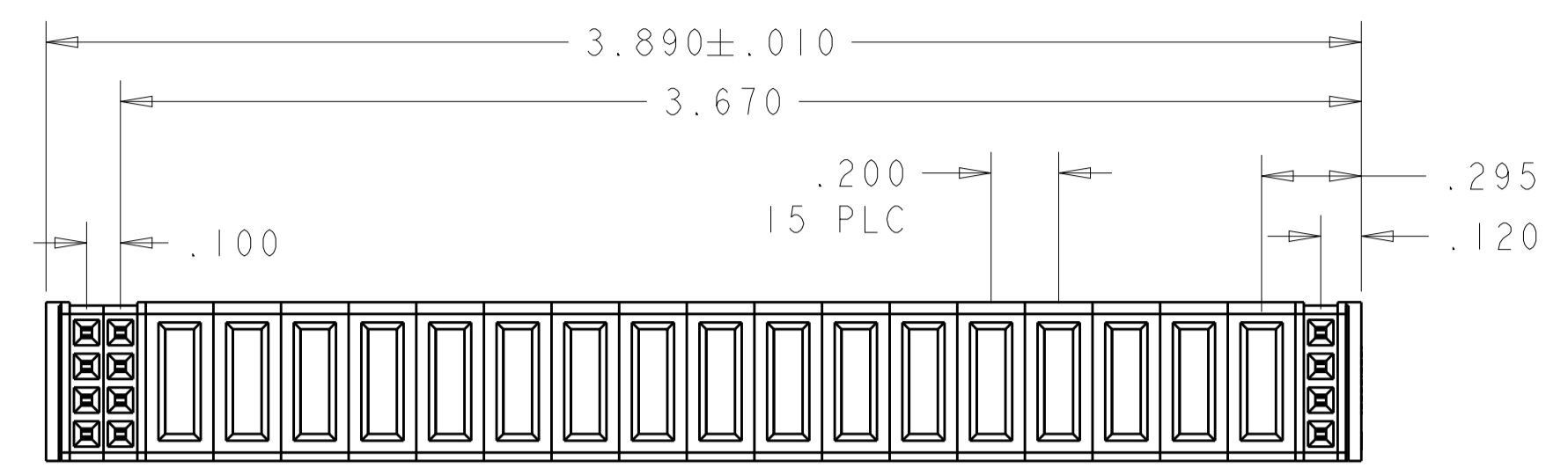
LOC	DIST	REVISIONS			
P	LTN	DESCRIPTION	DATE	OWN	APVD
-	-	SEE SHEET 1	-	-	-



PART NUMBER: 6450869-2

PART NUMBER	ROWS	SIGNAL		POWER																		SIGNAL									
		4	3	P27	P26	P25	P24	P23	P22	P21	P20	P19	P18	P17	P16	P15	P14	P13	P12	P11	P10	P9	P8	P7	P6	P5	P4	P3	P2	P1	2
6450869-2	D	P	P	VS	VS	VS	VS	VS	VS	VS	VS	VS	VS	VS	VS	VS	VS	VS	VS	VS	VS	VS	VS	VS	VS	VS	VS	VS	VS	P	P
	C	P	P																											P	P
	B	P	P																											P	P
	A	P	P																											P	P

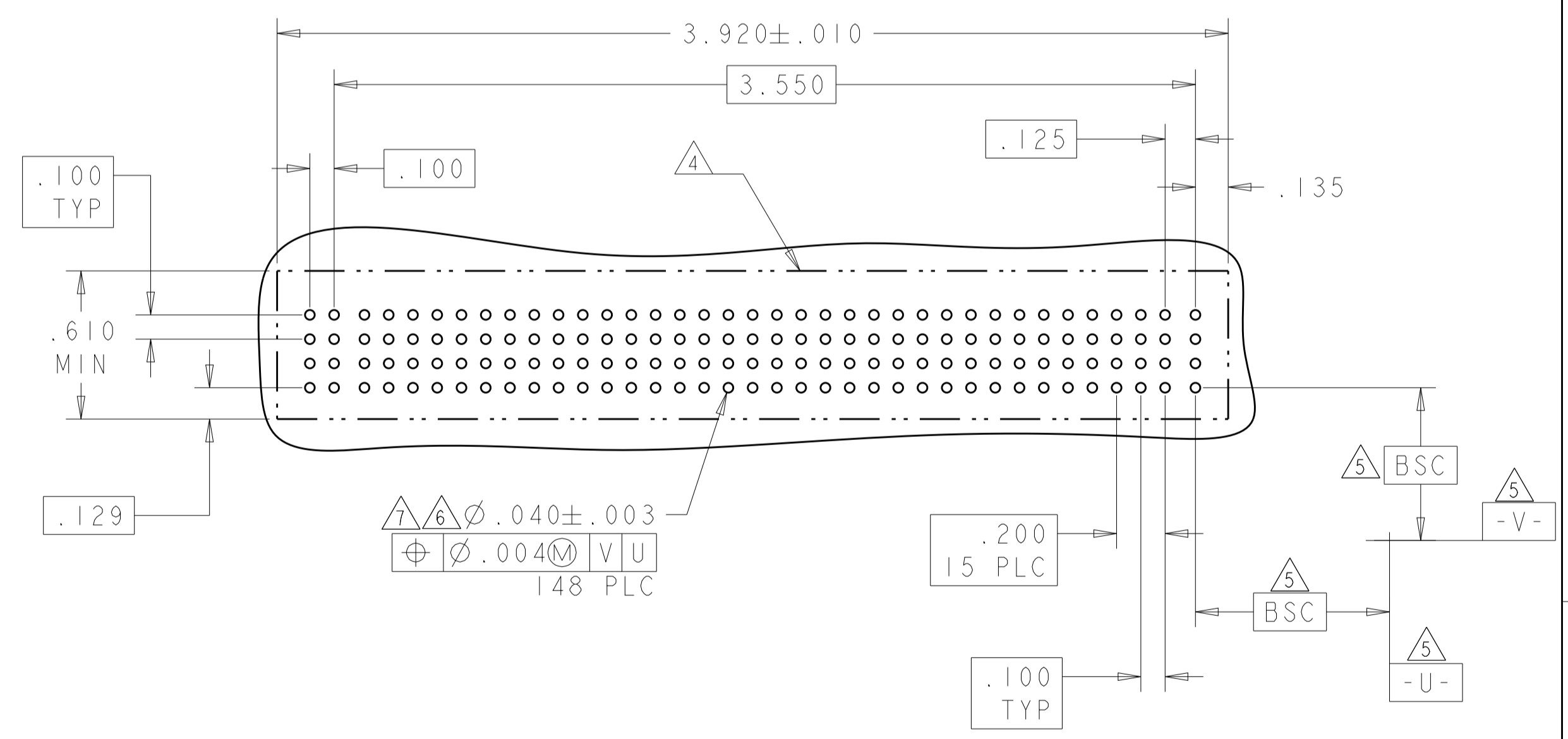
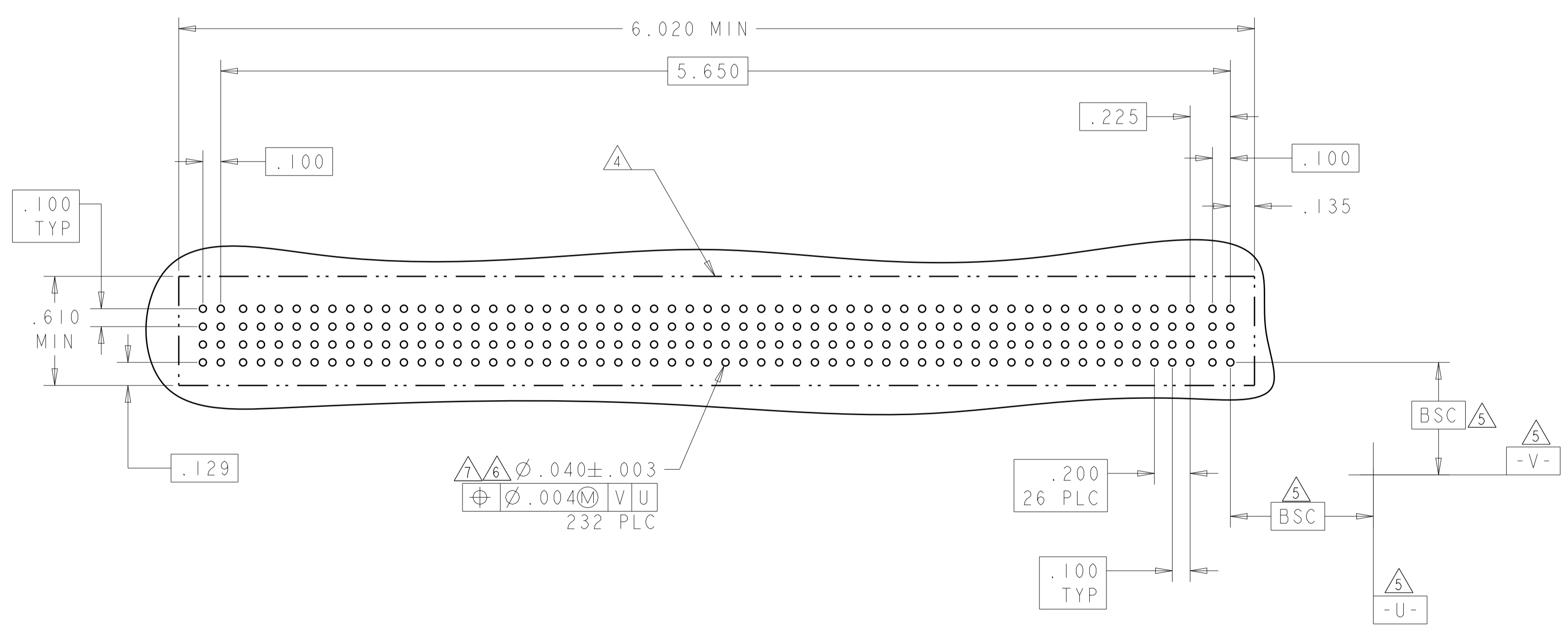
8S + 27P + 8S



PART NUMBER: 6450869-3

PART NUMBER	ROWS	SIGNAL		POWER																		S								
		3	2	P17	P16	P15	P14	P13	P12	P11	P10	P9	P8	P7	P6	P5	P4	P3	P2	P1	I									
6450869-3	D	P	P	VS	VS	VS	VS	VS	VS	VS	VS	VS	VS	VS	VS	VS	VS	VS	VS	VS	VS	VS	VS	VS	VS	VS	VS	VS	P	P
	C	P	P																										P	P
	B	P	P																										P	P
	A	P	P																										P	P

4S + 17HDP + 8S



THIS DRAWING IS A CONTROLLED DOCUMENT. DWG: H.LIU 30APR2008  
 CHK: S.ZHAO 30APR2008  
 APVD: S.YAO

DIMENSIONS: INCHES  
 TOLERANCES UNLESS OTHERWISE SPECIFIED:  
 0 PLC ±.  
 1 PLC ±.01  
 2 PLC ±.01  
 3 PLC ±.005  
 4 PLC ±.0020  
 ANGLES ±.7°  
 FINISH

MATERIAL: -  
 FINISH: -

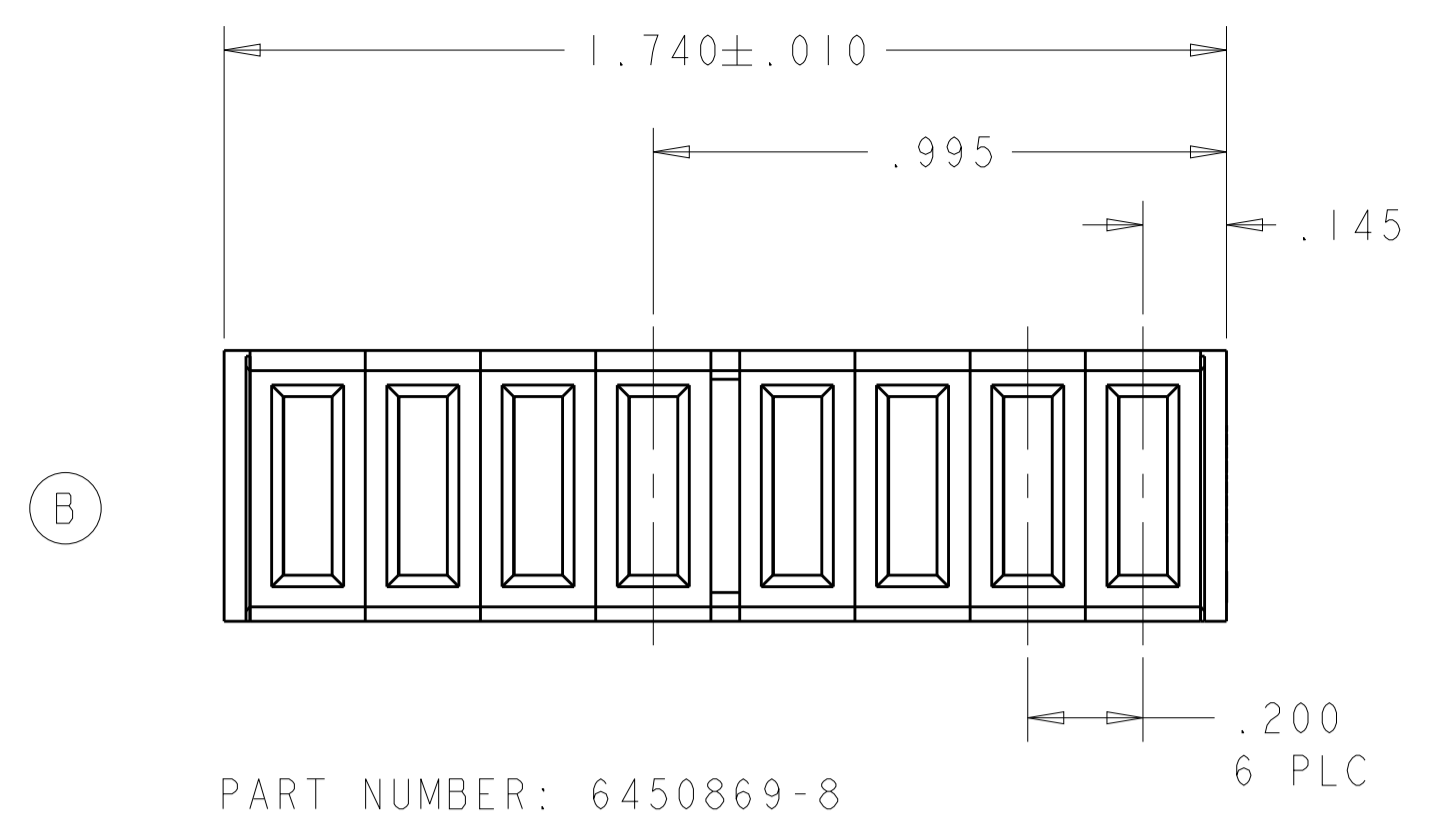
NAME: VERTICAL RECEPTACLE ASSEMBLY  
 PRODUCT SPEC: 108-2292  
 APPLICATION SPEC: 114-13038  
 WEIGHT: -

SCALE: 4:1  
 SHEET: 6 OF 10  
 REV: E2

STC TE Connectivity

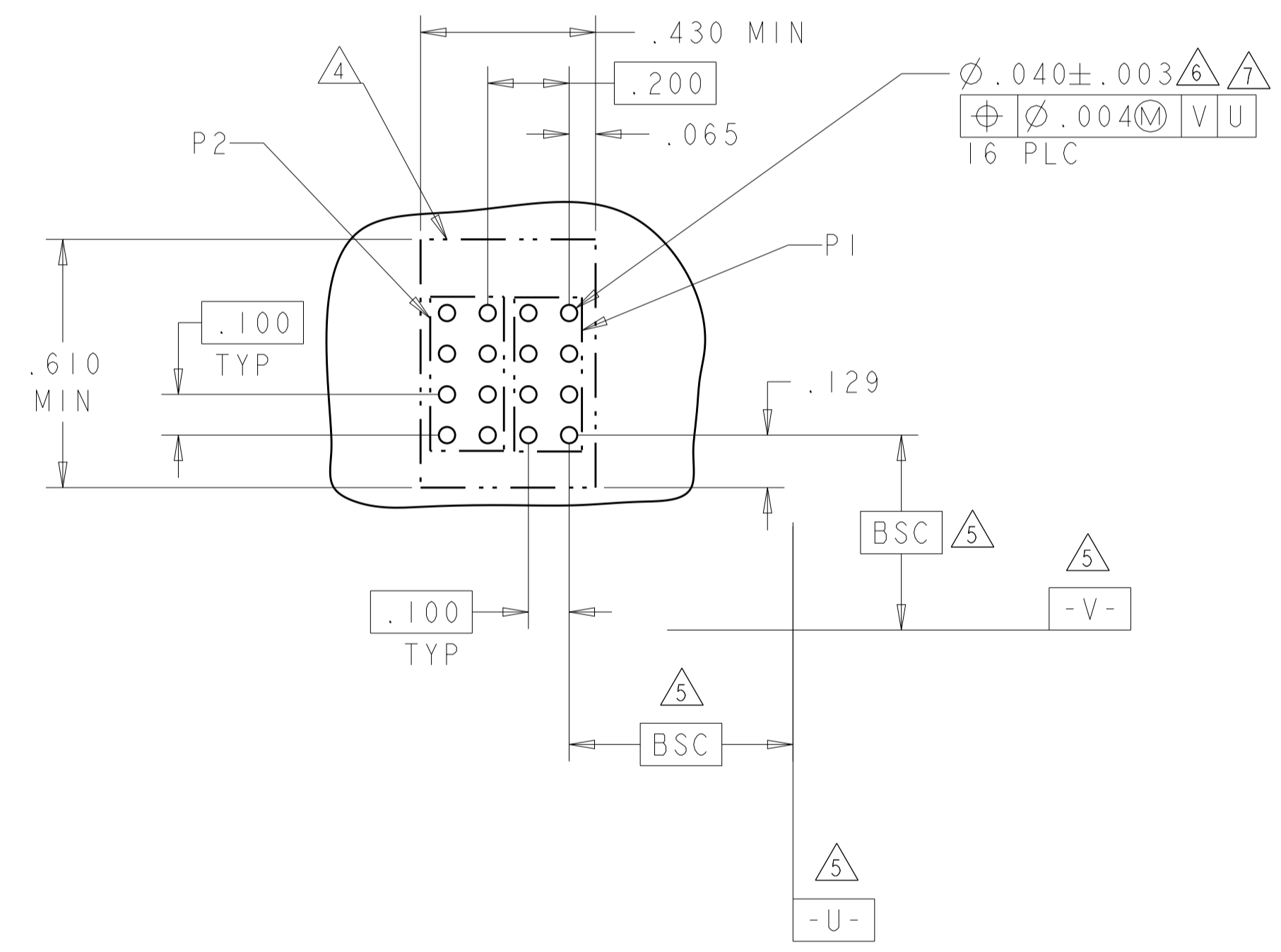
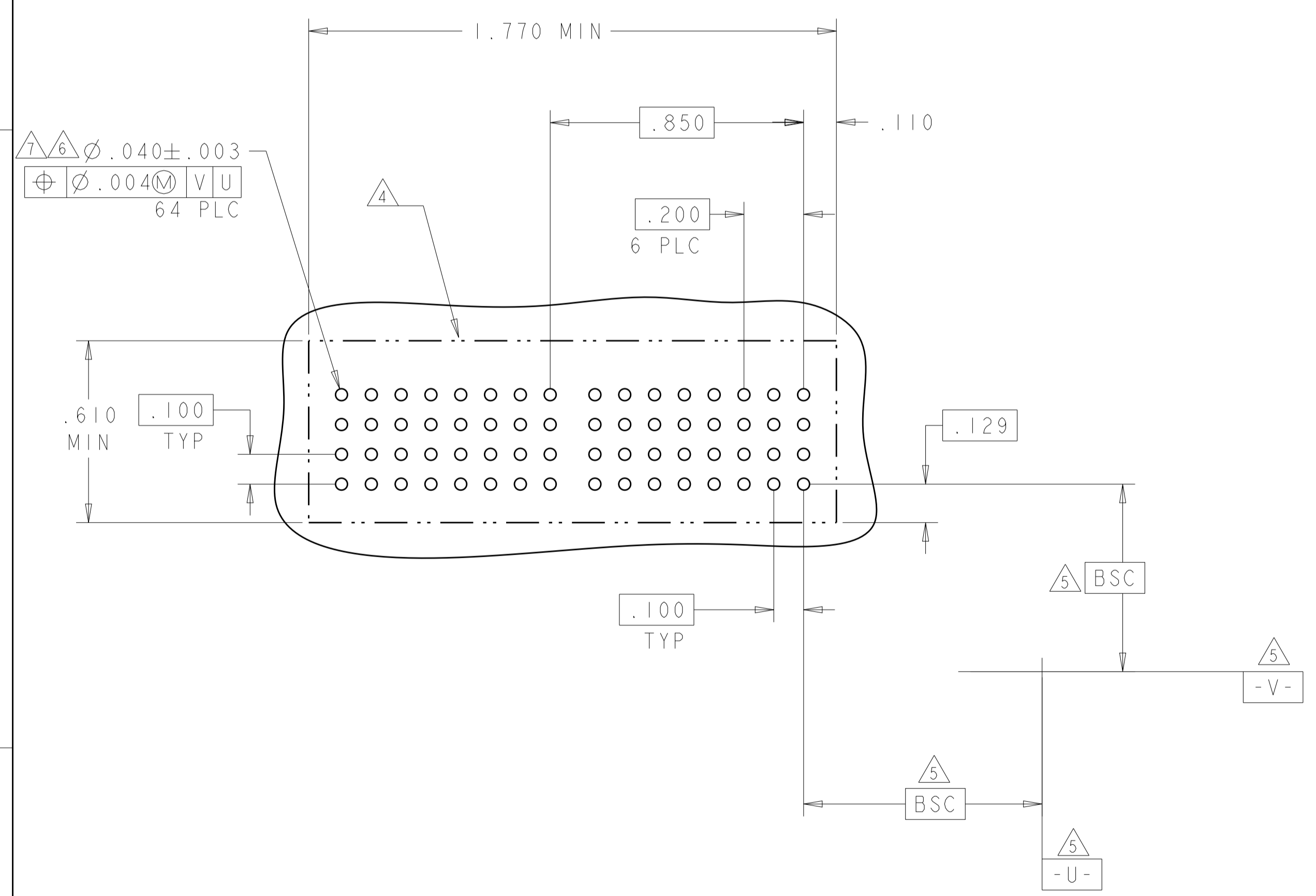
SIZE: A1  
 CAGE CODE: 6450869  
 CUSTOMER DRAWING

LOC	DIST	REVISIONS			
P	LTN	DESCRIPTION	DATE	DWN	APVD
-	-	SEE SHEET 1	-	-	-



PART NUMBER	POWER	
	P2	P1
1-6450869-3	GP	GS
2P		

PART NUMBER	ROWS	POWER							
		P8	P7	P6	P5	P4	P3	P2	P1
6450869-8	D								
	C	GS	GS	GS	GS	GS	GS	GS	GS
	B								
	A								
8P									



THIS DRAWING IS A CONTROLLED DOCUMENT. DWN: H.LIU 30APR2008  
 CHK: S.ZHAO 30APR2008  
 APVD: S.YAO

TE Connectivity

NAME: VERTICAL RECEPTACLE ASSEMBLY  
 NO GUIDES  
 MULTI-BEAM XLE

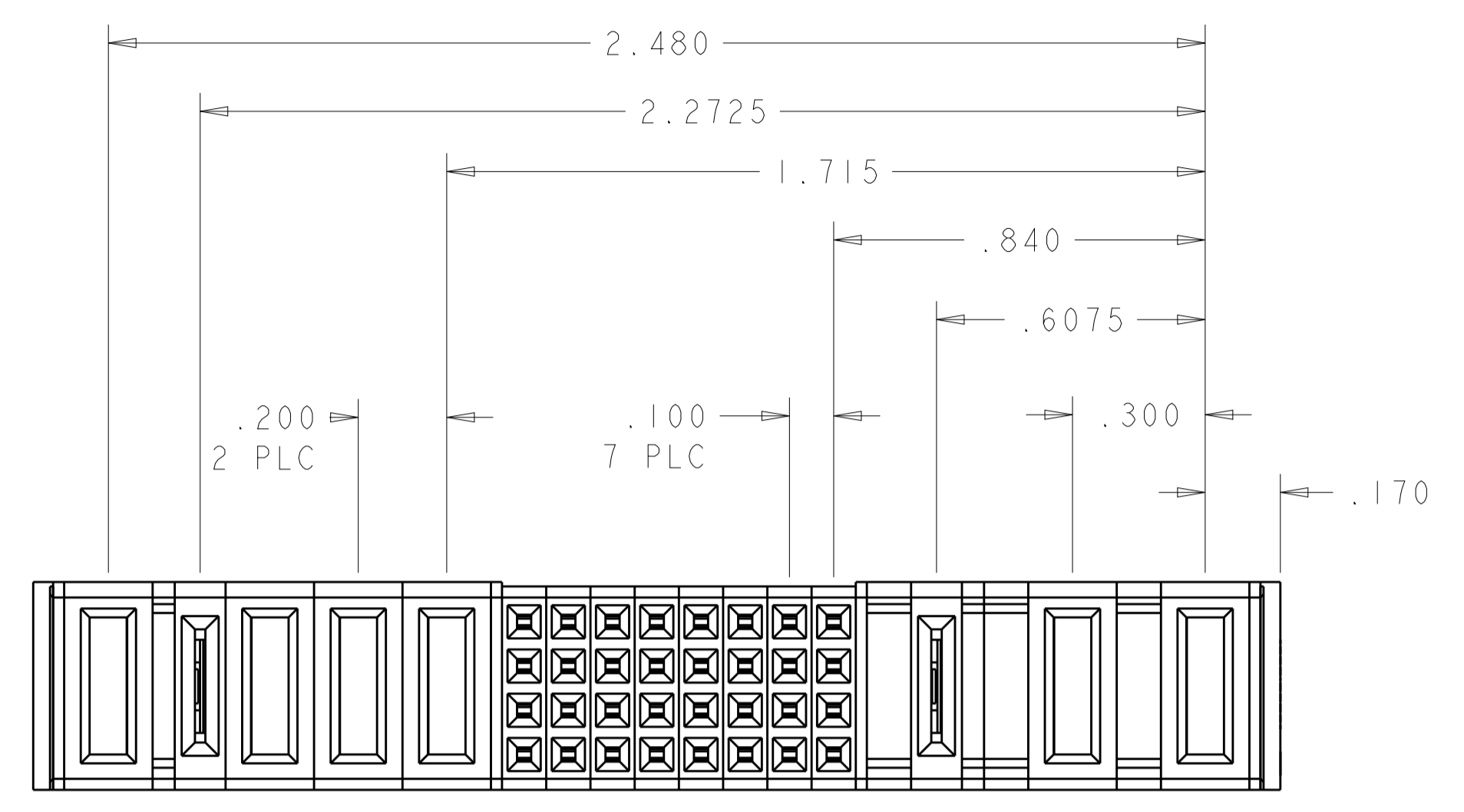
PRODUCT SPEC: 108-2292  
 APPLICATION SPEC: 114-13038

SIZE: A1 CAGE CODE: 6450869 DRAWING NO: 100779  
 WEIGHT: -

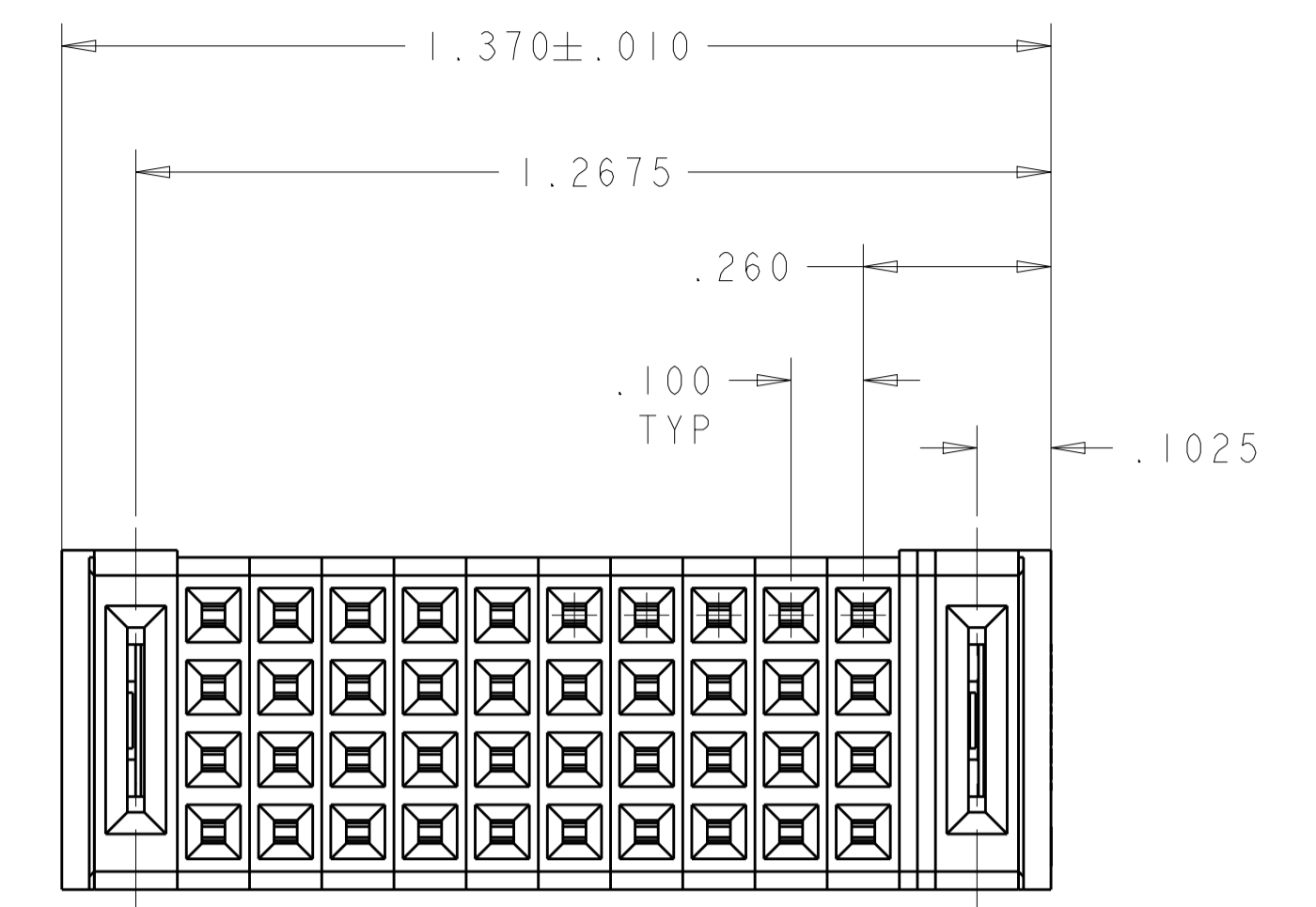
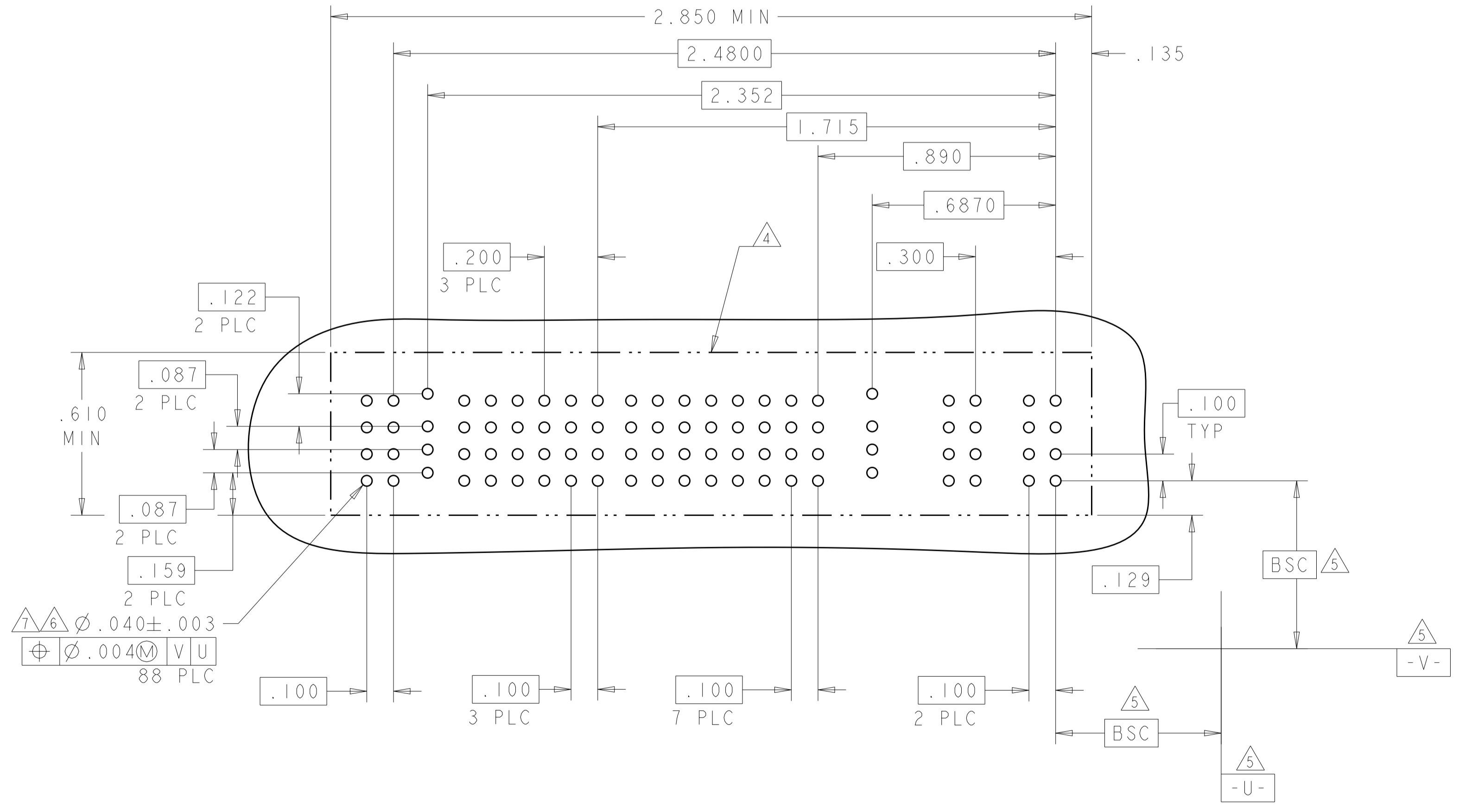
MATERIAL: - FINISH: -

CUSTOMER DRAWING SCALE: 4:1 SHEET 7 OF 10 REV: E2

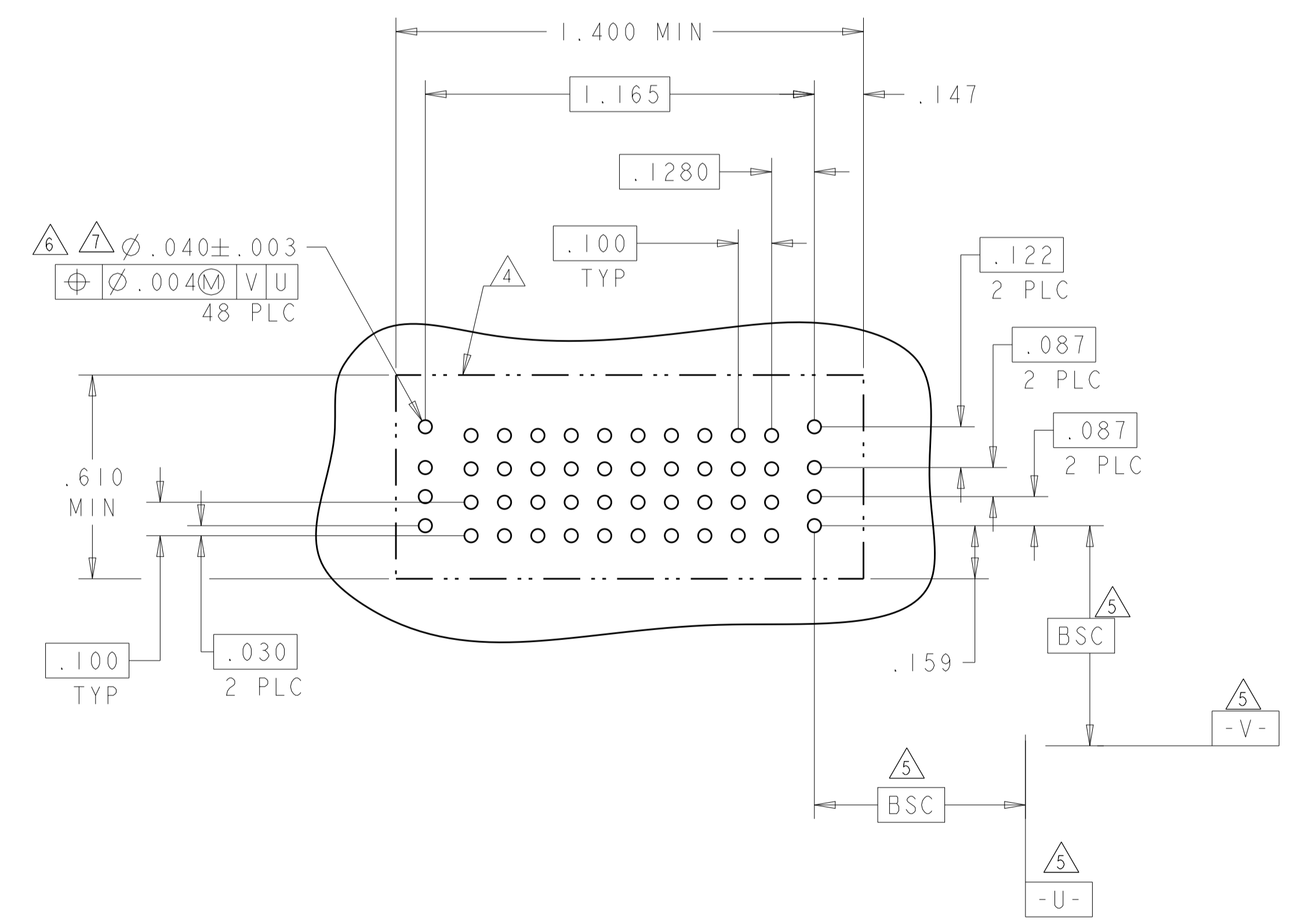
LOC	DIST	REVISIONS			
P	LTN	DESCRIPTION	DATE	OWN	APVD
-	-	SEE SHEET 1	-	-	-



PART NUMBER	ROWS	POWER					SIGNAL											POWER			
		P6	LP2	P5	P4	P3	8	7	6	5	4	3	2	1	LPI	P2	P1				
I-6450869-4	D						AP	AP	AP	AP	AP	AP	AP	AP	AP	AP	AP				
	C						AP	AP	AP	AP	AP	AP	AP	AP	AP	AP	AP				
	B	GS	LSI	GS	GS	GS	AP	AP	AP	AP	AP	AP	AP	AP	AP	AP	AP	LSI	GS	GS	
	A						AP	AP	AP	AP	AP	AP	AP	AP	AP	AP	AP				
2ACP + 1LP + 32S + 3HDP + 1LP + 1P																					



PART NUMBER	ROWS	LOW POWER		SIGNAL											LOW POWER			
		LP2	10	9	8	7	6	5	4	3	2	1	LPI					
I-6450869-5	D		AP	AP	AP	AP	AP	AP	AP	AP	AP	AP	AP	AP	AP	AP		
	C		AP	AP	AP	AP	AP	AP	AP	AP	AP	AP	AP	AP	AP	AP		
	B		AP	AP	AP	AP	AP	AP	AP	AP	AP	AP	AP	AP	AP	AP		
	A		AP	AP	AP	AP	AP	AP	AP	AP	AP	AP	AP	AP	AP	AP		
1LP + 40S + 1LP																		



THIS DRAWING IS A CONTROLLED DOCUMENT. DWN H.LIU 30APR2008  
 CHK S.ZHAO 30APR2008

DIMENSIONS: INCHES. TOLERANCES UNLESS OTHERWISE SPECIFIED:  
 0 PLC ±.  
 1 PLC ±.01  
 2 PLC ±.01  
 3 PLC ±.005  
 4 PLC ±.002  
 ANGLES ±.020  
 FINISH

MATERIAL: . . . . .

APVD: S. YAO

PRODUCT SPEC: 108-2292  
 APPLICATION SPEC: 114-13038

WEIGHT: . . . . .

CUSTOMER DRAWING

NAME: VERTICAL RECEPTACLE ASSEMBLY NO GUIDES MULTI-BEAM XLE

SIZE: A1  
 CAGE CODE: 6450869  
 DRAWING NO: 100779

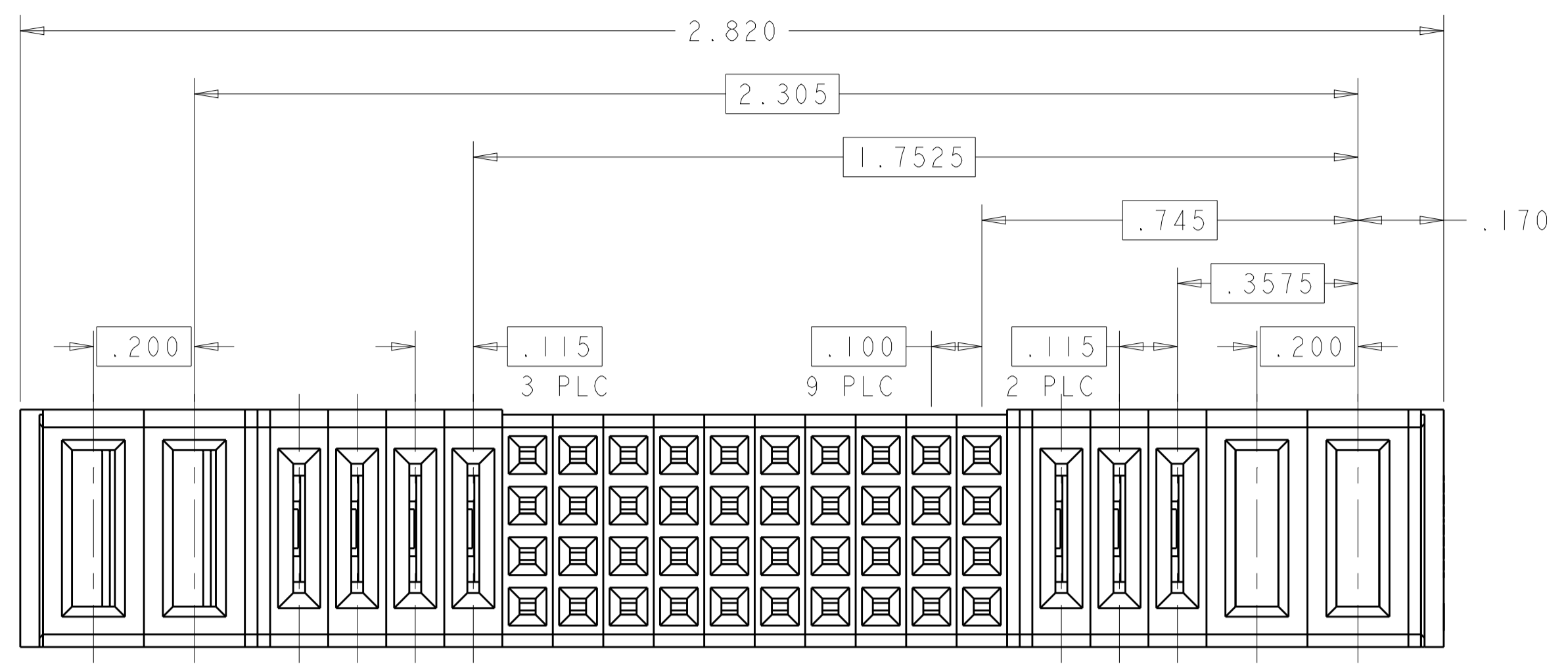
RESTRICTED TO: . . . . .

SCALE: 4:1  
 SHEET: 8 OF 10  
 REV: E2

TE Connectivity

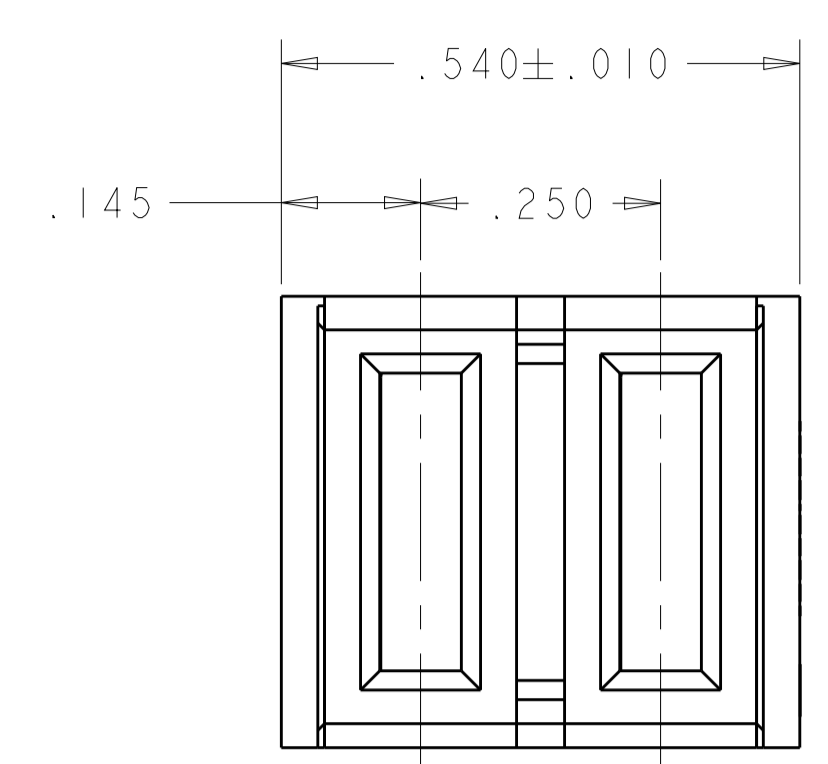


LOC		DIST		REVISIONS			
ES	00	P	LTH	DESCRIPTION	DATE	DWN	APVD
				SEE SHEET 1			

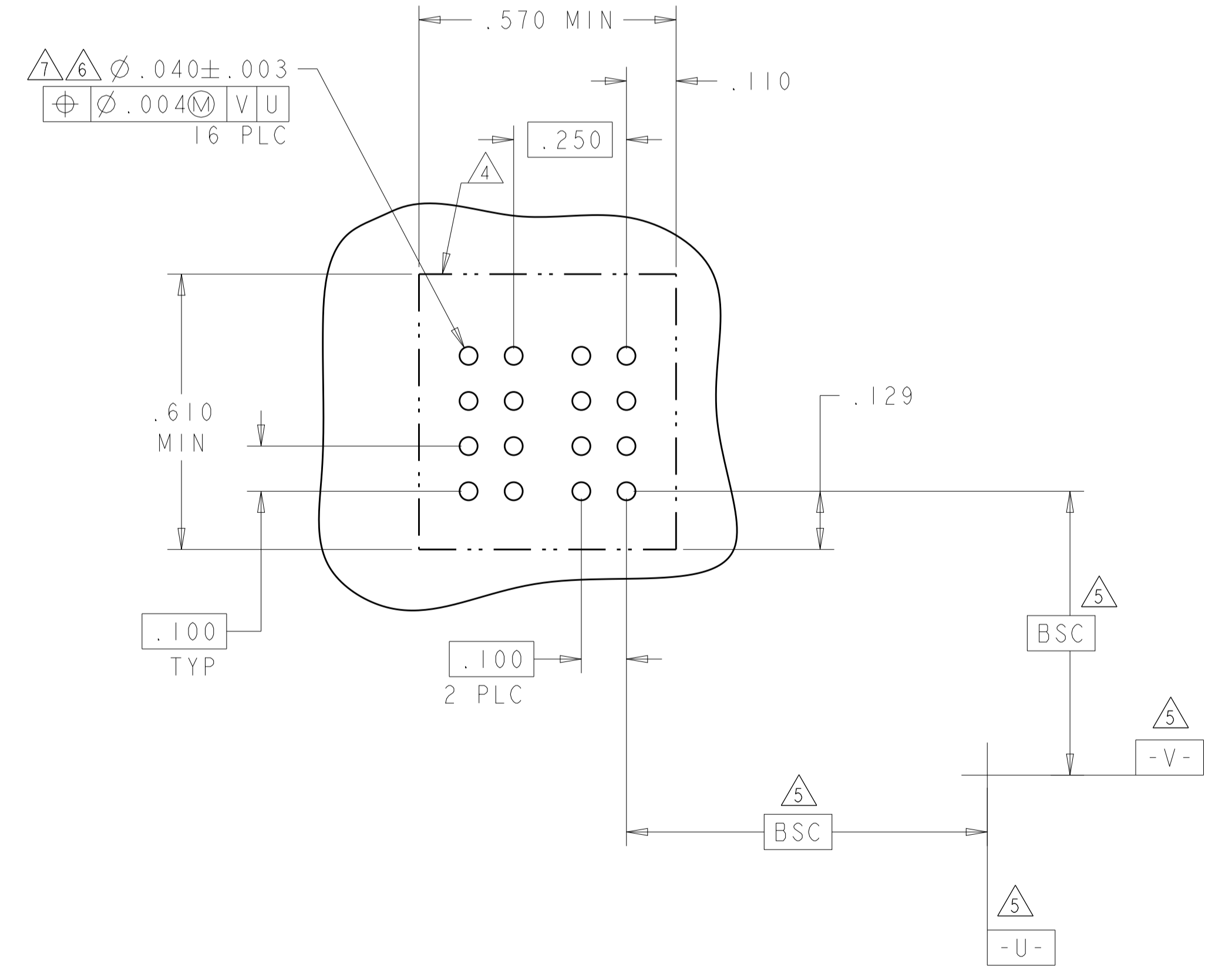
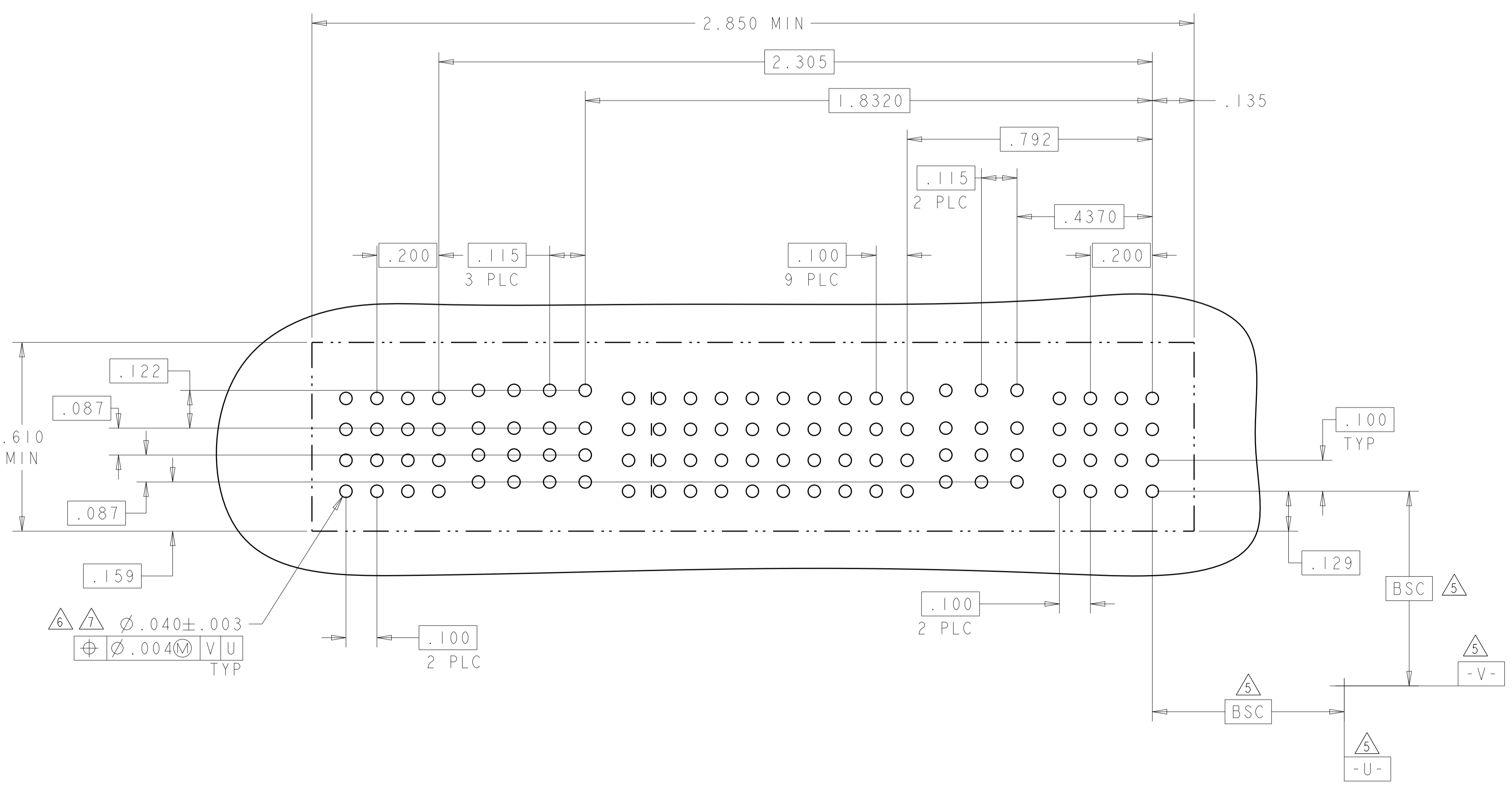


PART NUMBER	ROWS	POWER				SIGNAL										POWER						
		P4	P3	LP7	LP6	LP5	LP4	10	9	8	7	6	5	4	3	2	1	LP3	LP2	LP1	P2	P1
1-6450869-6	D						AP	AP	AP	AP	AP	AP	AP	AP	AP	AP	AP					
	C	GS	GS	LSI	LSI	LSI	AP	AP	AP	AP	AP	AP	AP	AP	AP	AP	AP	LSI	LSI	LSI	GS	GS
	B						AP	AP	AP	AP	AP	AP	AP	AP	AP	AP	AP					
	A						AP	AP	AP	AP	AP	AP	AP	AP	AP	AP	AP					

2HDP + 3LP + 40S + 4LP + 2HDP



PART NUMBER	POWER	
	P2	P1
1-6450869-7	GS	GS
2P		



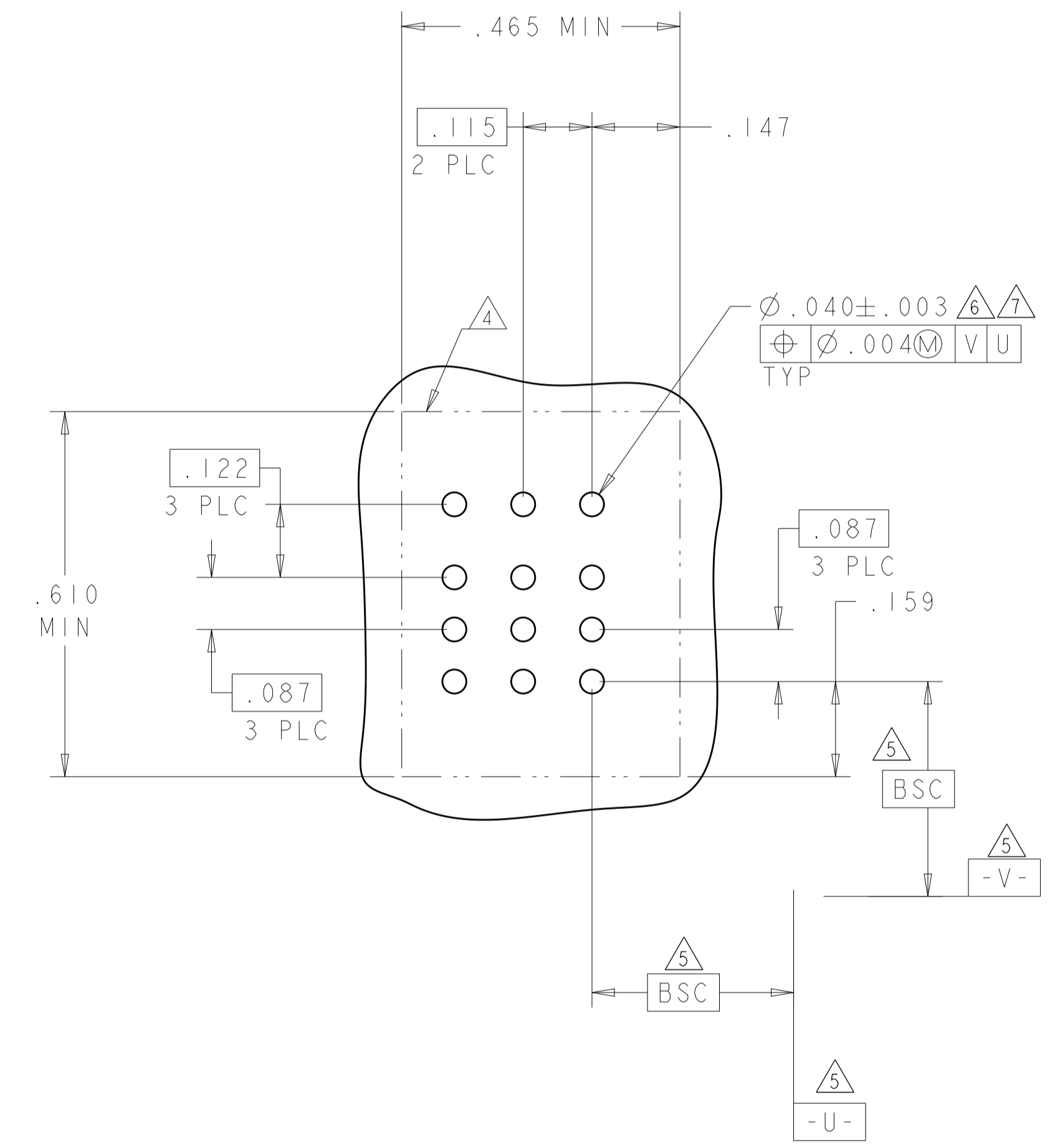
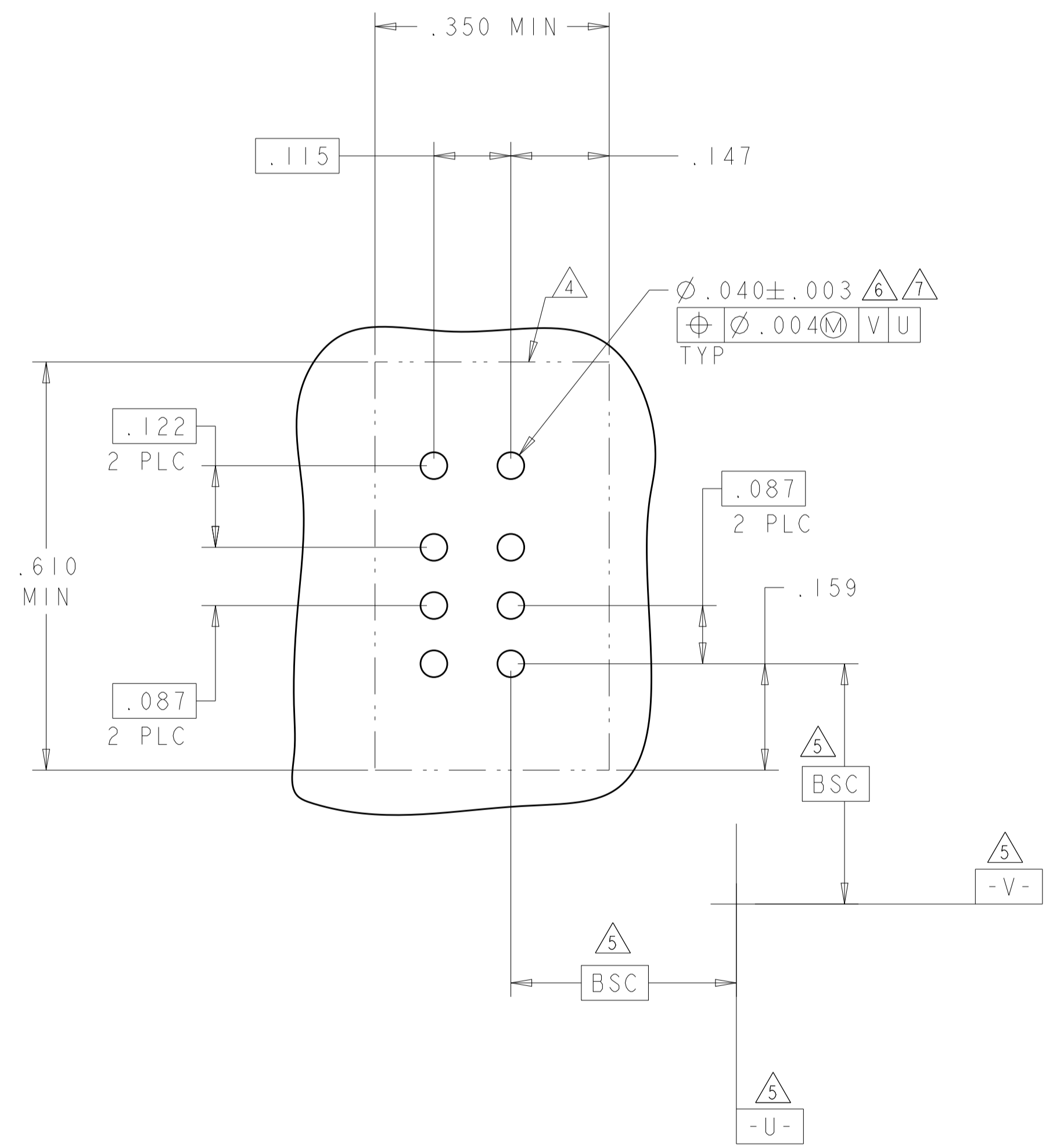
DIMENSIONS:		TOLERANCES UNLESS OTHERWISE SPECIFIED:		MATERIAL:		FINISH:	
INCHES		0 PLC	±				
		1 PLC	±.01				
		2 PLC	±.05				
		3 PLC	±.0020				
		4 PLC	±.0020				
		ANGLES	±.0020				

THIS DRAWING IS A CONTROLLED DOCUMENT.		DWN: H.LIU 30APR2008	TE Connectivity
		CHK: S.ZHAO 30APR2008	
PRODUCT SPEC		NAME: S. YAO	VERTICAL RECEPTACLE ASSEMBLY NO GUIDES MULTI-BEAM XLE
APPLICATION SPEC		SIZE: CAGE CODE: DRAWING NO:	
CUSTOMER DRAWING		SCALE: 4:1	RESTRICTED TO:

LOC	DIST	REVISIONS			
P	LTN	DESCRIPTION	DATE	DMN	APVD
ES	00	SEE SHEET 1	-	-	-

PART NUMBER	LOW POWER	
	LP2	LP1
2-6450869-2	LS1	LS1
2LP		

PART NUMBER	LOW POWER		
	LP3	LP2	LP1
2-6450869-3	LS1	LS1	LS1
3 LP			



THIS DRAWING IS A CONTROLLED DOCUMENT.		DMN H.LIU 30APR2008	
DIMENSIONS: INCHES		CHK S.ZHAO 30APR2008	
TOLERANCES UNLESS OTHERWISE SPECIFIED:		APVD S.YAO	NAME
0 PLC ±	1 PLC ±.01	PRODUCT SPEC	VERTICAL RECEPTACLE ASSEMBLY
2 PLC ±.01	3 PLC ±.005	108-2292	NO GUIDES
4 PLC ±.0020	ANGLES ±.020	APPLICATION SPEC	MULTI-BEAM XLE
FINISH		114-13038	SIZE CAGE CODE DRAWING NO RESTRICTED TO
MATERIAL		WEIGHT	A100779C=6450869
CUSTOMER DRAWING		SCALE 4:1	SHEET 10 OF 10 REV E2

Компания «Life Electronics» занимается поставками электронных компонентов импортного и отечественного производства от производителей и со складов крупных дистрибьюторов Европы, Америки и Азии.

С конца 2013 года компания активно расширяет линейку поставок компонентов по направлению коаксиальный кабель, кварцевые генераторы и конденсаторы (керамические, пленочные, электролитические), за счёт заключения дистрибьюторских договоров

Мы предлагаем:

- Конкурентоспособные цены и скидки постоянным клиентам.
- Специальные условия для постоянных клиентов.
- Подбор аналогов.
- Поставку компонентов в любых объемах, удовлетворяющих вашим потребностям.
- Приемлемые сроки поставки, возможна ускоренная поставка.
- Доставку товара в любую точку России и стран СНГ.
- Комплексную поставку.
- Работу по проектам и поставку образцов.
- Формирование склада под заказчика.
- Сертификаты соответствия на поставляемую продукцию (по желанию клиента).
- Тестирование поставляемой продукции.
- Поставку компонентов, требующих военную и космическую приемку.
- Входной контроль качества.
- Наличие сертификата ISO.

В составе нашей компании организован Конструкторский отдел, призванный помогать разработчикам, и инженерам.

Конструкторский отдел помогает осуществить:

- Регистрацию проекта у производителя компонентов.
- Техническую поддержку проекта.
- Защиту от снятия компонента с производства.
- Оценку стоимости проекта по компонентам.
- Изготовление тестовой платы монтаж и пусконаладочные работы.



Тел: +7 (812) 336 43 04 (многоканальный)

Email: [org@lifeelectronics.ru](mailto:org@lifeelectronics.ru)