

Terminations

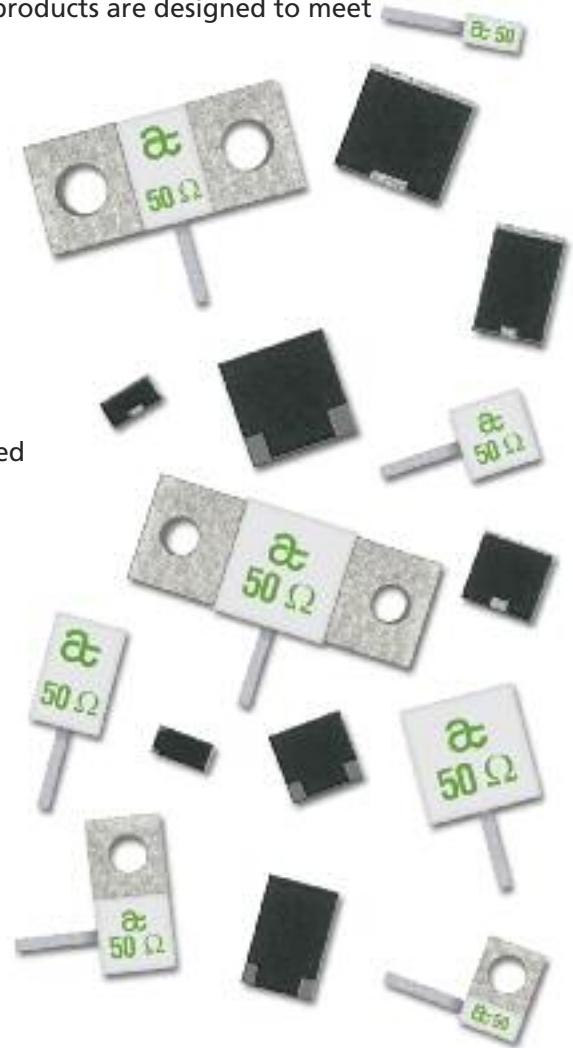
American Technical Ceramics introduces its complete line of High Power Termination Products. All Products are designed and manufactured at our ISO 9001 Facilities. All products are designed to meet MIL-PRF-55342 and ATC qualification procedure JP625-4102.

Electrical Specifications

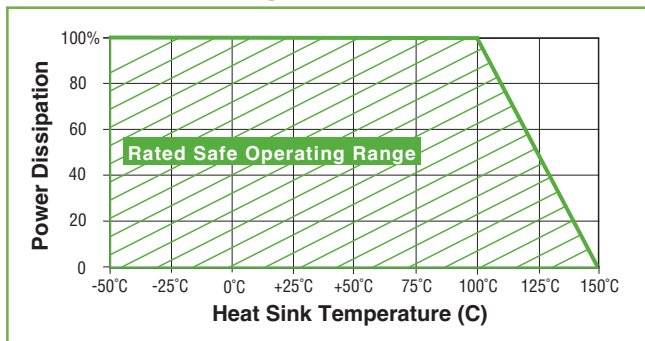
- **Resistance:** 50 Ω standard (10 Ω - 200 Ω available)
- **Resistance Tolerance:** $\pm 5\%$ standard ($\pm 2\%$ available)
- **Power:** 10 Watts through 250 Watts
- **Operating Temperature Range:** -55°C - $+150^{\circ}\text{C}$
- **Temperature Coefficient:** < 150 ppm/ $^{\circ}\text{C}$
- **Low VSWR**

Mechanical Specifications

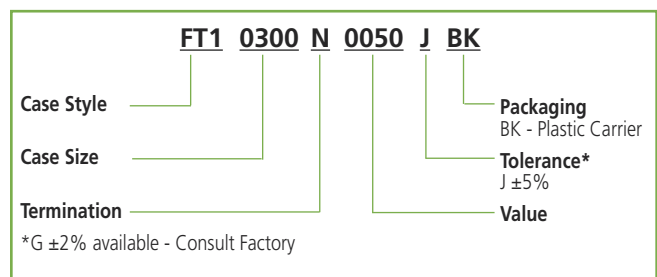
- **Package:** Surface Mount Chips, Chips, Leaded Chips, Flanged
- **Substrate Material:** Aluminum Nitride
- **Process:** Thin Film
- **Resistive Material:** Tantalum
- **Terminals:** Silver
- **Cover:** Alumina
- **Mounting Flange:** 100% Cu, Ni or Ag Plated
- **Mechanical Tolerance:** $\pm .005$
- **Lead-Free, RoHS Compliant**
- **SMT and Chip products, supplied on Tape and Reel**



Power Derating



ATC Flange Mount Terminations Part Number Code



Sales of ATC products are subject to the terms and conditions contained in American Technical Ceramics Corp. Terms and Conditions of Sale (ATC document #001-992 Rev. B 12/05). Copies of these terms and conditions will be provided upon request. They may also be viewed on ATC's website at www.atceramics.com/productfinder/default.asp. Click on the link for Terms and Conditions of Sale.

ATC has made every effort to have this information as accurate as possible. However, no responsibility is assumed by ATC for its use, nor for any infringements of rights of third parties which may result from its use. ATC reserves the right to revise the content or modify its product without prior notice.

© 2012 American Technical Ceramics Corp. All Rights Reserved.

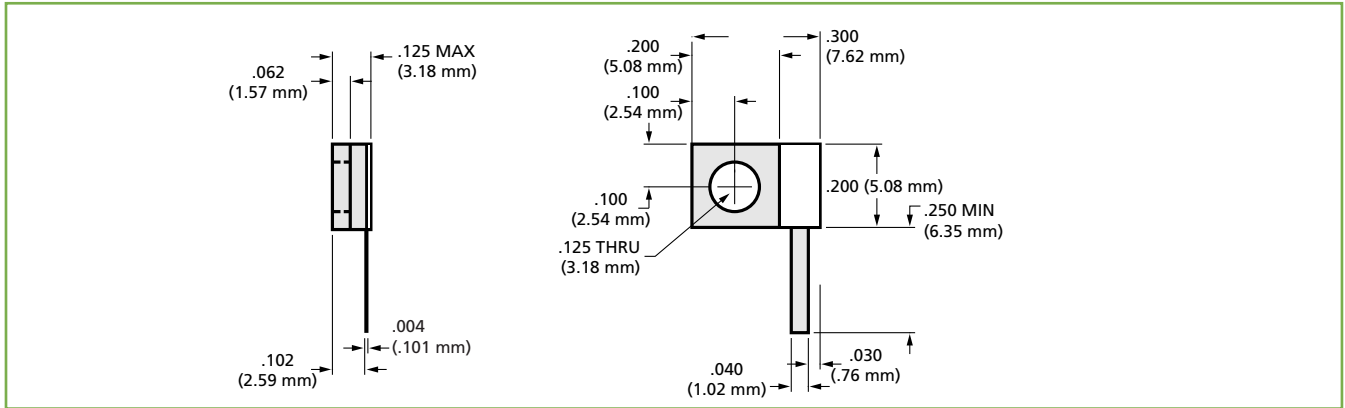
Excerpt from ATC # 001-944; Rev. U, 11/14

High Power, Flange Mount Termination

P/N: FT10300N0050J

Electrical Specifications

- Nominal Impedance: 50 Ω ±5% standard (other Ω values available)
- Power: 20 Watts
- Frequency: DC to 6 GHz
- VSWR: 1.15:1 @ 4 GHz, 1.25:1 @ 6 GHz,
- Operating Temperature Range: -55°C to +150°C
- Temperature Coefficient: <150 ppm/°C
- Tabs: Silver
- Lead-Free, RoHS Compliant

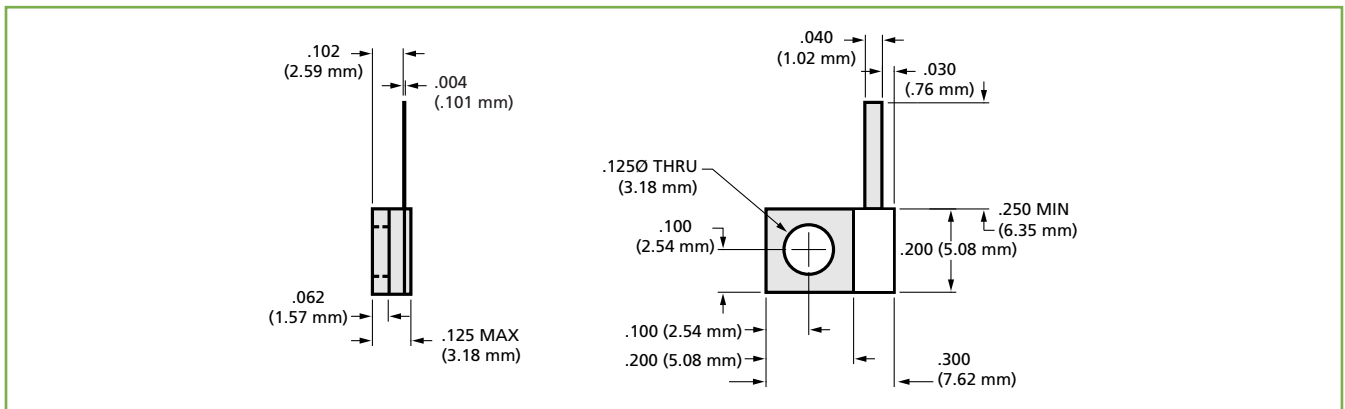


High Power, Flange Mount Termination

P/N: FT10301N0050J

Electrical Specifications

- Nominal Impedance: 50 Ω ±5% standard (other Ω values available)
- Power: 20 Watts
- Frequency: DC to 6 GHz
- VSWR: 1.15:1 @ 4 GHz, 1.25:1 @ 6 GHz,
- Operating Temperature Range: -55°C to +150°C
- Temperature Coefficient: <150 ppm/°C
- Tabs: Silver
- Lead-Free, RoHS Compliant



For Part Number Code, see page 1.

A M E R I C A N T E C H N I C A L C E R A M I C S

ATC North America
sales@atceramics.com

ATC Europe
sales@atceramics.com

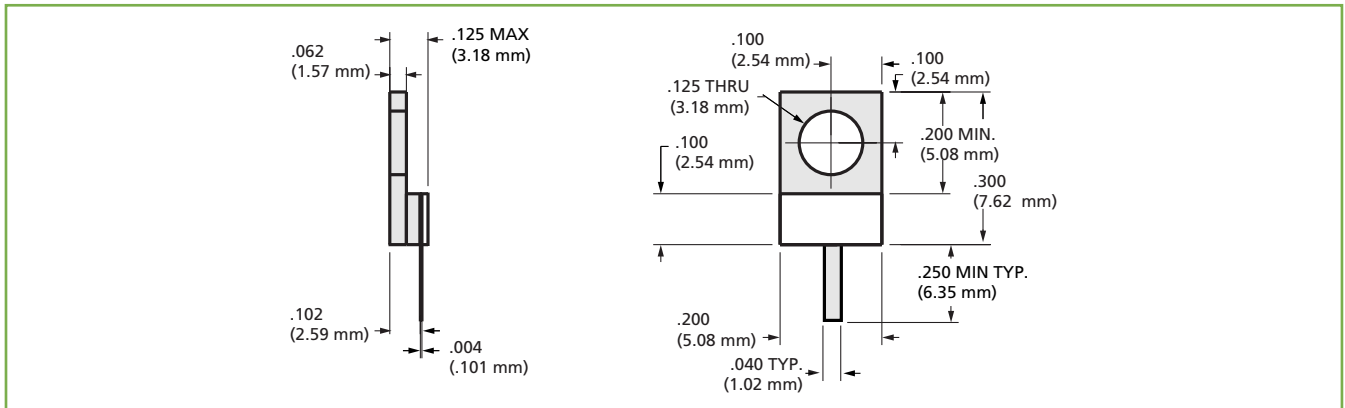
ATC Asia
sales@atceramics-asia.com

High Power, Flange Mount Termination

P/N: FT10302N0050J

Electrical Specifications

- Nominal Impedance: 50 Ω ±5% standard (other Ω values available)
- Power: 20 Watts
- Frequency: DC to 18 GHz
- VSWR: 1.15:1 @ 15 GHz, 1.25:1 @ 18 GHz
- Operating Temperature Range: -55°C to +150°C
- Temperature Coefficient: <150 ppm/°C
- Tabs: Silver
- Lead-Free, RoHS Compliant

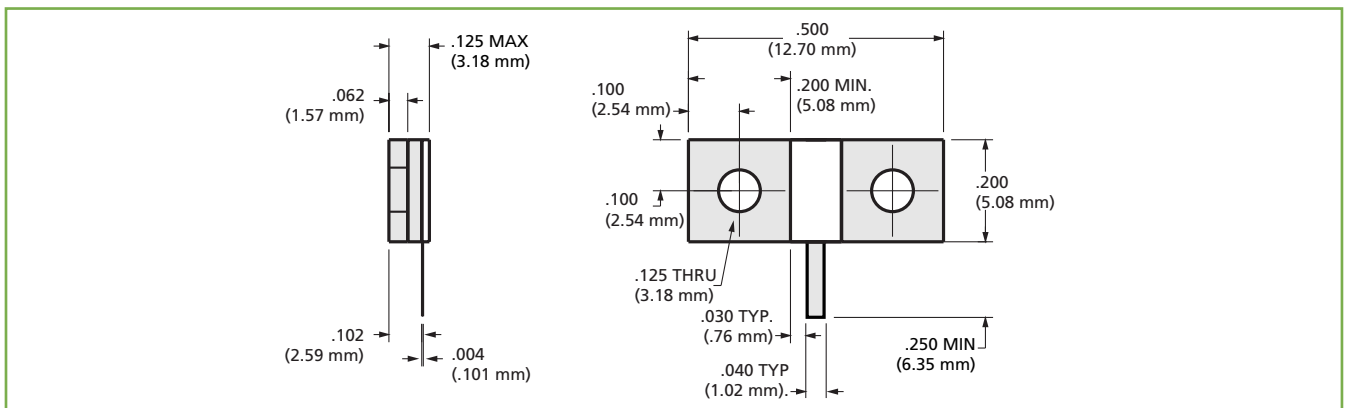


High Power, Flange Mount Termination

P/N: FT10500N0050J

Electrical Specifications

- Nominal Impedance: 50 Ω ±5% standard (other Ω values available)
- Power: 25 Watts
- Frequency: DC to 6.0 GHz
- VSWR: 1.15:1 @ 4 GHz, 1.25:1 @ 6 GHz
- Operating Temperature Range: -55°C to +150°C
- Temperature Coefficient: <150 ppm/°C
- Tabs: Silver
- Lead-Free, RoHS Compliant



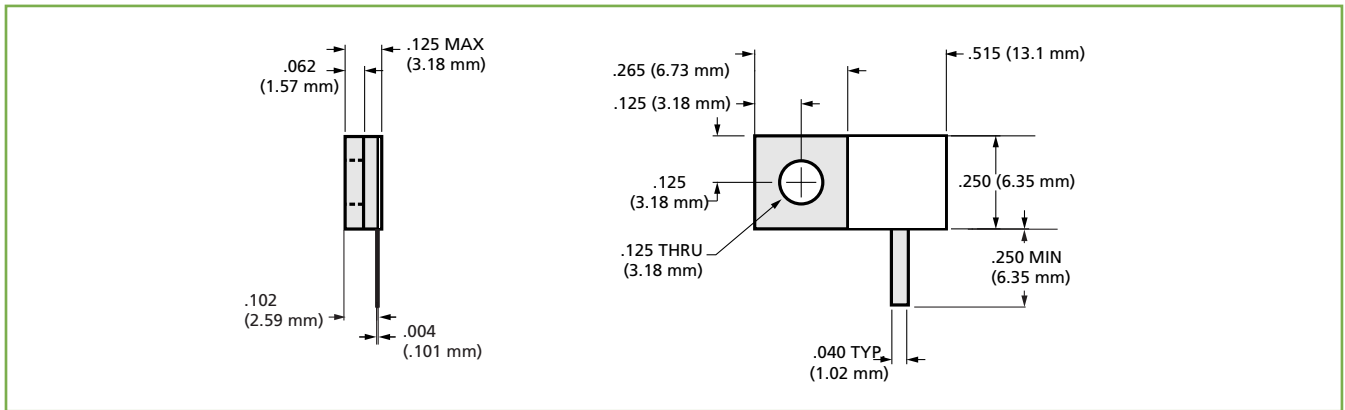
For Part Number Code, see page 1.

High Power, Flange Mount Termination

P/N: FT10515N0050J

Electrical Specifications

- **Nominal Impedance:** 50 Ω ±5% standard (other Ω values available)
- **Power:** 60 Watts
- **Frequency:** DC to 6.0 GHz
- **VSWR:** 1.20:1 @ 4 GHz, 1.30:1 @ 6 GHz
- **Operating Temperature Range:** -55°C to +150°C
- **Temperature Coefficient:** <150 ppm/°C
- **Tabs:** Silver
- **Lead-Free, RoHS Compliant**

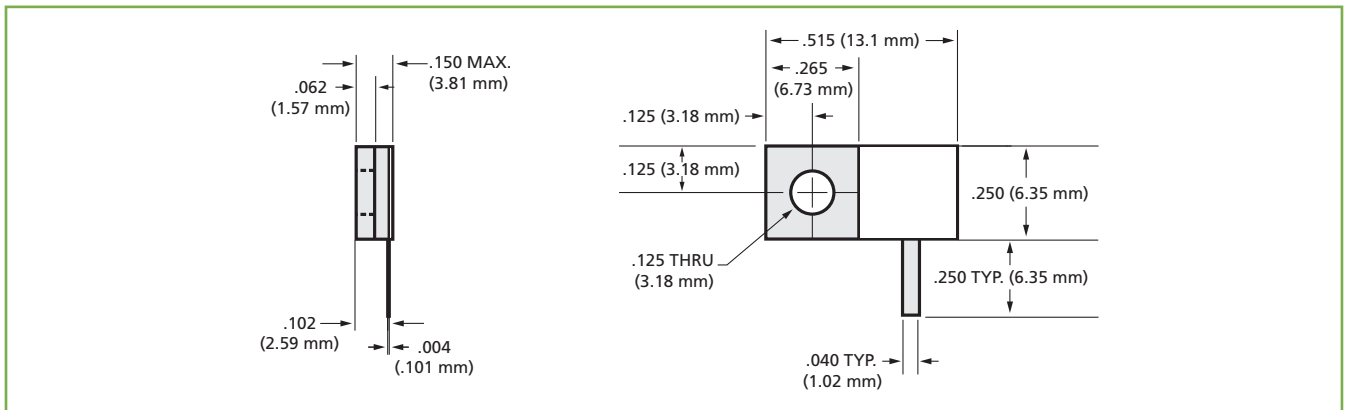


High Power, Flange Mount Termination

P/N: FT10515N0050J01

Electrical Specifications

- **Nominal Impedance:** 50 Ω ±5% standard (other Ω values available)
- **Power:** 100 Watts
- **Frequency:** DC to 2.5 GHz
- **VSWR:** 1.15:1
- **Operating Temperature Range:** -55°C to +150°C
- **Temperature Coefficient:** <150 ppm/°C
- **Tabs:** Silver
- **Lead-Free, RoHS Compliant**



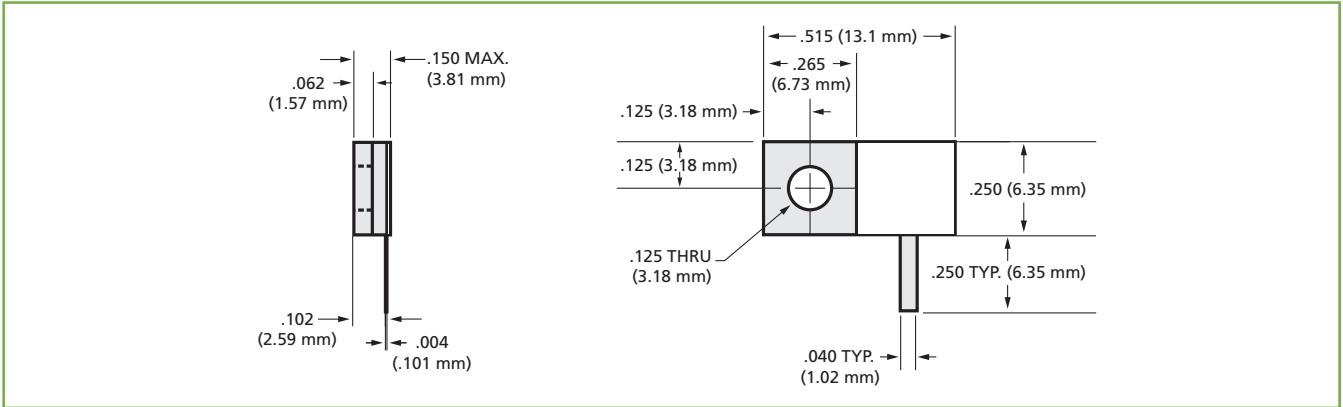
For Part Number Code, see page 1.

High Power, Flange Mount Termination

P/N: FT10515N0050J02

Electrical Specifications

- **Nominal Impedance:** 50 Ω \pm 5% standard (other Ω values available)
- **Power:** 100 Watts
- **Frequency:** DC to 4 GHz
- **VSWR:** 1.20:1
- **Operating Temperature Range:** -55°C to +150°C
- **Temperature Coefficient:** <150 ppm/°C
- **Tabs:** Silver
- **Lead-Free, RoHS Compliant**

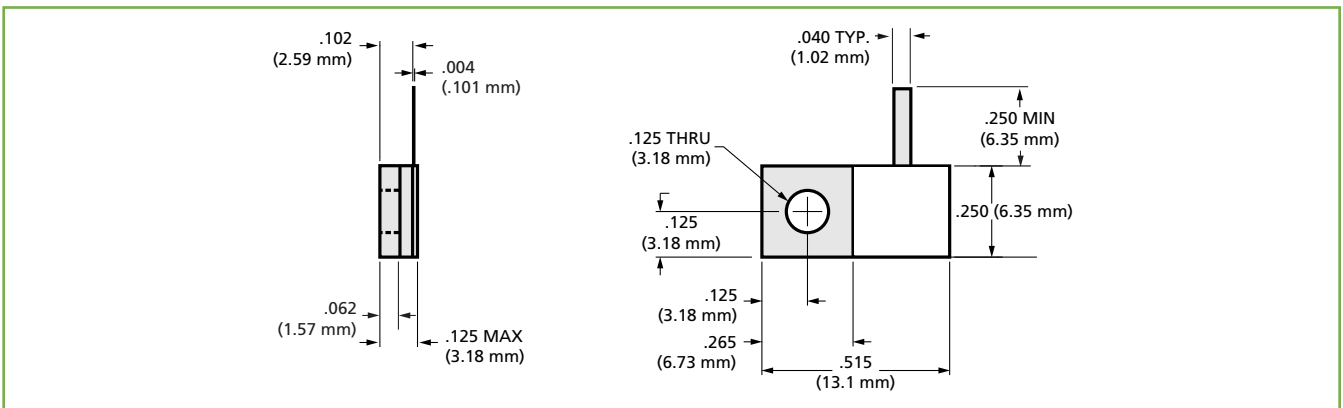


High Power, Flange Mount Termination

P/N: FT10516N0050J

Electrical Specifications

- **Nominal Impedance:** 50 Ω \pm 5% standard (other Ω values available)
- **Power:** 60 Watts
- **Frequency:** DC to 6 GHz
- **VSWR:** 1.20:1 @ 4 GHz, 1.30:1 @ 6 GHz
- **Operating Temperature Range:** -55°C to +150°C
- **Temperature Coefficient:** <150 ppm/°C
- **Tabs:** Silver
- **Lead-Free, RoHS Compliant**



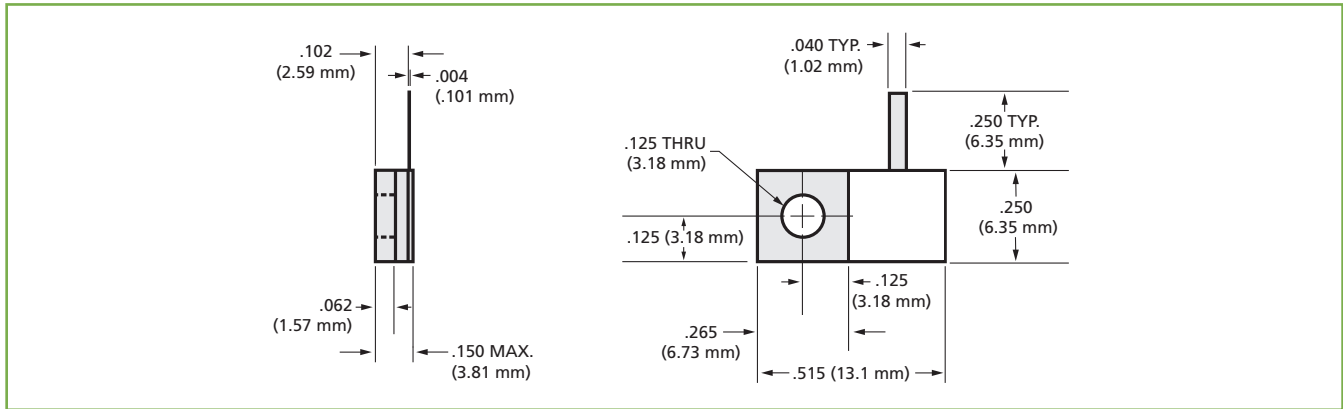
For Part Number Code, see page 1.

High Power, Flange Mount Termination

P/N: FT10516N0050J01

Electrical Specifications

- Nominal Impedance: 50 Ω \pm 5% standard (other Ω values available)
- Power: 100 Watts
- Frequency: DC to 2.5 GHz
- VSWR: 1.15:1
- Operating Temperature Range: -55°C to +150°C
- Temperature Coefficient: <150 ppm/°C
- Tabs: Silver
- Lead-Free, RoHS Compliant

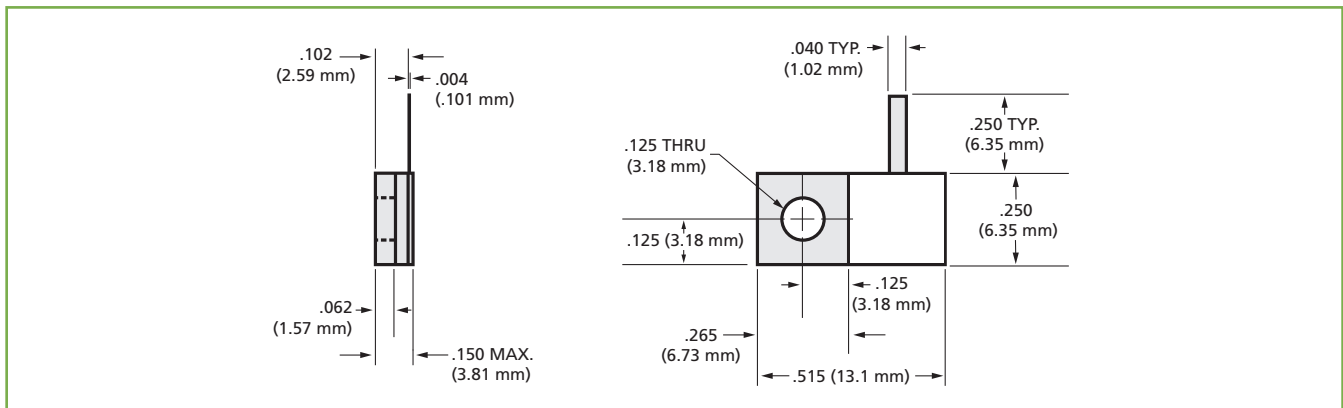


High Power, Flange Mount Termination

P/N: FT10516N0050J02

Electrical Specifications

- Nominal Impedance: 50 Ω \pm 5% standard (other Ω values available)
- Power: 100 Watts
- Frequency: DC to 4 GHz
- VSWR: 1.20:1
- Operating Temperature Range: -55°C to +150°C
- Temperature Coefficient: <150 ppm/°C
- Tabs: Silver
- Lead-Free, RoHS Compliant



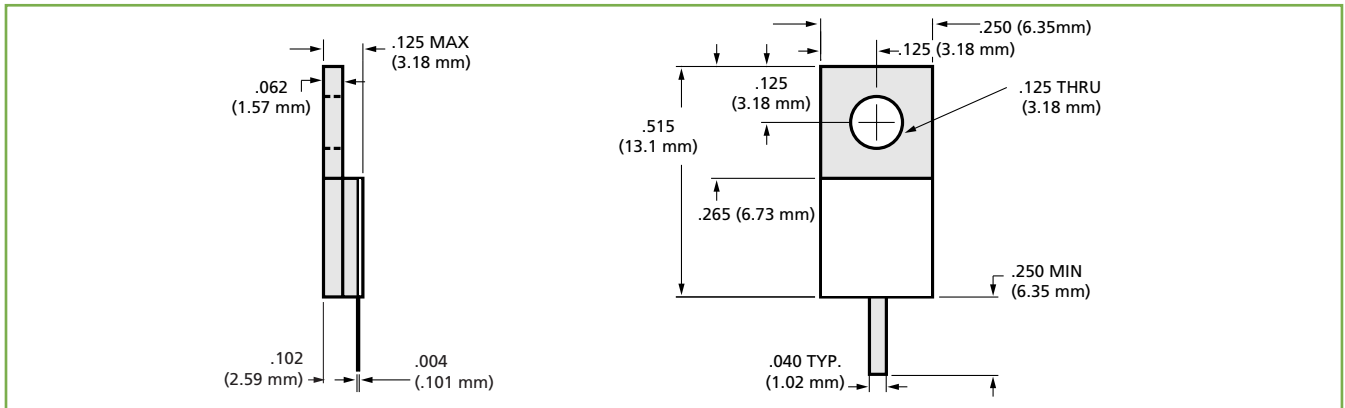
For Part Number Code, see page 1.

High Power, Flange Mount Termination

P/N: FT10517N0050J

Electrical Specifications

- Nominal Impedance: 50 Ω ±5% standard (other Ω values available)
- Power: 60 Watts
- Frequency: DC to 4 GHz
- VSWR: 1.20:1 @ 4 GHz, 1.30:1 @ 6 GHz
- Operating Temperature Range: -55°C to +150°C
- Temperature Coefficient: <150 ppm/°C
- Tabs: Silver
- Lead-Free, RoHS Compliant

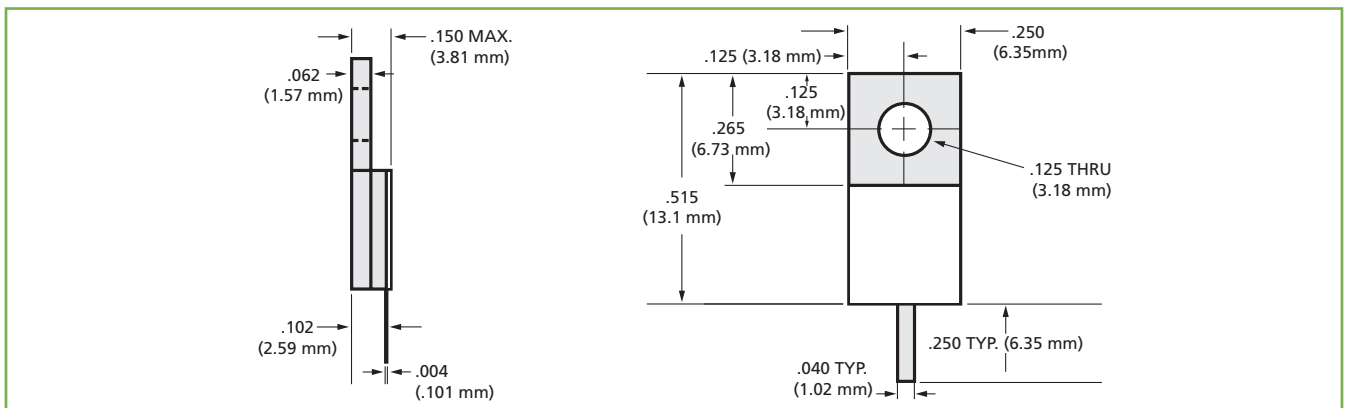


High Power, Flange Mount Termination

P/N: FT10517N0050J01

Electrical Specifications

- Nominal Impedance: 50 Ω ±5% standard (other Ω values available)
- Power: 100 Watts
- Frequency: DC to 2.5 GHz
- VSWR: 1.15:1
- Operating Temperature Range: -55°C to +150°C
- Temperature Coefficient: <150 ppm/°C
- Tabs: Silver
- Lead-Free, RoHS Compliant



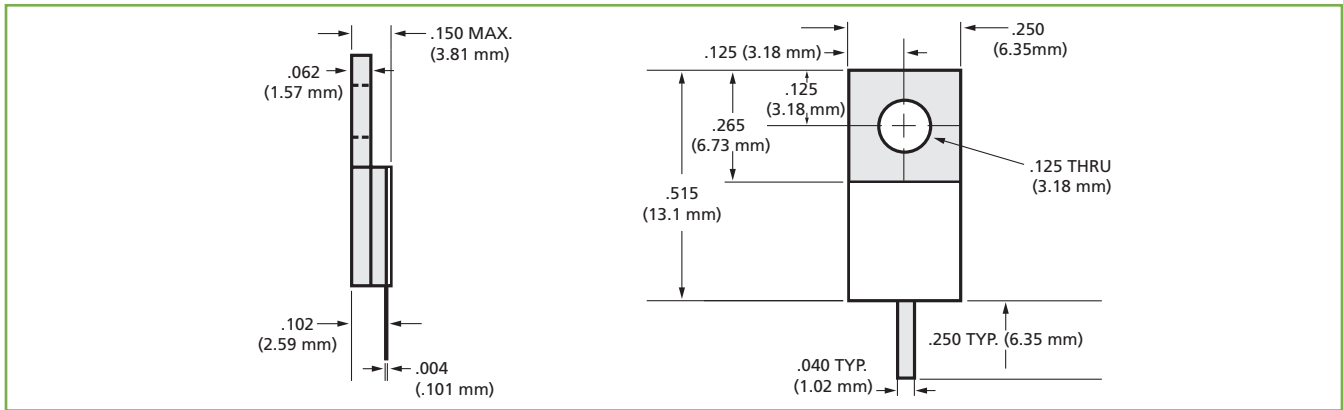
For Part Number Code, see page 1.

High Power, Flange Mount Termination

P/N: FT10517N0050J02

Electrical Specifications

- Nominal Impedance: 50 Ω \pm 5% standard (other Ω values available)
- Power: 100 Watts
- Frequency: DC to 4 GHz
- VSWR: 1.20:1
- Operating Temperature Range: -55°C to +150°C
- Temperature Coefficient: <150 ppm/°C
- Tabs: Silver
- Lead-Free, RoHS Compliant

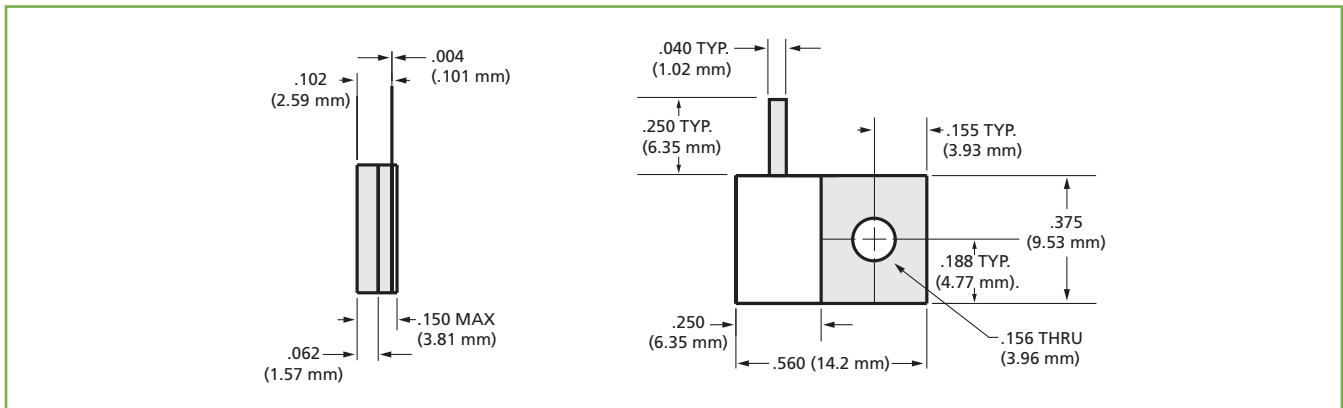


High Power, Flange Mount Termination

P/N: FT10560N0050J

Electrical Specifications

- Nominal Impedance: 50 Ω \pm 5% standard (other Ω values available)
- Power: 75 Watts
- Frequency: DC to 4 GHz
- VSWR: 1.25:1
- Operating Temperature Range: -55°C to +150°C
- Temperature Coefficient: <150 ppm/°C
- Tabs: Silver
- Lead-Free, RoHS Compliant



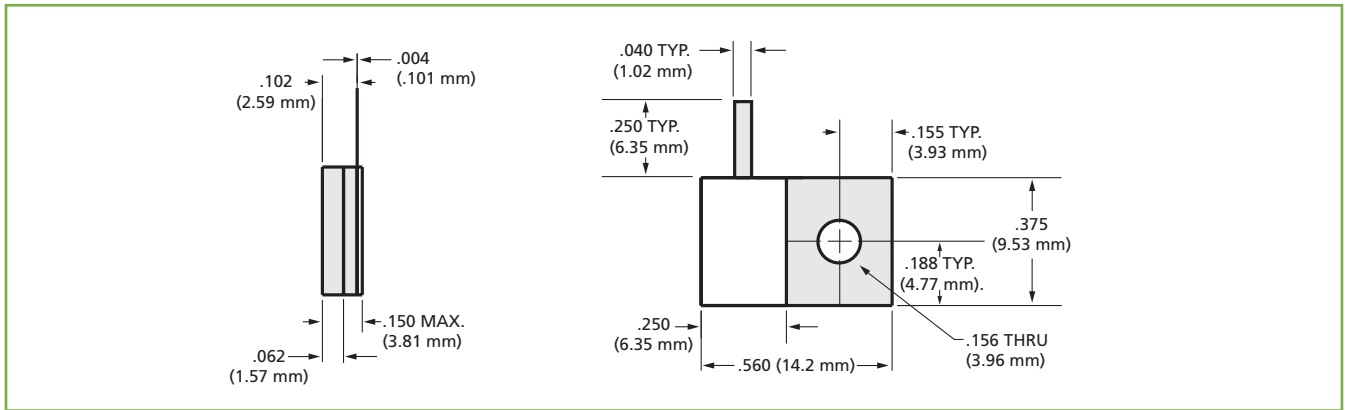
For Part Number Code, see page 1.

High Power, Flange Mount Termination

P/N: FT10560N0050J01

Electrical Specifications

- Nominal Impedance: 50 Ω \pm 5% standard (other Ω values available)
- Power: 100 Watts
- Frequency: DC to 1.1 GHz
- VSWR: 1.15:1
- Operating Temperature Range: -55°C to +150°C
- Temperature Coefficient: <150 ppm/°C
- Tabs: Silver
- Lead-Free, RoHS Compliant

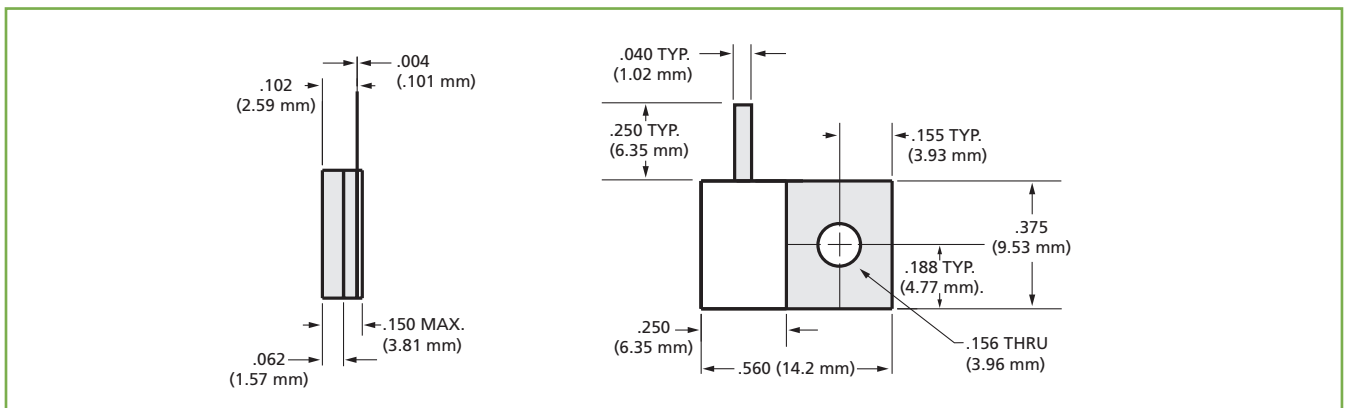


High Power, Flange Mount Termination

P/N: FT10560N0050J02

Electrical Specifications

- Nominal Impedance: 50 Ω \pm 5% standard (other Ω values available)
- Power: 100 Watts
- Frequency: DC to 2 GHz
- VSWR: 1.20:1
- Operating Temperature Range: -55°C to +150°C
- Temperature Coefficient: <150 ppm/°C
- Tabs: Silver
- Lead-Free, RoHS Compliant



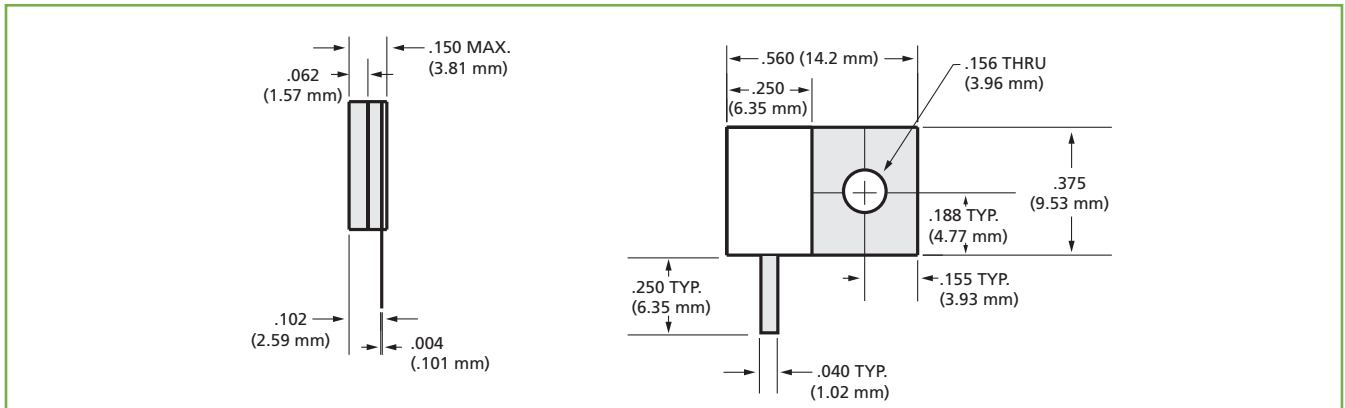
For Part Number Code, see page 1.

High Power, Flange Mount Termination

P/N: FT10561N0050J

Electrical Specifications

- **Nominal Impedance:** 50 Ω \pm 5% standard (other Ω values available)
- **Power:** 75 Watts
- **Frequency:** DC to 4.0 GHz
- **VSWR:** 1.25:1
- **Operating Temperature Range:** -55°C to +150°C
- **Temperature Coefficient:** <150 ppm/°C
- **Tabs:** Silver
- **Lead-Free, RoHS Compliant**

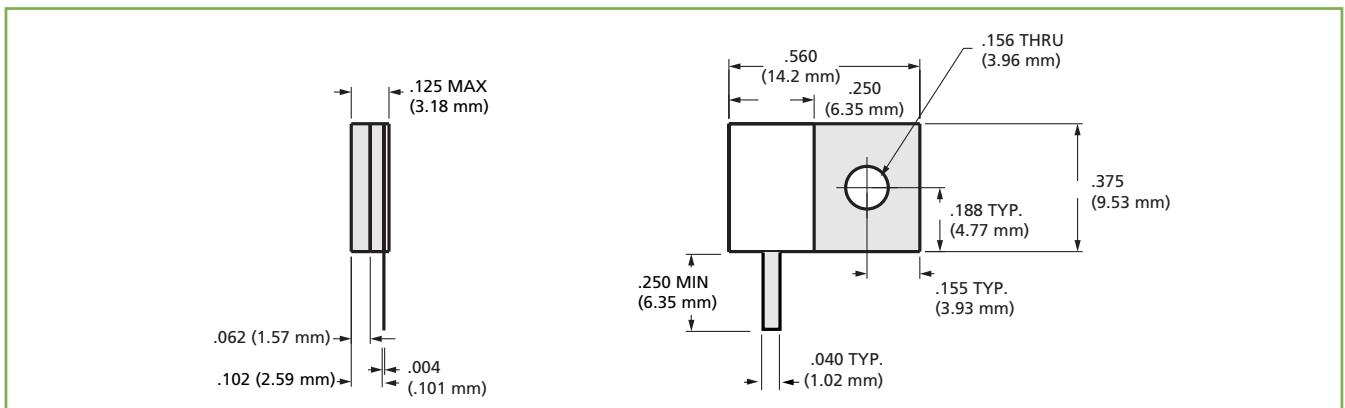


High Power, Flange Mount Termination

P/N: FT10561N0050J01

Electrical Specifications

- **Nominal Impedance:** 50 Ω \pm 5% standard (other Ω values available)
- **Power:** 100 Watts
- **Frequency:** DC to 1.1 GHz
- **VSWR:** 1.15:1
- **Operating Temperature Range:** -55°C to +150°C
- **Temperature Coefficient:** <150 ppm/°C
- **Tabs:** Silver
- **Lead-Free, RoHS Compliant**



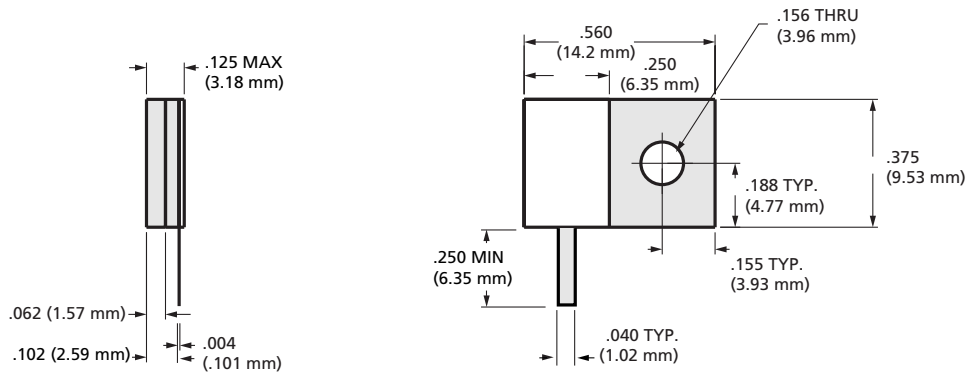
For Part Number Code, see page 1.

High Power, Flange Mount Termination

P/N: FT10561N0050J02

Electrical Specifications

- Nominal Impedance: 50 Ω \pm 5% standard (other Ω values available)
- Power: 100 Watts
- Frequency: DC to 2 GHz
- VSWR: 1.20:1
- Operating Temperature Range: -55°C to +150°C
- Temperature Coefficient: <150 ppm/°C
- Tabs: Silver
- Lead-Free, RoHS Compliant

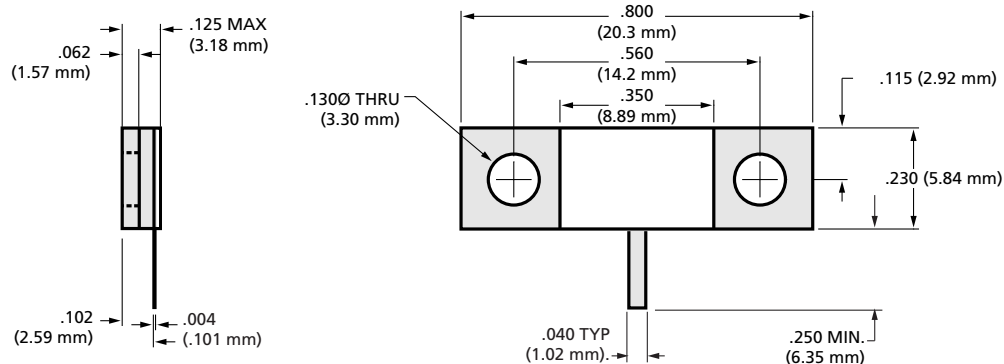


High Power, Flange Mount Termination

P/N: FT10800N0050J

Electrical Specifications

- Nominal Impedance: 50 Ω \pm 5% standard (other Ω values available)
- Power: 50 Watts
- Frequency: DC to 6 GHz
- VSWR: 1.10:1 @ 4.5 GHz, 1.18:1 @ 6.0GHz
- Operating Temperature Range: -55°C to +150°C
- Tabs: Silver
- Lead-Free, RoHS Compliant



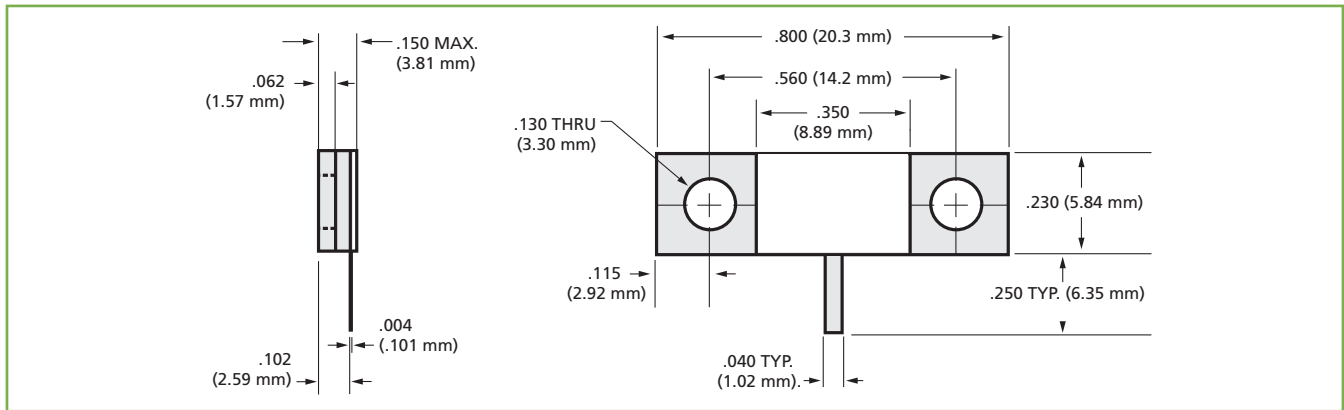
For Part Number Code, see page 1.

High Power, Flange Mount Termination

P/N: FT10800N0050J02

Electrical Specifications

- **Nominal Impedance:** 50 Ω \pm 5% standard (other Ω values available)
- **Power:** 100 Watts
- **Frequency:** DC to 6 GHz
- **VSWR:** 1.10:1 @ 4.5 GHz, 1.20:1 @ 6.0GHz
- **Operating Temperature Range:** -55°C to +150°C
- **Temperature Coefficient:** <150 ppm/°C
- **Tabs:** Silver
- **Lead-Free, RoHS Compliant**

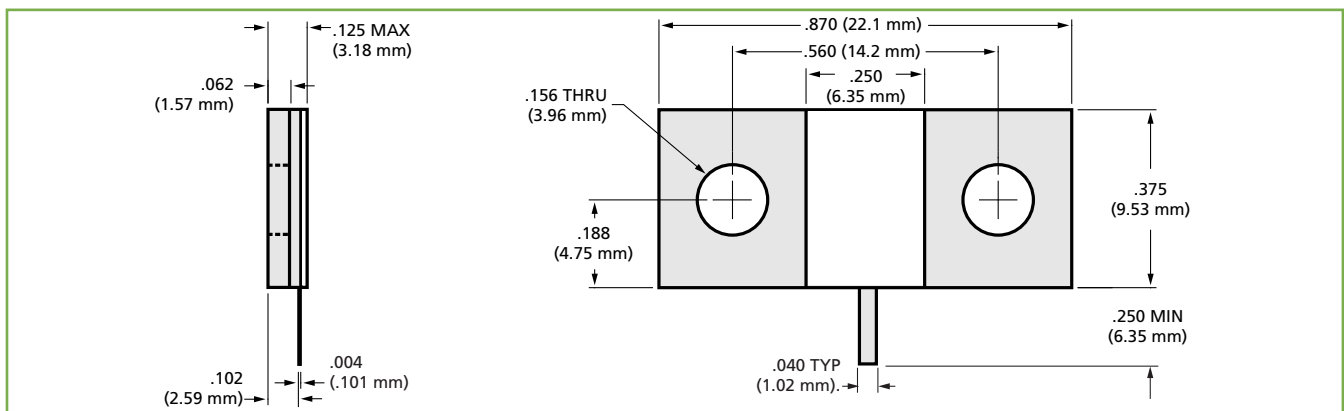


High Power, Flange Mount Termination

P/N: FT10870N0050J

Electrical Specifications

- **Nominal Impedance:** 50 Ω \pm 5% standard (other Ω values available)
- **Power:** 100 Watts
- **Frequency:** DC to 4.0 GHz
- **VSWR:** 1.20:1
- **Operating Temperature Range:** -55°C to +150°C
- **Temperature Coefficient:** <150 ppm/°C
- **Tabs:** Silver
- **Lead-Free, RoHS Compliant**



For Part Number Code, see page 1.

A M E R I C A N T E C H N I C A L C E R A M I C S

ATC North America
sales@atceramics.com

ATC Europe
sales@atceramics.com

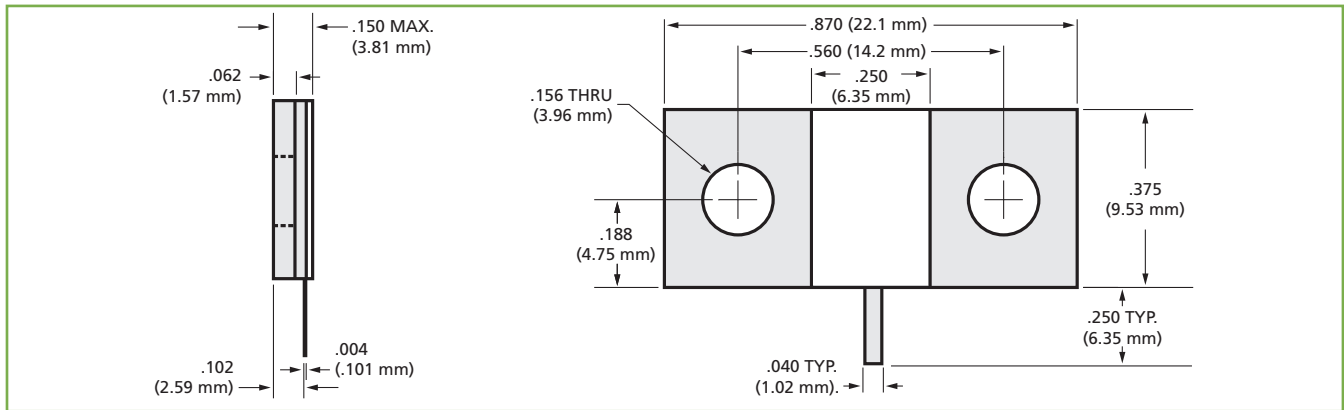
ATC Asia
sales@atceramics-asia.com

High Power, Flange Mount Termination

P/N: FT10870N0050J01

Electrical Specifications

- Nominal Impedance: 50 Ω \pm 5% standard (other Ω values available)
- Power: 150 Watts
- Frequency: DC to 1.1 GHz
- VSWR: 1.15:1
- Operating Temperature Range: -55°C to +150°C
- Temperature Coefficient: <150 ppm/°C
- Tabs: Silver
- Lead-Free, RoHS Compliant

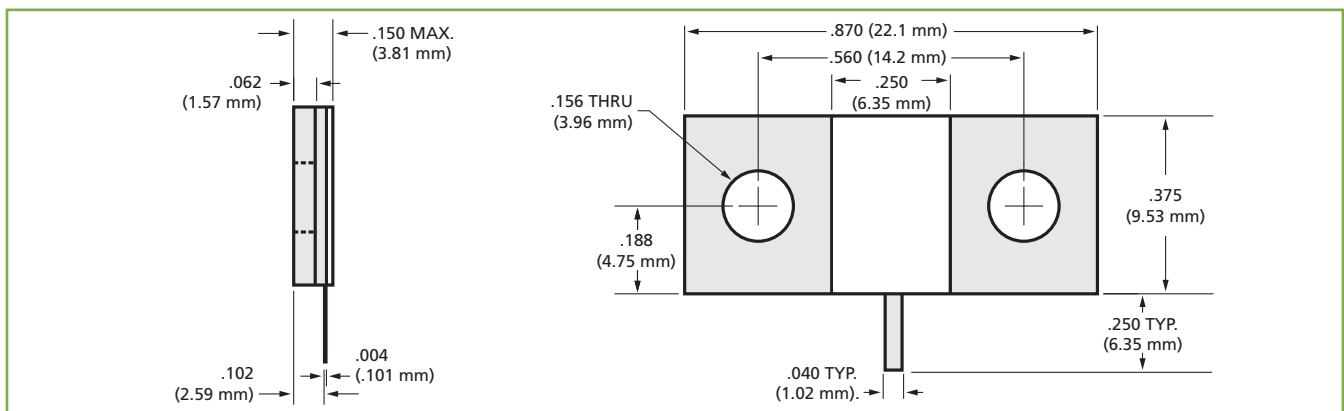


High Power, Flange Mount Termination

P/N: FT10870N0050J02

Electrical Specifications

- Nominal Impedance: 50 Ω \pm 5% standard (other Ω values available)
- Power: 150 Watts
- Frequency: DC to 4 GHz
- VSWR: 1.20:1
- Operating Temperature Range: -55°C to +150°C
- Temperature Coefficient: <150 ppm/°C
- Tabs: Silver
- Lead-Free, RoHS Compliant



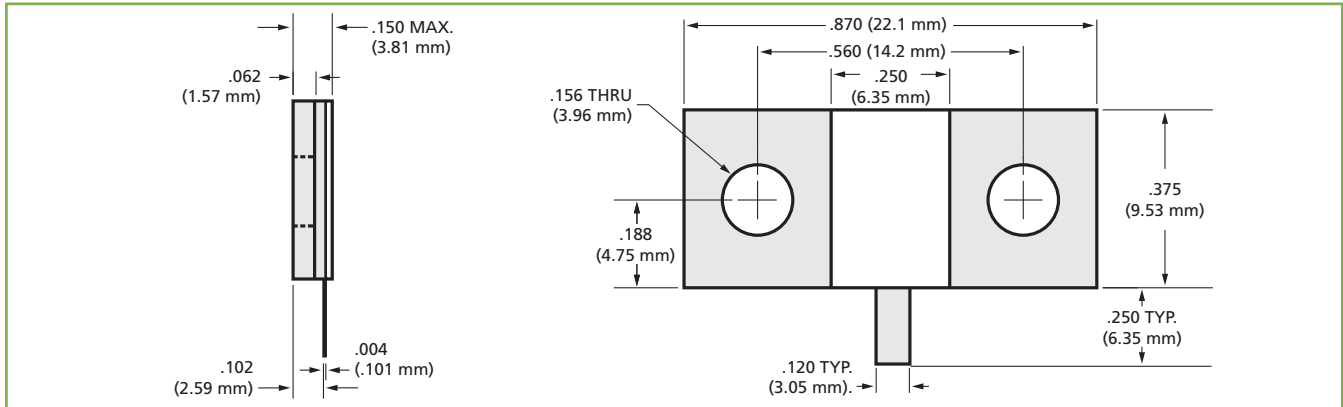
For Part Number Code, see page 1.

High Power, Flange Mount Termination

P/N: FT10870N0050J03

Electrical Specifications

- Nominal Impedance: 50 Ω \pm 5% standard (other Ω values available)
- Power: 150 Watts
- Frequency: DC to 4 GHz
- VSWR: 1.25:1
- Operating Temperature Range: -55°C to +150°C
- Temperature Coefficient: <150 ppm/°C
- Tabs: Silver
- Lead-Free, RoHS Compliant

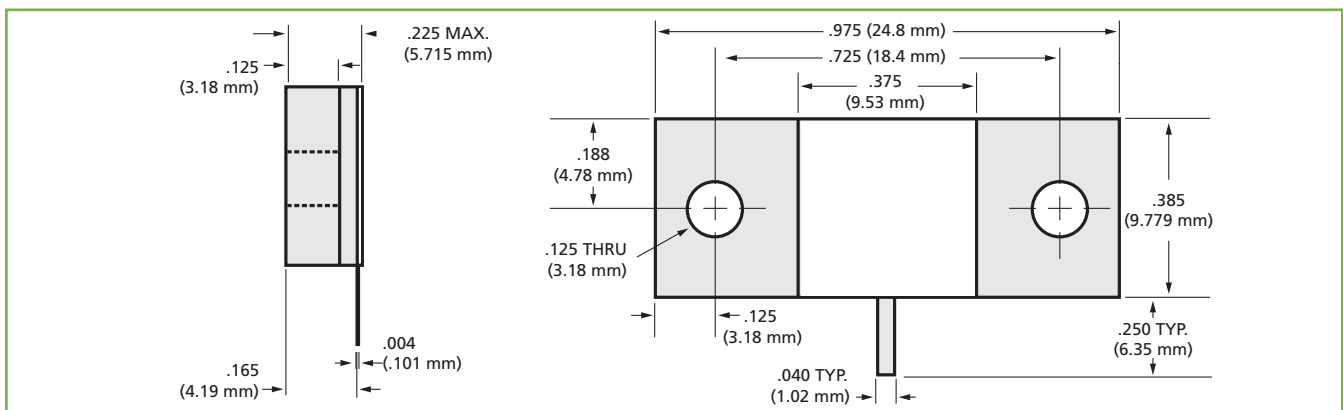


High Power, Flange Mount Termination

P/N: FT10975N0050JBK

Electrical Specifications

- Nominal Impedance: 50 Ω \pm 5% standard (other Ω values available)
- Power: 200 Watts
- Frequency: DC to 2.2 GHz
- VSWR: 1.20:1 @ 2 GHz, 1.30:1 @ 2.2 GHz
- Operating Temperature Range: -55°C to +150°C
- Temperature Coefficient: <150 ppm/°C
- Tabs: Silver
- Lead-Free, RoHS Compliant



For Part Number Code, see page 1.

A M E R I C A N T E C H N I C A L C E R A M I C S

ATC North America
sales@atceramics.com

ATC Europe
sales@atceramics.com

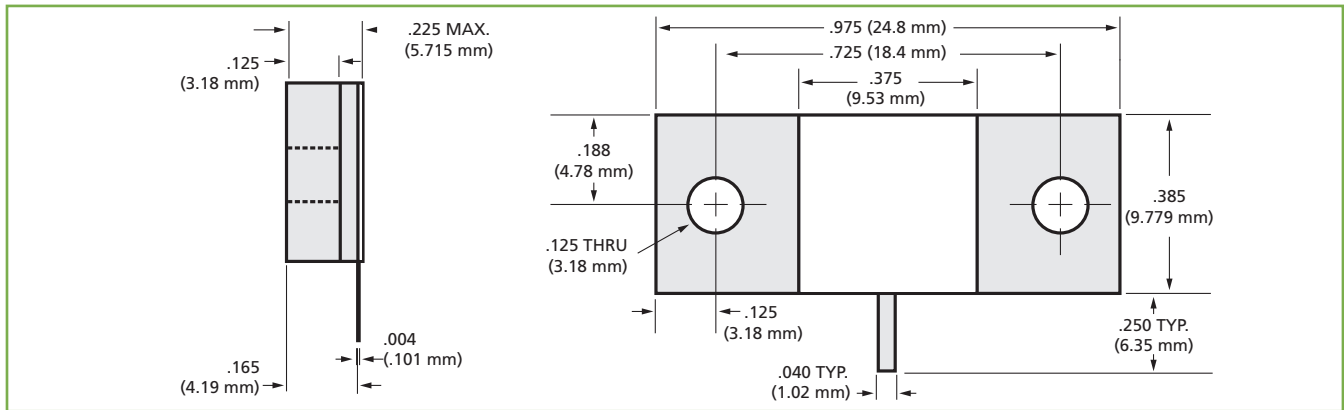
ATC Asia
sales@atceramics-asia.com

High Power, Flange Mount Termination

P/N: FT10975N0050J01

Electrical Specifications

- Nominal Impedance: 50 Ω \pm 5% standard (other Ω values available)
- Power: 250 Watts
- Frequency: DC to 1.0 GHz
- VSWR: 1.20:1
- Operating Temperature Range: -55°C to +150°C
- Temperature Coefficient: <150 ppm/°C
- Tabs: Silver
- Lead-Free, RoHS Compliant

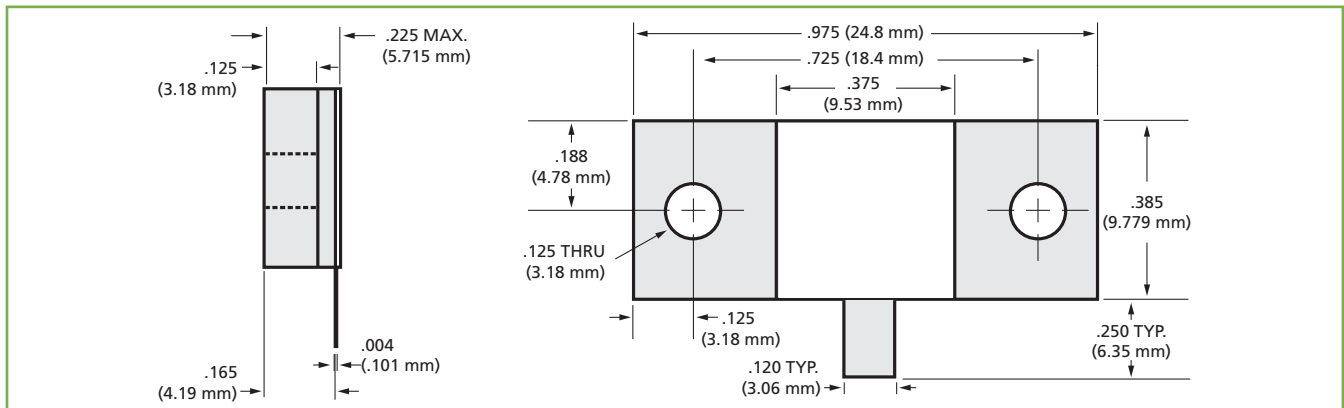


High Power, Flange Mount Termination

P/N: FT10975N0050J03

Electrical Specifications

- Nominal Impedance: 50 Ω \pm 5% standard (other Ω values available)
- Power: 250 Watts
- Frequency: DC to 2.0 GHz
- VSWR: 1.20:1
- Operating Temperature Range: -55°C to +150°C
- Temperature Coefficient: \pm 150 ppm/°C
- Tabs: Silver
- Lead-Free, RoHS Compliant



For Part Number Code, see page 1.

A M E R I C A N T E C H N I C A L C E R A M I C S

ATC North America
sales@atceramics.com

ATC Europe
sales@atceramics.com

ATC Asia
sales@atceramics-asia.com

www.atceramics.com

Mouser Electronics

Authorized Distributor

Click to View Pricing, Inventory, Delivery & Lifecycle Information:

[American Technical Ceramics \(ATC\):](#)

[FT10301N0050J](#)

Компания «Life Electronics» занимается поставками электронных компонентов импортного и отечественного производства от производителей и со складов крупных дистрибьюторов Европы, Америки и Азии.

С конца 2013 года компания активно расширяет линейку поставок компонентов по направлению коаксиальный кабель, кварцевые генераторы и конденсаторы (керамические, пленочные, электролитические), за счёт заключения дистрибьюторских договоров

Мы предлагаем:

- Конкуренеспособные цены и скидки постоянным клиентам.
- Специальные условия для постоянных клиентов.
- Подбор аналогов.
- Поставку компонентов в любых объемах, удовлетворяющих вашим потребностям.
- Приемлемые сроки поставки, возможна ускоренная поставка.
- Доставку товара в любую точку России и стран СНГ.
- Комплексную поставку.
- Работу по проектам и поставку образцов.
- Формирование склада под заказчика.
- Сертификаты соответствия на поставляемую продукцию (по желанию клиента).
- Тестирование поставляемой продукции.
- Поставку компонентов, требующих военную и космическую приемку.
- Входной контроль качества.
- Наличие сертификата ISO.

В составе нашей компании организован Конструкторский отдел, призванный помогать разработчикам, и инженерам.

Конструкторский отдел помогает осуществить:

- Регистрацию проекта у производителя компонентов.
- Техническую поддержку проекта.
- Защиту от снятия компонента с производства.
- Оценку стоимости проекта по компонентам.
- Изготовление тестовой платы монтаж и пусконаладочные работы.



Тел: +7 (812) 336 43 04 (многоканальный)

Email: org@lifeelectronics.ru