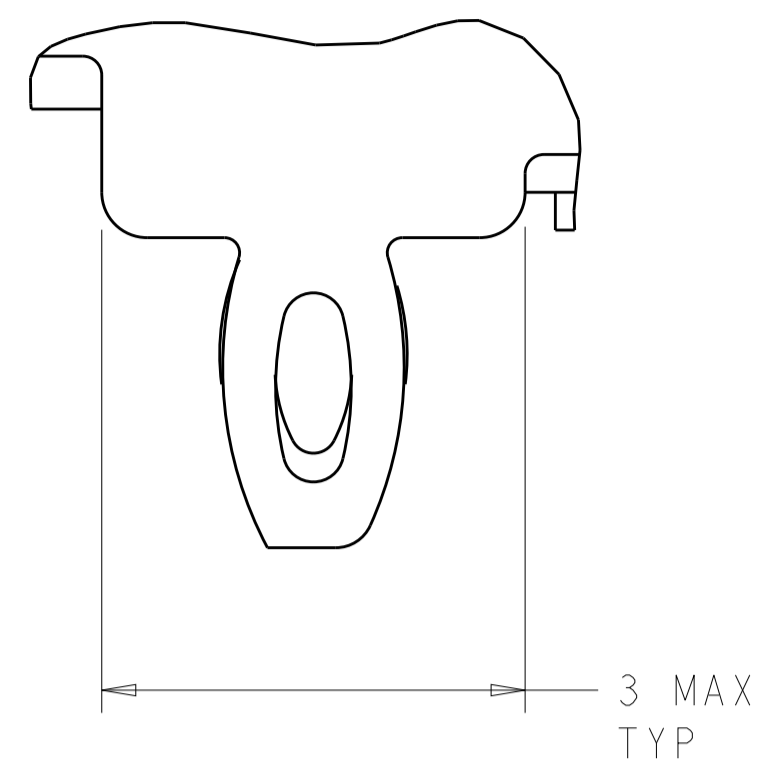


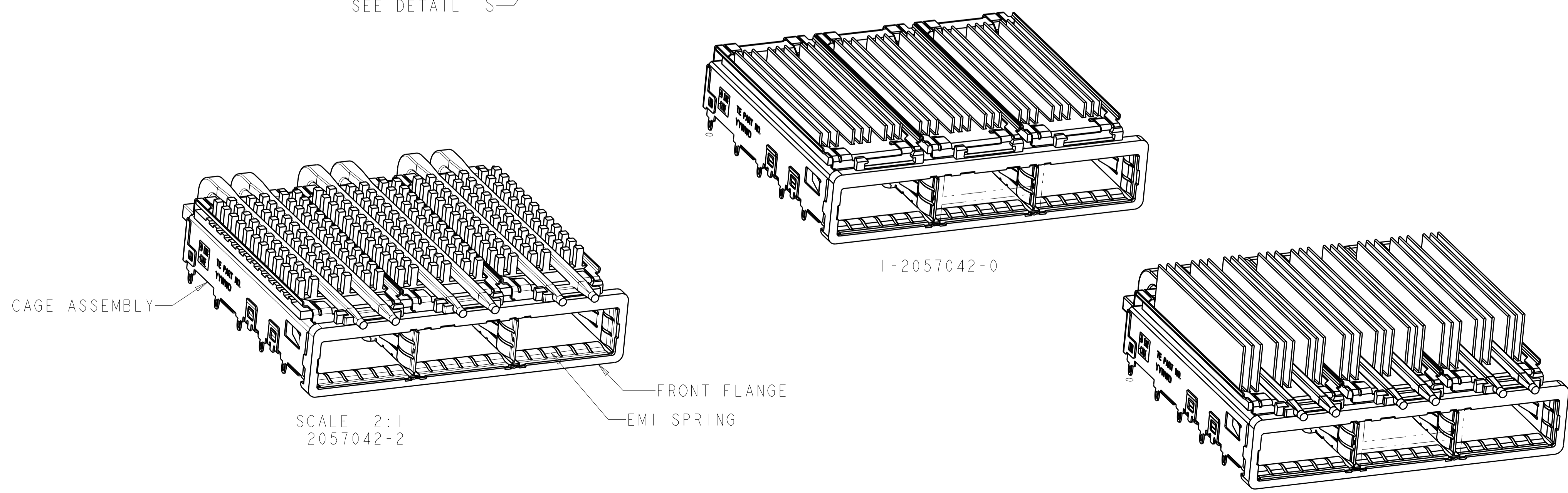
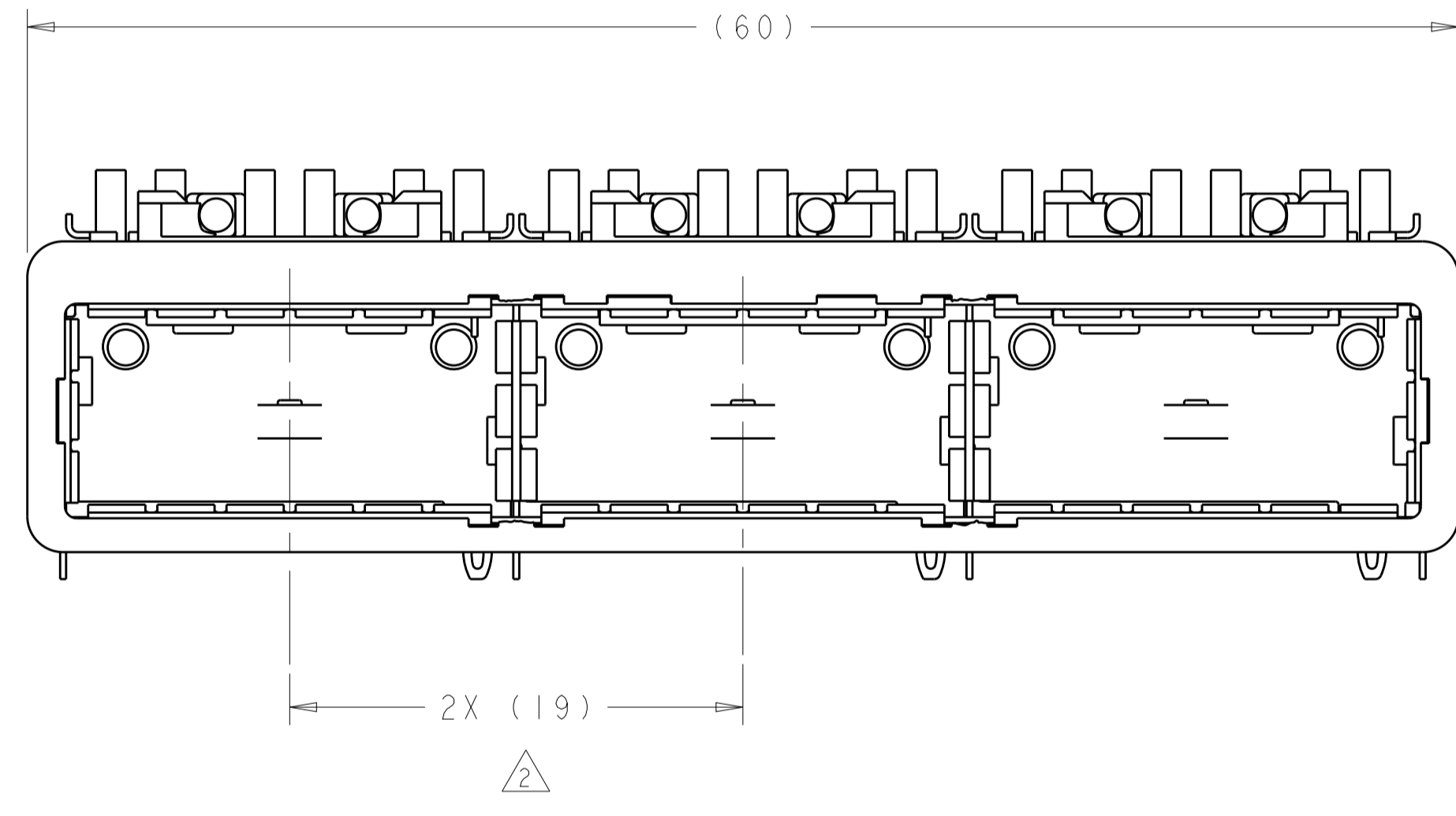
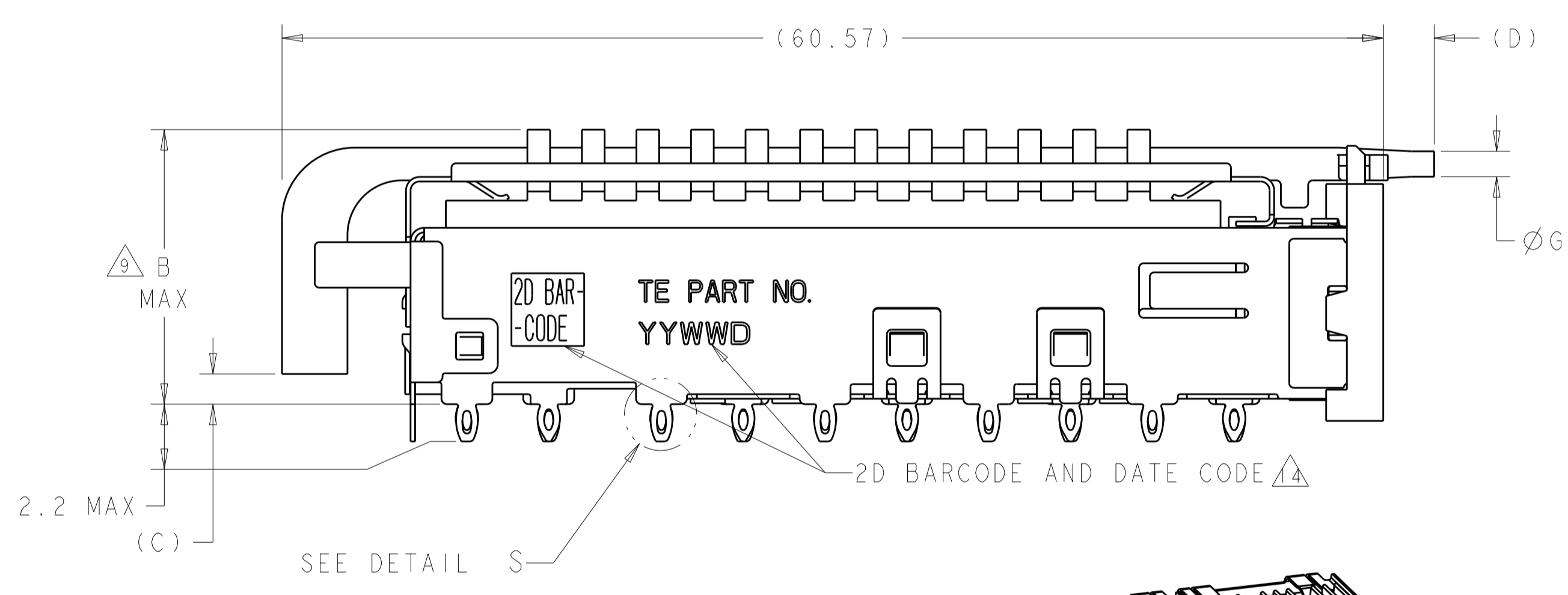
LOC	DIST	REVISIONS					
		P	LTN	DESCRIPTION	DATE	DWN	APVD
GP	00						
		C1		REVISED PER ECO-11-004835	11MAR2011	RK	HMR
		D		REVISED PER ECO-12-005533	31MAR2012	JY	AC
		E		REVISED PER ECO-13-009872	26NOV2013	RG	MC
		F		REVISED PER ECO-14-016878	30EC2014	RG	MC



DETAIL S $\Delta 12$
 SCALE 20:1

- $\Delta 1$ CAGE ASSEMBLY MATERIAL: NICKEL SILVER, 0.25 THICK
 HEAT SINK MATERIAL: ALUMINUM
 HEAT SINK CLIP MATERIAL: STAINLESS STEEL
 EMI SPRINGS MATERIAL: COPPER ALLOY
 FRONT FLANGE MATERIAL: ZINC ALLOY
 LIGHT PIPE MATERIAL: CLEAR POLYCARBONATE
- $\Delta 2$ PITCH BETWEEN PORTS OF ONE 1X3 CAGE ASSEMBLY.
- $\Delta 3$ SPACING BETWEEN CAGES ON THE SAME PC BOARD, TO BE SPECIFIED BY CUSTOMER, MUST COMPLY WITH MINIMUM DIMENSIONS SHOWN.
- $\Delta 4$ REFERENCE APPLICATION SPEC 114-13218 FOR RECOMMENDED DRILL HOLE DIAMETER AND PLATING THICKNESS.
- $\Delta 5$ DATUMS AND BASIC DIMENSIONS ESTABLISHED BY CUSTOMER.
- $\Delta 6$ DIMENSION F IS THE NOMINAL THICKNESS OF CUSTOMER SUPPLIED PC BOARD, SINGLE SIDED PC BOARD MINIMUM THICKNESS = 1.45mm, DOUBLE SIDED PC BOARD MINIMUM THICKNESS = 2.2mm PER QSFP
- $\Delta 7$ HEAT SINKS, LIGHT PIPES, AND HEAT SINK CLIPS SHIPPED ASSEMBLED TO CAGE ASSEMBLY. CAGE ASSEMBLY MAY BE PRESSED INTO THE PCB AS SHIPPED.
- $\Delta 8$ DATUM -A- IS TOP SURFACE OF PC BOARD.
- $\Delta 9$ DIMENSION APPLIES WITH MODULE INSERTED IN CAGE.
- $\Delta 10$ UNPLATED THRU HOLE.
- 11. MATES WITH QSFP MSA COMPATIBLE TRANSCEIVER.
- $\Delta 12$ SURFACE TRACES PERMITTED WITHIN THIS AREA EXCEPT WHERE CAGE STANDOFFS, SHOWN IN DETAIL S, CONTACT PC BOARD.
- $\Delta 13$ BASELINE FOR THESE DIMENSIONS IS THE CENTER OF COMPLIANT PIN HOLE.
- $\Delta 14$ 2D BARCODE AND DATE CODE (YYWWD) MARKED ON SIDE OF CAGE ASSEMBLY.

- $\Delta 15$ REFERENCE APP SPEC 114-13218 FOR GASKET THICKNESS CALCULATION.
- $\Delta 16$ EMI SPRING FINISH: 2 μ m MIN TIN
 FRONT FLANGE FINISH: 3 μ m MIN TIN OVER 1.27 μ m MIN NICKEL OVER 5.08 μ m MIN COPPER.
 HEAT SINK FINISH: BLACK ANODIZED.
- $\Delta 17$ HEAT SINKS AND CLIPS SHIPPED ASSEMBLED TO CAGE ASSEMBLY. CAGE ASSEMBLY MAY BE PRESSED IN TO THE PCB AS SHIPPED. LIGHT PIPES, SHIPPED UNATTACHED, MUST BE ASSEMBLED BY CUSTOMER AFTER THE CAGE IS SEATED IN THE PCB.



$\Delta 1$	1.4	0.8-1.1	2.0	1.70	21.0	FIN TYPE	1-2057042-1
	N/A	N/A	N/A	N/A	15.0	FIN TYPE	1-2057042-0
$\Delta 1$	2.0	0.8-1.1	3.5	1.70	16.8	CUSTOMERIZED	2057042-9
$\Delta 1$	1.4	0.8-1.1	2.0	1.70	23.0	NETWORKING	2057042-8
$\Delta 1$	1.4	0.8-1.1	2.0	1.70	16.0	SAN	2057042-7
$\Delta 17$	1.4	0.8-1.1	2.0	1.70	13.7	PCI	2057042-6
$\Delta 1$	1.4	1.3-1.4	5.7	2.15	16.0	SAN	2057042-5
$\Delta 17$	1.4	1.3-1.4	5.7	2.15	13.7	PCI	2057042-4
$\Delta 1$	1.4	0.8-1.1	2.8	1.70	23.0	NETWORKING	2057042-3
$\Delta 1$	1.4	0.8-1.1	2.8	1.70	16.0	SAN	2057042-2
$\Delta 17$	1.4	0.8-1.1	2.8	1.70	13.7	PCI	2057042-1
	G	E	D	C	B	HEAT SINK PROFILE	PART NUMBER

THIS DRAWING IS A CONTROLLED DOCUMENT. DWN: C. VALENTINI 28FEB2008
 CHK: E. BRIGHT 28FEB2008
 APVD: E. BRIGHT 28FEB2008

TE Connectivity

NAME: 1X3 CAGE ASSEMBLY, BEHIND BEZEL, W/ LIGHT PIPES AND HEAT SINKS, QSFP

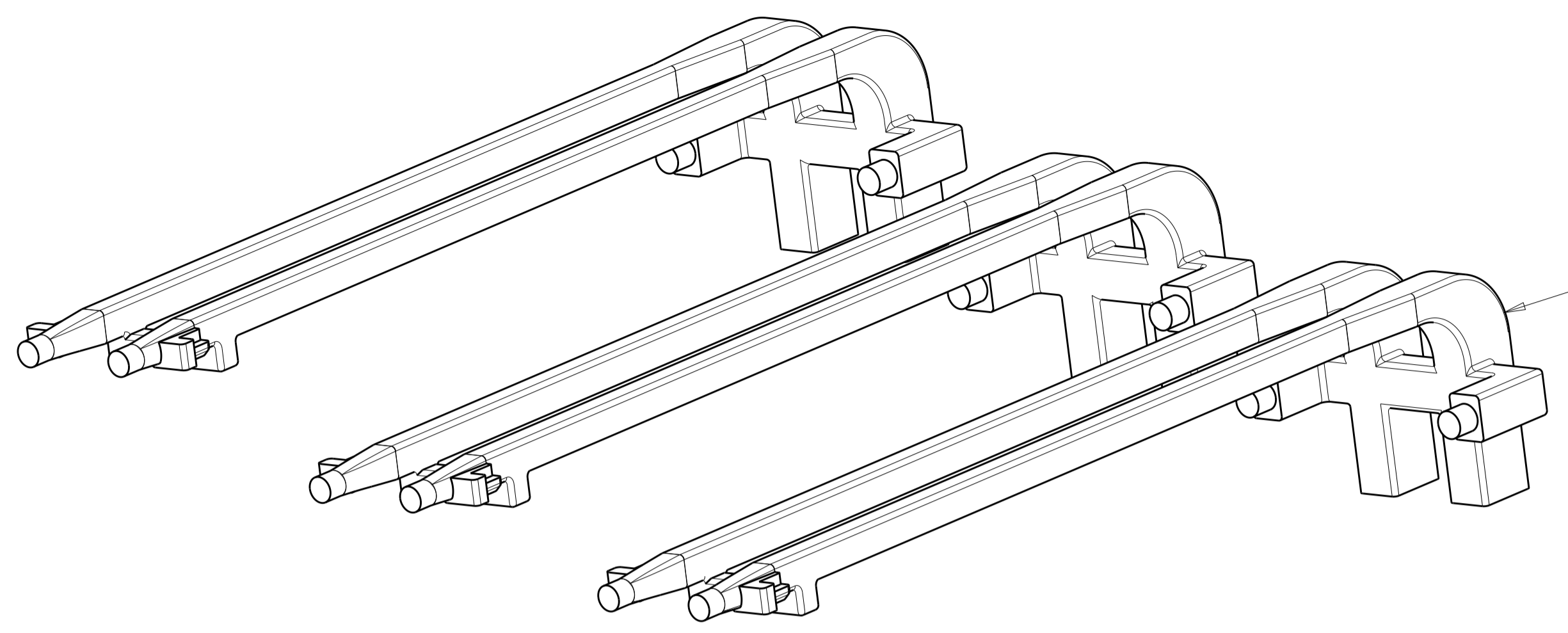
PRODUCT SPEC: 108-2286
 APPLICATION SPEC: 114-13218

SIZE: A1 CAGE CODE: 00779C DRAWING NO: 2057042

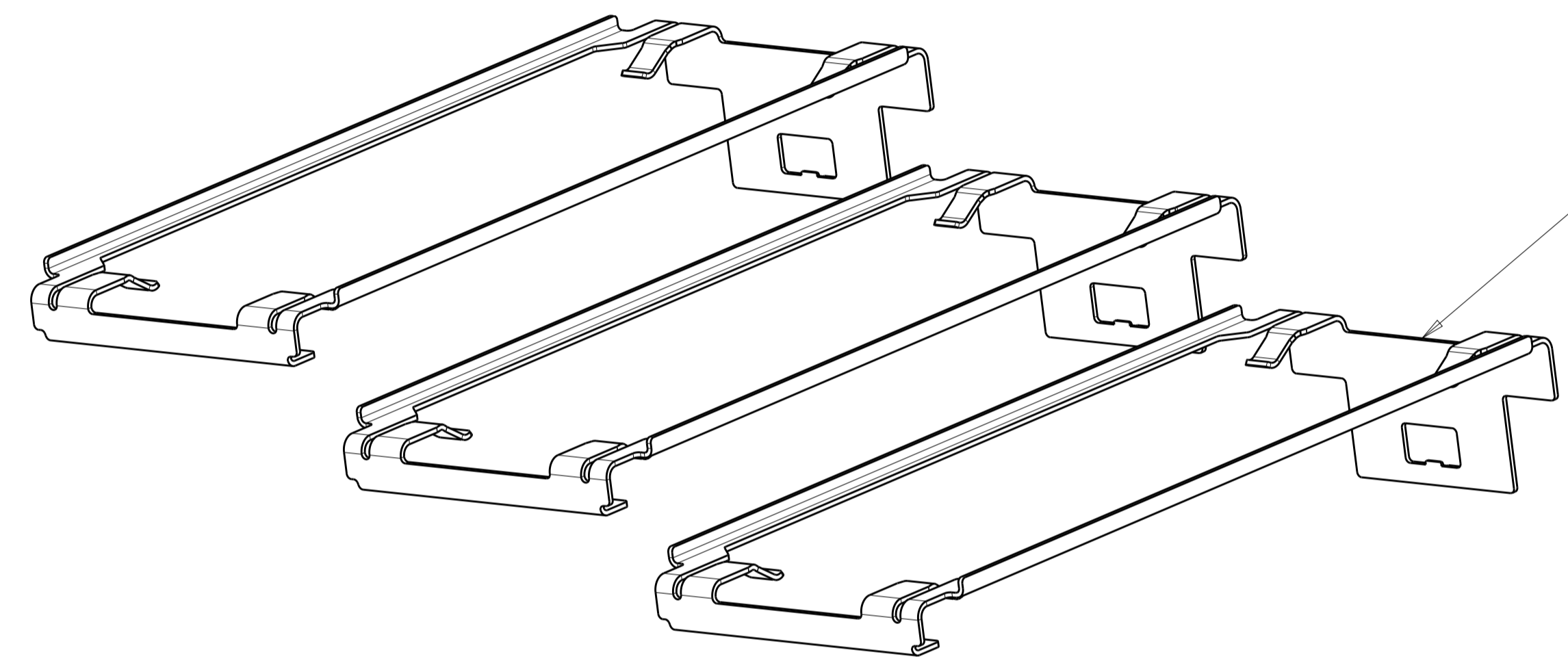
RESTRICTED TO: -

CUSTOMER DRAWING SCALE: 4:1 SHEET: 1 OF 5 REV: F

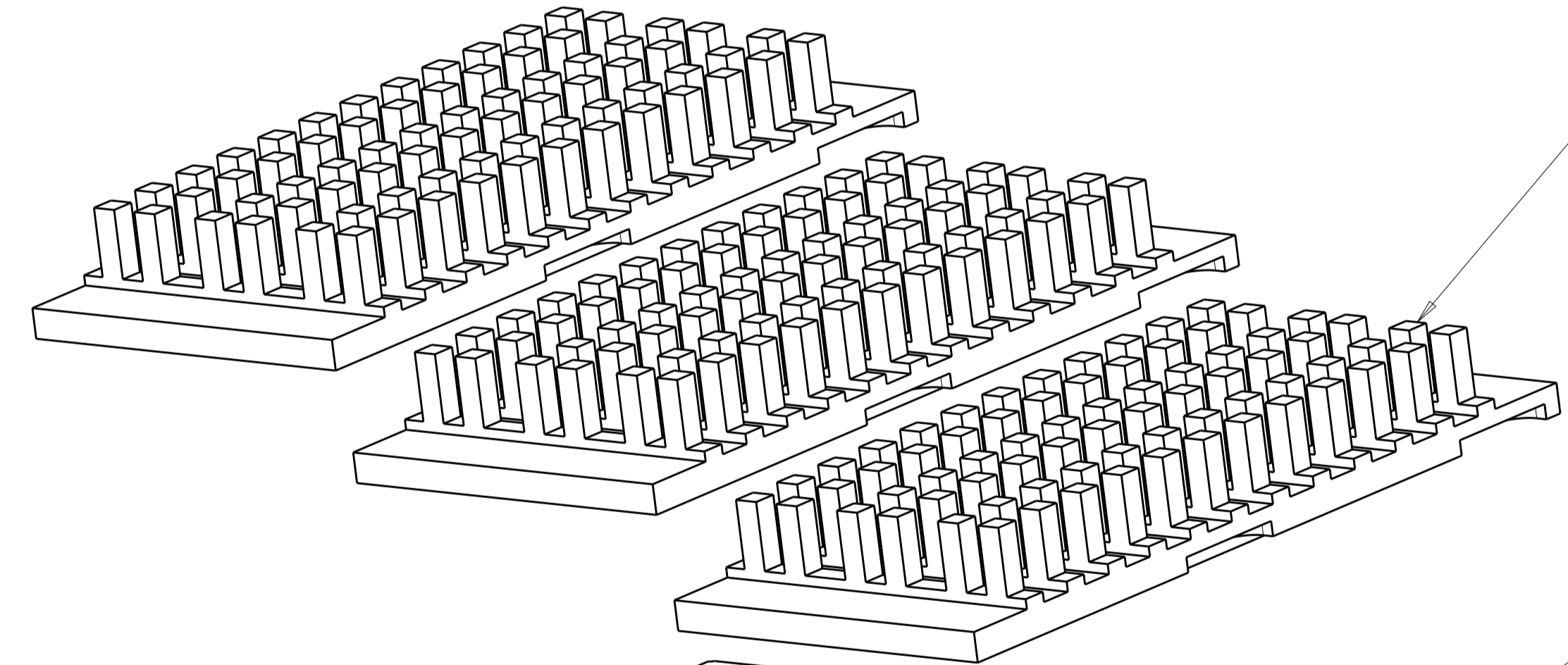
LOC	DIST	REVISIONS					
GP	00	P	LYR	DESCRIPTION	DATE	DWN	APVD
		-		SEE SHEET 1			



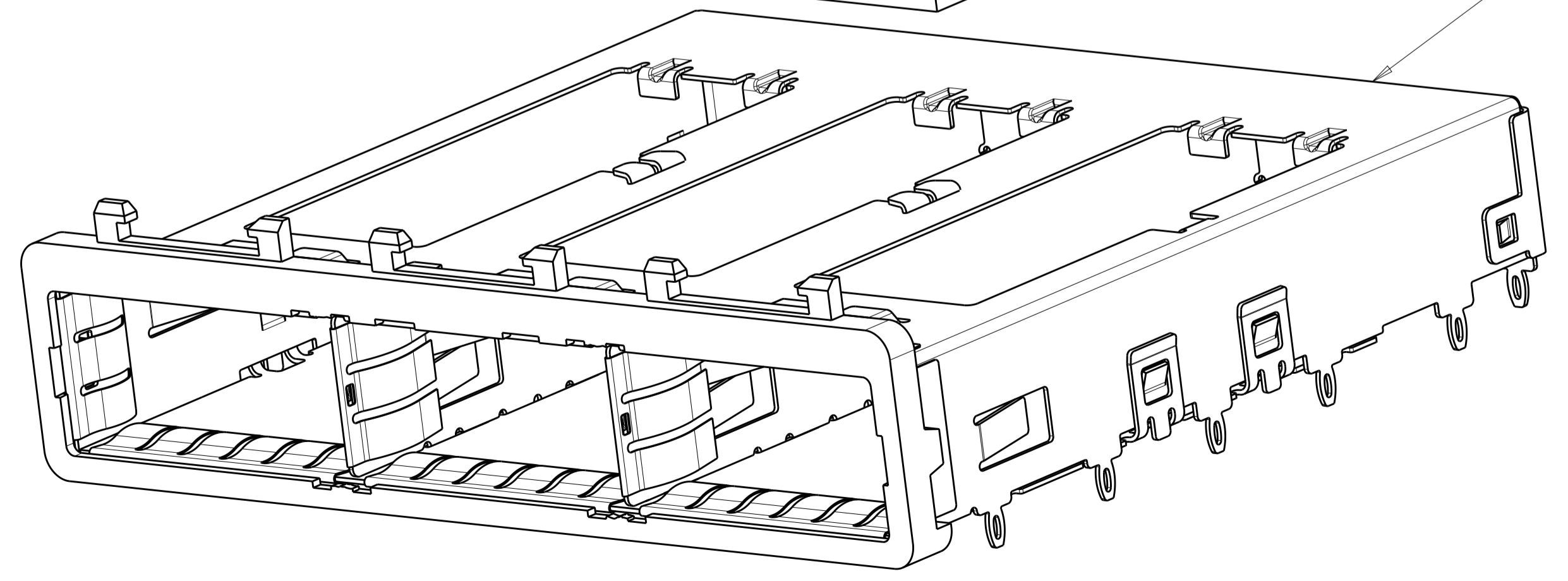
DOUBLE LIGHT PIPES
 QUANTITY: 3



HEAT SINK CLIPS
 QUANTITY: 3



72 PIN HEAT SINKS
 QUANTITY: 3

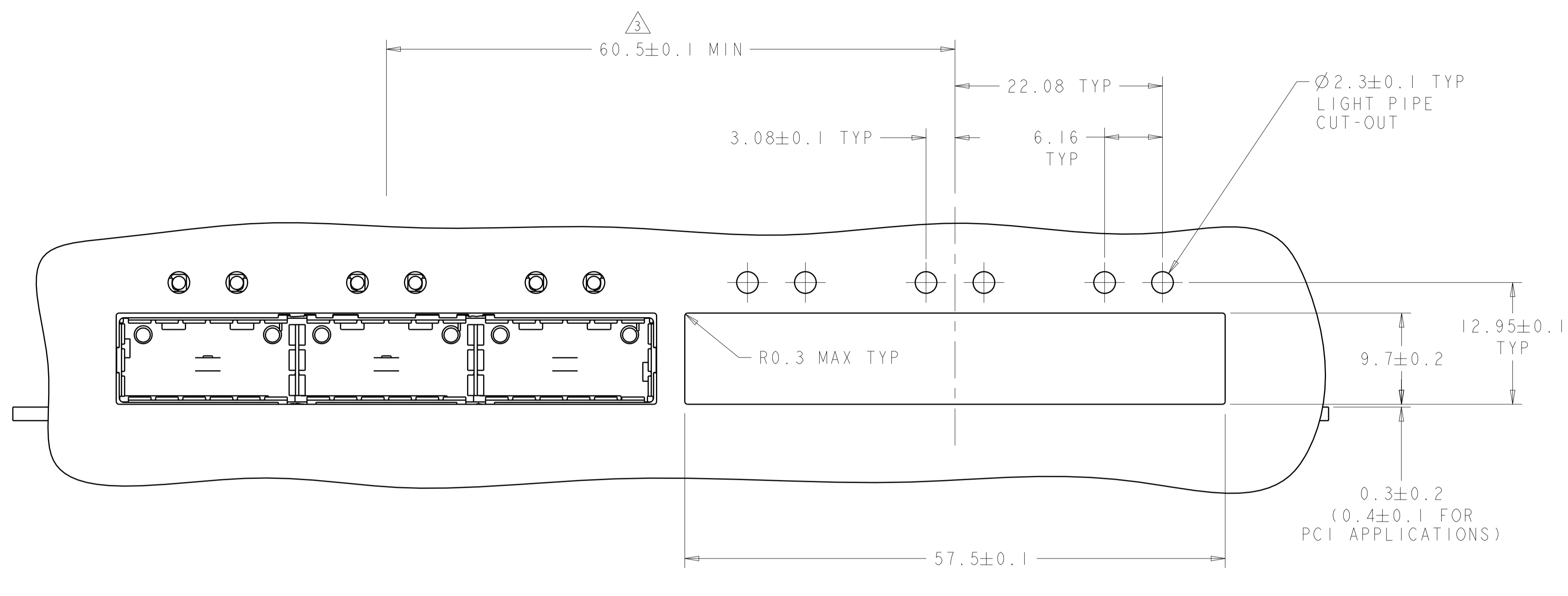


1X3 BEHIND BEZEL QSFP
 CAGE ASSEMBLY
 QUANTITY: 1

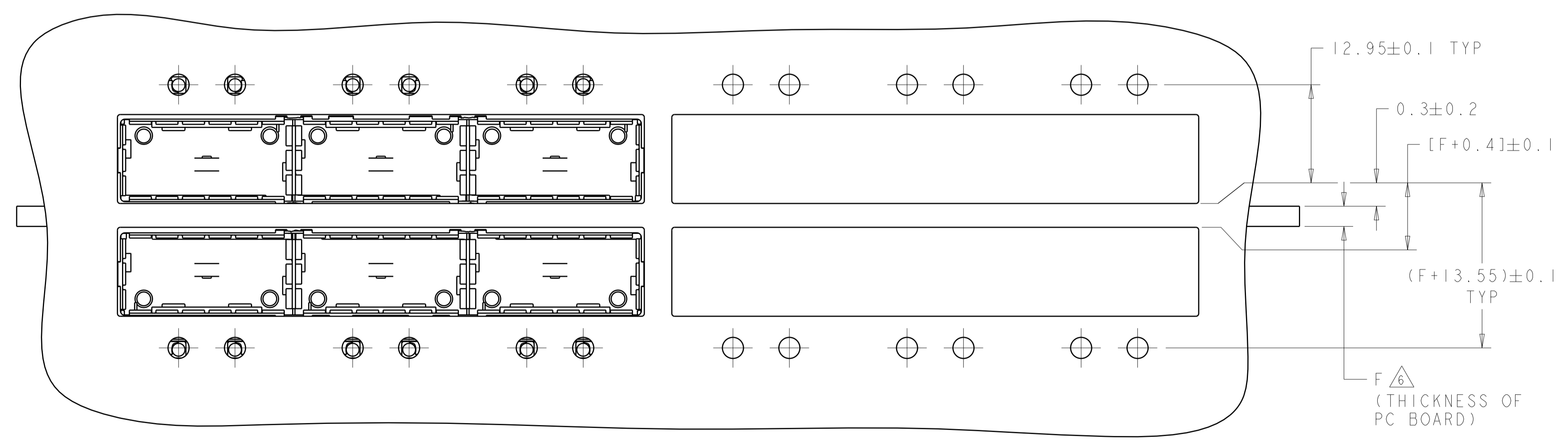
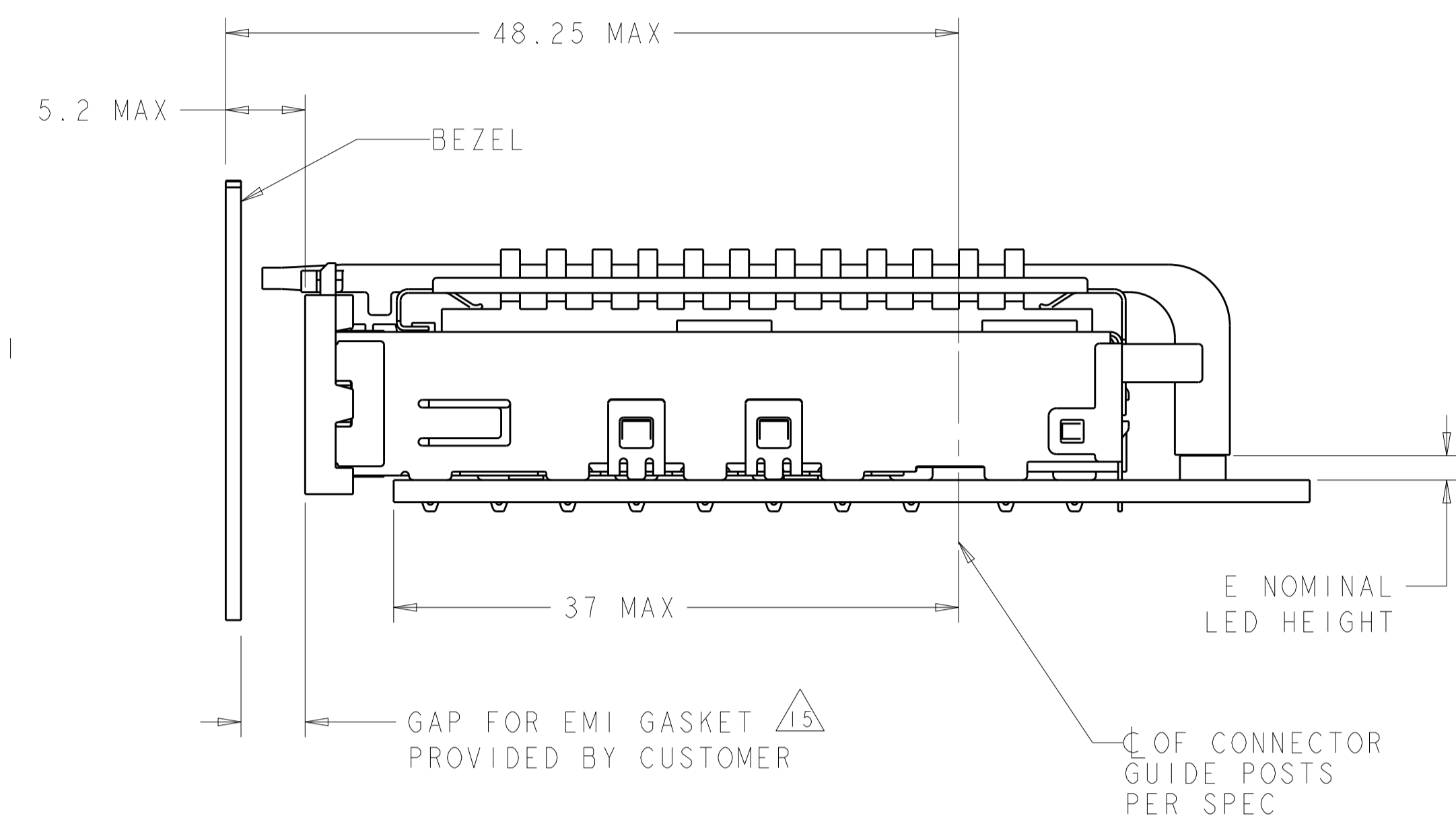
THIS PRODUCT HAS NOT COMPLETED
 VALIDATION/QUALIFICATION TESTING

THIS DRAWING IS A CONTROLLED DOCUMENT.		DWN C. VALENTIN 28FEB2008	TE Connectivity
DIMENSIONS: mm		CHK E. BRIGHT 28FEB2008	
TOLERANCES UNLESS OTHERWISE SPECIFIED: 0 PLC ± 1 PLC ±0.1 2 PLC ±0.1 3 PLC ± 4 PLC ± ANGLES ±		APVD E. BRIGHT 28FEB2008	NAME 1X3 CAGE ASSEMBLY, BEHIND BEZEL, W/ LIGHT PIPES AND HEAT SINKS, QSFP
MATERIAL		PRODUCT SPEC 108-2286	SIZE A100779C=2057042
FINISH		APPLICATION SPEC 114-13218	RESTRICTED TO
		WEIGHT	SCALE 4:1 SHEET 2 OF 5 REV F
		CUSTOMER DRAWING	

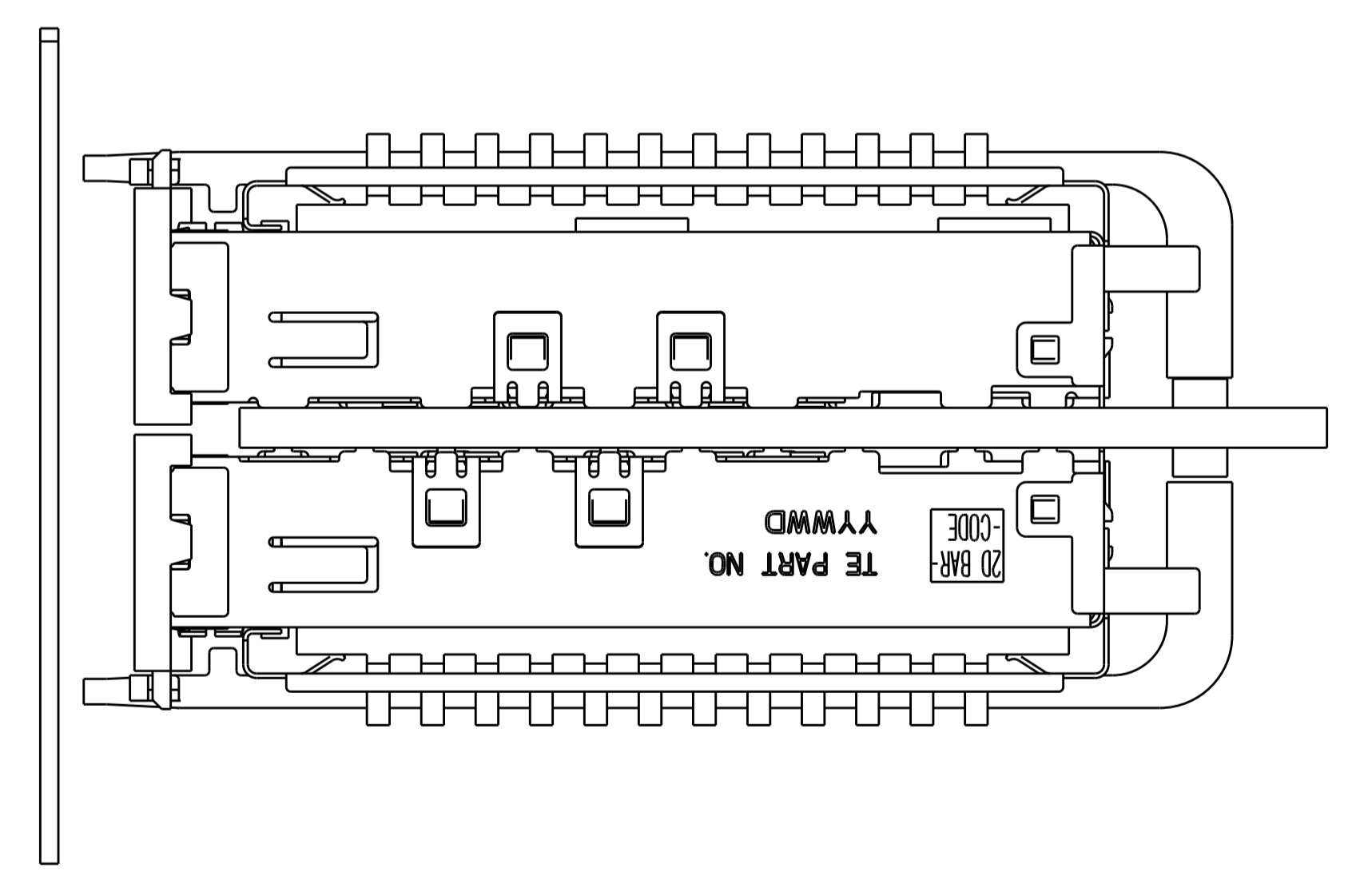
LOC		DIST		REVISIONS			
GP	00	P	LTN	DESCRIPTION	DATE	OWN	APVD
		-		SEE SHEET 1	-	-	-



ONE SIDED CONFIGURATION
 SCALE 3:1



BELLY TO BELLY CONFIGURATION SIMILAR
 TO ONE SIDED EXCEPT WHERE NOTED
 SCALE 3:1

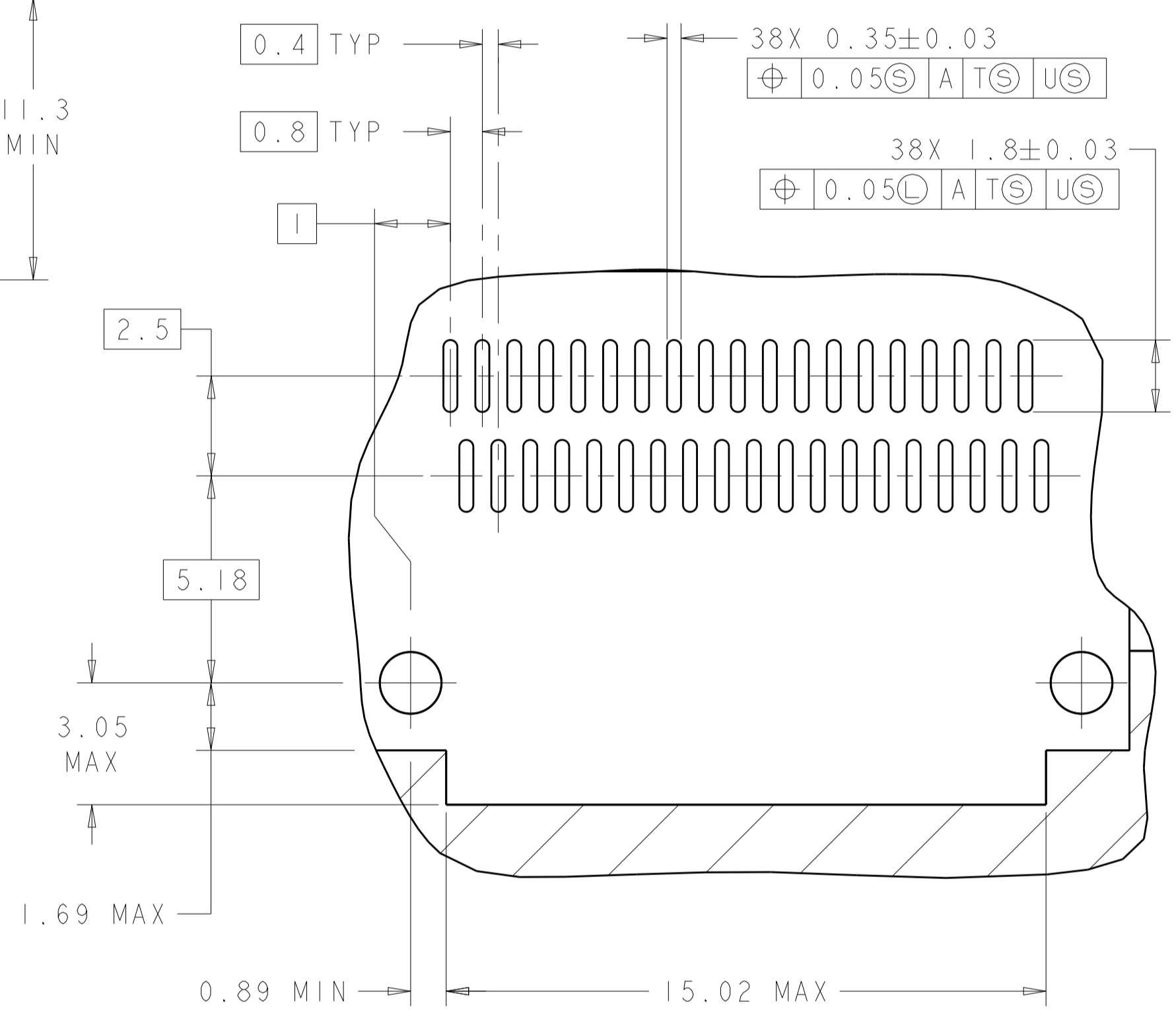
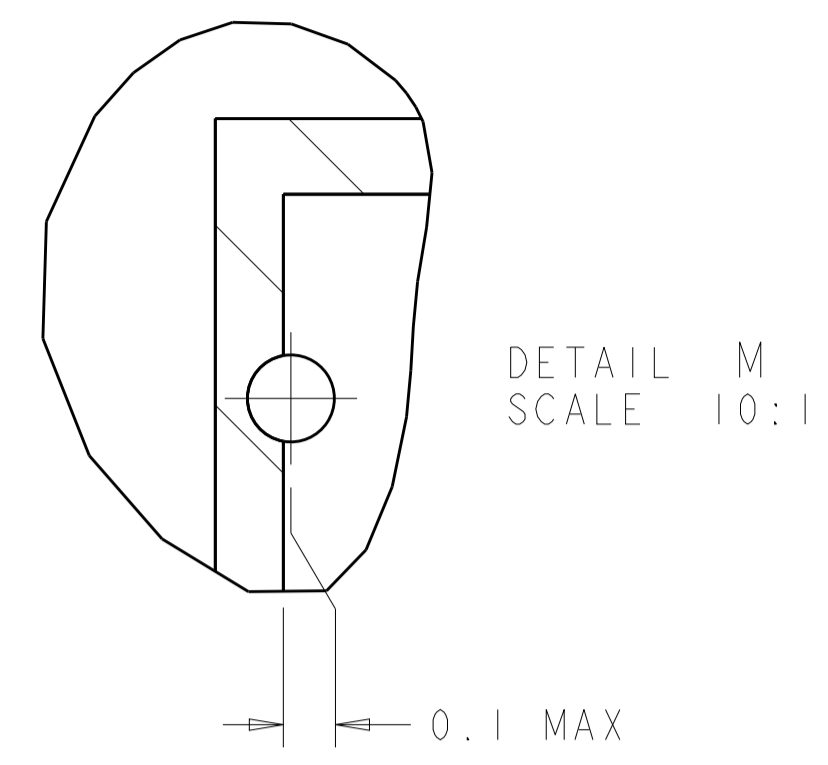
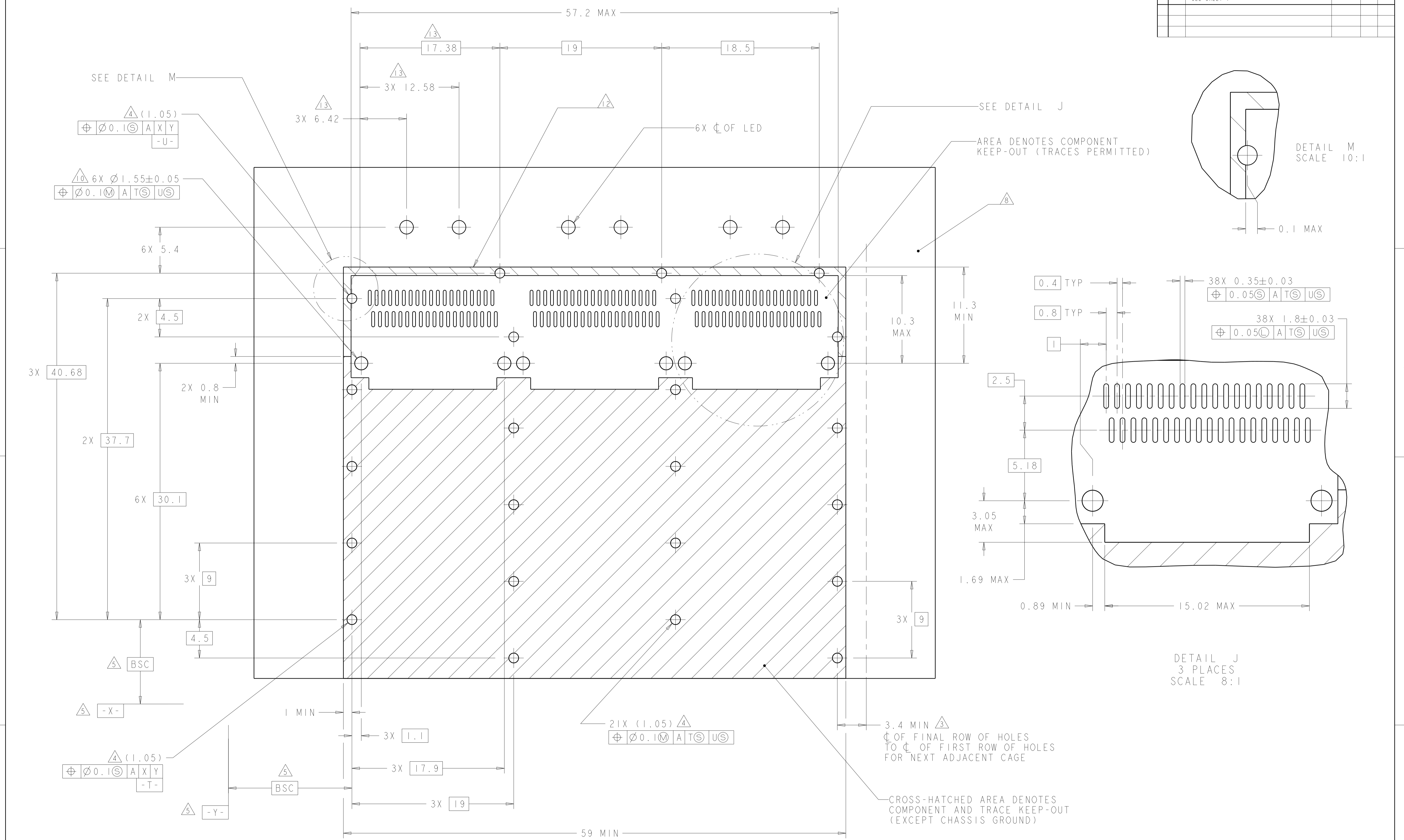


THIS PRODUCT HAS NOT COMPLETED VALIDATION/QUALIFICATION TESTING

THIS DRAWING IS A CONTROLLED DOCUMENT.		OWN C. VALENTINE 28FEB2008	
DIMENSIONS:		CHK E. BRIGHT 28FEB2008	
TOLERANCES UNLESS OTHERWISE SPECIFIED:		APVD E. BRIGHT 28FEB2008	NAME 1X3 CAGE ASSEMBLY, BEHIND BEZEL, W/ LIGHT PIPES AND HEAT SINKS, QSFP
mm	0 PLC ± 1 PLC ±0.1 2 PLC ±0.1 3 PLC ± 4 PLC ±	PRODUCT SPEC 108-2286	SIZE A100779
MATERIAL		APPLICATION SPEC 114-13218	RESTRICTED TO
FINISH		WEIGHT	SCALE 4:1 SHEET 3 OF 5 REV F
CUSTOMER DRAWING		SCALE 4:1	

LOC	DIST	REV	DATE	BY	APPD
GP	00				

REVISIONS			
NO.	DESCRIPTION	DATE	BY
1	SEE SHEET 1		

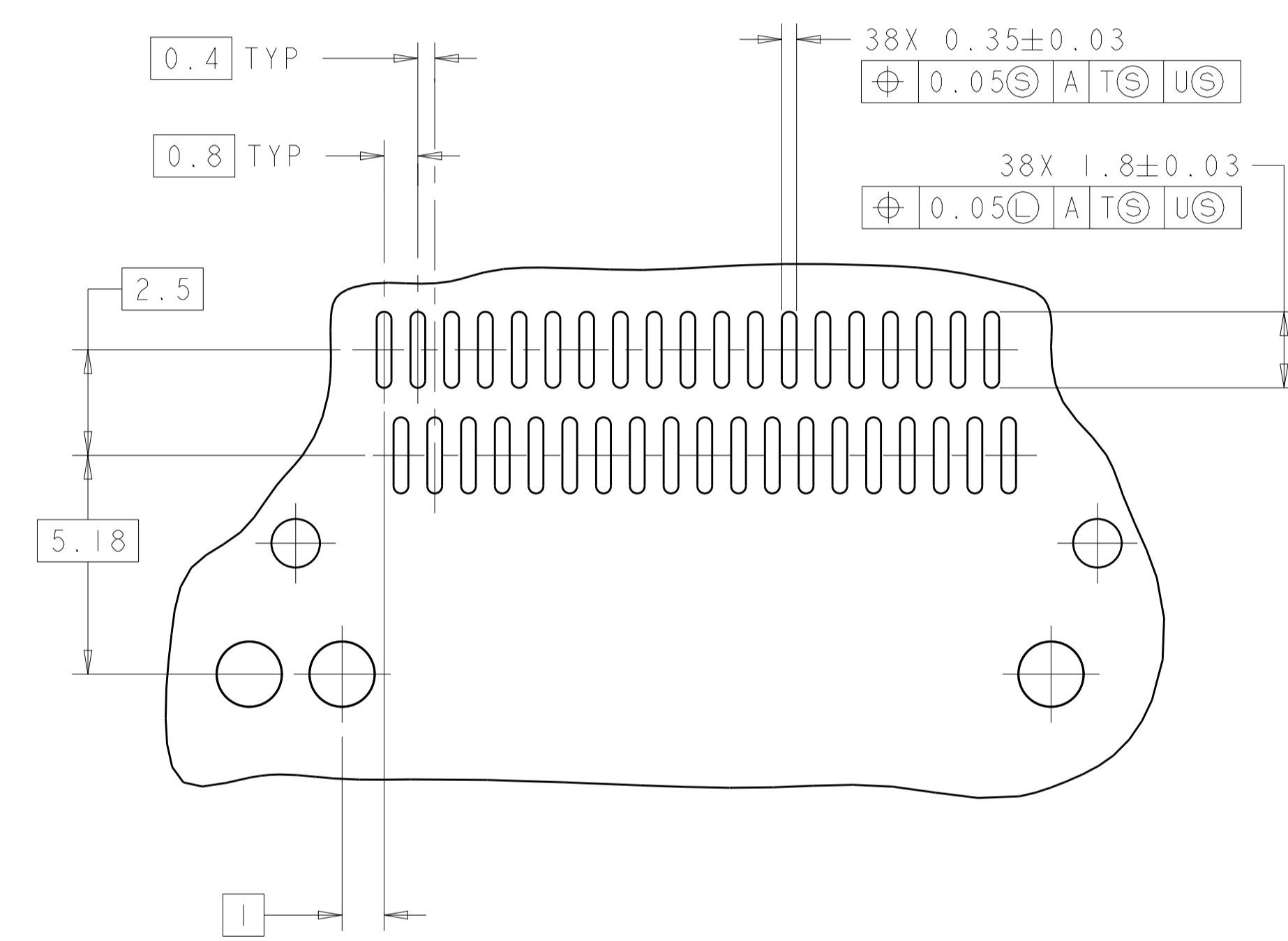
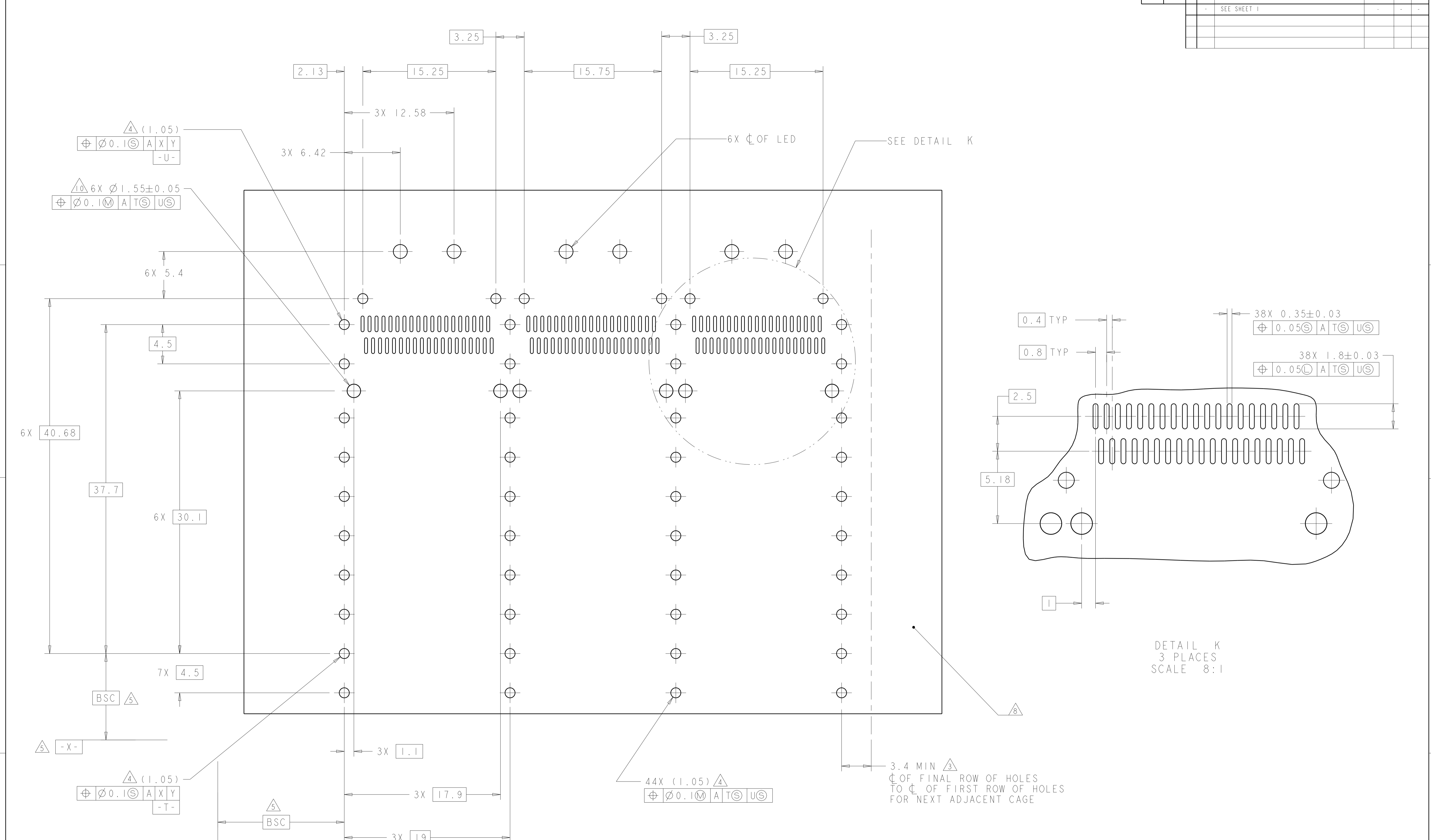


RECOMMENDED PC BOARD LAYOUT
 SINGLE SIDE MOUNT CONFIGURATION
 SCALE 5:1

THIS PRODUCT HAS NOT COMPLETED VALIDATION/QUALIFICATION TESTING

THIS DRAWING IS A CONTROLLED DOCUMENT.		OWN: C. VALENTINE 28FEB2008	TE Connectivity
DIMENSIONS: mm		CHK: E. BRIGHT 28FEB2008	
TOLERANCES UNLESS OTHERWISE SPECIFIED:		APVD: E. BRIGHT 28FEB2008	NAME: 1X3 CAGE ASSEMBLY, BEHIND BEZEL, W/ LIGHT PIPES AND HEAT SINKS, QSFP
0 PLC ±0.1		PRODUCT SPEC: 108-2286	
1 PLC ±0.1		APPLICATION SPEC: 114-13218	SIZE: A100779C=2057042
2 PLC ±0.1		WEIGHT: -	
3 PLC ±0.1		CUSTOMER DRAWING	SCALE: 4:1 SHEET 4 OF 5 REV F
4 PLC ±0.1			
ANGLES ±0.1			
FINISH			

LOC		DIST		REVISIONS				
GP	00	P	LTN	DESCRIPTION	DATE	DWN	APVD	
		-		SEE SHEET 1				



DETAIL K
 3 PLACES
 SCALE 8:1

RECOMMENDED PC BOARD LAYOUT
 BELLY TO BELLY CONFIGURATION
 SEE SHEET 4 FOR COMPONENT
 AND TRACE KEEP-OUTS
 SCALE 5:1

THIS PRODUCT HAS NOT COMPLETED VALIDATION/QUALIFICATION TESTING

THIS DRAWING IS A CONTROLLED DOCUMENT.		DWN C. VALENTINE 28FEB2008	TE Connectivity
DIMENSIONS:		CHK E. BRIGHT 28FEB2008	
mm	TOLERANCES UNLESS OTHERWISE SPECIFIED:	APVD E. BRIGHT 28FEB2008	NAME 1X3 CAGE ASSEMBLY, BEHIND BEZEL, W/ LIGHT PIPES AND HEAT SINKS, QSFP
	0 PLC ± 1 PLC ±0.1 2 PLC ±0.1 3 PLC ± 4 PLC ± ANGLES ±	PRODUCT SPEC 108-2286	SIZE A100779
MATERIAL	FINISH	APPLICATION SPEC 114-13218	CAGE CODE DRAWING NO C=2057042
		WEIGHT	RESTRICTED TO
		CUSTOMER DRAWING	SCALE 4:1 SHEET 5 OF 5 REV F

Компания «Life Electronics» занимается поставками электронных компонентов импортного и отечественного производства от производителей и со складов крупных дистрибьюторов Европы, Америки и Азии.

С конца 2013 года компания активно расширяет линейку поставок компонентов по направлению коаксиальный кабель, кварцевые генераторы и конденсаторы (керамические, пленочные, электролитические), за счёт заключения дистрибьюторских договоров

Мы предлагаем:

- Конкуренеспособные цены и скидки постоянным клиентам.
- Специальные условия для постоянных клиентов.
- Подбор аналогов.
- Поставку компонентов в любых объемах, удовлетворяющих вашим потребностям.
- Приемлемые сроки поставки, возможна ускоренная поставка.
- Доставку товара в любую точку России и стран СНГ.
- Комплексную поставку.
- Работу по проектам и поставку образцов.
- Формирование склада под заказчика.
- Сертификаты соответствия на поставляемую продукцию (по желанию клиента).
- Тестирование поставляемой продукции.
- Поставку компонентов, требующих военную и космическую приемку.
- Входной контроль качества.
- Наличие сертификата ISO.

В составе нашей компании организован Конструкторский отдел, призванный помогать разработчикам, и инженерам.

Конструкторский отдел помогает осуществить:

- Регистрацию проекта у производителя компонентов.
- Техническую поддержку проекта.
- Защиту от снятия компонента с производства.
- Оценку стоимости проекта по компонентам.
- Изготовление тестовой платы монтаж и пусконаладочные работы.



Тел: +7 (812) 336 43 04 (многоканальный)

Email: org@lifeelectronics.ru