



Delphi DCM, Non-Isolated Point of Load DC/DC Power Modules: 2.4-5.5Vin, 0.6-3.3V/12Aout

The Delphi Series DCM, 2.4-5.5V input, single output, non-isolated Point of Load DC/DC converters are the latest offering from a world leader in power systems technology and manufacturing -- Delta Electronics, Inc. The DCM series provides a programmable output voltage from 0.6V to 3.3V using an external resistor and has flexible and programmable tracking features to enable a variety of startup voltages as well as tracking between power modules. This product family is available in surface mount and provides up to 12A of output current in an industry standard footprint. With creative design technology and optimization of component placement, these converters possess outstanding electrical and thermal performance, as well as extremely high reliability under highly stressful operating conditions.

FEATURES

- High efficiency: 95% @ 5.0Vin, 3.3V/12A out
- Small size and low profile: 20.3x 11.4x 8.5mm (0.8"x 0.45"x 0.33")
- Surface mount packaging
- Standard footprint
- Voltage and resistor-based trim
- Pre-bias startup
- Output voltage tracking
- No minimum load required
- Output voltage programmable from 0.6Vdc to 3.3Vdc via external resistor
- Fixed frequency operation
- Input UVLO, output OCP
- Remote on/off
- ISO 9001, TL 9000, ISO 14001, QS9000, OHSAS18001 certified manufacturing facility
- UL/cUL 60950-1 (US & Canada) to be recognized.

OPTIONS

- Negative on/off logic
- Tracking feature

APPLICATIONS

- Telecom / DataCom
- Distributed power architectures
- Servers and workstations
- LAN / WAN applications
- Data processing applications

TECHNICAL SPECIFICATIONS

| PARAMETER | NOTES and CONDITIONS | DCM04S0A0S12PFA | | | |
|--|--|----------------------|--------------------|----------------------|----------------------------|
| | | Min. | Typ. | Max. | Units |
| ABSOLUTE MAXIMUM RATINGS | | | | | |
| Input Voltage (Continuous) | | -0.3 | | 6 | Vdc |
| Tracking Voltage | | -0.3 | | V _{in,max} | Vdc |
| Operating Ambient Temperature | | -40 | | 85 | °C |
| Storage Temperature | | -55 | | 125 | °C |
| INPUT CHARACTERISTICS | | | | | |
| Operating Input Voltage | V _o ≤ V _{in} -0.6 | 2.4 | | 5.5 | V |
| Input Under-Voltage Lockout | | | | | |
| Turn-On Voltage Threshold | | | 2.2 | | V |
| Turn-Off Voltage Threshold | | | 2.0 | | V |
| Maximum Input Current | V _{in} =2.4V to 5.5V, I _o =I _{o,max} | | | 11 | A |
| No-Load Input Current | V _{in} =5V | | 50 | | mA |
| Off Converter Input Current | V _{in} =5V | | 5 | | mA |
| Inrush Transient | | | | 1 | A2S |
| Input Reflected Ripple Current, peak-to-peak | (5Hz to 20MHz, 1μH source impedance; V _{IN} =0 to 5.5V, I _o =I _{o,max} ; | | 49 | | mA _{p-p} |
| Input Ripple Rejection (120Hz) | | | -30 | | dB |
| OUTPUT CHARACTERISTICS | | | | | |
| Output Voltage Set Point | with 0.5% tolerance for external resistor used to set output voltage) | -1.5 | V _{o,set} | +1.5 | % V _{o,set} |
| Output Voltage Adjustable Range | | 0.6 | | 3.3 | V |
| Output Voltage Regulation | | | | | |
| Over Line | For V _o ≥ 2.5V For V _o < 2.5V | | | 0.4 | % V _{o,set} mV |
| Over Load | For V _o ≥ 2.5V For V _o < 2.5V | | | 15 | mV mV |
| Over Temperature | T _a = -40°C to 85°C | | | 0.4 | % V _{o,set} |
| Total Output Voltage Range | Over sample load, line and temperature | -3.0 | | +3.0 | % V _{o,set} |
| Output Voltage Ripple and Noise | 5Hz to 20MHz bandwidth | | | | |
| Peak-to-Peak | Full Load, 0.1μF ceramic, 10μF ceramic | | 25 | 35 | mV |
| RMS | Full Load, 0.1μF ceramic, 10μF ceramic | | 10 | 15 | mV |
| Output Current Range | | 0 | | 12 | A |
| Output Voltage Over-shoot at Start-up | V _{out} =3.3V | | | 3 | % V _{o,set} |
| Output DC Current-Limit Inception | Hiccup mode | | 250 | | % I _{o,max} |
| Output Short-Circuit Current (Hiccup Mode) | I _{o,s/c} | | 2.4 | | Adc |
| DYNAMIC CHARACTERISTICS | | | | | |
| Dynamic Load Response | 10μF Ceramic & 0.1μF Ceramic load cap, 2.5A/μs, C _o =47μ, V _{in} =5V, V _o =1.8V | | | | |
| Positive Step Change in Output Current | 0-50% I _{o,max} | | 200 | | mV |
| Negative Step Change in Output | 50% I _{o,max} -0 | | 200 | | mV |
| Settling Time to 10% of Peak Deviation | | | 20 | | μs |
| Turn-On Transient | I _o =I _{o,max} | | | | |
| Start-Up Time, From On/Off Control | V _{on/off} , V _o =10% of V _{o,set} | | 3 | | ms |
| Start-Up Time, From Input | V _{in} =V _{in,min} , V _o =10% of V _{o,set} | | 3 | | ms |
| Output Voltage Rise Time | Time for V _o to rise from 10% to 90% of V _{o,set} | | 3 | 5 | ms |
| Output Capacitive Load | Full load; ESR ≥ 0.15mΩ | 47 | | 800 | μF |
| EFFICIENCY | | | | | |
| V _o =3.3V | V _{in} =5V, 100% Load | | 95.0 | | % |
| V _o =2.5V | V _{in} =5V, 100% Load | | 94.0 | | % |
| V _o =1.8V | V _{in} =5V, 100% Load | | 91.5 | | % |
| V _o =1.5V | V _{in} =5V, 100% Load | | 90.0 | | % |
| V _o =1.2V | V _{in} =5V, 100% Load | | 89.0 | | % |
| V _o =0.6V | V _{in} =5V, 100% Load | | 81.0 | | % |
| FEATURE CHARACTERISTICS | | | | | |
| Switching Frequency | | | 600 | | kHz |
| ON/OFF Control, (Negative logic) | | | | | |
| Logic Low Voltage | Module On, V _{on/off} | -0.2 | | V _{in} -1.6 | V |
| Logic High Voltage | Module Off, V _{on/off} | V _{in} -0.8 | | V _{in,max} | V |
| Logic Low Current | Module On, I _{on/off} | | | 200 | μA |
| Logic High Current | Module Off, I _{on/off} | | | 1 | mA |
| ON/OFF Control, (Positive Logic) | | | | | |
| Logic High Voltage | Module On, V _{on/off} | 1.6 | | V _{in,max} | V |
| Logic Low Voltage | Module Off, V _{on/off} | -0.3 | | 0.3 | V |
| Logic Low Current | Module On, I _{on/off} | | | 1 | mA |
| Logic High Current | Module Off, I _{on/off} | | | 10 | μA |
| Tracking Slew Rate Capability | | 0.1 | | 2 | V/msec |
| Tracking Delay Time | Delay from V _{in,min} to application of tracking voltage | 10 | | | ms |
| Tracking Accuracy | Power-up 2V/mS | | | 100 | mV |
| | Power-down 1V/mS | | | 100 | mV |
| GENERAL SPECIFICATIONS | | | | | |
| MTBF | I _o =80% of I _{o,max} ; T _a =25°C | | 1 | | M hours |
| Weight | | | 4.8 | | grams |

(T_A = 25°C, airflow rate = 300 LFM, V_{in} = 2.4Vdc to 5.5Vdc, nominal V_{out} unless otherwise noted.)

ELECTRICAL CHARACTERISTICS CURVES

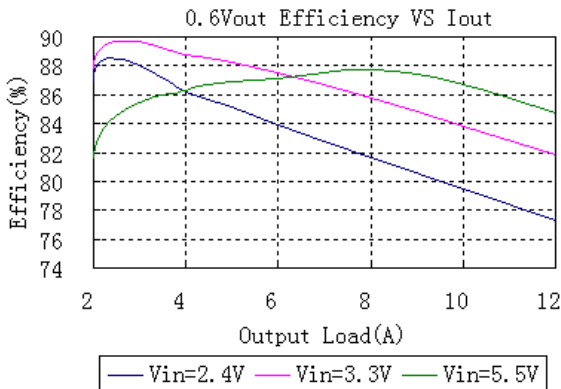


Figure 1: Converter efficiency vs. output current (0.6V out)

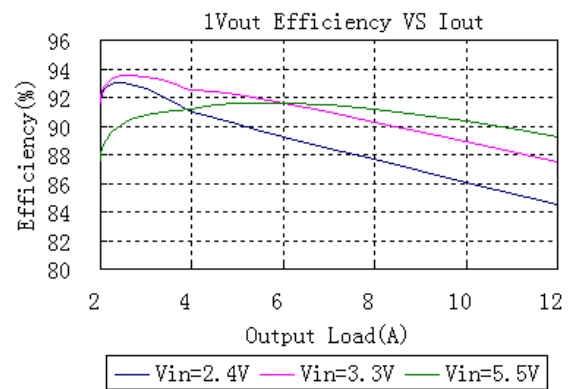


Figure 2: Converter efficiency vs. output current (1.0V out)

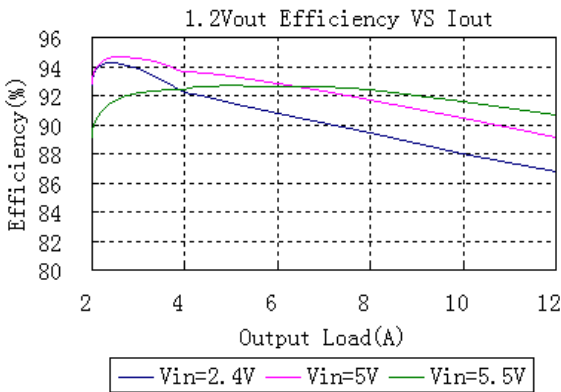


Figure 3: Converter efficiency vs. output current (1.2V out)

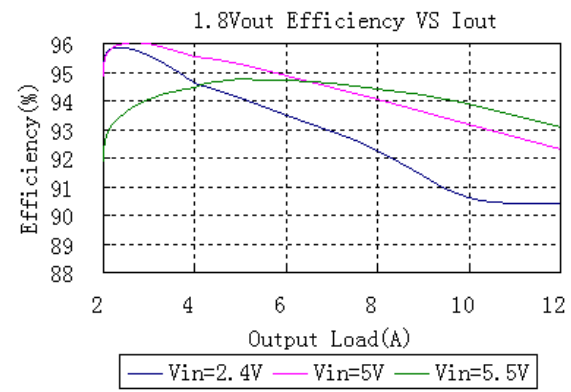


Figure 4: Converter efficiency vs. output current (1.8V out)

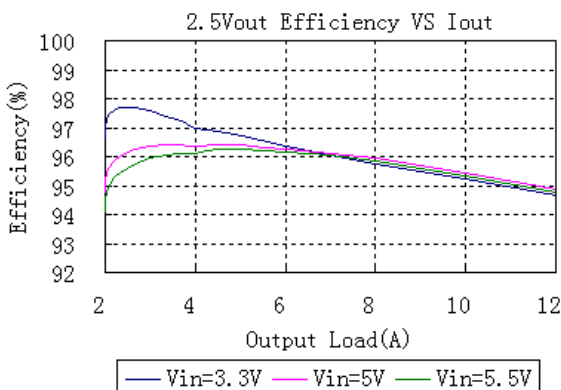


Figure 5: Converter efficiency vs. output current (2.5V out)

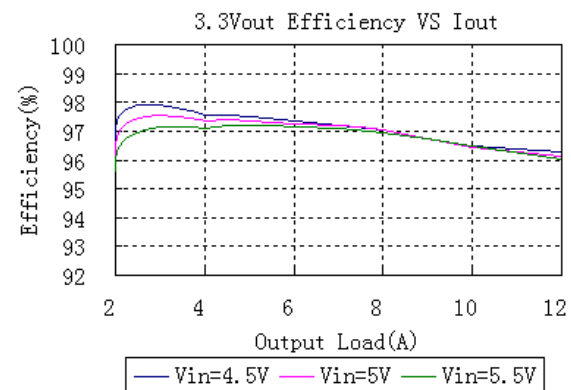


Figure 6: Converter efficiency vs. output current (3.3V out)

ELECTRICAL CHARACTERISTICS CURVES (CON.)

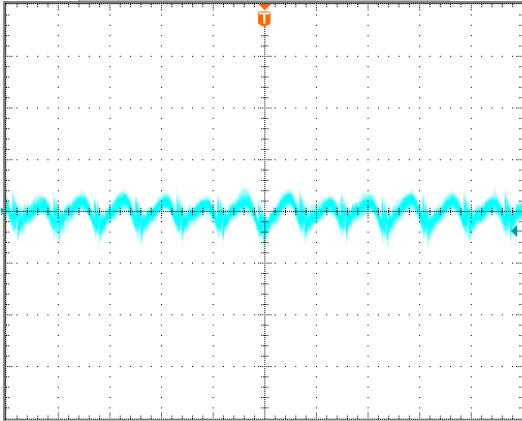


Figure 7: Output ripple & noise at 5Vin, 0.6V/12A out.
(2μs/div and 2mV/div)

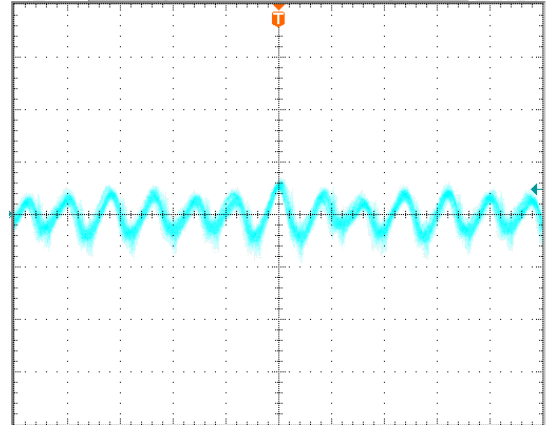


Figure 8: Output ripple & noise at 5Vin, 1.2V/12A out.
(2μs/div and 2mV/div)

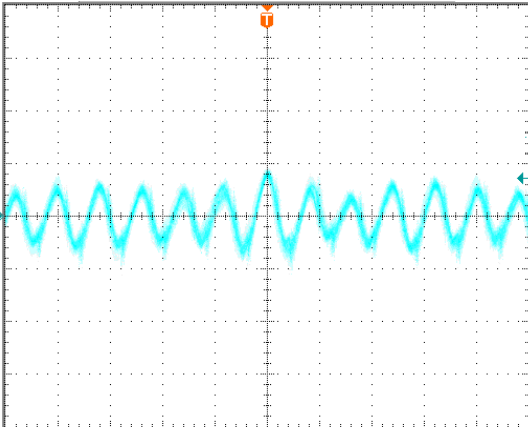


Figure 9: Output ripple & noise at 5Vin, 1.8V/12A out.
(2μs/div and 2mV/div)

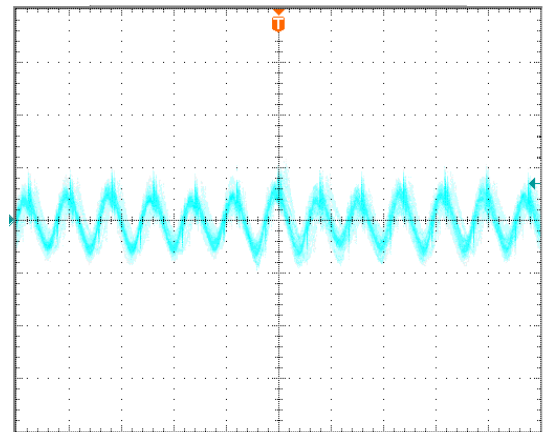


Figure 10: Output ripple & noise at 5Vin, 3.3V/12A out.
(2μs/div and 2mV/div)

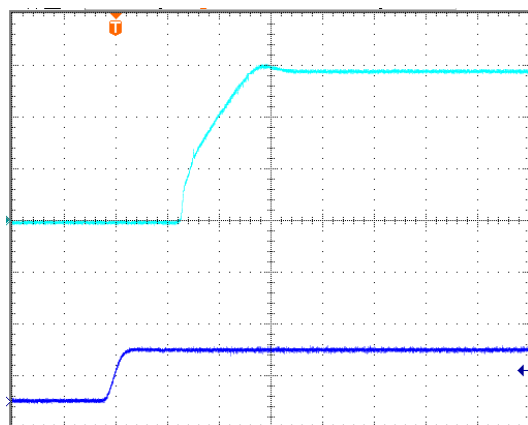


Figure 11: Turn on delay time at 5Vin, 0.6V/12A out(2mS/div), Top trace: Vout 0.2V/div; bottom trace: Vin, 5V/div

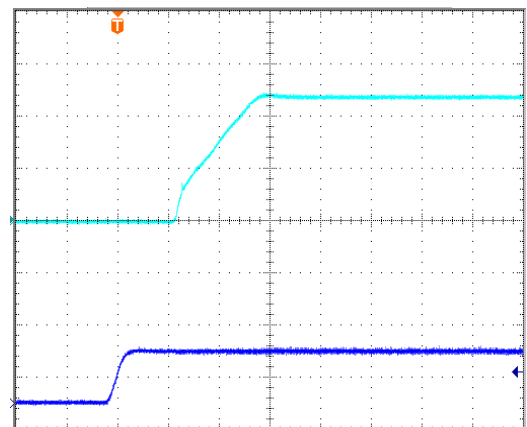


Figure 12: Turn on delay time at 5Vin, 1.2V/12A out(2mS/div), Top trace: Vout 0.5V/div; bottom trace: Vin, 5V/div

ELECTRICAL CHARACTERISTICS CURVES (CON.)

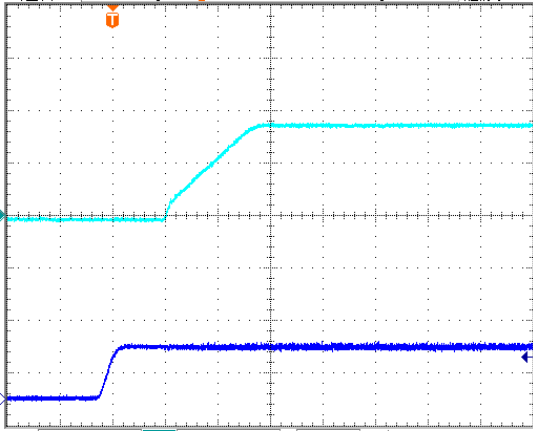


Figure 13: Turn on delay time at 5Vin, 1.8V/12A out(2mS/div), Top trace:Vout 1V/div; bottom trace:Vin,5V/div

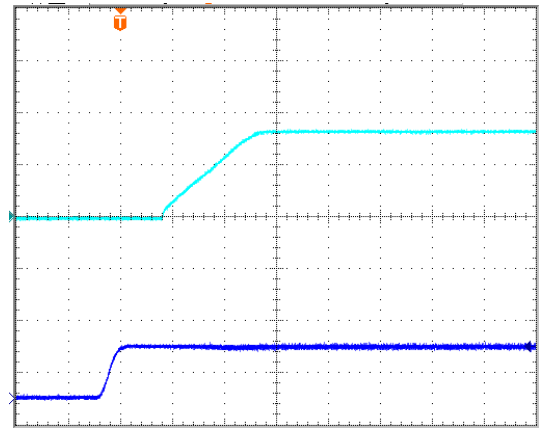


Figure 14: Turn on delay time at 5Vin, 3.3V/12A out(2mS/div), Top trace:Vout 2V/div; bottom trace:Vin,5V/div

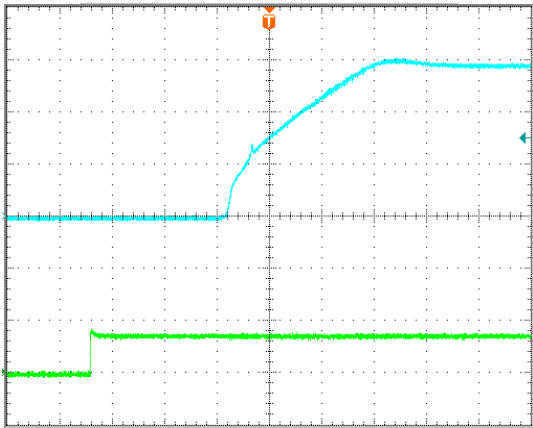


Figure 15: Turn on delay time at remote on/off, 0.6V/12A out(1mS/div), Top trace:Vout 0.2V/div; bottom trace: on/off,2V/div

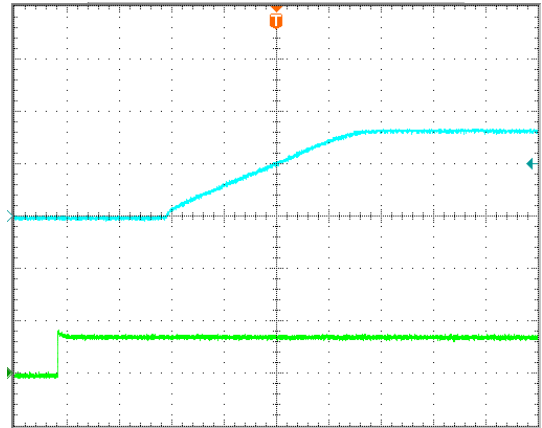


Figure 16: Turn on delay time at remote on/off, 3.3V/12A out(1mS/div), Top trace:Vout 2V/div; bottom trace: on/off,2V/div

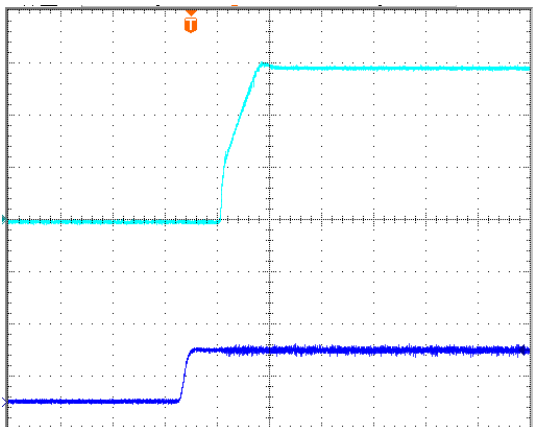


Figure 17: Turn on delay time at remote turn on with external capacitors ($C_o = 800 \mu F$) 5Vin, 0.6V/12A out(4mS/div), Top trace:Vout 0.2V/div; bottom trace:Vin,5V/div

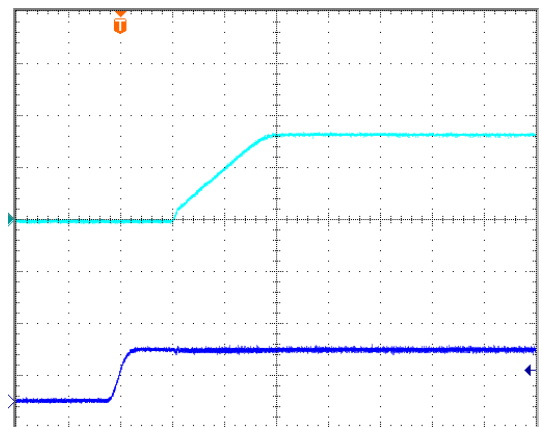


Figure 18: Turn on delay time at remote turn on with external capacitors ($C_o = 800 \mu F$) 5Vin, 3.3V/12A out(2mS/div), Top trace:Vout 2V/div; bottom trace:Vin,5V/div

ELECTRICAL CHARACTERISTICS CURVES

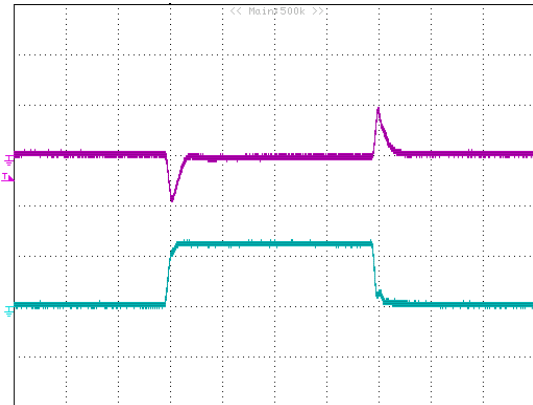


Figure 19: Typical transient response to step load change at $2.5A/\mu S$ from 0% to 50% to 0% of I_o , max at $5V_{in}$, $0.6V_{out}$ (100uS/div) ($C_{out} = 47\mu F$ ceramic).top trace: V_{out} , 0.2V/div;bottom trace: I_{out} :5A/div.

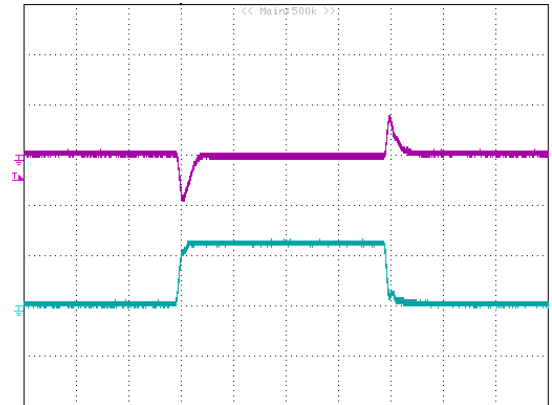


Figure 20: Typical transient response to step load change at $2.5A/\mu S$ from 0% to 50% to 0% of I_o , max at $5V_{in}$, $1.2V_{out}$ (100uS/div) ($C_{out} = 47\mu F$ ceramic).top trace: V_{out} , 0.2V/div;bottom trace: I_{out} :5A/div.

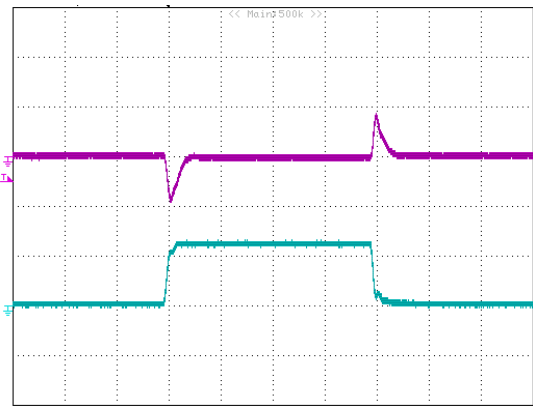


Figure 21: Typical transient response to step load change at $2.5A/\mu S$ from 0% to 50% to 0% of I_o , max at $5V_{in}$, $1.8V_{out}$ (100uS/div) ($C_{out} = 47\mu F$ ceramic).top trace: V_{out} , 0.2V/div;bottom trace: I_{out} :5A/div.

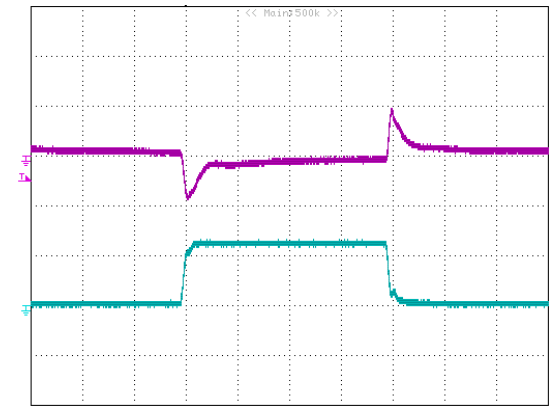


Figure 22: Typical transient response to step load change at $2.5A/\mu S$ from 0% to 50% to 0% of I_o , max at $5V_{in}$, $3.3V_{out}$ (100uS/div) ($C_{out} = 47\mu F$ ceramic).top trace: V_{out} , 0.2V/div;bottom trace: I_{out} :5A/div.

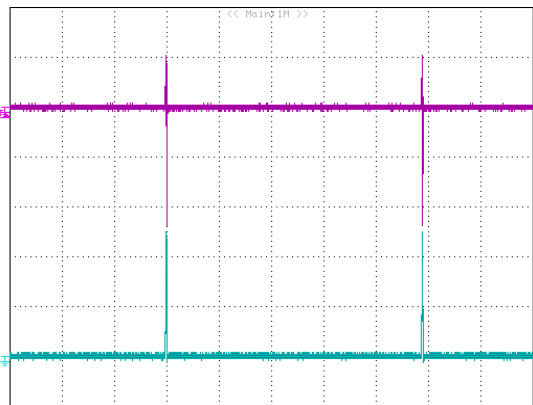


Figure 23: Output short circuit current $5V_{in}$, $3.3V_{out}$ (10mS/div) Top trace: V_{out} , 0.5V/div;Bottom trace: I_{out} , 20A/div

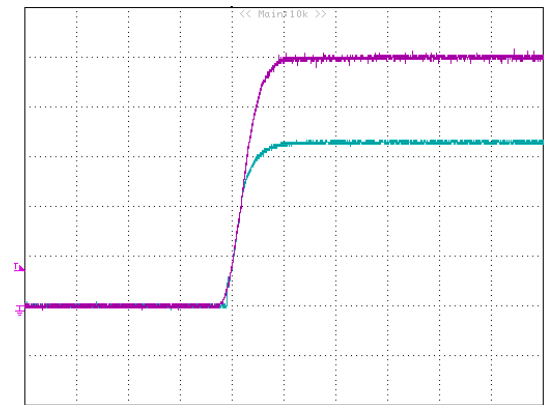
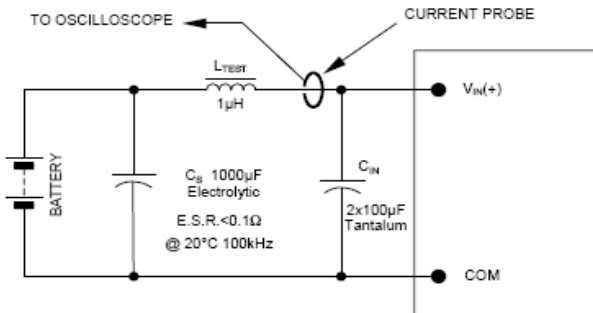


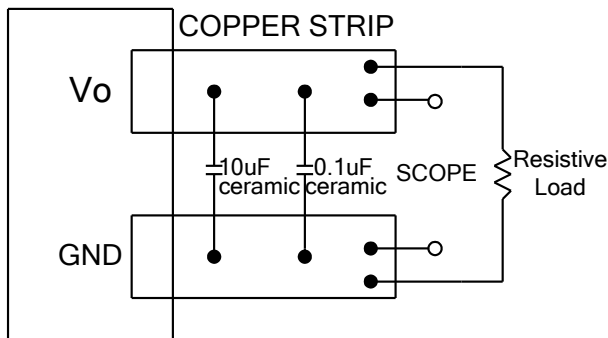
Figure 24: Tracking at $5V_{in}$, $3.3V/0A$ out(1mS/div), tracking voltage=5V, top trace: V_{seq} , 1V/div;bottom trace: V_{out} , 1V/div

TEST CONFIGURATIONS



NOTE: Measure input reflected ripple current with a simulated source inductance (L_{TEST}) of 1µH. Capacitor C_B offsets possible battery impedance. Measure current as shown above.

Figure 25: Input reflected-ripple test setup



Note: Use a 10µF tantalum and 1µF capacitor. Scope measurement should be made using a BNC connector.

Figure 26: Peak-peak output noise and startup transient measurement test setup.

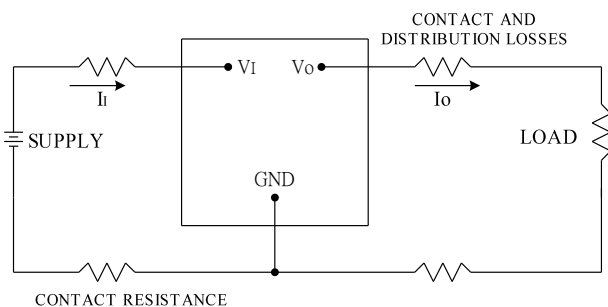


Figure 27: Output voltage and efficiency measurement test setup

Note: All measurements are taken at the module terminals. When the module is not soldered (via socket), place Kelvin connections at module terminals to avoid measurement errors due to contact resistance.

$$\eta = \left(\frac{V_O \times I_O}{V_I \times I_I} \right) \times 100 \%$$

DESIGN CONSIDERATIONS

Input Source Impedance

To maintain low noise and ripple at the input voltage, it is critical to use low ESR capacitors at the input to the module. A highly inductive source can affect the stability of the module. An input capacitance must be placed close to the module's input pins to filter ripple current and ensure module stability in the presence of inductive traces that supply the input voltage to the module.

Safety Considerations

For safety-agency approval the power module must be installed in compliance with the spacing and separation requirements of the end-use safety agency standards.

For the converter output to be considered meeting the requirements of safety extra-low voltage (SELV), the input must meet SELV requirements. The power module has extra-low voltage (ELV) outputs when all inputs are ELV.

The input to these units is to be provided with a maximum 20A fuse in the ungrounded lead.

Input Under voltage Lockout

At input voltages below the input under voltage lockout limit, the module operation is disabled. The module will begin to operate at an input voltage above the under voltage lockout turn-on threshold.

Over-Current Protection

To provide protection in an output over load fault condition, the unit is equipped with internal over-current protection. When the over-current protection is triggered, the unit enters hiccup mode. The units operate normally once the fault condition is removed.

FEATURES DESCRIPTIONS

Remote On/Off

The DCM series power modules have an On/Off pin for remote On/Off operation. Both positive and negative On/Off logic options are available in the DCM series power modules.

For negative logic module, connect an open collector (NPN) transistor or open drain (N channel) MOSFET between the On/Off pin and the GND pin (see figure 28). Negative logic On/Off signal turns the module ON during the logic low and turns the module OFF during the logic high. When the negative On/Off function is not used, tie the pin to GND (module will be On).

For positive logic module, the On/Off pin is pulled high with an external pull-up 5kΩ resistor (see figure 29). Positive logic On/Off signal turns the module ON during logic high and turns the module OFF during logic low. If the Positive On/Off function is not used, tie the pin to Vin. (module will be On)

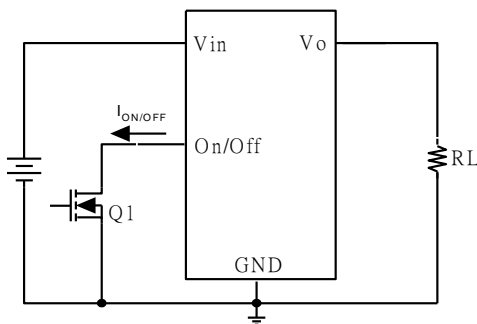


Figure 28: Negative remote On/Off implementation

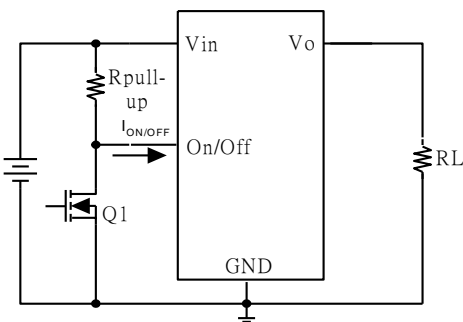


Figure 29: Positive remote On/Off implementation

Remote Sense

The DCM provide Vo remote sensing to achieve proper regulation at the load points and reduce effects of distribution losses on output line. In the event of an open remote sense line, the module shall maintain local sense regulation through an internal resistor. The module shall correct for a total of 0.5V of loss. The remote sense line impedance shall be < 10Ω.

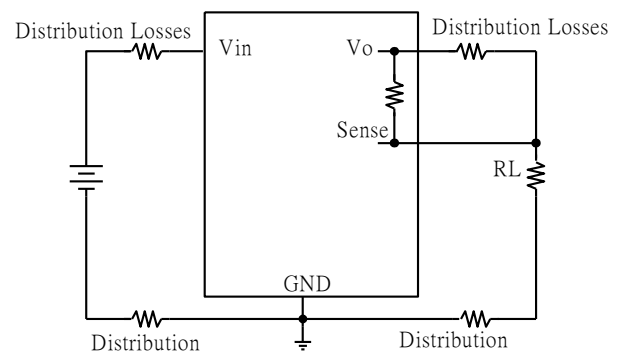


Figure 30: Effective circuit configuration for remote sense operation

Output Voltage Programming

The output voltage of the DCM can be programmed to any voltage between 0.6Vdc and 3.3Vdc by connecting one resistor (shown as Rtrim in Figure 31) between the TRIM and GND pins of the module. Without this external resistor, the output voltage of the module is 0.6 Vdc. To calculate the value of the resistor Rtrim for a particular output voltage Vo, please use the following equation:

$$R_{trim} = \left[\frac{1.2}{V_o - 0.6} \right] k\Omega$$

For example, to program the output voltage of the DCM module to 1.8Vdc, Rtrim is calculated as follows:

$$R_{trim} = \left[\frac{1.2}{1.8 - 0.6} \right] k\Omega = 1K\Omega$$

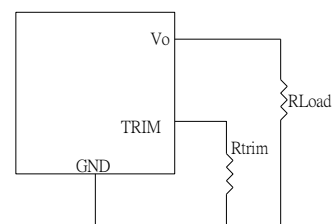


Figure 31: Circuit configuration for programming output voltage using an external resistor

FEATURES DESCRIPTIONS (CON.)

Table 1 provides R_{trim} values required for some common output voltages, By using a 0.5% tolerance trim resistor, set point tolerance of $\pm 1.5\%$ can be achieved as specified in the electrical specification.

Table 1

| | |
|------|--------|
| 0.6V | Open |
| 1V | 3K |
| 1.2V | 2K |
| 1.5V | 1.333K |
| 1.8V | 1K |
| 2.5V | 0.632K |
| 3.3V | 0.444K |

Certain restrictions apply on the output voltage set point depending on the input voltage. These are shown in the Output Voltage vs. Input Voltage Set Point Area plot in Figure 32. The Upper Limit curve shows that for output voltages of 3.3V and lower, the input voltage must be lower than the maximum of 5.5V. The Lower Limit curve shows that for output voltages of 1.8V and higher, the input voltage needs to be larger than the minimum of 2.4V.

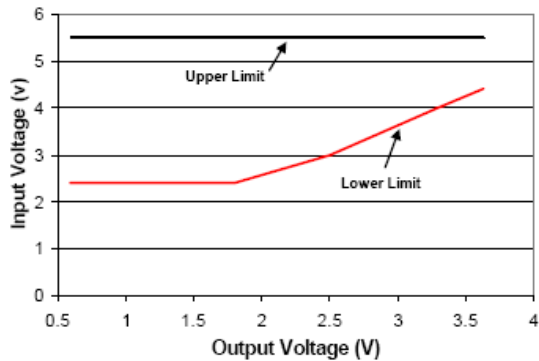


Figure 32: Output Voltage vs. Input Voltage Set Point Area plot showing limits where the output voltage can be set for different input voltages.

Voltage Margining

Output voltage margining can be implemented in the DCM modules by connecting a resistor, $R_{margin-up}$, from the Trim pin to the ground pin for margining-up the output voltage and by connecting a resistor, $R_{margin-down}$, from the Trim pin to the output pin for margining-down. Figure 33 shows the circuit configuration for output voltage margining. If unused, leave the trim pin unconnected. A calculation tool is available from the evaluation procedure which computes the values of $R_{margin-up}$ and $R_{margin-down}$ for a specific output voltage and margin percentage.

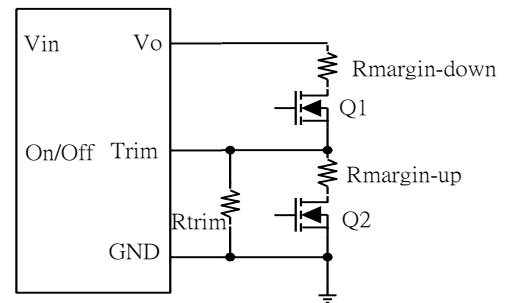


Figure 33: Circuit configuration for output voltage margining

Output Voltage Sequencing

The DCM 12V 12A modules include a sequencing feature, EZ-SEQUENCE that enables users to implement various types of output voltage sequencing in their applications. This is accomplished via an additional sequencing pin. When not using the sequencing feature, either tie the SEQ pin to VIN or leave it unconnected.

When an analog voltage is applied to the SEQ pin, the output voltage tracks this voltage until the output reaches the set-point voltage. The final value of the SEQ voltage must be set higher than the set-point voltage of the module. The output voltage follows the voltage on the SEQ pin on a one-to-one basis. By connecting multiple modules together, multiple modules can track their output voltages to the voltage applied on the SEQ pin.

FEATURE DESCRIPTIONS (CON.)

For proper voltage sequencing, first, input voltage is applied to the module. The On/Off pin of the module is left unconnected (or tied to GND for negative logic modules or tied to VIN for positive logic modules) so that the module is ON by default. After applying input voltage to the module, a minimum 10msec delay is required before applying voltage on the SEQ pin. This delay gives the module enough time to complete its internal power-up soft-start cycle. During the delay time, the SEQ pin should be held close to ground (nominally 50mV ± 20 mV). This is required to keep the internal op-amp out of saturation thus preventing output overshoot during the start of the sequencing ramp. By selecting resistor R1 (see Figure. 34) according to the following equation

$$R1 = \left[\frac{24950}{V_{in} - 0.05} \right] \Omega$$

The voltage at the sequencing pin will be 50mV when the sequencing signal is at zero.

After the 10msec delay, an analog voltage is applied to the SEQ pin and the output voltage of the module will track this voltage on a one-to-one volt bases until the output reaches the set-point voltage. To initiate simultaneous shutdown of the modules, the SEQ pin voltage is lowered in a controlled manner. The output voltage of the modules tracks the voltages below their set-point voltages on a one-to-one basis. A valid input voltage must be maintained until the tracking and output voltages reach ground potential.

When using the EZ-SEQUENCETM feature to control start-up of the module, pre-bias immunity during startup is disabled. The pre-bias immunity feature of the module relies on the module being in the diode-mode during start-up. When using the EZ-SEQUENCETM feature, modules goes through an internal set-up time of 10msec, and will be in synchronous rectification mode when the voltage at the SEQ pin is applied.

This will result in the module sinking current if a pre-bias voltage is present at the output of the module.

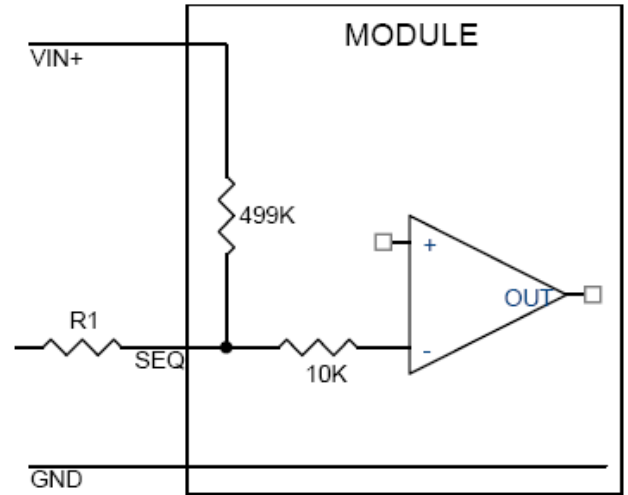


Figure 34: Circuit showing connection of the sequencing signal to the SEQ pin.

Simultaneous

Simultaneous tracking (Figure 35) is implemented by using the TRACK pin. The objective is to minimize the voltage difference between the power supply outputs during power up and down.

The simultaneous tracking can be accomplished by connecting $V_{O_{PS1}}$ to the TRACK pin of PS2. Please note the voltage apply to TRACK pin needs to always higher than the $V_{O_{PS2}}$ set point voltage.

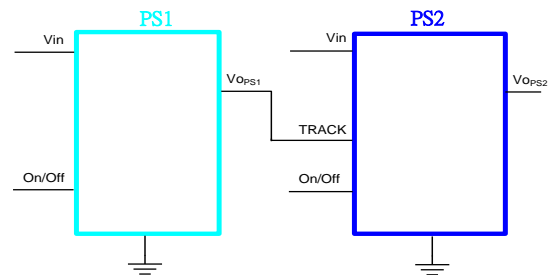


Figure 35

Monotonic Start-up and Shutdown

The DCM 12A modules have monotonic start-up and shutdown behavior for any combination of rated input voltage, output current and operating temperature range.

THERMAL CONSIDERATIONS

Thermal management is an important part of the system design. To ensure proper, reliable operation, sufficient cooling of the power module is needed over the entire temperature range of the module. Convection cooling is usually the dominant mode of heat transfer.

Hence, the choice of equipment to characterize the thermal performance of the power module is a wind tunnel.

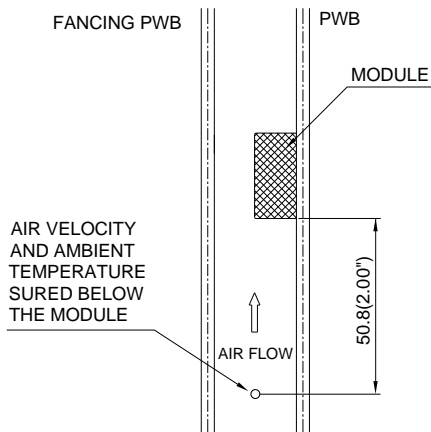
Thermal Testing Setup

Delta's DC/DC power modules are characterized in heated vertical wind tunnels that simulate the thermal environments encountered in most electronics equipment. This type of equipment commonly uses vertically mounted circuit cards in cabinet racks in which the power modules are mounted.

The following figure shows the wind tunnel characterization setup. The power module is mounted on a test PWB and is vertically positioned within the wind tunnel.

Thermal Derating

Heat can be removed by increasing airflow over the module. To enhance system reliability, the power module should always be operated below the maximum operating temperature. If the temperature exceeds the maximum module temperature, reliability of the unit may be affected.



Note: Wind Tunnel Test Setup Figure Dimensions are in millimeters and (Inches)

Figure 36: Wind tunnel test setup

THERMAL CURVES

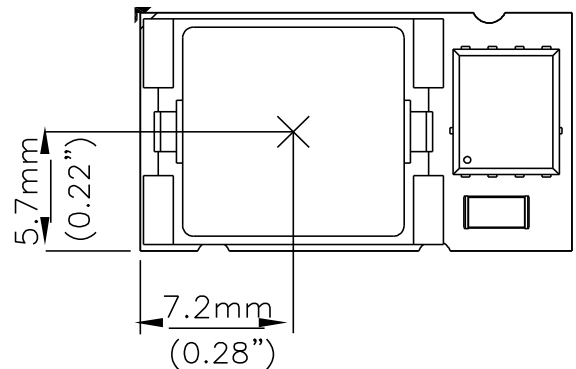


Figure 37: Temperature measurement location

The allowed maximum hot spot temperature is defined at 107°C

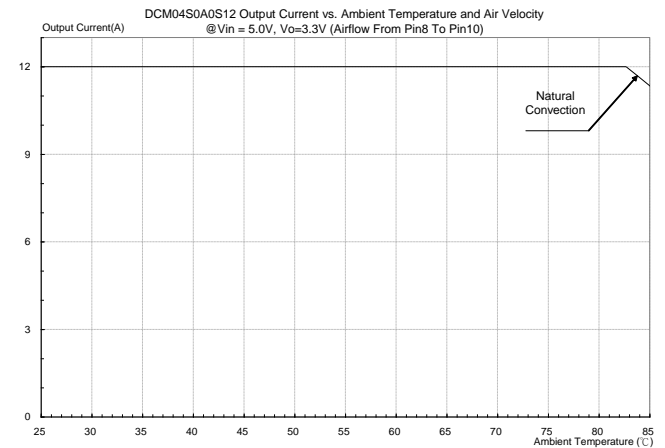


Figure 38: Output current vs. ambient temperature and air velocity @ Vin=5V, Vout=3.3V (Either Orientation)

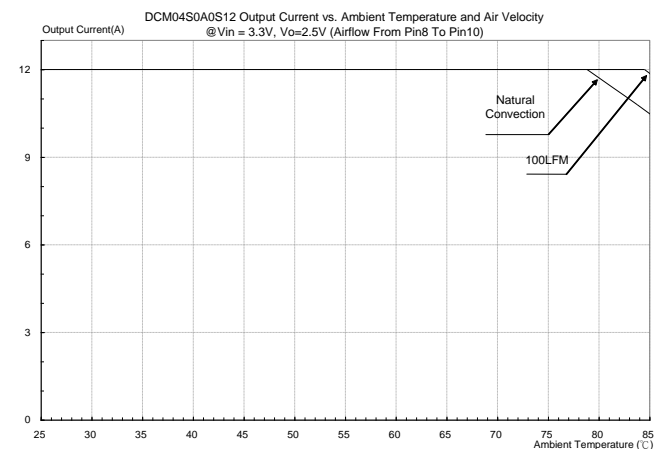


Figure 39: Output current vs. ambient temperature and air velocity @ Vin=3.3V, Vout=2.5V (Either Orientation)

THERMAL CURVES

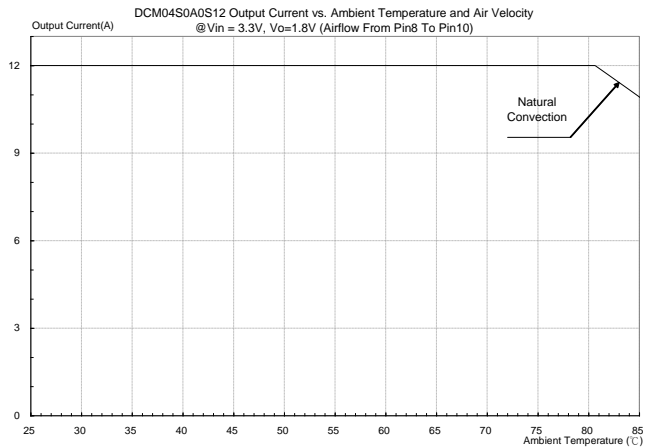


Figure 40: Output current vs. ambient temperature and air velocity @ Vin=3.3V, Vout=1.8V (Either Orientation)

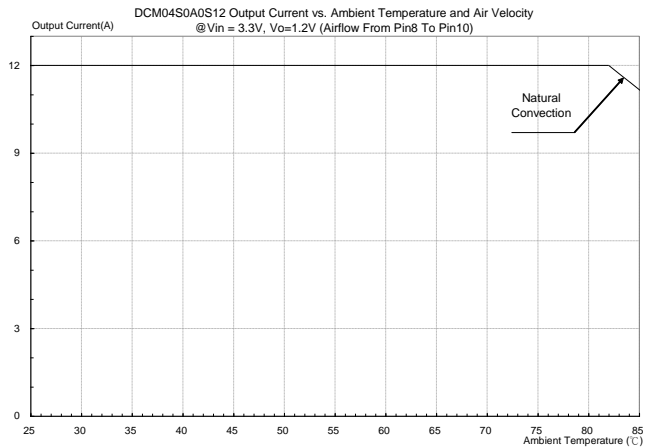


Figure 41: Output current vs. ambient temperature and air velocity @ Vin=3.3V, Vout=1.2V (Either Orientation)

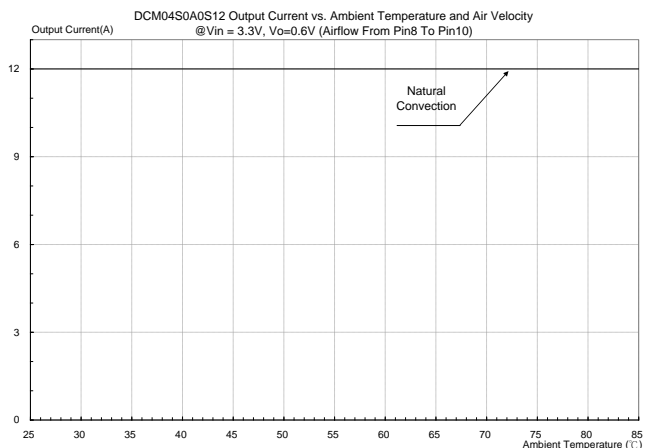
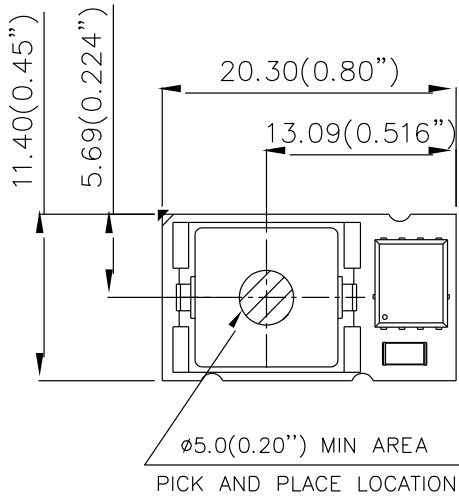


Figure 42: Output current vs. ambient temperature and air velocity @ Vin=3.3V, Vout=0.6V (Either Orientation)

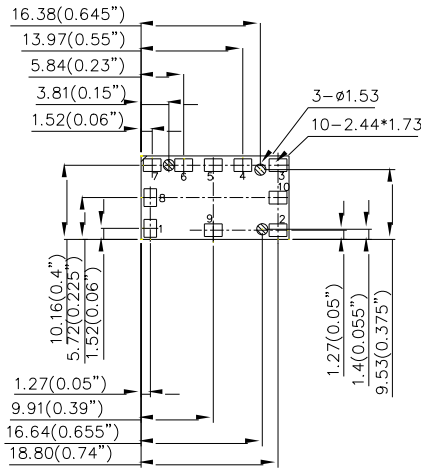
PICK AND PLACE LOCATION



NOTES:

ALL DIMENSIONS ARE IN MILLIMETERS AND (INCHES)
 TOLERANCES: X.Xmm ± 0.5 mm(X.XX in. ± 0.02 in.)
 X.XXmm ± 0.25 mm(X.XXX in. ± 0.010 in.)

RECOMMENDED PAD LAYOUT

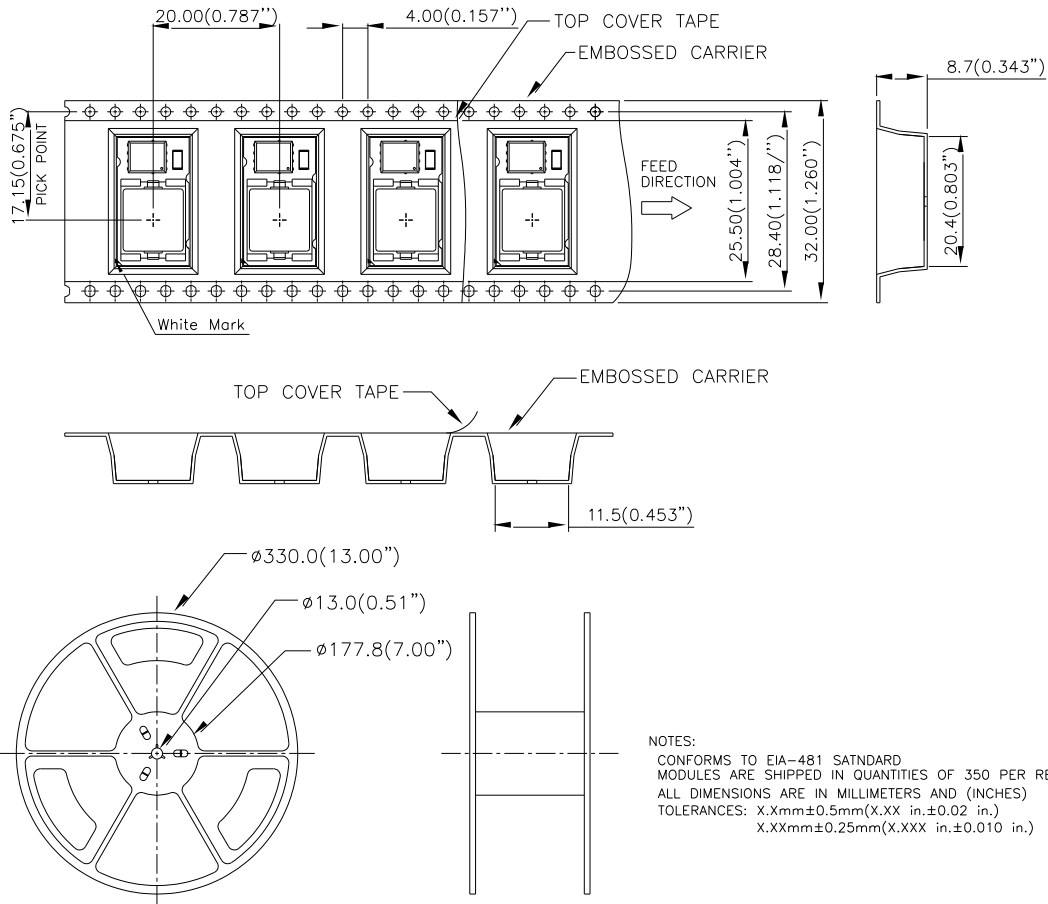


RECOMENDED P.W.B. PAD LAYOUT

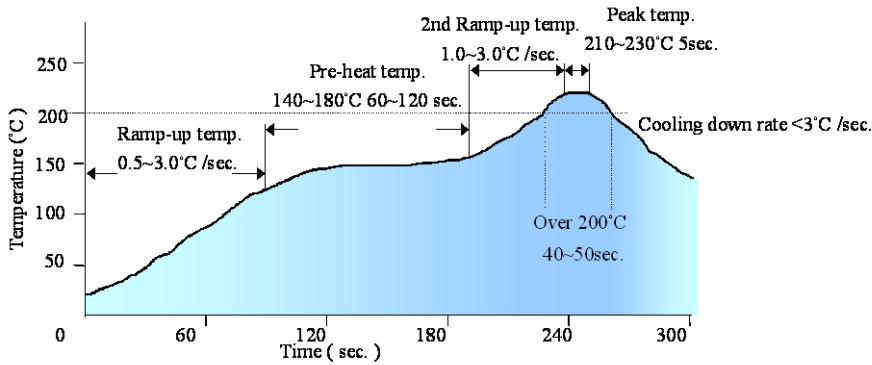
NOTES:
 DIMENSIONS ARE IN MILLIMETERS AND (INCHES)
 TOLERANCES: X.Xmm ± 0.5 mm(X.XX in. ± 0.02 in.)
 X.XXmm ± 0.25 mm(X.XXX in. ± 0.010 in.)

| Pin# | Designation |
|------|-------------|
| 1 | ON/OFF |
| 2 | VIN |
| 3 | SEQ |
| 4 | GND |
| 5 | TRIM |
| 6 | VOUT |
| 7 | VS+ |
| 8 | GND |
| 9 | NC |
| 10 | NC |

SURFACE-MOUNT TAPE & REEL

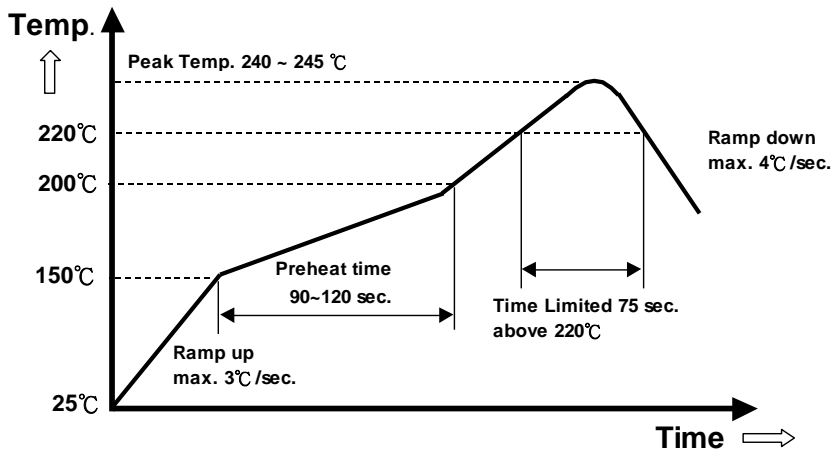


LEAD (Sn/Pb) PROCESS RECOMMEND TEMP. PROFILE



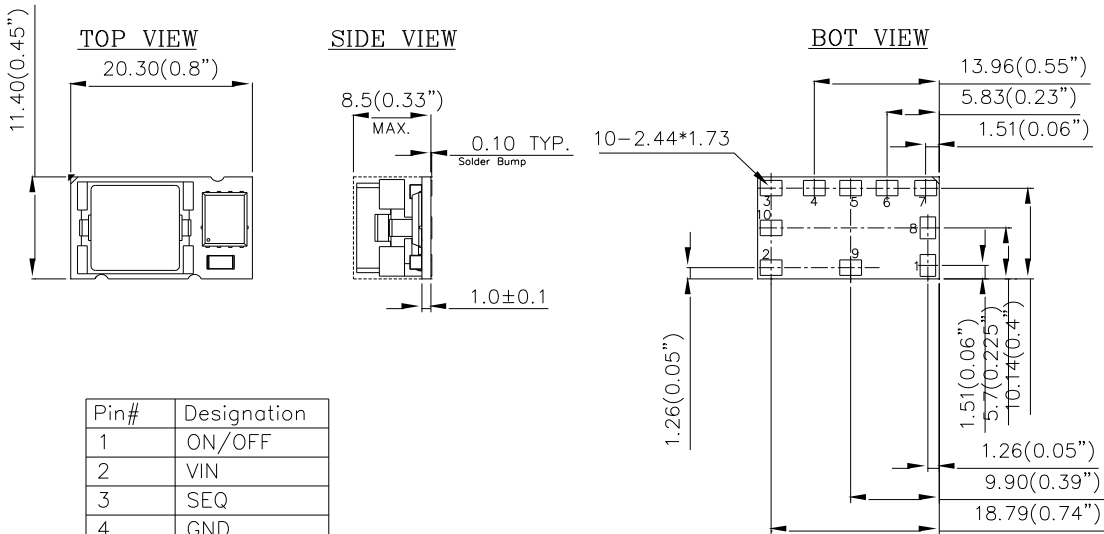
Note: The temperature refers to the pin of DCM, measured on the pin Vout joint.

LEAD FREE (SAC) PROCESS RECOMMEND TEMP. PROFILE



Note: The temperature refers to the pin of DCM, measured on the pin Vout joint.

MECHANICAL DRAWING



| Pin# | Designation |
|------|-------------|
| 1 | ON/OFF |
| 2 | VIN |
| 3 | SEQ |
| 4 | GND |
| 5 | TRIM |
| 6 | VOUT |
| 7 | VS+ |
| 8 | GND |
| 9 | NC |
| 10 | NC |

NOTES:
 DIMENSIONS ARE IN MILLIMETERS AND (INCHES)
 TOLERANCES: X.Xmm±0.5mm(X.XX in.±0.02 in.)
 [unless otherwise indicated]
 X.XXmm±0.25mm(X.XXX in.±0.010 in.)



Part Numbering System

| DCM | 04 | S | 0A0 | S | 12 | P | F | A |
|--|-------------------------------------|--------------------|-----------------------|--------------|---|----------------------------|----------------------------|-----------------------|
| Product Series | Input Voltage | Numbers of Outputs | Output Voltage | Package Type | Output Current | On/Off logic | | Option Code |
| DCS - 3 , 6A DCM - 12A DCL - 20A | 04 - 2.4~5.5V 12 - 4.5~14V | S - Single | 0A0 - Programmable | S - SMD | 03.-3A 06 - 6A 12 - 12A 20 - 20A | N- negative P- positive | F- RoHS 6/6 (Lead Free) | A - Standard Function |

MODEL LIST

| Model Name | Packaging | Input Voltage | Output Voltage | Output Current | Efficiency 5.0V _{in} , 3.3V _{dc} @ 6A |
|-----------------|-----------|---------------|----------------|----------------|--|
| DCM04S0A0S12PFA | SMD | 2.4 ~ 5.5Vdc | 0.6V~ 3.3Vdc | 12A | 95.0% |

CONTACT: www.deltaww.com/dcdc

USA:

Telephone:
East Coast: 978-656-3993
West Coast: 510-668-5100
Fax: (978) 656 3964
Email: DCDC@delta-corp.com

Europe:

Telephone: +31-20-655-0967
Fax: +31-20-655-0999
Email: DCDC@delta-es.com

Asia & the rest of world:

Telephone: +886 3 4526107 x6220~6224
Fax: +886 3 4513485
Email: DCDC@delta.com.tw

WARRANTY

Delta offers a two (2) year limited warranty. Complete warranty information is listed on our web site or is available upon request from Delta.

Information furnished by Delta is believed to be accurate and reliable. However, no responsibility is assumed by Delta for its use, nor for any infringements of patents or other rights of third parties, which may result from its use. No license is granted by implication or otherwise under any patent or patent rights of Delta. Delta reserves the right to revise these specifications at any time, without notice.

Компания «Life Electronics» занимается поставками электронных компонентов импортного и отечественного производства от производителей и со складов крупных дистрибьюторов Европы, Америки и Азии.

С конца 2013 года компания активно расширяет линейку поставок компонентов по направлению коаксиальный кабель, кварцевые генераторы и конденсаторы (керамические, пленочные, электролитические), за счёт заключения дистрибьюторских договоров

Мы предлагаем:

- Конкурентоспособные цены и скидки постоянным клиентам.
- Специальные условия для постоянных клиентов.
- Подбор аналогов.
- Поставку компонентов в любых объемах, удовлетворяющих вашим потребностям.
- Приемлемые сроки поставки, возможна ускоренная поставка.
- Доставку товара в любую точку России и стран СНГ.
- Комплексную поставку.
- Работу по проектам и поставку образцов.
- Формирование склада под заказчика.
- Сертификаты соответствия на поставляемую продукцию (по желанию клиента).
- Тестирование поставляемой продукции.
- Поставку компонентов, требующих военную и космическую приемку.
- Входной контроль качества.
- Наличие сертификата ISO.

В составе нашей компании организован Конструкторский отдел, призванный помогать разработчикам, и инженерам.

Конструкторский отдел помогает осуществить:

- Регистрацию проекта у производителя компонентов.
- Техническую поддержку проекта.
- Защиту от снятия компонента с производства.
- Оценку стоимости проекта по компонентам.
- Изготовление тестовой платы монтаж и пусконаладочные работы.



Тел: +7 (812) 336 43 04 (многоканальный)

Email: org@lifeelectronics.ru