

Description

The 5PB12xx is a high-performance TCXO/LVCMOS clock fanout buffer family with individual OE pin for each output. The CLKIN pin can accept either a square wave (LVCMOS) or clipped sine wave (such as TCXO clipped sine wave output) as input.

There are 3 different fan-out versions available: 1:3, 1:4 and 1:6.

The 5PB12xx has industry-leading low jitter and extremely low current consumption, making it ideal for smart mobile devices.

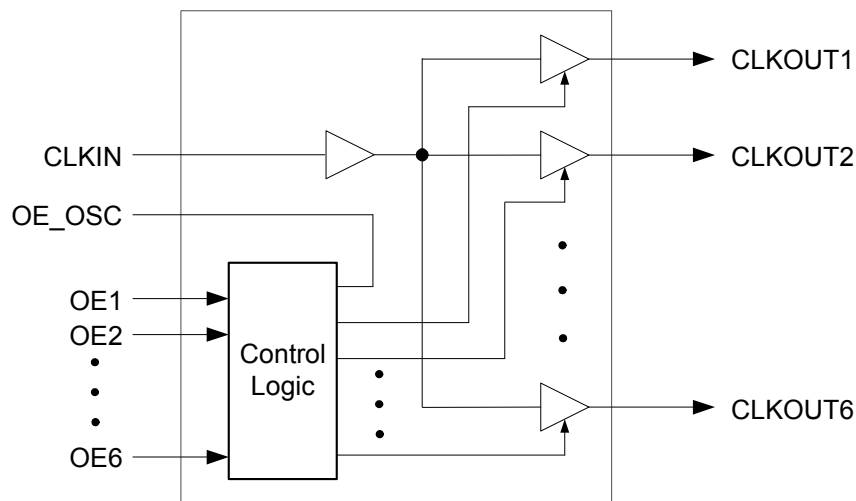
Typical Applications

- Smart Mobile Handsets
- RF and baseband peripheral clock distribution
- Automotive

Features

- Extremely low operating and standby current consumption
- Low RMS additive phase jitter
- Family supports 1.8V to 3.3V power supply voltage:
 - For 1.8V supply: 5PB1203, 5PB1204, 5PB1206
 - For 2.5V / 3.3V supply: 5PB1213, 5PB1214, 5PB1216
- Three, four, and six outputs with individual Output Enable pin
- One input
- OE_OSC control pin to enable/disable reference TCXO/XO
- Small 10-pin, 16-pin and 20-pin packages available
- Industrial -40° to +105°C temperature range

Block Diagram



Pin Assignments



Pin Descriptions

Pin Name	Pin Number			Pin Type	Pin Description
	5PB1203 5PB1213	5PB1204 5PB1214	5PB1206 5PB1216		
VDD	2	2, 7, 12	3, 9, 15	Power	Connect 1.8V to 5PB1203/5PB1204/5PB1206. Connect 2.5V or 3.3V to 5PB1213/5PB1214/5PB1216.
GND	1	3, 9, 14	4, 12, 18	Power	Power supply ground.
CLKIN	3	15	20	Input	Reference input pin. Connect to LVCMOS input or TCXO.
OE_osc	4	6	8	Output	Input Crystal Oscillator enable pin. Follow Enable Function Truth Table. If all OE pins are low then OE_osc is low. Otherwise OE_osc is high, enabling reference crystal oscillator.
OE1	6	16	19	Input	Output Enable pin for CLKOUT1. Active High. Internal 120kΩ pull-down.
OE2	7	1	1	Input	Output Enable pin for CLKOUT2. Active High. Internal 120kΩ pull-down.
OE3	5	4	2	Input	Output Enable pin for CLKOUT3. Active High. Internal 120kΩ pull-down.
OE4	—	5	6	Input	Output Enable pin for CLKOUT4. Active High. Internal 120kΩ pull-down.
OE5	—	—	7	Input	Output Enable pin for CLKOUT5. Active High. Internal 120kΩ pull-down.
OE6	—	—	5	Input	Output Enable pin for CLKOUT6. Active High. Internal 120kΩ pull-down.
CLKOUT1	8	13	17	Output	Clock Output 1. Same frequency as CLKIN.
CLKOUT2	9	11	16	Output	Clock Output 2. Same frequency as CLKIN.
CLKOUT3	10	10	14	Output	Clock Output 3. Same frequency as CLKIN.
CLKOUT4	—	8	13	Output	Clock Output 4. Same frequency as CLKIN.
CLKOUT5	—	—	11	Output	Clock Output 5. Same frequency as CLKIN.
CLKOUT6	—	—	10	Output	Clock Output 6. Same frequency as CLKIN.

Enable Function Truth Table

Input						Output						
OE1	OE2	OE3	OE4	OE5	OE6	OE_OSC	CLKOUT1	CLKOUT2	CLKOUT3	CLKOUT4	CLKOUT5	CLKOUT6
0	0	0	0	0	0	0	Hi-Z	Hi-Z	Hi-Z	Hi-Z	Hi-Z	Hi-Z
1	0	0	0	0	0	1	CLOCK	Hi-Z	Hi-Z	Hi-Z	Hi-Z	Hi-Z
1	1	0	0	0	0	1	CLOCK	CLOCK	Hi-Z	Hi-Z	Hi-Z	Hi-Z
...
1	1	1	1	1	1	1	CLOCK	CLOCK	CLOCK	CLOCK	CLOCK	CLOCK

External Components

A minimum number of external components are required for proper operation. A decoupling capacitor of 0.01 μ F should be connected between VDD on pin 1 and GND on pin 4, as close to the device as possible. A 33 Ω series terminating resistor may be used on each clock output if the trace is longer than 1 inch.

To achieve the low output skew that the 5PB12xx is capable of, careful attention must be paid to board layout. Essentially, all four outputs must have identical terminations, identical loads and identical trace geometries. If they do not, the output skew will be degraded. For example, using a 30 Ω series termination on one output (with 33 Ω on the others) will cause at least 15ps of skew.

Absolute Maximum Ratings

Stresses above the ratings listed below can cause permanent damage to the 5PB12xx. These ratings, which are standard values for IDT commercially rated parts, are stress ratings only. Functional operation of the device at these or any other conditions above those indicated in the operational sections of the specifications is not implied. Exposure to absolute maximum rating conditions for extended periods can affect product reliability. Electrical parameters are guaranteed only over the recommended operating temperature range.

Item	Rating
Supply Voltage, VDD	3.8V
Output Enable and All Inputs/Outputs	-0.5 V to VDD + 0.5 V
Ambient Operating Temperature (extended)	-40 to +105°C
Storage Temperature	-65 to +150°C
Junction Temperature	125°C
Soldering Temperature	260°C

DC Electrical Characteristics

(VDD = 1.8V, 2.5V, 3.3V)

VDD = 1.8V ±5%, for 5PB1203 / 1204 / 1206, ambient temperature -40° to +105°C, unless stated otherwise.

Parameter	Symbol	Conditions	Min.	Typ.	Max.	Units
Operating Voltage	VDD		1.71		1.89	V
Input High Voltage, CLKIN	V _{IH}	LVC MOS input. Note 1	VDD/2 + 200		VDD	mV
Input Low Voltage, CLKIN	V _{IL}	LVC MOS input. Note 1			VDD/2 - 200	mV
Input High Voltage, OE	V _{IH}		0.7xVDD		VDD	V
Input Low Voltage, OE	V _{IL}				0.3xVDD	V
Output High Voltage	V _{OH}	I _{OH} = -4mA	0.8xVDD			V
Output Low Voltage	V _{OL}	I _{OL} = 4mA			0.2xVDD	V
Nominal Output Impedance	Z _O			17		Ω
Input Capacitance	C _{IN}			5		pF
Operating Supply Current						
5PB1203	IDD	CLKIN = 26MHz, all outputs enabled		5.10		mA
		CLKIN = Low or High, all outputs disabled		0.02	0.03	
5PB1204		CLKIN = 26MHz, all outputs enabled		9.30		
		CLKIN = Low or High, all outputs disabled		2.51	4	
5PB1206		CLKIN = 26MHz, all outputs enabled		11.90		
		CLKIN = Low or High, all outputs disabled		2.5	4	

VDD = 2.5V ±5%, for 5PB1213 / 1214 / 1216, ambient temperature -40° to +105°C, unless stated otherwise.

Parameter	Symbol	Conditions	Min.	Typ.	Max.	Units
Operating Voltage	VDD		2.375		2.625	V
Input High Voltage, CLKIN	V _{IH}	LVC MOS input. Note 1	VDD/2 + 200		VDD	mV
Input Low Voltage, CLKIN	V _{IL}	LVC MOS input. Note 1			VDD/2 - 200	mV
Input High Voltage, OE	V _{IH}		0.7xVDD		VDD	V
Input Low Voltage, OE	V _{IL}				0.3xVDD	V
Output High Voltage	V _{OH}	I _{OH} = -4mA	0.8xVDD			V
Output Low Voltage	V _{OL}	I _{OL} = 4mA			0.2xVDD	V
Nominal Output Impedance	Z _O			17		Ω
Input Capacitance	C _{IN}	ICLK, OE pin		5		pF
Operating Supply Current						
5PB1213	IDD	CLKIN = 26MHz, all outputs enabled		6.68		mA
		CLKIN = Low or High, all outputs disabled		0.05	0.5	
5PB1214		CLKIN = 26MHz, all outputs enabled		10.2		
		CLKIN = Low or High, all outputs disabled		3.47	5	
5PB1216		CLKIN = 26MHz, all outputs enabled		16.5		
		CLKIN = Low or High, all outputs disabled		3.50	5	

VDD = 3.3V ±5%, for 5PB1213 / 1214 / 1216, ambient temperature -40° to +105°C, unless stated otherwise

Parameter	Symbol	Conditions	Min.	Typ.	Max.	Units
Operating Voltage	VDD		3.135		3.465	V
Input High Voltage, CLKIN	V _{IH}	LVC MOS input. Note 1	VDD/2 + 200		VDD	mV
Input Low Voltage, CLKIN	V _{IL}	LVC MOS input. Note 1			VDD/2 - 200	mV
Input High Voltage, OE	V _{IH}		0.7xVDD		VDD	V
Input Low Voltage, OE	V _{IL}				0.3xVDD	V
Output High Voltage	V _{OH}	I _{OH} = -4mA	0.8xVDD			V
Output Low Voltage	V _{OL}	I _{OL} = 4mA			0.2xVDD	V
Nominal Output Impedance	Z _O			17		Ω
Input Capacitance	C _{IN}	ICLK, OE pin		5		pF
Operating Supply Current						
5PB1213	IDD	CLKIN = 26MHz, all outputs enabled		9.10		mA
		CLKIN = Low or High, all outputs disabled		0.22	0.5	
5PB1214		CLKIN = 26MHz, all outputs enabled		13.4		
		CLKIN = Low or High, all outputs disabled		4.28	7	
5PB1216		CLKIN = 26MHz, all outputs enabled		21.4		
		CLKIN = Low or High, all outputs disabled		4.60	7	

Notes: 1. Nominal switching threshold is VDD/2.

AC Electrical Characteristics

(VDD = 1.8V, 2.5V, 3.3V)

VDD = 1.8V ±5%; for 5PB1203 / 1204 / 1206, ambient Temperature -40° to +105°C, unless stated otherwise

Parameter	Symbol	Conditions	Min.	Typ.	Max.	Units
Input Frequency			0		200	MHz
Output Rise Time	t _{OR}	0.36 to 1.44V, C _L = 5pF		0.6	1.0	ns
Output Fall Time	t _{OF}	1.44 to 0.36V, C _L = 5pF		0.6	1.0	ns
Propagation Delay	Note 1	Note 1	1.5	2.0	2.5	ns
Buffer Additive Phase Jitter, RMS		26MHz TCXO clipped sine wave input, Integration Range: 12kHz to 20MHz		420		fs
		125MHz LVCMOS input, Integration Range: 12kHz to 20MHz		42		fs
Output to Output Skew	t _{SKEWO-O}	Note 2, Rising edges at VDD/2		20	50	ps
Device to Device Skew	t _{SKEWD-D}	Rising edges at VDD/2			200	ps
Delay for Output Enable / Disable Time ENABLEx to BCLKn	t _{EN} /t _{DIS}	CL < 5pF			3	cycles
Start-up Time	t _{START-UP}				2	ms
TCXO Clock Clipped Sine Wave Input Voltage Swing Level	V _{INpp}	VDD = 1.8V, should connect to CLKIN through AC coupling and bias circuit		0.8		V

VDD = 2.5V ±5%; for 5PB1213 / 1214 / 1216, ambient Temperature -40° to +105°C, unless stated otherwise

Parameter	Symbol	Conditions	Min.	Typ.	Max.	Units
Input Frequency			0		200	MHz
Output Rise Time	t _{OR}	0.5 to 2.0V, C _L = 5pF		0.6	1.0	ns
Output Fall Time	t _{OF}	2.0 to 0.5V, C _L = 5pF		0.6	1.0	ns
Propagation Delay	Note 1	Note 1	1.7	2.2	2.7	ns
Buffer Additive Phase Jitter, RMS		26MHz TCXO clipped sine wave input, Integration Range: 12kHz to 20MHz		280		fs
		125MHz LVCMOS input, Integration Range: 12kHz to 20MHz		30		fs
Output to Output Skew	t _{SKEWO-O}	Note 2, Rising edges at VDD/2		20	50	ps
Device to Device Skew	t _{SKEWD-D}	Rising edges at VDD/2			200	ps
Delay for Output Enable / Disable Time ENABLEx to BCLKn	t _{EN} /t _{DIS}	CL < 5pF			3	cycles
Start-up Time	t _{START-UP}	Part start-up time for valid outputs after VDD ramp-up			2	ms
TCXO Clock Clipped Sine Wave Input Voltage Swing Level	V _{INpp}	VDD = 2.5V, should connect to CLKIN through AC coupling and bias circuit		0.8		V

VDD = 3.3V ±5%; for 5PB1213 / 1214 / 1216, ambient Temperature -40° to +105°C, unless stated otherwise

Parameter	Symbol	Conditions	Min.	Typ.	Max.	Units
Input Frequency			0		200	MHz
Output Rise Time	t _{OR}	0.66 to 2.64V, C _L = 5pF		0.6	1.0	ns
Output Fall Time	t _{OF}	2.64 to 0.66V, C _L = 5pF		0.6	1.0	ns
Propagation Delay	Note 1	Note 1	1.4	1.9	2.4	ns
Buffer Additive Phase Jitter, RMS		26MHz TCXO clipped sine wave input, Integration Range: 12kHz to 20MHz		377		fs
		125MHz LVCMOS input, Integration Range: 12kHz to 20MHz		18		fs
Output to Output Skew	t _{SKEWO-O}	Note 2, Rising edges at VDD/2		20	50	ps
Device to Device Skew	t _{SKEWD-D}	Rising edges at VDD/2			200	ps
Delay for Output Enable / Disable Time ENABLEx to BCLKn	t _{EN} /t _{DIS}	CL < 5pF			3	cycles
Start-up Time	t _{START-UP}	Part start-up time for valid outputs after VDD ramp-up			2	ms
TCXO Clock Clipped Sine Wave Input Voltage Swing Level	V _{INpp}	VDD = 3.3V, should connect to CLKIN through AC coupling and bias circuit		0.5		V

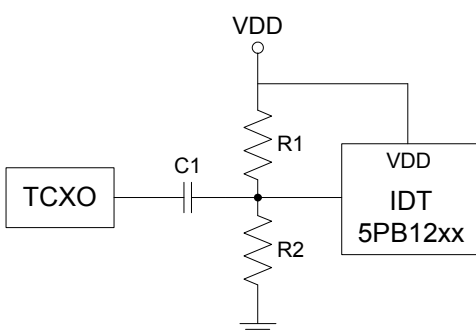
Notes:

1. With rail to rail input clock.
2. Between any 2 outputs with equal loading.
3. Duty cycle on outputs will match incoming clock duty cycle. Consult IDT for tight duty cycle clock generators.

Test Load and Circuit

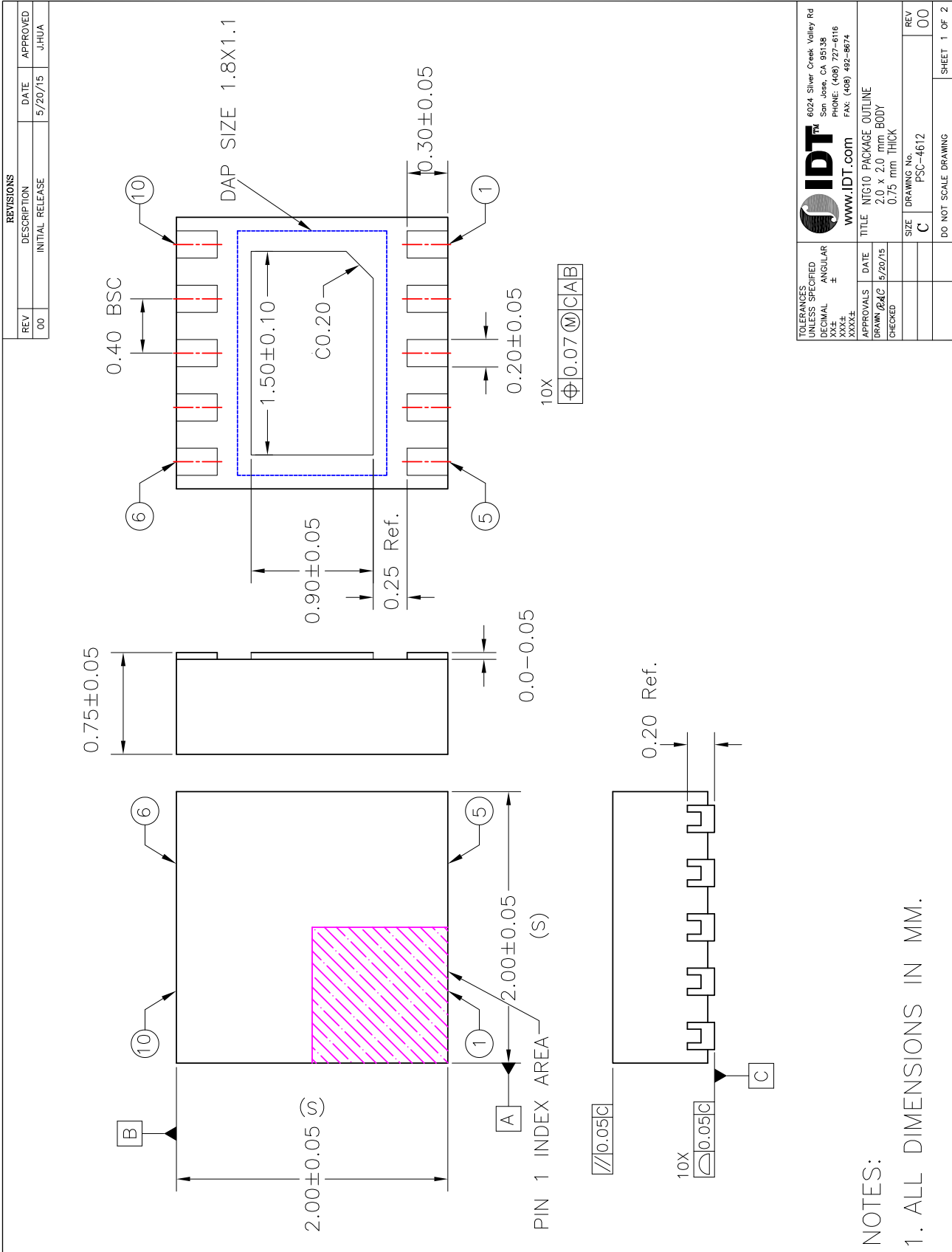


AC Coupling and Bias Circuit



Component	Value
C1	1μF
R1	10k
R2	10k

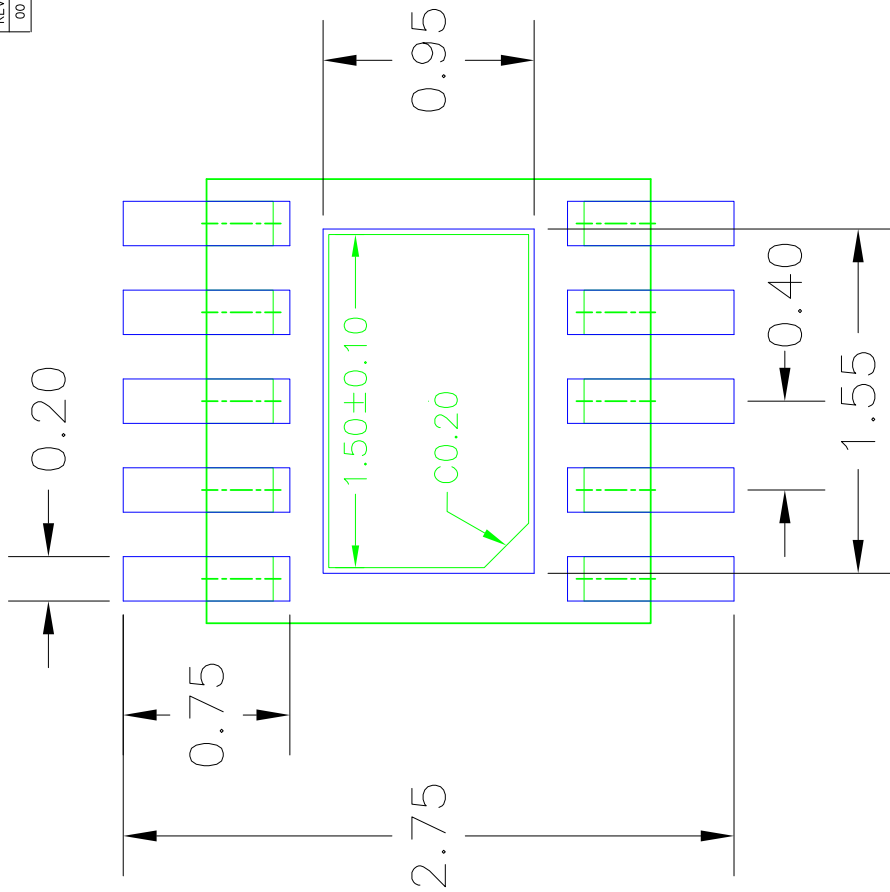
Package Outline Drawings (5PB1203 / 5PB1213 10-pin DFN)



TOLERANCES UNLESS SPECIFIED DECIMAL ± XXX ± XXX ±	6024 Silver Creek Valley Rd San Jose, CA 95138 PHONE: (408) 727-6116 FAX: (408) 492-8674 www.IDT.com		
	APPROVALS	DATE	TITLE
	DRAWN: QAC	5/20/15	10G10 PACKAGE OUTLINE
	CHECKED		2.0 x 2.0 mm BODY 0.75 mm THICK
		SIZE	REV
		C	00
		DO NOT SCALE DRAWING	
			SHEET 1 OF 2

Package Outline Drawings (5PB1203 / 5PB1213 10-pin DFN), cont.

REVISIONS		
REV	DESCRIPTION	DATE
00	INITIAL RELEASE	5/20/15
	APPROVED	J.HUA



RECOMMENDED LAND PATTERN DIMENSION

NOTES:

1. ALL DIMENSIONS ARE IN mm. ANGLES IN DEGREES.
2. TOP DOWN VIEW, AS VIEWED ON PCB.
3. COMPONENT OUTLINE IS SHOWN FOR REFERENCE IN GREEN.
4. LAND PATTERN IN BLUE. NSMD PATTERN ASSUMED.
5. LAND PATTERN RECOMMENDATION PER IPC-7351B GENERIC REQUIREMENT FOR SURFACE MOUNT DESIGN AND LAND PATTERN.

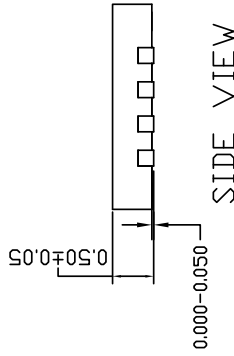
TOLERANCES UNLESS SPECIFIED	6024 Silver Creek Valley Rd San Jose, CA 95138	
DECIMAL	PHONE: (408) 727-6116	
XXX±	FAX: (408) 492-8674	
XXXX±	WWW.IDT.COM	
APPROVALS	DATE	TITLE
DRAWN/BJC	5/20/15	1010 PACKAGE OUTLINE
CHECKED		2.0 x 2.0 mm BODY
		0.75 mm THICK
	SIZE	REV
	C	00
	DRAWING No.	PSC-4612
	DO NOT SCALE DRAWING	
	SHEET 2 OF 2	

Package Outline Drawings (5PB1204 / 5PB1214 16-pin VFQFPN)

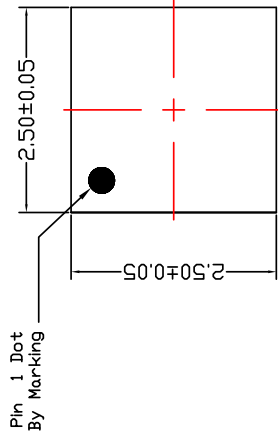
REVISIONS			
REV	DESCRIPTION	DATE	APPROVED
00	INITIAL RELEASE	04/03/14	JH
01	ADD PIN1 CHAMFER	12/11/14	JH



BOTTOM VIEW



SIDE VIEW



TOP VIEW

TOLERANCES UNLESS SPECIFIED DECIMAL X± ANGULAR ±1° XXX± XXXX±	APPROVALS	DATE	TITLE	
	DRAWN BY	04/03/14	CMG 16 PACKAGE OUTLINE	
CHECKED			2.5 x 2.5 mm BODY	
			0.40 mm PITCH VFQFN	
			SIZE	DRAWING No.
			C	PSC-4478
			REV	01
DO NOT SCALE DRAWING			SHEET 1 OF 2	

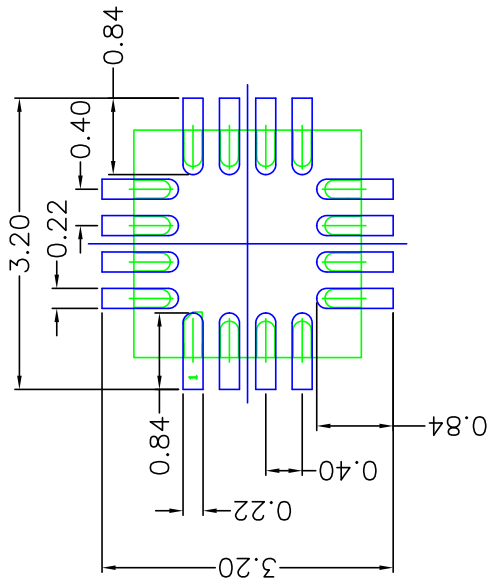
6024 Silver Creek Valley Road
San Jose, CA 95138
PHONE: (408) 284-8200
FAX: (408) 284-8591
WWW.IDT.COM

NOTES:

1. ALL DIMENSIONING AND TOLERANCING CONFORM TO ANSI Y14.5M-1982
2. ALL DIMENSIONS ARE IN MILLIMETERS.

Package Outline Drawings (5PB1204 / 5PB1214 16-pin VFQFPN), cont.

REVISIONS			
REV	DESCRIPTION	DATE	APPROVED
00	INITIAL RELEASE	04/03/14	JH
01	ADD PIN1 CHAMFER	12/11/14	JH



RECOMMENDED LAND PATTERN DIMENSION

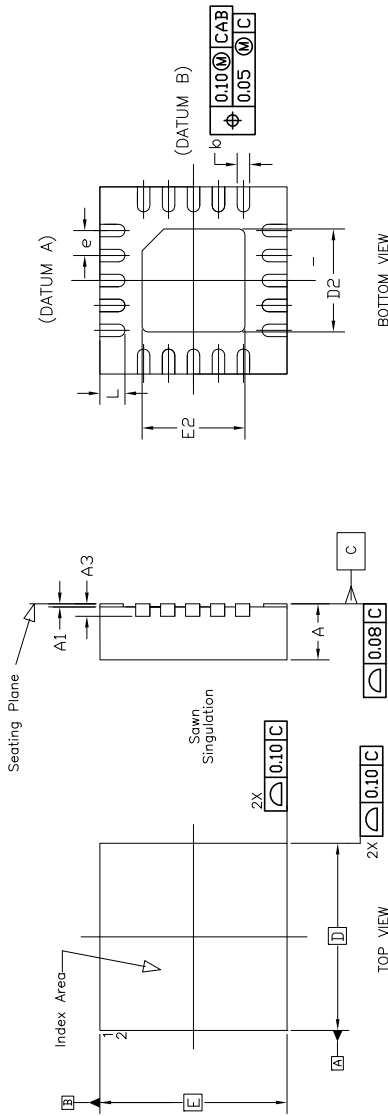
NOTES:

1. ALL DIMENSIONS ARE IN MM. ANGLES IN DEGREES.
2. TOP DOWN VIEW AS VIEWED ON PCB.
3. COMPONENT OUTLINE IS SHOWN FOR REFERENCE IN GREEN.
4. LAND PATTERN IN BLUE. NSMD PATTERN ASSUMED.
5. LAND PATTERN RECOMMENDATION PER IPC-7351B GENERIC REQUIREMENT FOR SURFACE MOUNT DESIGN AND LAND PATTERN.

TOLERANCES UNLESS SPECIFIED DECIMAL XX. XXX±	ANGULAR ±1°	IDT™ 6024 Silver Creek Valley Road San Jose CA 95138 PHONE: (408) 284-8200 FAX: (408) 284-8591 WWW.IDT.COM	TITLE CMG 16 PACKAGE OUTLINE	
	APPROVALS		DATE 04/03/14	2.5 x 2.5 mm BODY 0.40 mm PITCH VFQFN
DRAWN JSC	CHECKED	SIZE C	DRAWING No. PSC-4478	REV 01
DO NOT SCALE DRAWING			SHEET 2 OF 2	

Package Outline Drawings (5PB1206 / 5PB1216 20-pin VFQFPN)

REVISIONS			
REV	DESCRIPTION	DATE	APPROVED
00	INITIAL RELEASE	3/30/16	JH



Symbol	DIMENSION		
	Min	Norm	Max
A	0.80	0.90	1.00
A1	0	0.02	0.05
A3	0.20 Ref		
b	0.17	0.20	0.25
e	0.40 BASIC		
N	20		
ND	5		
NE	5		
D	3.00 BASIC		
E	3.00 BASIC		
D2	1.55	1.65	1.75
E2	1.55	1.65	1.75
L	0.30	0.40	0.50

- NOTE :
1. ALL DIMENSIONS ARE IN mm; ANGLES IN DEGREES.
 2. COPLANARITY APPLIES TO THE EXPOSED PAD AS WELL AS THE TERMINALS.
 3. COPLANARITY SHALL NOT EXCEED 0.05 mm.
 4. WARPAGE SHALL NOT EXCEED 0.05 mm.
 5. PACKAGE LENGTH / PACKAGE WIDTH ARE CONSIDERED AS SPECIAL CHARACTERISTIC. (S)

TOLERANCES UNLESS SPECIFIED	6024 Silver Creek Valley Road
DECIMAL ±17	San Jose CA 95138
ANGULAR ±17	PHONE: (408) 284-8200
XX±	FAX: (408) 284-8591
XXX±	
APPROVALS	DATE
DRAWN ØAG	3/30/16
CHECKED	
www.IDT.com TITLE ND/NDG 20 PACKAGE OUTLINE 3.0 x 3.0 mm BODY, EPAD 1.65 mm SQ 0.40 PITCH QFN	
SIZE	DRAWING No.
C	PSC-4179-02
REV	REV
DO NOT SCALE DRAWING	SHEET 1 OF 2

Package Outline Drawings (5PB1206 / 5PB1216 20-pin VFQFPN), cont.

REVISIONS		
REV	DESCRIPTION	DATE
00	INITIAL RELEASE	3/30/16
		APPROVED
		JH



RECOMMENDED LAND PATTERN DIMENSION

NOTES:

1. ALL DIMENSIONS ARE IN mm. ANGLES IN DEGREES.
2. TOP DOWN VIEW AS VIEWED ON PCB.
3. COMPONENT OUTLINE SHOWS FOR REFERENCE IN GREEN.
4. LAND PATTERN IN BLUE. NSMD PATTERN ASSUMED.
5. LAND PATTERN RECOMMENDATION PER IPC-7351B GENERIC REQUIREMENT FOR SURFACE MOUNT DESIGN AND LAND PATTERN.

TOLERANCES UNLESS SPECIFIED DECIMAL X ± XXX ±	ANGULAR	6024 Silver Creek Valley Road San Jose CA 95138 PHONE: (408) 284-8200 WWW.IDT.COM FAX: (408) 284-8591	TITLE ND/NDG 20 PACKAGE OUTLINE 3.0 x 3.0 mm BODY, EPAD 1.65 mm SQ 0.40 PITCH QFN	
	DATE			DRAWING No.
	APPROVALS			REV
	DRAWN @/G			SIZE
CHECKED	3/30/16	PSC-4179-02	00	
		DO NOT SCALE DRAWING	SHEET 2 OF 2	

Ordering Information

Part / Order Number	Shipping Packaging	Package	Temperature
5PB1203NTGK	Cut Tape	10-pin DFN	-40 to +105°C
5PB1203NTGK8	Tape and Reel	10-pin DFN	-40 to +105°C
5PB1213NTGK	Cut Tape	10-pin DFN	-40 to +105°C
5PB1213NTGK8	Tape and Reel	10-pin DFN	-40 to +105°C
5PB1204CMGK	Cut Tape	16-pin VFQFPN	-40 to +105°C
5PB1204CMGK8	Tape and Reel	16-pin VFQFPN	-40 to +105°C
5PB1214CMGK	Cut Tape	16-pin VFQFPN	-40 to +105°C
5PB1214CMGK8	Tape and Reel	16-pin VFQFPN	-40 to +105°C
5PB1206NDGK	Tube	20-pin VFQFPN	-40 to +105°C
5PB1206NDGK8	Tape and Reel	20-pin VFQFPN	-40 to +105°C
5PB1216NDGK	Tube	20-pin VFQFPN	-40 to +105°C
5PB1216NDGK8	Tape and Reel	20-pin VFQFPN	-40 to +105°C

“G” after the two-letter package code denotes Pb-Free configuration, RoHS compliant.

Marking Diagrams



Notes:

1. “**” is the lot number.
2. “YWW”, “YW”, or “Y” are the last digit(s) of the year and week that the part was assembled.
3. “\$” denotes mark code.
4. “K” denotes extended temperature range device.
5. “XXX” denotes last three characters of Asm lot.

Revision History

Date	Description of Change
February 28, 2018	1. Updated CLKIN input high and low voltage ratings in DC characterization tables. 2. Updated Absolute Maximum supply voltage (VDD) from 3.465V to 3.8V.
April 10, 2017	1. Updated Operating Supply Current and Operating Voltage values in DC electrical characteristics tables. 2. Updated Propagation Delay and Output skew values in AC electrical characteristics tables. 3. Updated package outline drawings. 4. Updated legal disclaimer.
July 11, 2016	Initial release.



Corporate Headquarters
6024 Silver Creek Valley Road
San Jose, CA 95138 USA
www.IDT.com

Sales
1-800-345-7015 or 408-284-8200
Fax: 408-284-2775
www.IDT.com/go/sales

Tech Support
www.idt.com/go/support

DISCLAIMER Integrated Device Technology, Inc. (IDT) and its affiliated companies (herein referred to as "IDT") reserve the right to modify the products and/or specifications described herein at any time, without notice, at IDT's sole discretion. Performance specifications and operating parameters of the described products are determined in an independent state and are not guaranteed to perform the same way when installed in customer products. The information contained herein is provided without representation or warranty of any kind, whether express or implied, including, but not limited to, the suitability of IDT's products for any particular purpose, an implied warranty of merchantability, or non-infringement of the intellectual property rights of others. This document is presented only as a guide and does not convey any license under intellectual property rights of IDT or any third parties.

IDT's products are not intended for use in applications involving extreme environmental conditions or in life support systems or similar devices where the failure or malfunction of an IDT product can be reasonably expected to significantly affect the health or safety of users. Anyone using an IDT product in such a manner does so at their own risk, absent an express, written agreement by IDT.

Integrated Device Technology, IDT and the IDT logo are trademarks or registered trademarks of IDT and its subsidiaries in the United States and other countries. Other trademarks used herein are the property of IDT or their respective third party owners. For datasheet type definitions and a glossary of common terms, visit www.idt.com/go/glossary. Integrated Device Technology, Inc.. All rights reserved.

Компания «Life Electronics» занимается поставками электронных компонентов импортного и отечественного производства от производителей и со складов крупных дистрибьюторов Европы, Америки и Азии.

С конца 2013 года компания активно расширяет линейку поставок компонентов по направлению коаксиальный кабель, кварцевые генераторы и конденсаторы (керамические, пленочные, электролитические), за счёт заключения дистрибьюторских договоров

Мы предлагаем:

- Конкурентоспособные цены и скидки постоянным клиентам.
- Специальные условия для постоянных клиентов.
- Подбор аналогов.
- Поставку компонентов в любых объемах, удовлетворяющих вашим потребностям.
- Приемлемые сроки поставки, возможна ускоренная поставка.
- Доставку товара в любую точку России и стран СНГ.
- Комплексную поставку.
- Работу по проектам и поставку образцов.
- Формирование склада под заказчика.
- Сертификаты соответствия на поставляемую продукцию (по желанию клиента).
- Тестирование поставляемой продукции.
- Поставку компонентов, требующих военную и космическую приемку.
- Входной контроль качества.
- Наличие сертификата ISO.

В составе нашей компании организован Конструкторский отдел, призванный помогать разработчикам, и инженерам.

Конструкторский отдел помогает осуществить:

- Регистрацию проекта у производителя компонентов.
- Техническую поддержку проекта.
- Защиту от снятия компонента с производства.
- Оценку стоимости проекта по компонентам.
- Изготовление тестовой платы монтаж и пусконаладочные работы.



Тел: +7 (812) 336 43 04 (многоканальный)

Email: org@lifeelectronics.ru