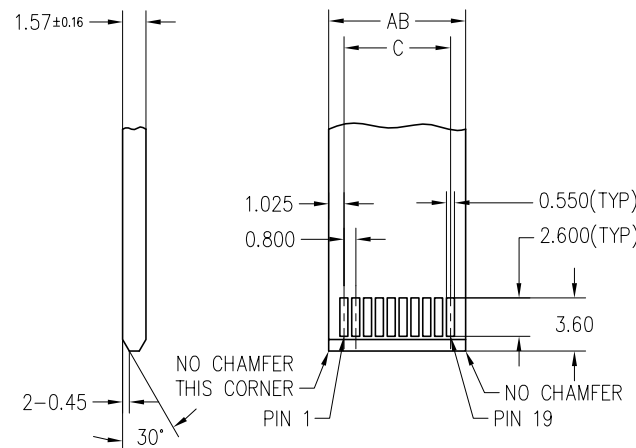
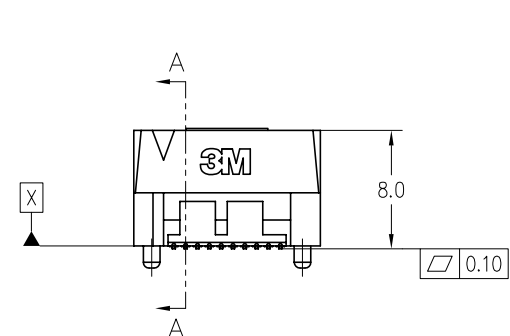


3M™ High-Speed Card-Edge CONNECTOR, SPD08

FIG. 1
FOR POSITIONS 020, 040, 060,
W/O LATCH OPTION
(SHOWN: SPD08-020-RB-TR)



- NOTES:
- MATERIAL:
HOUSING: GLASS FILLED LCP, BLACK, UL 94V-0.
LATCH: GLASS FILLED LCP, BEIGE, UL 94V-0.
SOLDER TAB: COPPER ALLOY.
CONTACT: COPPER ALLOY.
 - FINISH:
GOLD PLATING ON CONTACT MATING AREA,
3~5um MATTE TIN ON SOLDER TAIL,
1.27um NICKEL UNDER PLATED.
 - RATING:
CURRENT: 3.0A @ 30°C TEMPERATURE RISE.
VOLTAGE: 50V AC.
TEMPERATURE: -55 TO 125°C.
CONTACT RESISTANCE: 50mΩ MAX.
CHARACTERISTIC IMPEDANCE: 50Ω SINGLE-ENDED,
100Ω DIFFERENTIAL.
BANDWIDTH: 7.5GHz (RATED @ -3dB INSERTION LOSS,
30mm STACK HEIGHT)
 - ROHS COMPLIANT.
 - PART NUMBERING INFORMATION:



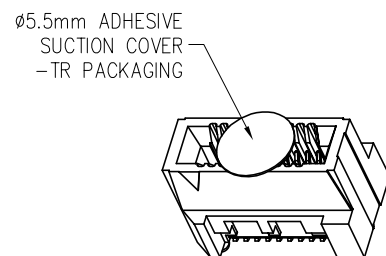
SPD08-XXX-X-XX-XX

NO OF POSITIONS
020, 040, 060 (SEE FIG. 1, 3)
064, 080, 100, 120, 140,
160, 180, 200 (SEE FIG. 2, 4)

PACKAGING OPTION
BLANK= TRAY
TR= TAPE & REEL

PLATING OPTION
RB= 0.76um GOLD
RA= 0.25um GOLD

LATCHING OPTION
BLANK= W/O LATCH (SEE FIG. 1, 2)
L = WITH LATCH (SEE FIG. 3, 4)



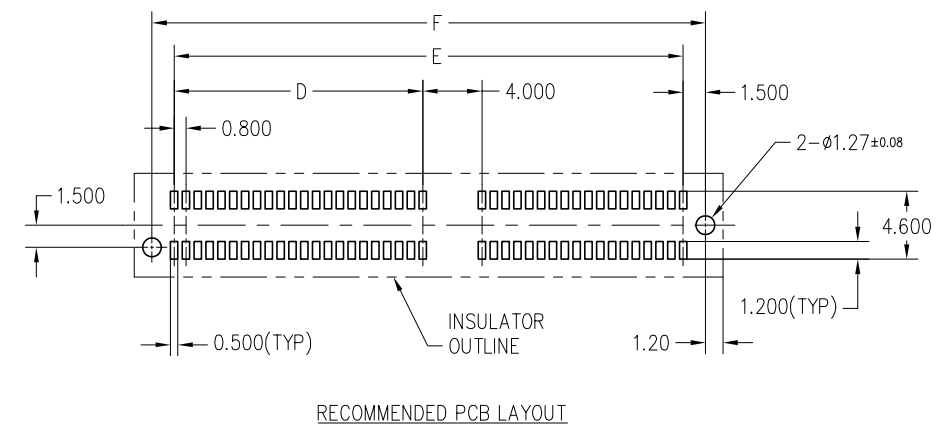
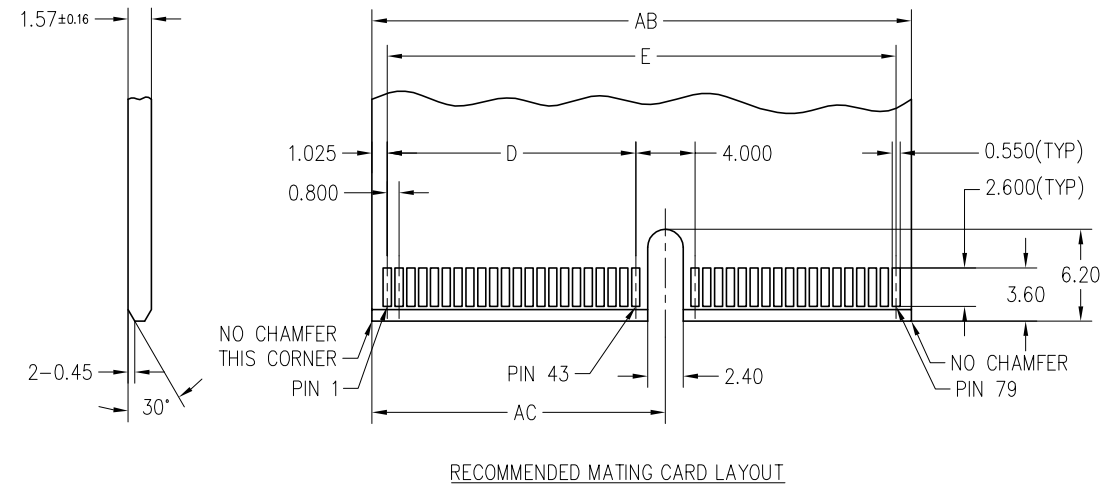
| POS. | DIMENSIONS | | | | |
|------|------------|-------|--------|-------|-------|
| | A | B | C | D | AB |
| 20* | 12.60 | 9.40 | 7.200 | 10.20 | 9.25 |
| 40 | 20.60 | 17.40 | 15.200 | 18.20 | 17.25 |
| 60 | 28.60 | 25.40 | 23.200 | 26.20 | 25.25 |

* TOOLED SIZE

| DESIGN REFERENCE | NEXT ASSEMBLY | REV | ECO | ISSUE DATE AND DESCRIPTION | DRFT | CHKD |
|--|---------------|--|----------|----------------------------|-------|------|
| | | | | DATE 05/11/11 | | |
| DISTRIBUTION CODES | | DRFT | K.D. LIU | DATE | MFG | DATE |
| | | CHKD | | DATE | APPLY | DATE |
| DIVISION ESD | DIVISION CODE | © 3M COPYRIGHT This document is the copyrighted property of the 3M Company and may not be reproduced without 3M written permission or used for other than 3M authorized purposes. | | | | |
| DO NOT SCALE DRAWING | SCALE 2:1 | TOLERANCES EXCEPT AS NOTED INCHES .0 ± .00 ± .000 ± .0000 ± MILLIMETERS 0 ± 0.50 .0 ± 0.20 .00 ± 0.10 .000 ± 0.05 ANGLES ± 3° | | | | |
| THIRD ANGLE PROJECTION | | TITLE SPD08 HIGH SPEED CARD EDGE CONNECTOR, 0.8MM PITCH SMT | | | | |
| INTERPRET PER ASME Y14.5 - 1994 | | CAGE NUMBER C DRAWING NO. 78-5100-2420-7 REV. A | | | | |
| MAX SURFACE ROUGHNESS □ ALL SURFACES ✓ MARKED ONLY | | MODEL DET. LISTS □ YES □ NO SHT 1 OF 4 | | | | |

3M™ High-Speed Card-Edge CONNECTOR, SPD08

FIG. 2
FOR POSITIONS 064, 080, 100, 120,
140, 160, 180, 200, W/O LATCH OPTION
(SHOWN: SPD08-080-RB)



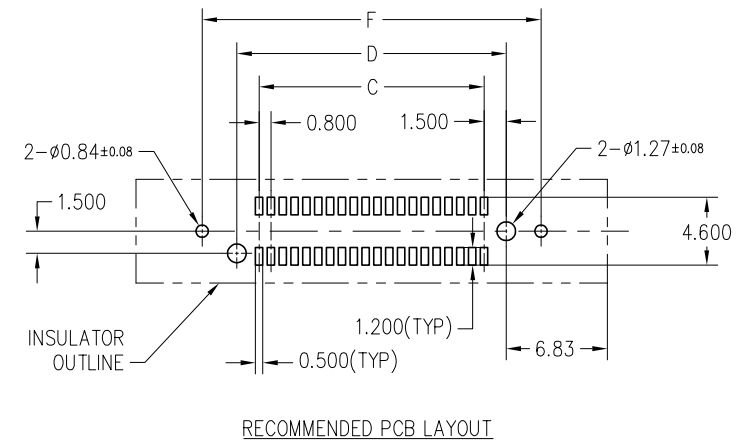
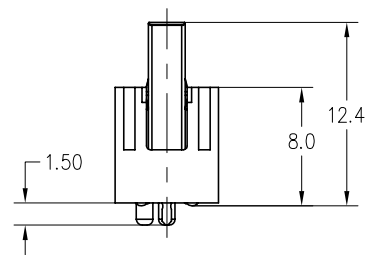
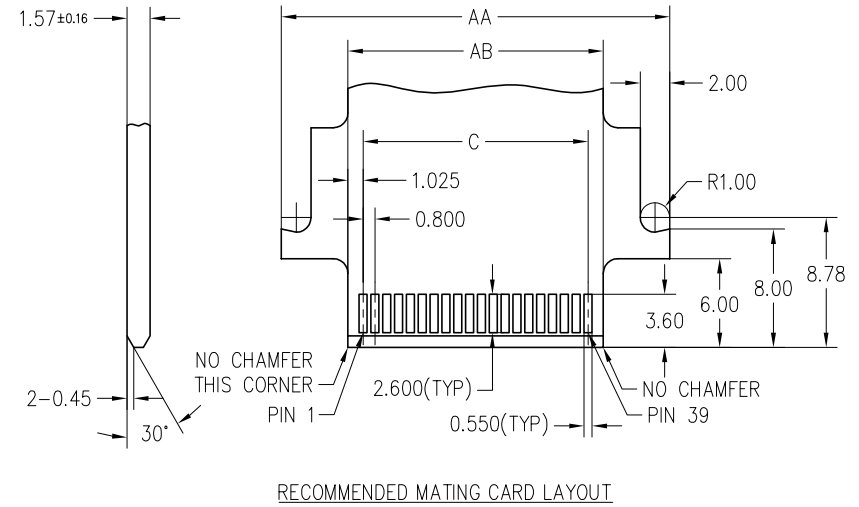
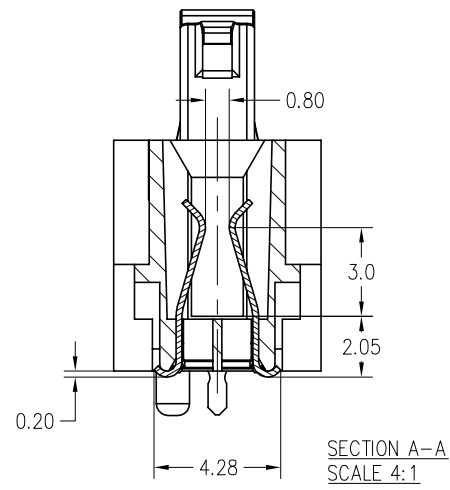
| POS. | DIMENSIONS | | | | | | | |
|------|------------|-------|-------|--------|--------|-------|-------|--------|
| | A | B | C | D | E | F | AB | AC |
| 64 | 33.40 | 30.20 | 16.70 | 13.600 | 28.000 | 31.00 | 30.05 | 16.625 |
| 80* | 39.80 | 36.60 | 19.90 | 16.800 | 34.400 | 37.40 | 36.45 | 19.825 |
| 100 | 47.80 | 44.60 | 23.90 | 20.800 | 42.400 | 45.40 | 44.45 | 23.825 |
| 120 | 55.80 | 52.60 | 27.90 | 24.800 | 50.400 | 53.40 | 52.45 | 27.825 |
| 140 | 63.80 | 60.60 | 27.90 | 24.800 | 58.400 | 61.40 | 60.45 | 27.825 |
| 160 | 71.80 | 68.60 | 27.90 | 24.800 | 66.400 | 69.40 | 68.45 | 27.825 |
| 180 | 79.80 | 76.60 | 27.90 | 24.800 | 74.400 | 77.40 | 76.45 | 27.825 |
| 200 | 87.80 | 84.60 | 27.90 | 24.800 | 82.400 | 85.40 | 84.45 | 27.825 |

* TOOLED SIZE

| | | | | | | |
|------------------------|--|--|----------|----------------------------|--|------------|
| DESIGN REFERENCE | NEXT ASSEMBLY | REV | ECO | ISSUE DATE AND DESCRIPTION | DRFT | CHKD |
| DISTRIBUTION CODES | | DRFT | K.D. LIU | DATE 05/11/11 | MFG | DATE |
| | | CHKD | | DATE | APPLY | DATE |
| DIVISION ESD | DIVISION CODE | © 3M COPYRIGHT This document is the copyrighted property of the 3M Company and may not be reproduced without 3M written permission or used for other than 3M authorized purposes. | | | | |
| DO NOT SCALE DRAWING | SCALE 2:1 | TOLERANCES EXCEPT AS NOTED INCHES .0 ± .00 ± .000 ± .0000 ± MILLIMETERS 0 ± 0.50 .0 ± 0.20 .00 ± 0.10 .000 ± 0.05 ANGLES ± 3° | | | | |
| THIRD ANGLE PROJECTION | INTERPRET PER ASME Y14.5 - 1994 | TITLE SPD08 HIGH SPEED CARD EDGE CONNECTOR, 0.8MM PITCH SMT | | | | |
| MAX SURFACE ROUGHNESS | <input type="checkbox"/> ALL SURFACES <input checked="" type="checkbox"/> MARKED ONLY | CAGE NUMBER | SIZE | DRAWING NO. | REV. | |
| | | | C | 78-5100-2420-7 | A | |
| | | MODEL | | DET. LISTS | <input type="checkbox"/> YES <input type="checkbox"/> NO | SHT 2 OF 4 |

3M™ High-Speed Card-Edge CONNECTOR, SPD08

FIG. 3
FOR POSITIONS 020, 040, 060,
WITH LATCH OPTION
(SHOWN: SPD08-040-L-RB)



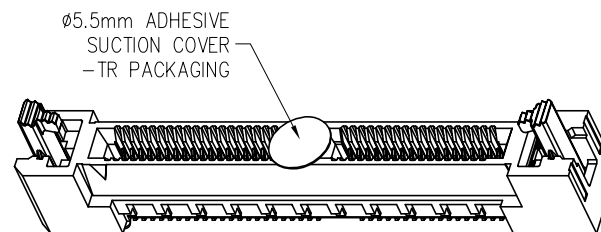
| POS. | DIMENSIONS | | | | | | |
|------|------------|-------|--------|-------|-------|-------|-------|
| | A | B | C | D | E | AA | AB |
| 20 | 23.85 | 9.40 | 7.200 | 10.20 | 12.90 | 18.25 | 9.25 |
| 40 | 31.85 | 17.40 | 15.200 | 18.20 | 20.90 | 26.25 | 17.25 |
| 60 | 39.85 | 25.40 | 23.200 | 26.20 | 28.90 | 34.25 | 25.25 |

* TOOLED SIZE

| | | | | | | |
|---|---------------|--|----------|----------------------------|--------|------|
| DESIGN REFERENCE | NEXT ASSEMBLY | REV | ECO | ISSUE DATE AND DESCRIPTION | DRFT | CHKD |
| DISTRIBUTION CODES | | DRFT | K.D. LIU | DATE 05/11/11 | MFG | DATE |
| | | CHKD | | DATE | APPLY | DATE |
| DIVISION ESD | DIVISION CODE | © 3M COPYRIGHT This document is the copyrighted property of the 3M Company and may not be reproduced without 3M written permission or used for other than 3M authorized purposes. | | | | |
| DO NOT SCALE DRAWING | SCALE 2:1 | | | | | |
| TOLERANCES EXCEPT AS NOTED | | TITLE | | | | |
| INCHES .0 ± .00 ± .000 ± .0000 ± | | SPD08 HIGH SPEED CARD EDGE CONNECTOR, 0.8MM PITCH SMT | | | | |
| MILLIMETERS 0 ± 0.50 .0 ± 0.20 .00 ± 0.10 .000 ± 0.05 | | | | | | |
| THIRD ANGLE PROJECTION INTERPRET PER ASME Y14.5 - 1994 | | CAGE NUMBER | SIZE C | DRAWING NO. | REV. A | |
| MAX SURFACE ROUGHNESS □ ALL SURFACES ✓ □ MARKED ONLY | | 78-5100-2420-7 | | SHT 3 OF 4 | | |
| ANGLES ± 3° | | MODEL | | DET. LISTS □ YES □ NO | | |

3M™ High-Speed Card-Edge CONNECTOR, SPD08

FIG. 4
FOR POSITIONS 064, 080, 100, 120,
140, 160, 180, 200, WITH LATCH OPTION
(SHOWN: SPD08-080-L-RB-TR)



| POS. | DIMENSIONS | | | | | | | | | |
|------|------------|-------|-------|--------|--------|-------|-------|-------|-------|--------|
| | A | B | C | D | E | F | G | AA | AB | AC |
| 64 | 44.65 | 30.20 | 16.70 | 13.600 | 28.000 | 31.00 | 35.70 | 39.05 | 30.05 | 16.625 |
| 80* | 51.05 | 36.60 | 19.90 | 16.800 | 34.400 | 37.40 | 42.10 | 45.45 | 36.45 | 19.825 |
| 100 | 59.05 | 44.60 | 23.90 | 20.800 | 42.400 | 45.40 | 50.10 | 53.45 | 44.45 | 23.825 |
| 120 | 67.05 | 52.60 | 27.90 | 24.800 | 50.400 | 53.40 | 58.10 | 61.45 | 52.45 | 27.825 |
| 140 | 75.05 | 60.60 | 27.90 | 24.800 | 58.400 | 61.40 | 66.10 | 69.45 | 60.45 | 27.825 |
| 160 | 83.05 | 68.60 | 27.90 | 24.800 | 66.400 | 69.40 | 74.10 | 77.45 | 68.45 | 27.825 |
| 180 | 91.05 | 76.60 | 27.90 | 24.800 | 74.400 | 77.40 | 82.10 | 85.45 | 76.45 | 27.825 |
| 200 | 99.05 | 84.60 | 27.90 | 24.800 | 82.400 | 85.40 | 90.10 | 93.45 | 84.45 | 27.825 |

* TOOLED SIZE

| | | | | | | |
|---|---------------|--|----------|---|------------|------|
| DESIGN REFERENCE | NEXT ASSEMBLY | REV | ECO | ISSUE DATE AND DESCRIPTION | DRFT | CHKD |
| DISTRIBUTION CODES | | DRFT | K.D. LIU | DATE 05/11/11 | MFG | DATE |
| | | CHKD | | DATE | APPLY | DATE |
| DIVISION ESD | DIVISION CODE | © 3M COPYRIGHT This document is the copyrighted property of the 3M Company and may not be reproduced without 3M written permission or used for other than 3M authorized purposes. | | | | |
| DO NOT SCALE DRAWING | SCALE 2:1 | | | | | |
| THIRD ANGLE PROJECTION INTERPRET PER ASME Y14.5 - 1994 | | INCHES .0 ± .00 ± .000 ± .0000 ± | | TITLE | | |
| MAX SURFACE ROUGHNESS <input type="checkbox"/> ALL SURFACES <input checked="" type="checkbox"/> MARKED ONLY | | MILLIMETERS 0 ± 0.50 .0 ± 0.20 .00 ± 0.10 .000 ± 0.05 | | SPD08 HIGH SPEED CARD EDGE CONNECTOR, 0.8MM PITCH SMT | | |
| ANGLS ± 3° | | CAGE NUMBER | SIZE | DRAWING NO. | REV. | |
| | | | C | 78-5100-2420-7 | A | |
| MODEL | | | | DET. LISTS | SHT 4 OF 4 | |

Компания «Life Electronics» занимается поставками электронных компонентов импортного и отечественного производства от производителей и со складов крупных дистрибьюторов Европы, Америки и Азии.

С конца 2013 года компания активно расширяет линейку поставок компонентов по направлению коаксиальный кабель, кварцевые генераторы и конденсаторы (керамические, пленочные, электролитические), за счёт заключения дистрибьюторских договоров

Мы предлагаем:

- Конкурентоспособные цены и скидки постоянным клиентам.
- Специальные условия для постоянных клиентов.
- Подбор аналогов.
- Поставку компонентов в любых объемах, удовлетворяющих вашим потребностям.
- Приемлемые сроки поставки, возможна ускоренная поставка.
- Доставку товара в любую точку России и стран СНГ.
- Комплексную поставку.
- Работу по проектам и поставку образцов.
- Формирование склада под заказчика.
- Сертификаты соответствия на поставляемую продукцию (по желанию клиента).
- Тестирование поставляемой продукции.
- Поставку компонентов, требующих военную и космическую приемку.
- Входной контроль качества.
- Наличие сертификата ISO.

В составе нашей компании организован Конструкторский отдел, призванный помогать разработчикам, и инженерам.

Конструкторский отдел помогает осуществить:

- Регистрацию проекта у производителя компонентов.
- Техническую поддержку проекта.
- Защиту от снятия компонента с производства.
- Оценку стоимости проекта по компонентам.
- Изготовление тестовой платы монтаж и пусконаладочные работы.



Тел: +7 (812) 336 43 04 (многоканальный)
Email: org@lifeelectronics.ru