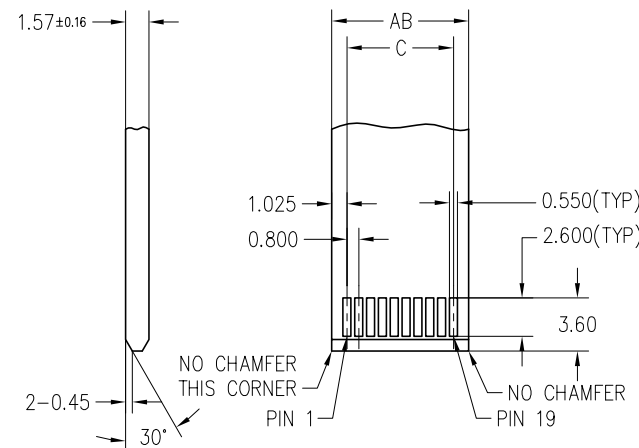
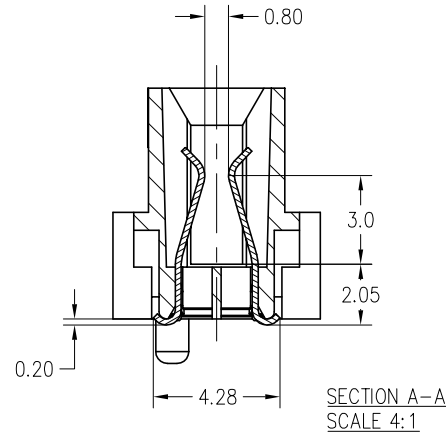
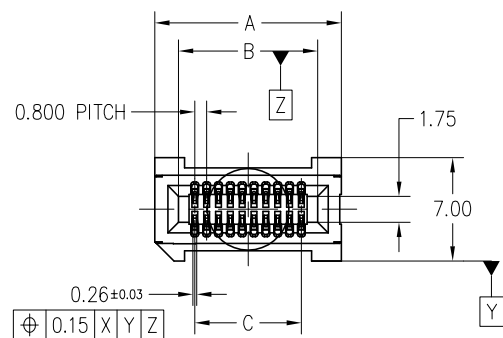
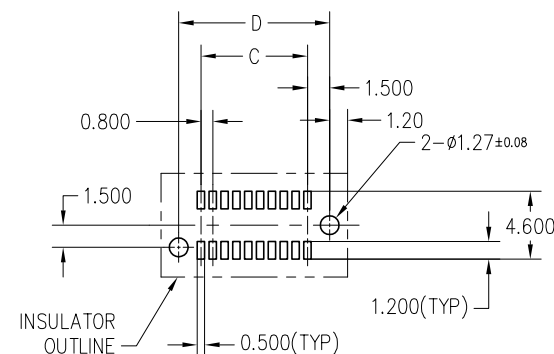
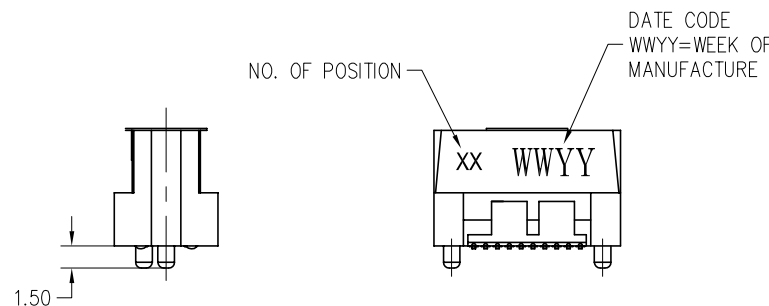
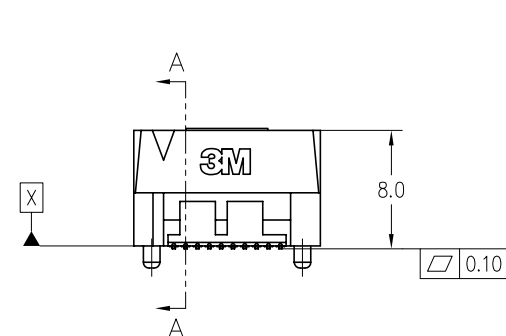


3M™ High-Speed Card-Edge CONNECTOR, SPD08

FIG. 1
FOR POSITIONS 020, 040, 060,
W/O LATCH OPTION
(SHOWN: SPD08-020-RB-TR)

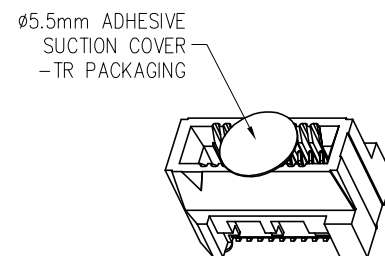
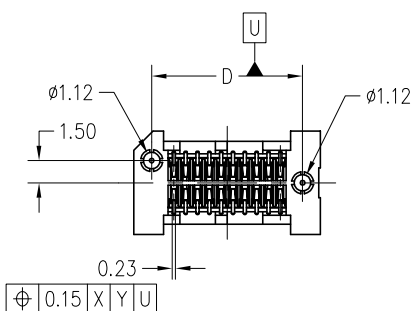


- NOTES:
- MATERIAL:
HOUSING: GLASS FILLED LCP, BLACK, UL 94V-0.
LATCH: GLASS FILLED LCP, BEIGE, UL 94V-0.
SOLDER TAB: COPPER ALLOY.
CONTACT: COPPER ALLOY.
 - FINISH:
GOLD PLATING ON CONTACT MATING AREA,
3~5um MATTE TIN ON SOLDER TAIL,
1.27um NICKEL UNDER PLATED.
 - RATING:
CURRENT: 3.0A @ 30°C TEMPERATURE RISE.
VOLTAGE: 50V AC.
TEMPERATURE: -55 TO 125°C.
CONTACT RESISTANCE: 50mΩ MAX.
CHARACTERISTIC IMPEDANCE: 50Ω SINGLE-ENDED,
100Ω DIFFERENTIAL.
BANDWIDTH: 7.5GHz (RATED @ -3dB INSERTION LOSS,
30mm STACK HEIGHT)
 - ROHS COMPLIANT.
 - PART NUMBERING INFORMATION:



SPD08-XXX-X-XX-XX

- NO OF POSITIONS
020, 040, 060 (SEE FIG. 1, 3)
064, 080, 100, 120, 140,
160, 180, 200 (SEE FIG. 2, 4)
- PACKAGING OPTION
BLANK= TRAY
TR= TAPE & REEL
- PLATING OPTION
RB= 0.76um GOLD
RA= 0.25um GOLD
- LATCHING OPTION
BLANK= W/O LATCH (SEE FIG. 1, 2)
L = WITH LATCH (SEE FIG. 3, 4)



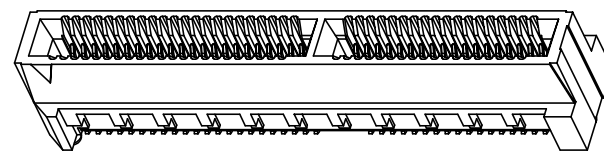
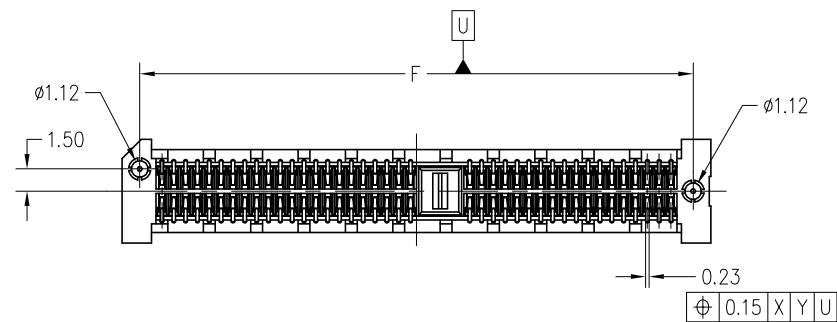
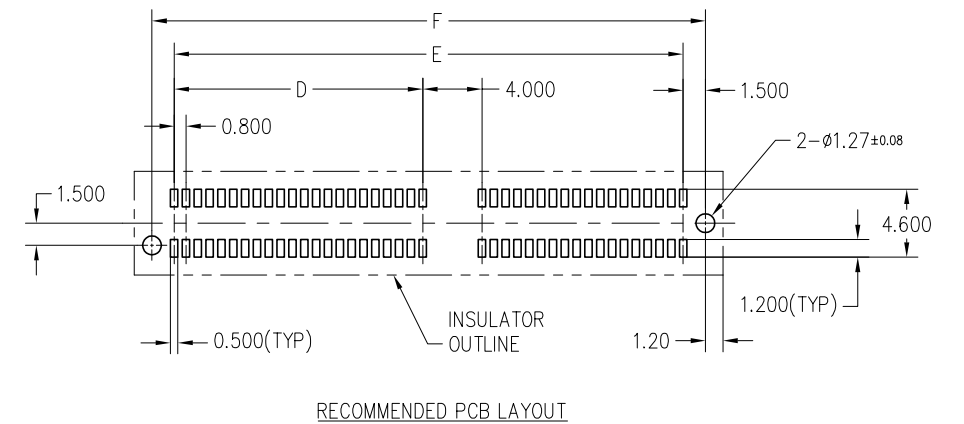
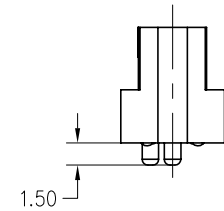
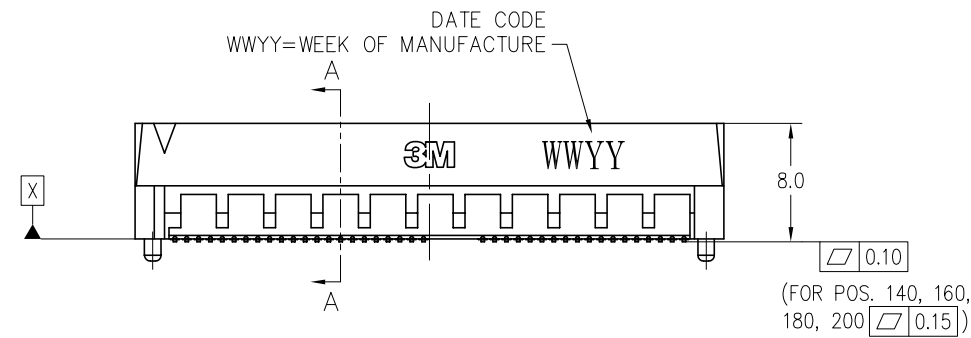
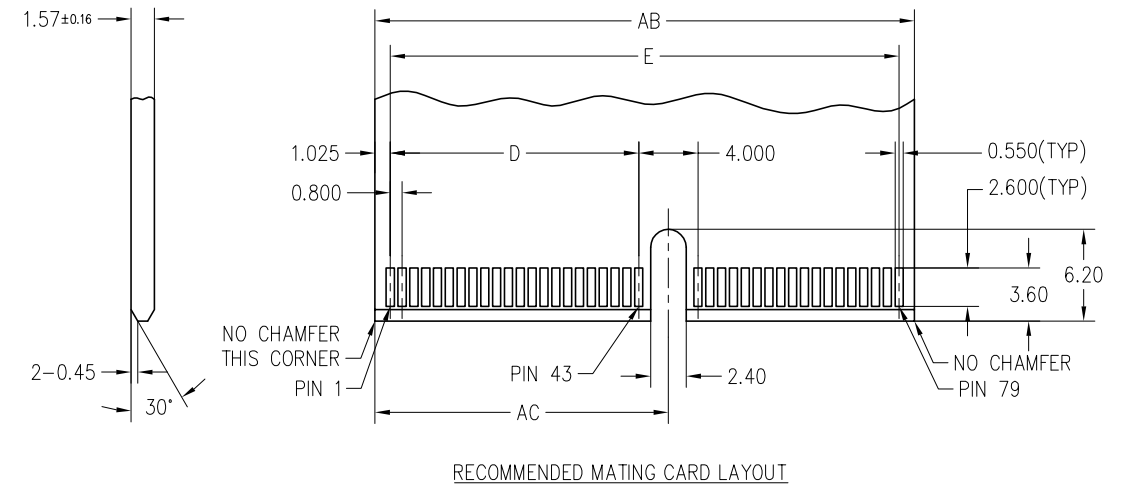
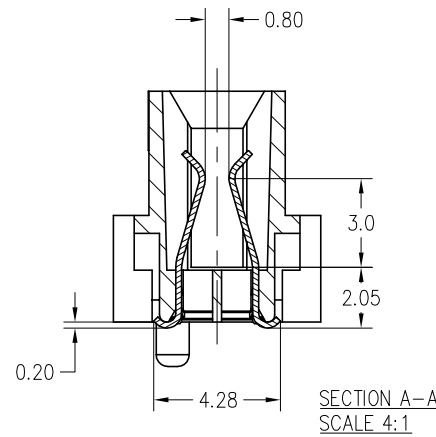
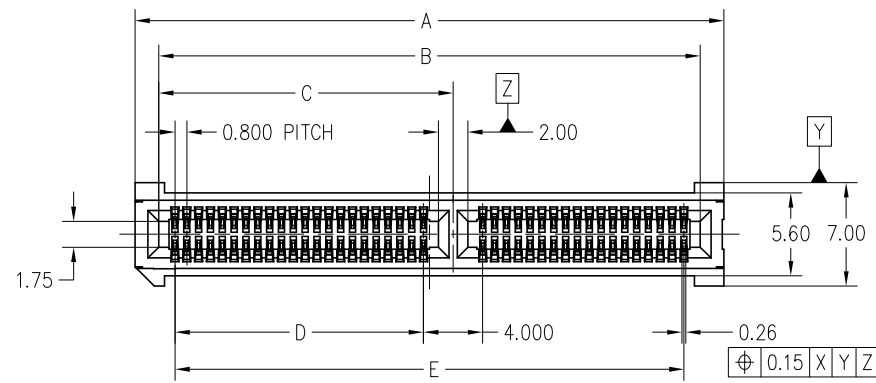
POS.	DIMENSIONS				
	A	B	C	D	AB
20*	12.60	9.40	7.200	10.20	9.25
40	20.60	17.40	15.200	18.20	17.25
60	28.60	25.40	23.200	26.20	25.25

* TOOLED SIZE

DESIGN REFERENCE	NEXT ASSEMBLY	REV	ECO	ISSUE DATE AND DESCRIPTION	DRFT	CHKD
DISTRIBUTION CODES		DRFT	K.D. LIU	DATE 05/11'11	MFG	DATE
		CHKD		DATE	APPLY	DATE
DIVISION ESD	DIVISION CODE	© 3M COPYRIGHT This document is the copyrighted property of the 3M Company and may not be reproduced without 3M written permission or used for other than 3M authorized purposes.				
DO NOT SCALE DRAWING	SCALE 2:1	TOLERANCES EXCEPT AS NOTED INCHES .0 ± .00 ± .000 ± .0000 ± MILLIMETERS 0 ± 0.50 .0 ± 0.20 .00 ± 0.10 .000 ± 0.05 ANGLES ± 3°				
THIRD ANGLE PROJECTION		TITLE SPD08 HIGH SPEED CARD EDGE CONNECTOR, 0.8MM PITCH SMT				
INTERPRET PER ASME Y14.5 - 1994		CAGE NUMBER C DRAWING NO. 78-5100-2420-7 REV. A				
MAX SURFACE ROUGHNESS □ ALL SURFACES ✓ MARKED ONLY		MODEL DET. LISTS <input type="checkbox"/> YES <input type="checkbox"/> NO SHT 1 OF 4				

3M™ High-Speed Card-Edge CONNECTOR, SPD08

FIG. 2
FOR POSITIONS 064, 080, 100, 120,
140, 160, 180, 200, W/O LATCH OPTION
(SHOWN: SPD08-080-RB)



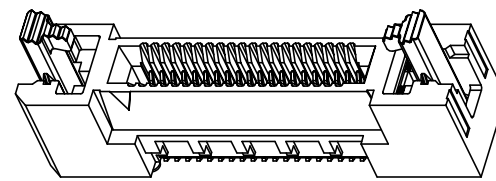
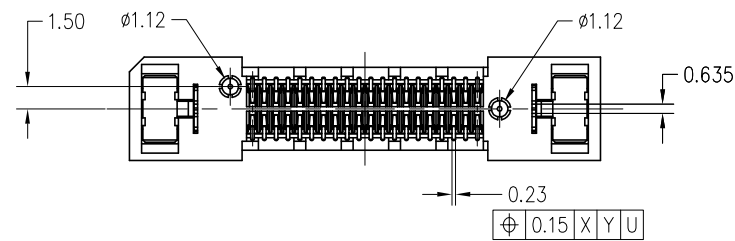
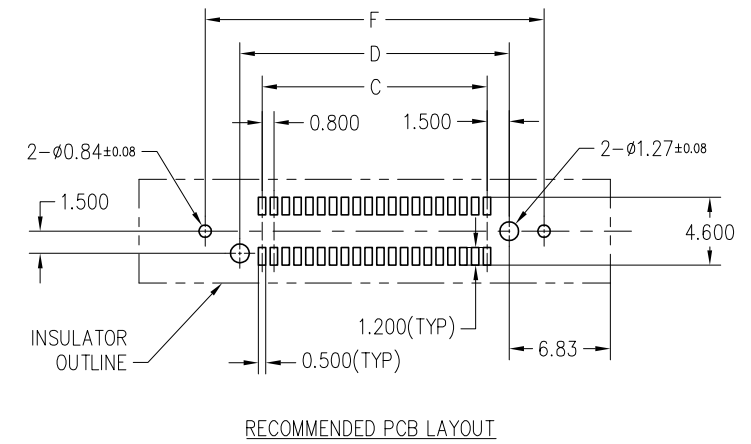
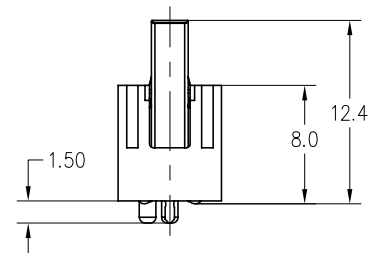
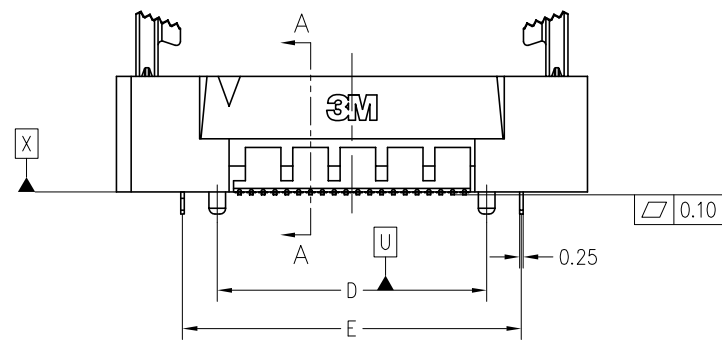
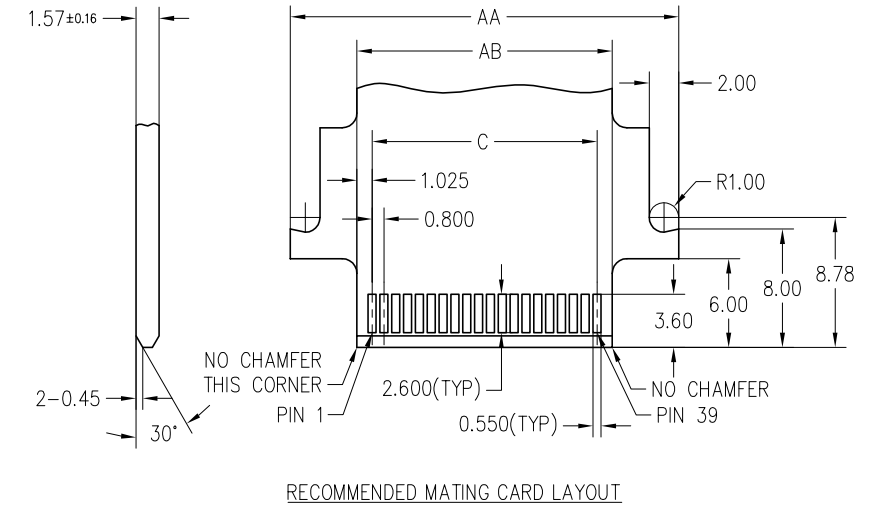
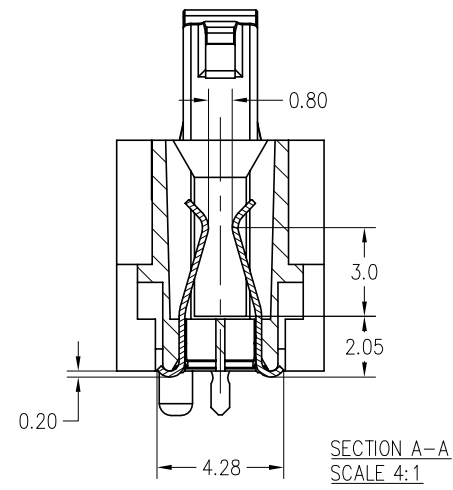
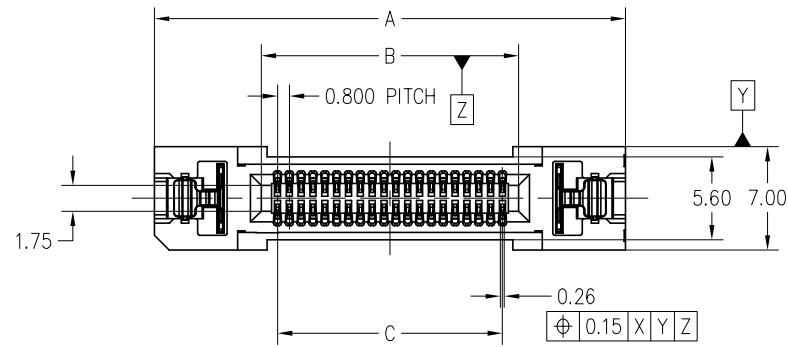
POS.	DIMENSIONS							
	A	B	C	D	E	F	AB	AC
64	33.40	30.20	16.70	13.600	28.000	31.00	30.05	16.625
80*	39.80	36.60	19.90	16.800	34.400	37.40	36.45	19.825
100	47.80	44.60	23.90	20.800	42.400	45.40	44.45	23.825
120	55.80	52.60	27.90	24.800	50.400	53.40	52.45	27.825
140	63.80	60.60	27.90	24.800	58.400	61.40	60.45	27.825
160	71.80	68.60	27.90	24.800	66.400	69.40	68.45	27.825
180	79.80	76.60	27.90	24.800	74.400	77.40	76.45	27.825
200	87.80	84.60	27.90	24.800	82.400	85.40	84.45	27.825

* TOOLED SIZE

DESIGN REFERENCE	NEXT ASSEMBLY	REV	ECO	ISSUE DATE AND DESCRIPTION	DRFT	CHKD
DISTRIBUTION CODES		DRFT	K.D. LIU	DATE 05/11/11	MFG	DATE
		CHKD		DATE	APPLY	DATE
DIVISION ESD	DIVISION CODE	© 3M COPYRIGHT This document is the copyrighted property of the 3M Company and may not be reproduced without 3M written permission or used for other than 3M authorized purposes.				
DO NOT SCALE DRAWING	SCALE 2:1	TOLERANCES EXCEPT AS NOTED INCHES .0 ± .00 ± .000 ± .0000 ± MILLIMETERS 0 ± 0.50 .0 ± 0.20 .00 ± 0.10 .000 ± 0.05 ANGLES ± 3°				
THIRD ANGLE PROJECTION	INTERPRET PER ASME Y14.5 - 1994	TITLE SPD08 HIGH SPEED CARD EDGE CONNECTOR, 0.8MM PITCH SMT				
MAX SURFACE ROUGHNESS	<input type="checkbox"/> ALL SURFACES <input checked="" type="checkbox"/> MARKED ONLY	CAGE NUMBER	SIZE C	DRAWING NO.	78-5100-2420-7	REV. A
		MODEL		DET. LISTS	<input type="checkbox"/> YES <input type="checkbox"/> NO	SHT 2 OF 4

3M™ High-Speed Card-Edge CONNECTOR, SPD08

FIG. 3
FOR POSITIONS 020, 040, 060,
WITH LATCH OPTION
(SHOWN: SPD08-040-L-RB)



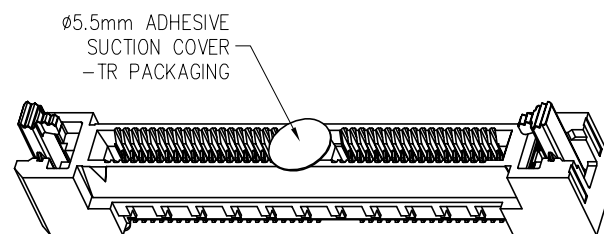
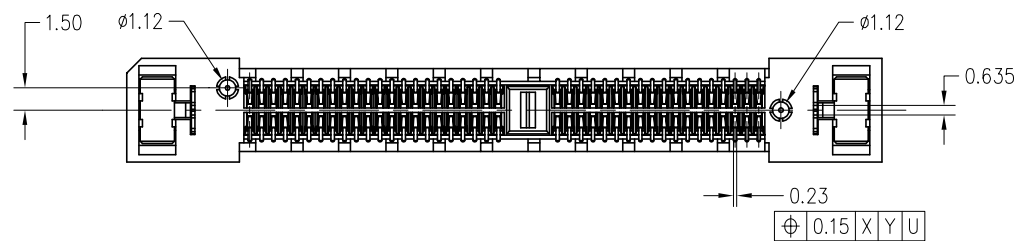
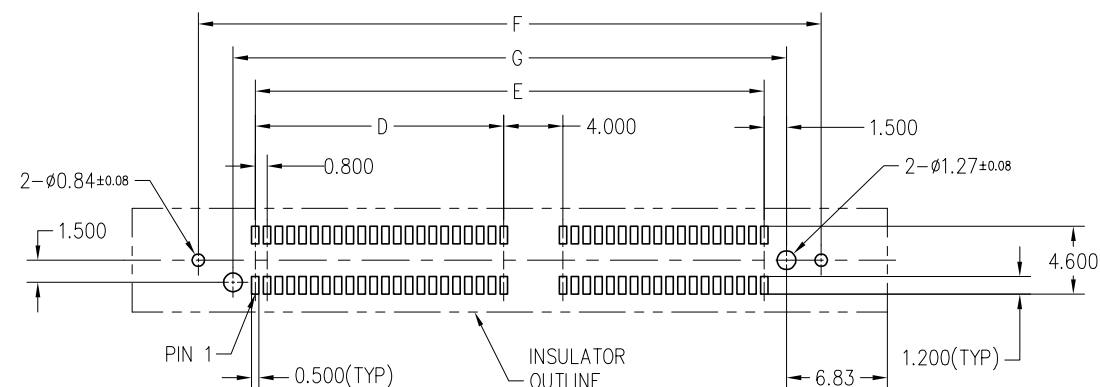
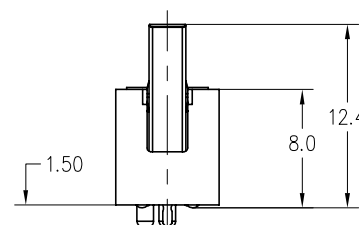
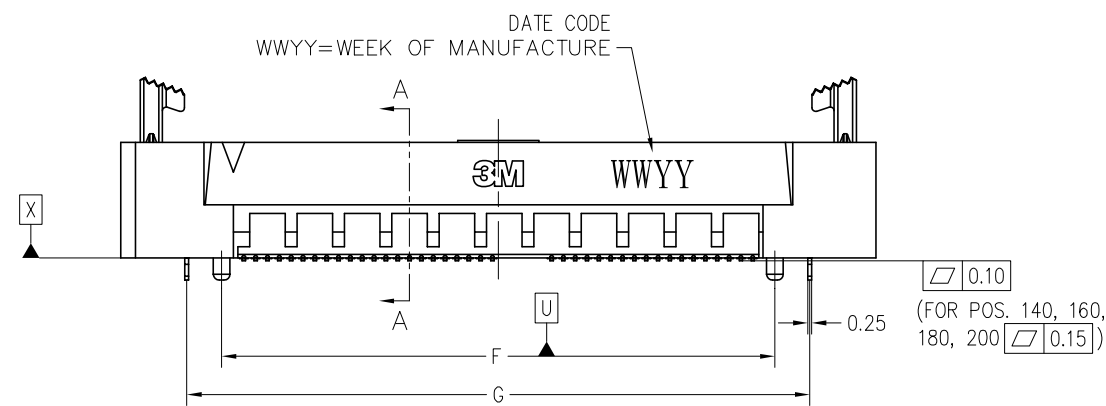
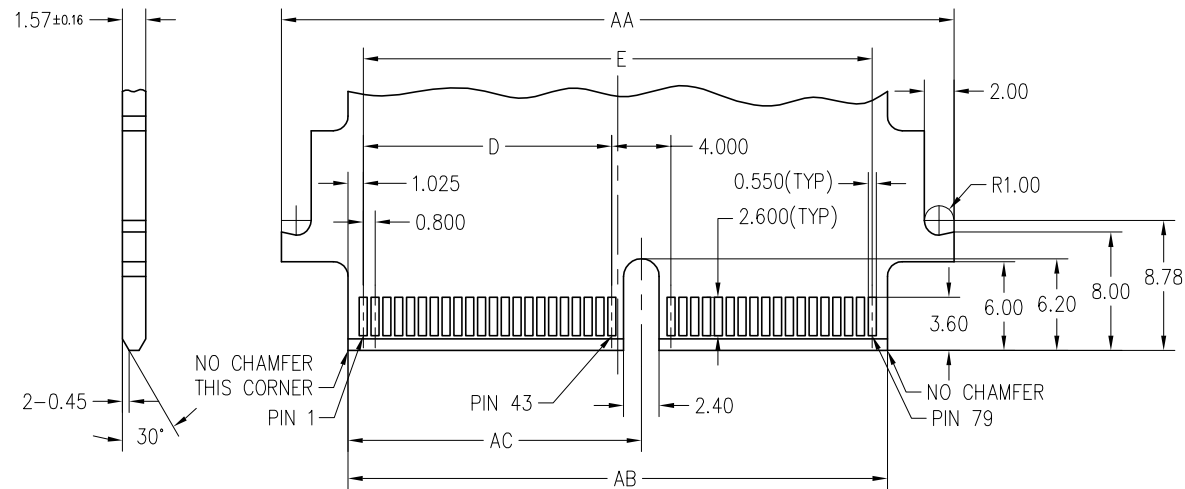
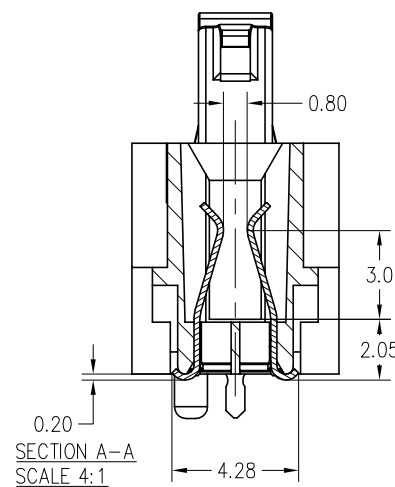
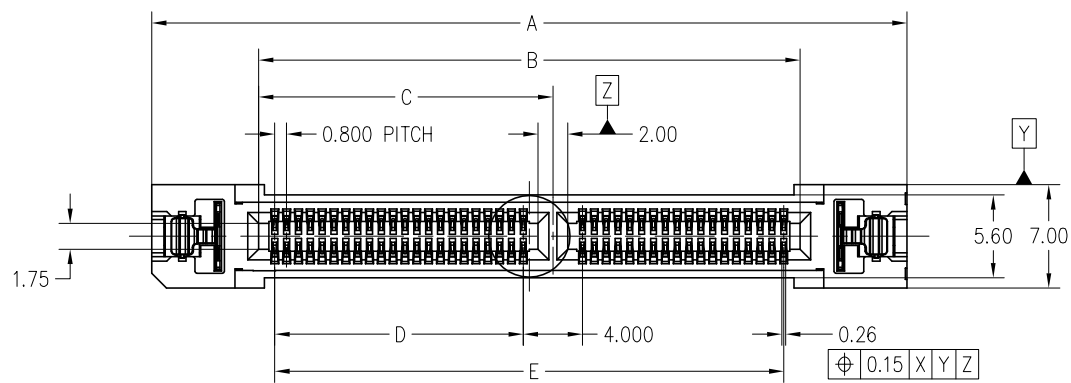
POS.	DIMENSIONS						
	A	B	C	D	E	AA	AB
20	23.85	9.40	7.200	10.20	12.90	18.25	9.25
40	31.85	17.40	15.200	18.20	20.90	26.25	17.25
60	39.85	25.40	23.200	26.20	28.90	34.25	25.25

* TOOLED SIZE

DESIGN REFERENCE	NEXT ASSEMBLY	REV	ECO	ISSUE DATE AND DESCRIPTION	DRFT	CHKD
DISTRIBUTION CODES		DRFT	K.D. LIU	DATE 05/11/11	MFG	DATE
		CHKD		DATE	APPLY	DATE
DIVISION ESD	DIVISION CODE	© 3M COPYRIGHT This document is the copyrighted property of the 3M Company and may not be reproduced without 3M written permission or used for other than 3M authorized purposes.				
DO NOT SCALE DRAWING	SCALE 2:1					
TOLERANCES EXCEPT AS NOTED		TITLE				
INCHES .0 ± .00 ± .000 ± .0000 ±		SPD08 HIGH SPEED CARD EDGE CONNECTOR, 0.8MM PITCH SMT				
MILLIMETERS 0 ± 0.50 .0 ± 0.20 .00 ± 0.10 .000 ± 0.05						
THIRD ANGLE PROJECTION INTERPRET PER ASME Y14.5 - 1994		CAGE NUMBER	SIZE C	DRAWING NO.	REV. A	
MAX SURFACE ROUGHNESS □ ALL SURFACES ✓ □ MARKED ONLY		78-5100-2420-7		SHT 3 OF 4		
ANGLES ± 3°		MODEL		DET. LISTS □ YES □ NO		

3M™ High-Speed Card-Edge CONNECTOR, SPD08

FIG. 4
FOR POSITIONS 064, 080, 100, 120,
140, 160, 180, 200, WITH LATCH OPTION
(SHOWN: SPD08-080-L-RB-TR)



POS.	DIMENSIONS									
	A	B	C	D	E	F	G	AA	AB	AC
64	44.65	30.20	16.70	13.600	28.000	31.00	35.70	39.05	30.05	16.625
80*	51.05	36.60	19.90	16.800	34.400	37.40	42.10	45.45	36.45	19.825
100	59.05	44.60	23.90	20.800	42.400	45.40	50.10	53.45	44.45	23.825
120	67.05	52.60	27.90	24.800	50.400	53.40	58.10	61.45	52.45	27.825
140	75.05	60.60	27.90	24.800	58.400	61.40	66.10	69.45	60.45	27.825
160	83.05	68.60	27.90	24.800	66.400	69.40	74.10	77.45	68.45	27.825
180	91.05	76.60	27.90	24.800	74.400	77.40	82.10	85.45	76.45	27.825
200	99.05	84.60	27.90	24.800	82.400	85.40	90.10	93.45	84.45	27.825

* TOOLED SIZE

DESIGN REFERENCE	NEXT ASSEMBLY	REV	ECO	ISSUE DATE AND DESCRIPTION	DRFT	CHKD
DISTRIBUTION CODES		DRFT	K.D. LIU	DATE 05/11/11	MFG	DATE
		CHKD		DATE	APPLY	DATE
DIVISION ESD	DIVISION CODE	© 3M COPYRIGHT This document is the copyrighted property of the 3M Company and may not be reproduced without 3M written permission or used for other than 3M authorized purposes.				
DO NOT SCALE DRAWING	SCALE 2:1					
TOLERANCES EXCEPT AS NOTED		TITLE				
INCHES .0 ± .00 ± .000 ± .0000 ±		SPD08 HIGH SPEED CARD EDGE CONNECTOR, 0.8MM PITCH SMT				
THIRD ANGLE PROJECTION INTERPRET PER ASME Y14.5 - 1994						
MILLIMETERS 0 ± 0.50 .0 ± 0.20 .00 ± 0.10 .000 ± 0.05		CAGE NUMBER	SIZE C	DRAWING NO.	REV. A	
MAX SURFACE ROUGHNESS □ ALL SURFACES ✓ MARKED ONLY		78-5100-2420-7		SHT 4 OF 4		
ANGLES ± 3°		DET. LISTS □ YES □ NO		MODEL		

Компания «Life Electronics» занимается поставками электронных компонентов импортного и отечественного производства от производителей и со складов крупных дистрибьюторов Европы, Америки и Азии.

С конца 2013 года компания активно расширяет линейку поставок компонентов по направлению коаксиальный кабель, кварцевые генераторы и конденсаторы (керамические, пленочные, электролитические), за счёт заключения дистрибьюторских договоров

Мы предлагаем:

- Конкуренспособные цены и скидки постоянным клиентам.
- Специальные условия для постоянных клиентов.
- Подбор аналогов.
- Поставку компонентов в любых объемах, удовлетворяющих вашим потребностям.
- Приемлемые сроки поставки, возможна ускоренная поставка.
- Доставку товара в любую точку России и стран СНГ.
- Комплексную поставку.
- Работу по проектам и поставку образцов.
- Формирование склада под заказчика.
- Сертификаты соответствия на поставляемую продукцию (по желанию клиента).
- Тестирование поставляемой продукции.
- Поставку компонентов, требующих военную и космическую приемку.
- Входной контроль качества.
- Наличие сертификата ISO.

В составе нашей компании организован Конструкторский отдел, призванный помогать разработчикам, и инженерам.

Конструкторский отдел помогает осуществить:

- Регистрацию проекта у производителя компонентов.
- Техническую поддержку проекта.
- Защиту от снятия компонента с производства.
- Оценку стоимости проекта по компонентам.
- Изготовление тестовой платы монтаж и пусконаладочные работы.



Тел: +7 (812) 336 43 04 (многоканальный)

Email: org@lifeelectronics.ru