

# TLV431A, TLV431B

## Low Voltage Precision Adjustable Shunt Regulator

The TLV431A and B series are precision low voltage shunt regulators that are programmable over a wide voltage range of 1.24 V to 16 V. The TLV431A series features a guaranteed reference accuracy of  $\pm 1.0\%$  at  $25^\circ\text{C}$  and  $\pm 2.0\%$  over the entire industrial temperature range of  $-40^\circ\text{C}$  to  $85^\circ\text{C}$ . For TLV431B series, the accuracy is even higher, it's  $\pm 0.5\%$  and  $\pm 1.0\%$  respectively. These devices exhibit a sharp low current turn-on characteristic with a low dynamic impedance of  $0.20\ \Omega$  over an operating current range of  $100\ \mu\text{A}$  to  $20\ \text{mA}$ . This combination of features makes this series an excellent replacement for zener diodes in numerous applications circuits that require a precise reference voltage. When combined with an optocoupler, the TLV431A/B can be used as an error amplifier for controlling the feedback loop in isolated low output voltage (3.0 V to 3.3 V) switching power supplies. These devices are available in economical TO-92-3 and micro size TSOP-5 and SOT-23-3 packages.

### Features

- Programmable Output Voltage Range of 1.24 V to 16 V
- Voltage Reference Tolerance  $\pm 1.0\%$  for A Series and  $\pm 0.5\%$  for B Series
- Sharp Low Current Turn-On Characteristic
- Low Dynamic Output Impedance of  $0.20\ \Omega$  from  $100\ \mu\text{A}$  to  $20\ \text{mA}$
- Wide Operating Current Range of  $50\ \mu\text{A}$  to  $20\ \text{mA}$
- Micro Miniature TSOP-5, SOT-23-3 and TO-92-3 Packages
- Pb-Free Packages are Available

### Applications

- Low Output Voltage (3.0 V to 3.3 V) Switching Power Supply Error Amplifier
- Adjustable Voltage or Current Linear and Switching Power Supplies
- Voltage Monitoring
- Current Source and Sink Circuits
- Analog and Digital Circuits Requiring Precision References
- Low Voltage Zener Diode Replacements

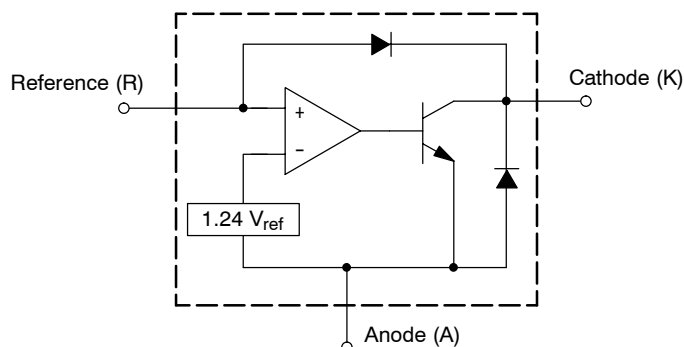
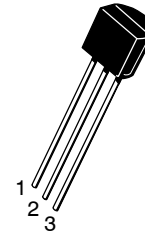


Figure 1. Representative Block Diagram

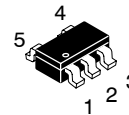


ON Semiconductor®

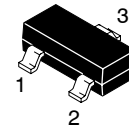
<http://onsemi.com>



TO-92-3-3  
LP SUFFIX  
CASE 29



TSOP-5  
SN SUFFIX  
CASE 483



SOT-23-3  
SN1 SUFFIX  
CASE 318

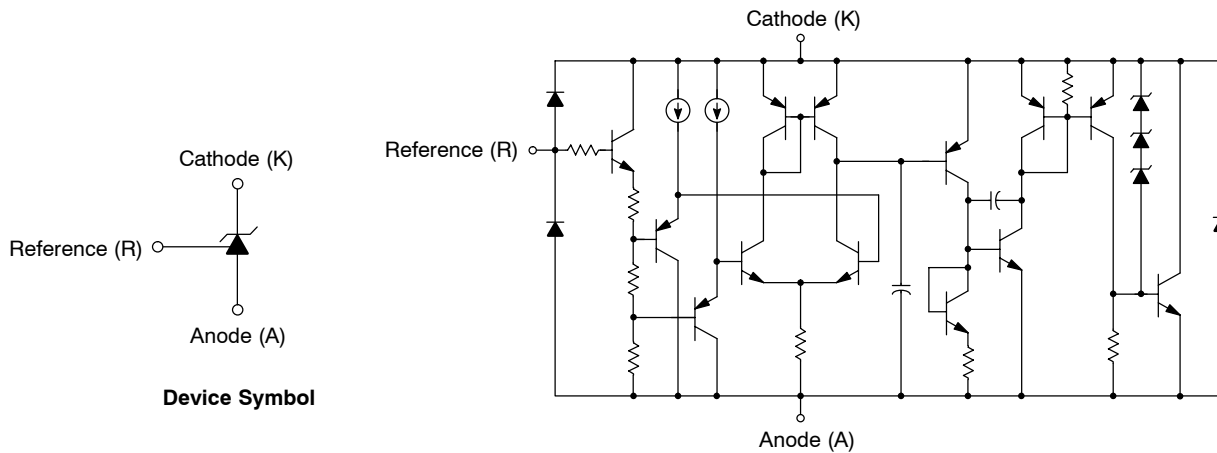
### ORDERING INFORMATION

See detailed ordering and shipping information in the package dimensions section on page 11 of this data sheet.

### DEVICE MARKING INFORMATION AND PIN CONNECTIONS

See general marking information in the device marking section on page 11 of this data sheet.

# TLV431A, TLV431B



The device contains 13 active transistors.

**Figure 2. Representative Device Symbol and Schematic Diagram**

**MAXIMUM RATINGS** (Full operating ambient temperature range applies, unless otherwise noted)

Rating	Symbol	Value	Unit
Cathode to Anode Voltage	$V_{KA}$	18	V
Cathode Current Range, Continuous	$I_K$	-20 to 25	mA
Reference Input Current Range, Continuous	$I_{ref}$	-0.05 to 10	mA
Thermal Characteristics			$^{\circ}C/W$
LP Suffix Package, TO-92-3 Package			
Thermal Resistance, Junction-to-Ambient	$R_{\theta JA}$	178	
Thermal Resistance, Junction-to-Case	$R_{\theta JC}$	83	
SN Suffix Package, TSOP-5 Package			
Thermal Resistance, Junction-to-Ambient	$R_{\theta JA}$	226	
SN1 Suffix Package, SOT-23-3 Package			
Thermal Resistance, Junction-to-Ambient	$R_{\theta JA}$	491	
Operating Junction Temperature	$T_J$	150	$^{\circ}C$
Operating Ambient Temperature Range	$T_A$	-40 to 85	$^{\circ}C$
Storage Temperature Range	$T_{stg}$	-65 to 150	$^{\circ}C$

Maximum ratings are those values beyond which device damage can occur. Maximum ratings applied to the device are individual stress limit values (not normal operating conditions) and are not valid simultaneously. If these limits are exceeded, device functional operation is not implied, damage may occur and reliability may be affected.

NOTE: This device series contains ESD protection and exceeds the following tests: Human Body Model 2000 V per MIL-STD-883, Method 3015. Machine Model Method 200 V.

$$P_D = \frac{T_{J(max)} - T_A}{R_{\theta JA}}$$

**RECOMMENDED OPERATING CONDITIONS**

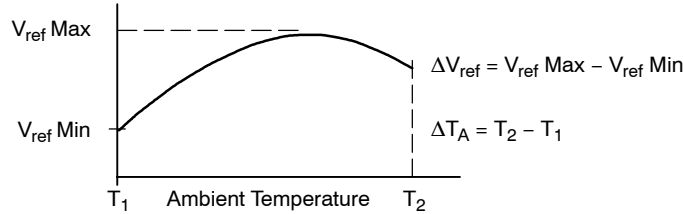
Condition	Symbol	Min	Max	Unit
Cathode to Anode Voltage	$V_{KA}$	$V_{ref}$	16	V
Cathode Current	$I_K$	0.1	20	mA

# TLV431A, TLV431B

## ELECTRICAL CHARACTERISTICS (T<sub>A</sub> = 25°C unless otherwise noted)

Characteristic	Symbol	TLV431A			TLV431B			Unit
		Min	Typ	Max	Min	Typ	Max	
Reference Voltage (Figure 3) (V <sub>KA</sub> = V <sub>ref</sub> , I <sub>K</sub> = 10 mA, T <sub>A</sub> = 25°C) (T <sub>A</sub> = T <sub>low</sub> to T <sub>high</sub> , Note 1)	V <sub>ref</sub>	1.228 1.215	1.240 –	1.252 1.265	1.234 1.228	1.240 –	1.246 1.252	V
Reference Input Voltage Deviation Over Temperature (Figure 3) (V <sub>KA</sub> = V <sub>ref</sub> , I <sub>K</sub> = 10 mA, T <sub>A</sub> = T <sub>low</sub> to T <sub>high</sub> , Note 1)	ΔV <sub>ref</sub>	–	7.2	20	–	7.2	20	mV
Ration of Reference Input Voltage Change to Cathode Voltage Change (Figure 4) (V <sub>KA</sub> = V <sub>ref</sub> to 16 V, I <sub>K</sub> = 10 mA)	$\frac{\Delta V_{ref}}{\Delta V_{KA}}$	–	–0.6	–1.5	–	–0.6	–1.5	$\frac{mV}{V}$
Reference Terminal Current (Figure 4) (I <sub>K</sub> = 10 mA, R1 = 10 kΩ, R2 = open)	I <sub>ref</sub>	–	0.15	0.3	–	0.15	0.3	μA
Reference Input Current Deviation Over Temperature (Figure 4) (I <sub>K</sub> = 10 mA, R1 = 10 kΩ, R2 = open, Notes 1, 2)	ΔI <sub>ref</sub>	–	0.04	0.08	–	0.04	0.08	μA
Minimum Cathode Current for Regulation (Figure 3)	I <sub>K(min)</sub>	–	55	80	–	55	80	μA
Off-State Cathode Current (Figure 5) (V <sub>KA</sub> = 6.0 V, V <sub>ref</sub> = 0) (V <sub>KA</sub> = 16 V, V <sub>ref</sub> = 0)	I <sub>K(off)</sub>	– –	0.01 0.012	0.04 0.05	– –	0.01 0.012	0.04 0.05	μA
Dynamic Impedance (Figure 3) (V <sub>KA</sub> = V <sub>ref</sub> , I <sub>K</sub> = 0.1 mA to 20 mA, f ≤ 1.0 kHz, Note 3)	Z <sub>KA</sub>	–	0.25	0.4	–	0.25	0.4	Ω

- Ambient temperature range: T<sub>low</sub> = –40°C, T<sub>high</sub> = 85°C.
- The deviation parameters ΔV<sub>ref</sub> and ΔI<sub>ref</sub> are defined as the difference between the maximum value and minimum value obtained over the full operating ambient temperature range that applied.



The average temperature coefficient of the reference input voltage, αV<sub>ref</sub> is defined as:

$$\alpha V_{ref} \left( \frac{\text{ppm}}{^{\circ}\text{C}} \right) = \frac{\left( \frac{\Delta V_{ref}}{V_{ref} (T_A = 25^{\circ}\text{C})} \times 10^6 \right)}{\Delta T_A}$$

αV<sub>ref</sub> can be positive or negative depending on whether V<sub>ref</sub> Min or V<sub>ref</sub> Max occurs at the lower ambient temperature, refer to Figure 8.

Example: ΔV<sub>ref</sub> = 7.2 mV and the slope is positive,

$$V_{ref} @ 25^{\circ}\text{C} = 1.241 \text{ V}$$

$$\Delta T_A = 125^{\circ}\text{C}$$

$$\alpha V_{ref} \left( \frac{\text{ppm}}{^{\circ}\text{C}} \right) = \frac{0.0072 \times 10^6}{1.241} = 46 \text{ ppm}/^{\circ}\text{C}$$

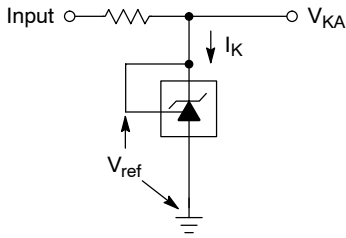
- The dynamic impedance Z<sub>KA</sub> is defined as:

$$|Z_{KA}| = \frac{\Delta V_{KA}}{\Delta I_K}$$

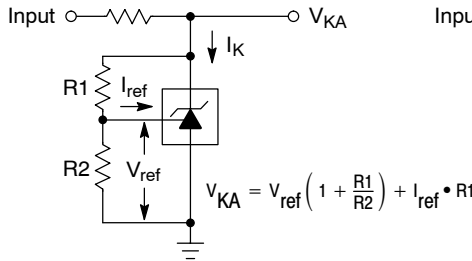
When the device is operating with two external resistors, R1 and R2, (refer to Figure 4) the total dynamic impedance of the circuit is given by:

$$|Z_{KA}'| = |Z_{KA}| \times \left( 1 + \frac{R1}{R2} \right)$$

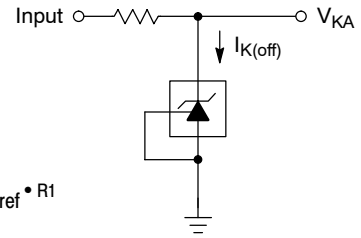
# TLV431A, TLV431B



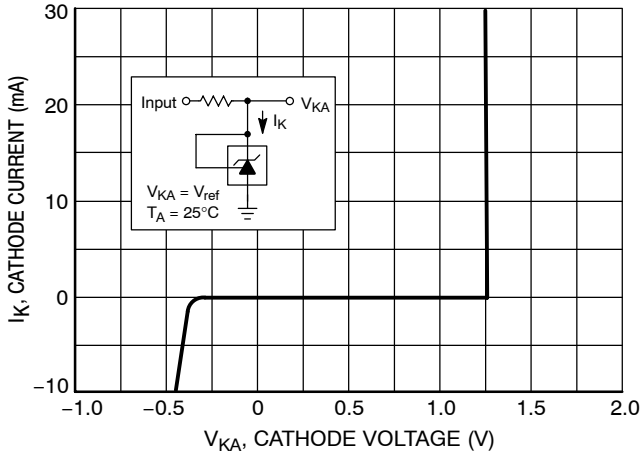
**Figure 3. Test Circuit for  $V_{KA} = V_{ref}$**



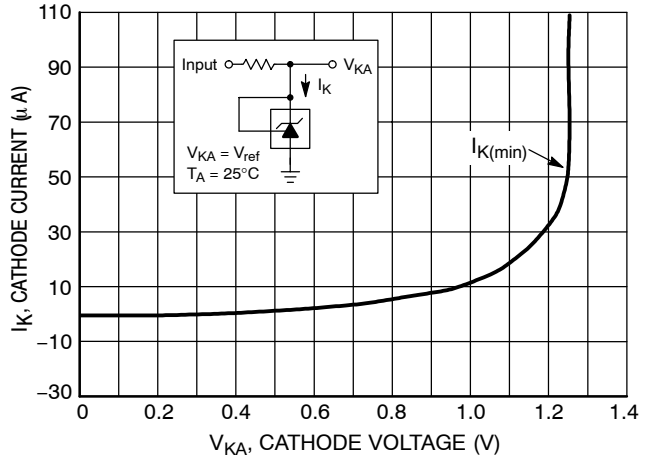
**Figure 4. Test Circuit for  $V_{KA} > V_{ref}$**



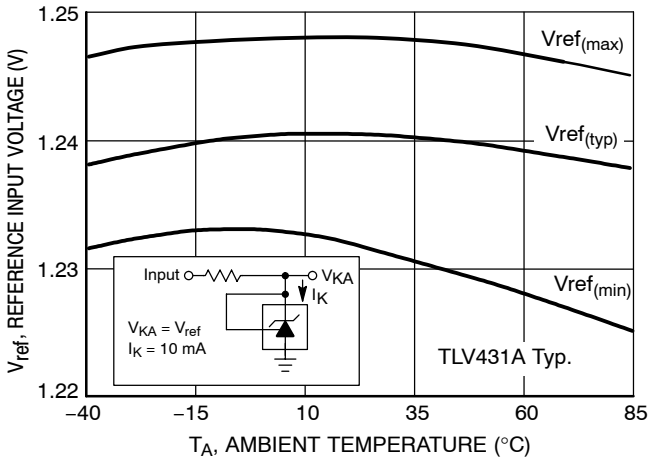
**Figure 5. Test Circuit for  $I_{K(off)}$**



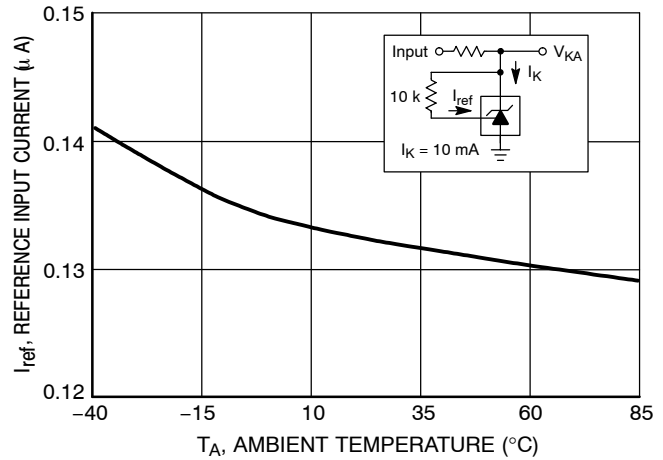
**Figure 6. Cathode Current vs. Cathode Voltage**



**Figure 7. Cathode Current vs. Cathode Voltage**

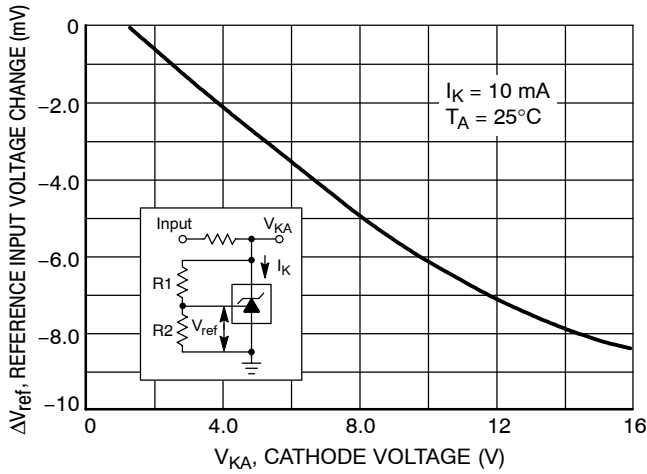


**Figure 8. Reference Input Voltage versus Ambient Temperature**

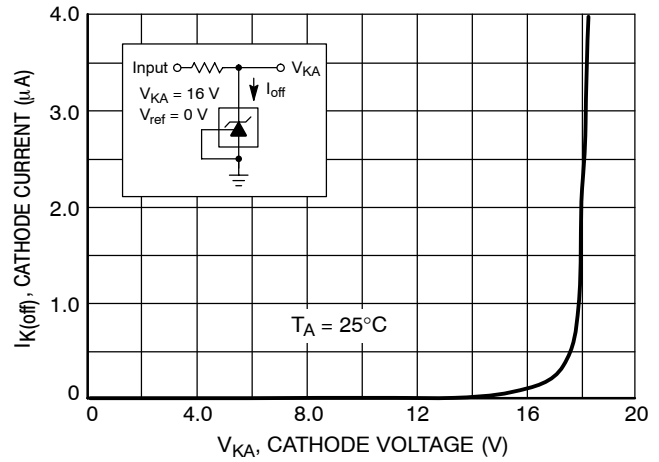


**Figure 9. Reference Input Current versus Ambient Temperature**

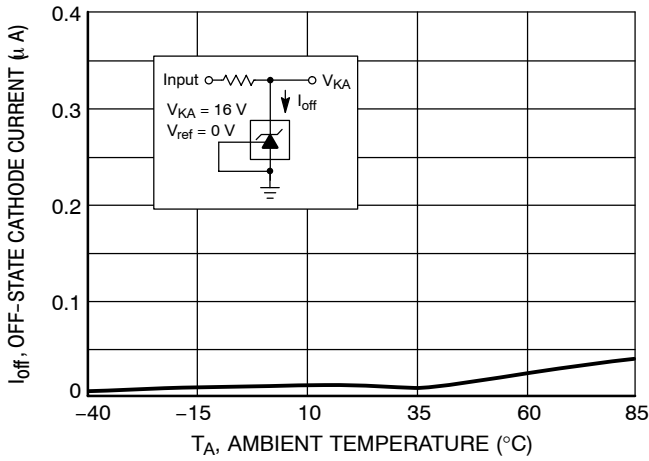
# TLV431A, TLV431B



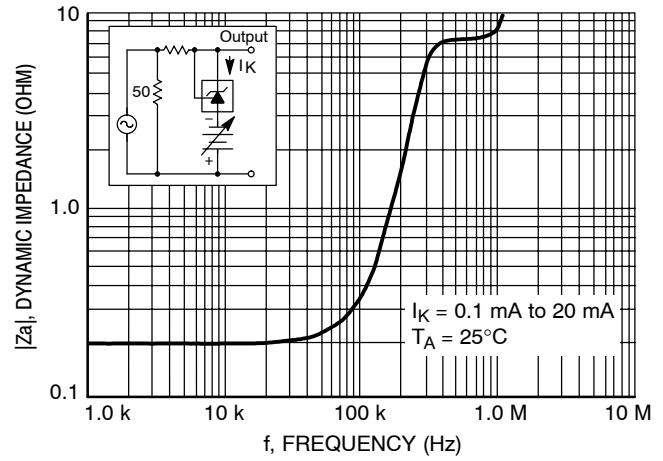
**Figure 10. Reference Input Voltage Change versus Cathode Voltage**



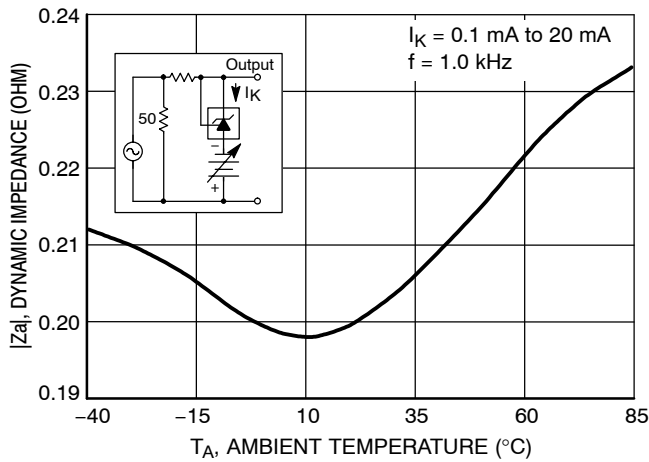
**Figure 11. Off-State Cathode Current versus Cathode Voltage**



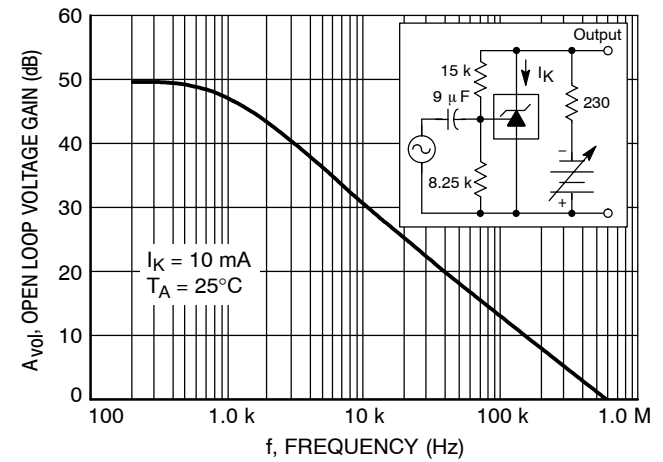
**Figure 12. Off-State Cathode Current versus Ambient Temperature**



**Figure 13. Dynamic Impedance versus Frequency**



**Figure 14. Dynamic Impedance versus Ambient Temperature**



**Figure 15. Open-Loop Voltage Gain versus Frequency**

# TLV431A, TLV431B

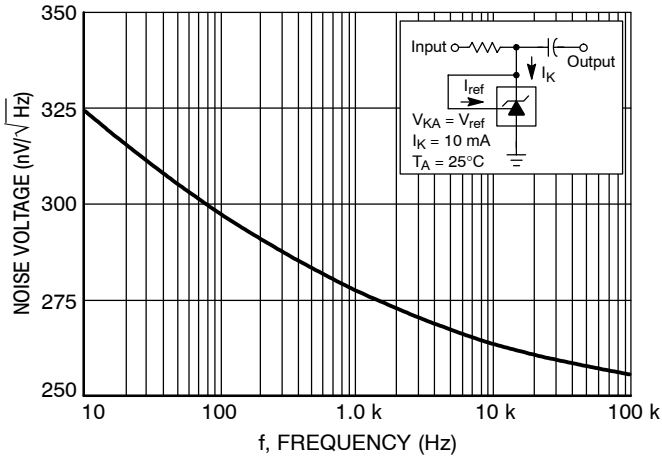


Figure 16. Spectral Noise Density

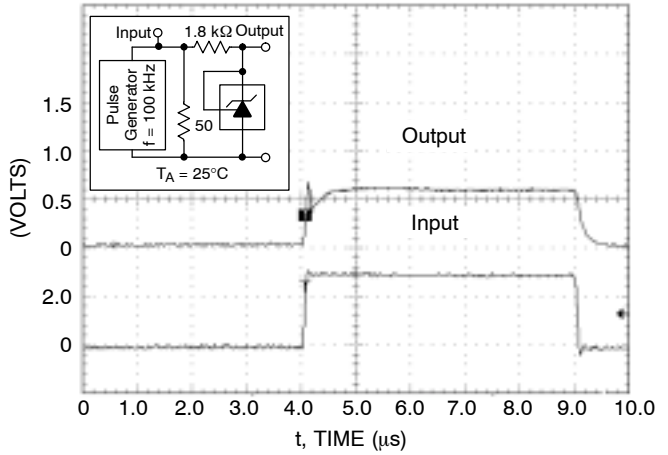


Figure 17. Pulse Response

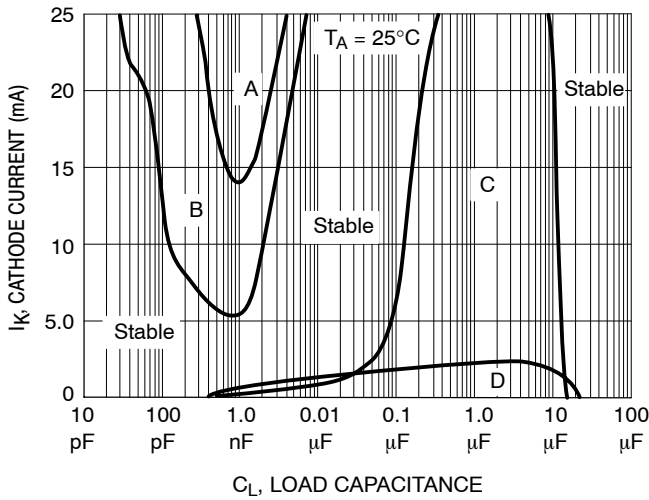
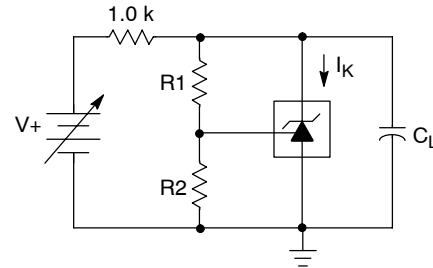


Figure 18. Stability Boundary Conditions



Unstable Regions	V <sub>KA</sub> (V)	R1 (kΩ)	R2 (kΩ)
A, C	V <sub>ref</sub>	0	∞
B, D	5.0	30.4	10

Figure 19. Test Circuit for Figure 18

## Stability

Figures 18 and 19 show the stability boundaries and circuit configurations for the worst case conditions with the load capacitance mounted as close as possible to the device. The required load capacitance for stable operation can vary depending on the operating temperature and capacitor

equivalent series resistance (ESR). Ceramic or tantalum surface mount capacitors are recommended for both temperature and ESR. The application circuit stability should be verified over the anticipated operating current and temperature ranges.

TYPICAL APPLICATIONS

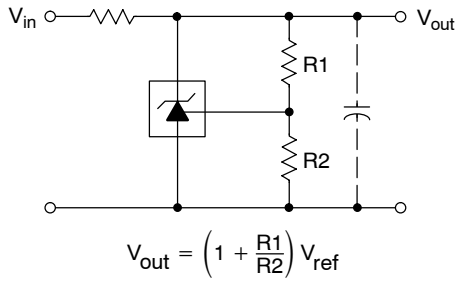


Figure 20. Shunt Regulator

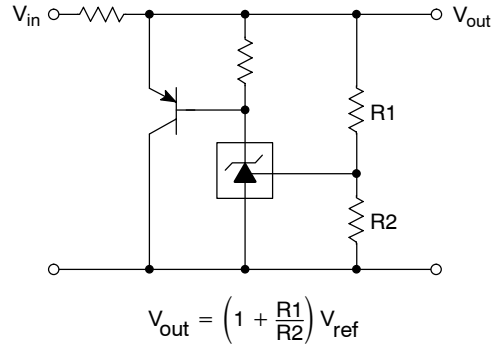


Figure 21. High Current Shunt Regulator

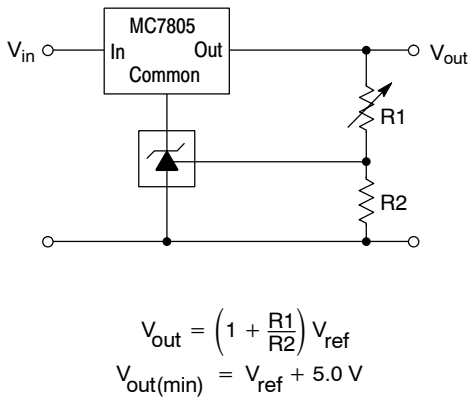


Figure 22. Output Control for a Three Terminal Fixed Regulator

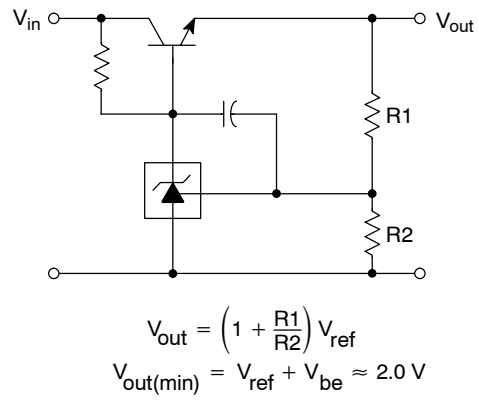
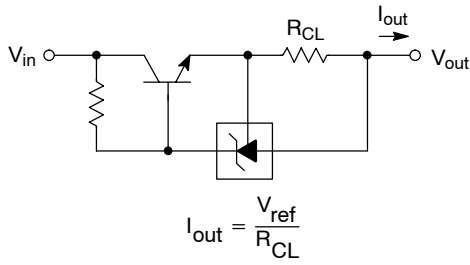


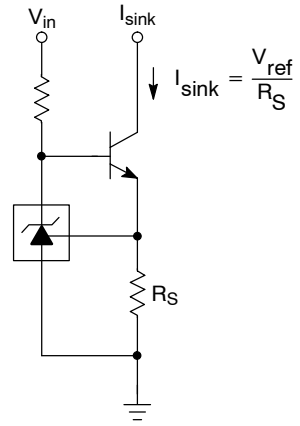
Figure 23. Series Pass Regulator

# TLV431A, TLV431B



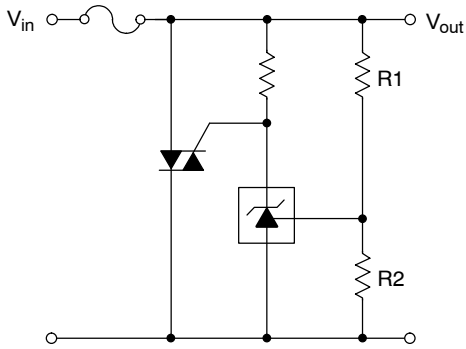
$$I_{out} = \frac{V_{ref}}{R_{CL}}$$

Figure 24. Constant Current Source



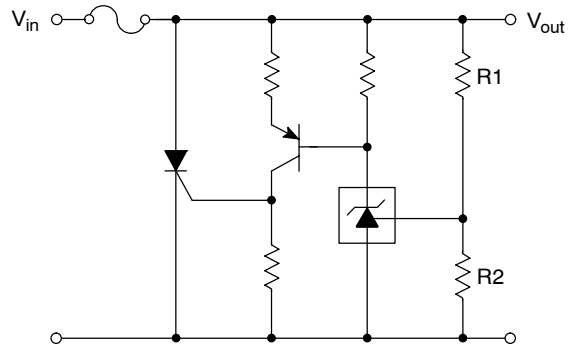
$$I_{sink} = \frac{V_{ref}}{R_S}$$

Figure 25. Constant Current Sink



$$V_{out(trip)} = \left(1 + \frac{R1}{R2}\right) V_{ref}$$

Figure 26. TRIAC Crowbar

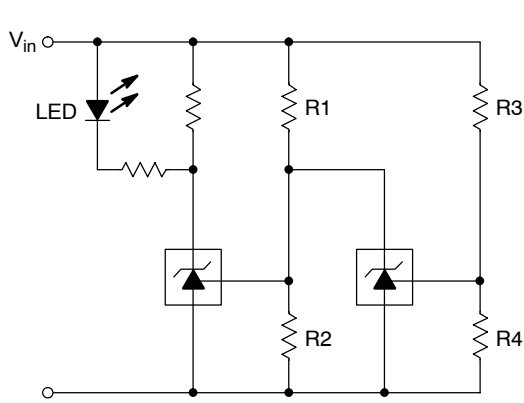


$$V_{out(trip)} = \left(1 + \frac{R1}{R2}\right) V_{ref}$$

Figure 27. SCR Crowbar



# TLV431A, TLV431B

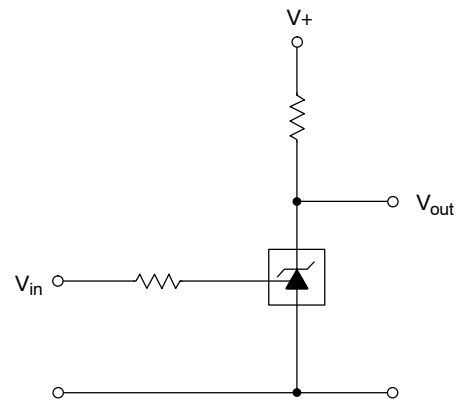


L.E.D. indicator is 'ON' when  $V_{in}$  is between the upper and lower limits,

$$\text{Lower limit} = \left(1 + \frac{R1}{R2}\right) V_{ref}$$

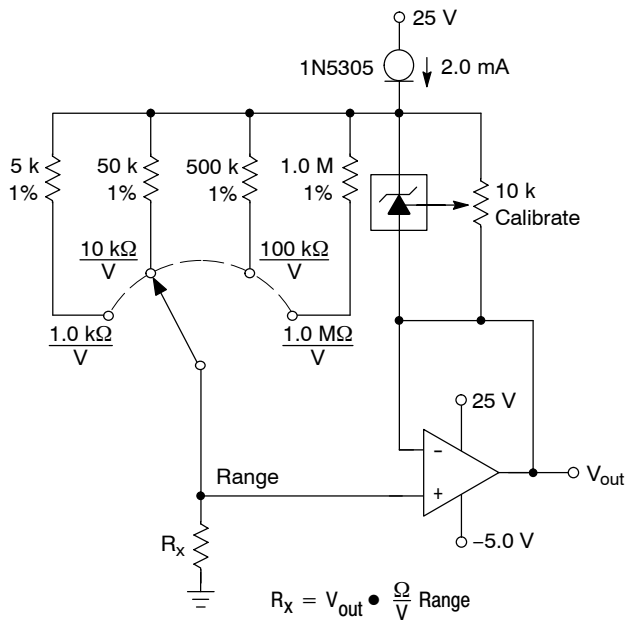
$$\text{Upper limit} = \left(1 + \frac{R3}{R4}\right) V_{ref}$$

**Figure 28. Voltage Monitor**

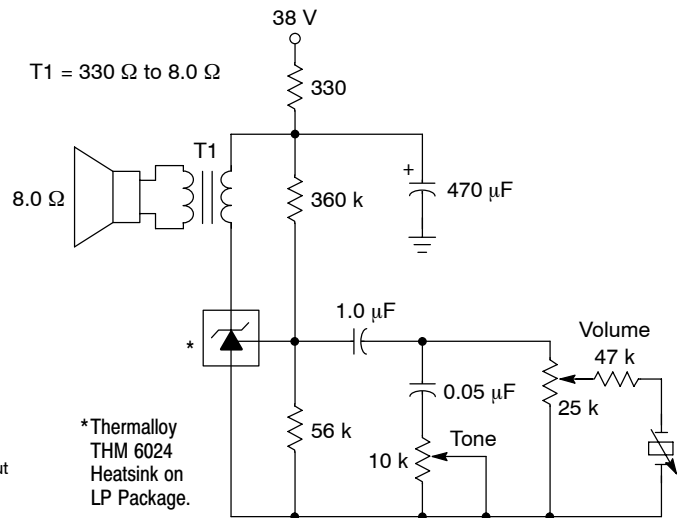


$V_{in}$	$V_{out}$
$< V_{ref}$	$V+$
$> V_{ref}$	$\approx 0.74 V$

**Figure 29. Single-Supply Comparator with Temperature-Compensated Threshold**



**Figure 30. Linear Ohmmeter**

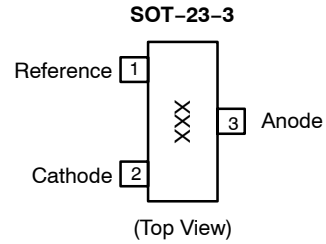
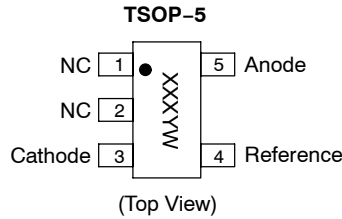
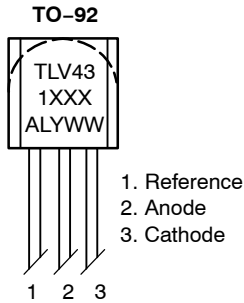


**Figure 31. Simple 400 mW Phono Amplifier**



# TLV431A, TLV431B

## PIN CONNECTIONS AND DEVICE MARKING



XXX = Specific Device Code  
 A = Assembly Location  
 L = Wafer Lot  
 Y = Year  
 WW, W = Work Week

## ORDERING INFORMATION

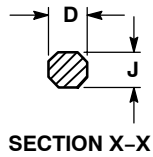
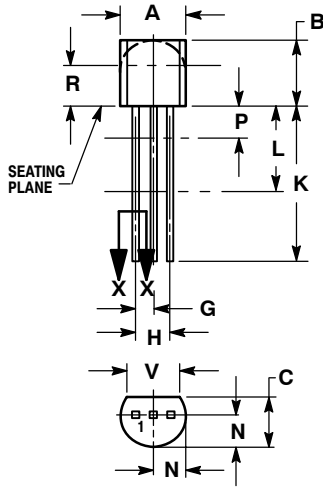
Device	Device Code	Package	Shipping <sup>†</sup>
TLV431ALP	ALP	TO-92-3	6000/Box
TLV431ALPG	ALP	TO-92-3 (Pb-Free)	6000/Box
TLV431ALPRA	ALP	TO-92-3	2000/Tape & Reel
TLV431ALPRAG	ALP	TO-92-3 (Pb-Free)	2000/Tape & Reel
TLV431ALPRE	ALP	TO-92-3	2000/Tape & Reel
TLV431ALPREG	ALP	TO-92-3 (Pb-Free)	2000/Tape & Reel
TLV431ALPRM	ALP	TO-92-3	2000/Ammo Pack
TLV431ALPRP	ALP	TO-92-3	2000/Ammo Pack
TLV431ALPRPG	ALP	TO-92-3 (Pb-Free)	2000/Ammo Pack
TLV431ASNT1	RAA	TSOP-5	3000/Tape & Reel
TLV431ASNT1G	RAA	TSOP-5 (Pb-Free)	3000/Tape & Reel
TLV431ASN1T1	RAF	SOT-23-3	3000/Tape & Reel
TLV431ASN1T1G	RAF	SOT-23-3 (Pb-Free)	3000/Tape & Reel
TLV431BLP	BLP	TO-92-3	6000/Box
TLV431BLPRA	BLP	TO-92-3	2000/Tape & Reel
TLV431BLPRAG	BLP	TO-92-3 (Pb-Free)	2000/Tape & Reel
TLV431BLPRE	BLP	TO-92-3	2000/Tape & Reel
TLV431BLPRM	BLP	TO-92-3	2000/Ammo Pack
TLV431BLPRP	BLP	TO-92-3	2000/Ammo Pack
TLV431BSNT1	RAH	TSOP-5	3000/Tape & Reel
TLV431BSNT1G	RAH	TSOP-5 (Pb-Free)	3000/Tape & Reel
TLV431BSN1T1	RAG	SOT-23-3	3000/Tape & Reel
TLV431BSN1T1G	RAG	SOT-23-3 (Pb-Free)	3000/Tape & Reel

<sup>†</sup>For information on tape and reel specifications, including part orientation and tape sizes, please refer to our Tape and Reel Packaging Specifications Brochure, BRD8011/D.

# TLV431A, TLV431B

## PACKAGE DIMENSIONS

TO-92-3  
LP SUFFIX  
CASE 29-11  
ISSUE AL



NOTES:

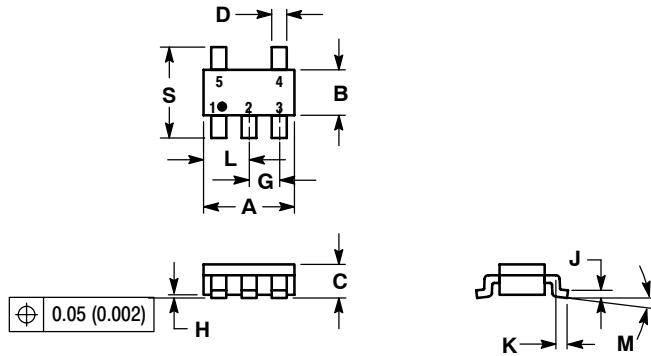
1. DIMENSIONING AND TOLERANCING PER ANSI Y14.5M, 1982.
2. CONTROLLING DIMENSION: INCH.
3. CONTOUR OF PACKAGE BEYOND DIMENSION R IS UNCONTROLLED.
4. LEAD DIMENSION IS UNCONTROLLED IN P AND BEYOND DIMENSION K MINIMUM.

DIM	INCHES		MILLIMETERS	
	MIN	MAX	MIN	MAX
A	0.175	0.205	4.45	5.20
B	0.170	0.210	4.32	5.33
C	0.125	0.165	3.18	4.19
D	0.016	0.021	0.407	0.533
G	0.045	0.055	1.15	1.39
H	0.095	0.105	2.42	2.66
J	0.015	0.020	0.39	0.50
K	0.500	---	12.70	---
L	0.250	---	6.35	---
N	0.080	0.105	2.04	2.66
P	---	0.100	---	2.54
R	0.115	---	2.93	---
V	0.135	---	3.43	---

# TLV431A, TLV431B

## PACKAGE DIMENSIONS

**TSOP-5**  
SN SUFFIX  
CASE 483-02  
ISSUE C

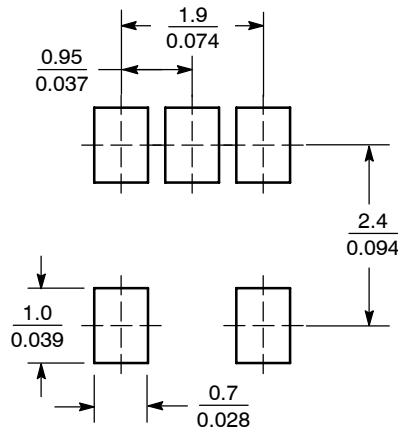


**NOTES:**

1. DIMENSIONING AND TOLERANCING PER ANSI Y14.5M, 1982.
2. CONTROLLING DIMENSION: MILLIMETER.
3. MAXIMUM LEAD THICKNESS INCLUDES LEAD FINISH THICKNESS. MINIMUM LEAD THICKNESS IS THE MINIMUM THICKNESS OF BASE MATERIAL.
4. A AND B DIMENSIONS DO NOT INCLUDE MOLD FLASH, PROTRUSIONS, OR GATE BURRS.

DIM	MILLIMETERS		INCHES	
	MIN	MAX	MIN	MAX
A	2.90	3.10	0.1142	0.1220
B	1.30	1.70	0.0512	0.0669
C	0.90	1.10	0.0354	0.0433
D	0.25	0.50	0.0098	0.0197
G	0.85	1.05	0.0335	0.0413
H	0.013	0.100	0.0005	0.0040
J	0.10	0.26	0.0040	0.0102
K	0.20	0.60	0.0079	0.0236
L	1.25	1.55	0.0493	0.0610
M	0	10	0	10
S	2.50	3.00	0.0985	0.1181

### SOLDERING FOOTPRINT\*



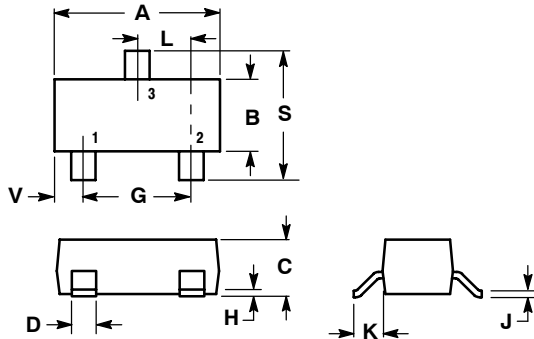
### TSOP-5

\*For additional information on our Pb-Free strategy and soldering details, please download the ON Semiconductor Soldering and Mounting Techniques Reference Manual, SOLDERRM/D.

# TLV431A, TLV431B

## PACKAGE DIMENSIONS

**SOT-23-3**  
**SN1 SUFFIX**  
**CASE 318-09**  
**ISSUE AK**

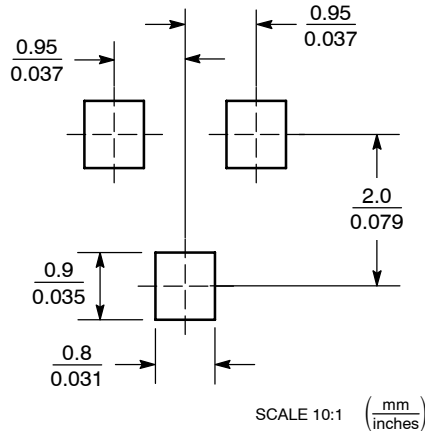


**NOTES:**

1. DIMENSIONING AND TOLERANCING PER ANSI Y14.5M, 1982.
2. CONTROLLING DIMENSION: INCH.
3. MAXIMUM LEAD THICKNESS INCLUDES LEAD FINISH THICKNESS. MINIMUM LEAD THICKNESS IS THE MINIMUM THICKNESS OF BASE MATERIAL.
4. 318-01 THRU -07 AND -09 OBSOLETE, NEW STANDARD 318-08.

DIM	INCHES		MILLIMETERS	
	MIN	MAX	MIN	MAX
A	0.1102	0.1197	2.80	3.04
B	0.0472	0.0551	1.20	1.40
C	0.0350	0.0440	0.89	1.11
D	0.0150	0.0200	0.37	0.50
G	0.0701	0.0807	1.78	2.04
H	0.0005	0.0040	0.013	0.100
J	0.0034	0.0070	0.085	0.177
K	0.0140	0.0285	0.35	0.69
L	0.0350	0.0401	0.89	1.02
S	0.0830	0.1039	2.10	2.64
V	0.0177	0.0236	0.45	0.60

### SOLDERING FOOTPRINT\*



### SOT-23-3

\*For additional information on our Pb-Free strategy and soldering details, please download the ON Semiconductor Soldering and Mounting Techniques Reference Manual, SOLDERRM/D.

ON Semiconductor and are registered trademarks of Semiconductor Components Industries, LLC (SCILLC). SCILLC reserves the right to make changes without further notice to any products herein. SCILLC makes no warranty, representation or guarantee regarding the suitability of its products for any particular purpose, nor does SCILLC assume any liability arising out of the application or use of any product or circuit, and specifically disclaims any and all liability, including without limitation special, consequential or incidental damages. "Typical" parameters which may be provided in SCILLC data sheets and/or specifications can and do vary in different applications and actual performance may vary over time. All operating parameters, including "Typicals" must be validated for each customer application by customer's technical experts. SCILLC does not convey any license under its patent rights nor the rights of others. SCILLC products are not designed, intended, or authorized for use as components in systems intended for surgical implant into the body, or other applications intended to support or sustain life, or for any other application in which the failure of the SCILLC product could create a situation where personal injury or death may occur. Should Buyer purchase or use SCILLC products for any such unintended or unauthorized application, Buyer shall indemnify and hold SCILLC and its officers, employees, subsidiaries, affiliates, and distributors harmless against all claims, costs, damages, and expenses, and reasonable attorney fees arising out of, directly or indirectly, any claim of personal injury or death associated with such unintended or unauthorized use, even if such claim alleges that SCILLC was negligent regarding the design or manufacture of the part. SCILLC is an Equal Opportunity/Affirmative Action Employer. This literature is subject to all applicable copyright laws and is not for resale in any manner.

### PUBLICATION ORDERING INFORMATION

**LITERATURE FULFILLMENT:**  
 Literature Distribution Center for ON Semiconductor  
 P.O. Box 61312, Phoenix, Arizona 85082-1312 USA  
**Phone:** 480-829-7710 or 800-344-3860 Toll Free USA/Canada  
**Fax:** 480-829-7709 or 800-344-3867 Toll Free USA/Canada  
**Email:** orderlit@onsemi.com

**N. American Technical Support:** 800-282-9855 Toll Free  
 USA/Canada

**Japan:** ON Semiconductor, Japan Customer Focus Center  
 2-9-1 Kamimeguro, Meguro-ku, Tokyo, Japan 153-0051  
**Phone:** 81-3-5773-3850

**ON Semiconductor Website:** <http://onsemi.com>

**Order Literature:** <http://www.onsemi.com/litorder>

For additional information, please contact your local Sales Representative.

Компания «Life Electronics» занимается поставками электронных компонентов импортного и отечественного производства от производителей и со складов крупных дистрибьюторов Европы, Америки и Азии.

С конца 2013 года компания активно расширяет линейку поставок компонентов по направлению коаксиальный кабель, кварцевые генераторы и конденсаторы (керамические, пленочные, электролитические), за счёт заключения дистрибьюторских договоров

Мы предлагаем:

- Конкуренспособные цены и скидки постоянным клиентам.
- Специальные условия для постоянных клиентов.
- Подбор аналогов.
- Поставку компонентов в любых объемах, удовлетворяющих вашим потребностям.
- Приемлемые сроки поставки, возможна ускоренная поставка.
- Доставку товара в любую точку России и стран СНГ.
- Комплексную поставку.
- Работу по проектам и поставку образцов.
- Формирование склада под заказчика.
- Сертификаты соответствия на поставляемую продукцию (по желанию клиента).
- Тестирование поставляемой продукции.
- Поставку компонентов, требующих военную и космическую приемку.
- Входной контроль качества.
- Наличие сертификата ISO.

В составе нашей компании организован Конструкторский отдел, призванный помогать разработчикам, и инженерам.

Конструкторский отдел помогает осуществить:

- Регистрацию проекта у производителя компонентов.
- Техническую поддержку проекта.
- Защиту от снятия компонента с производства.
- Оценку стоимости проекта по компонентам.
- Изготовление тестовой платы монтаж и пусконаладочные работы.



Тел: +7 (812) 336 43 04 (многоканальный)

Email: [org@lifeelectronics.ru](mailto:org@lifeelectronics.ru)