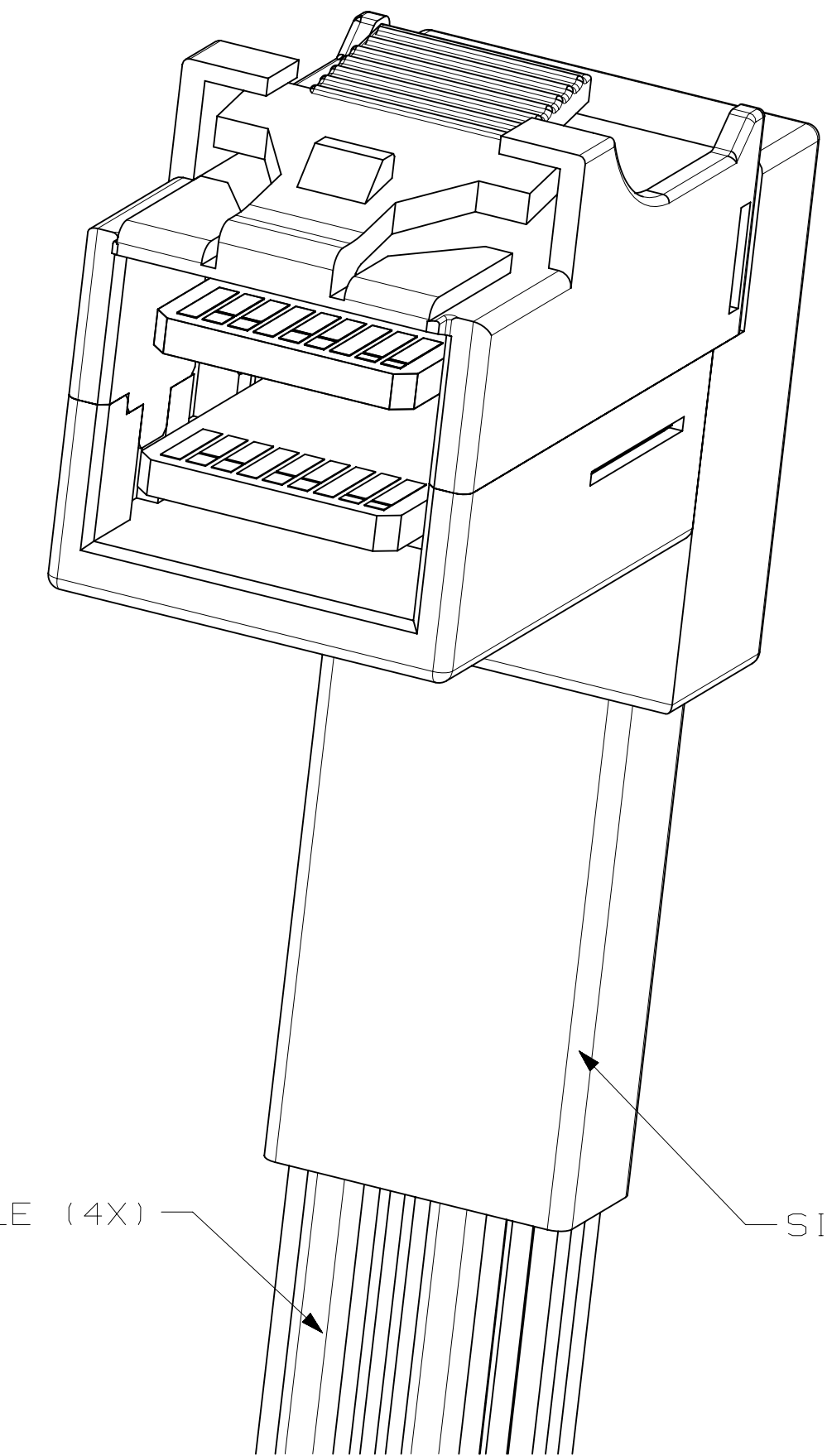
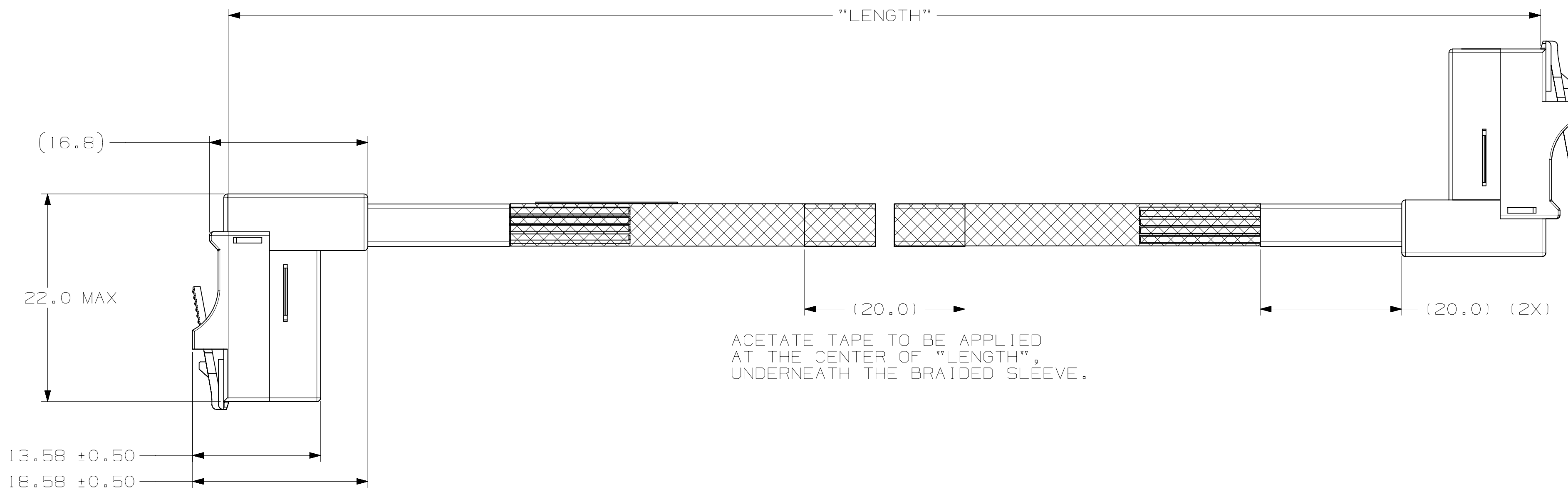
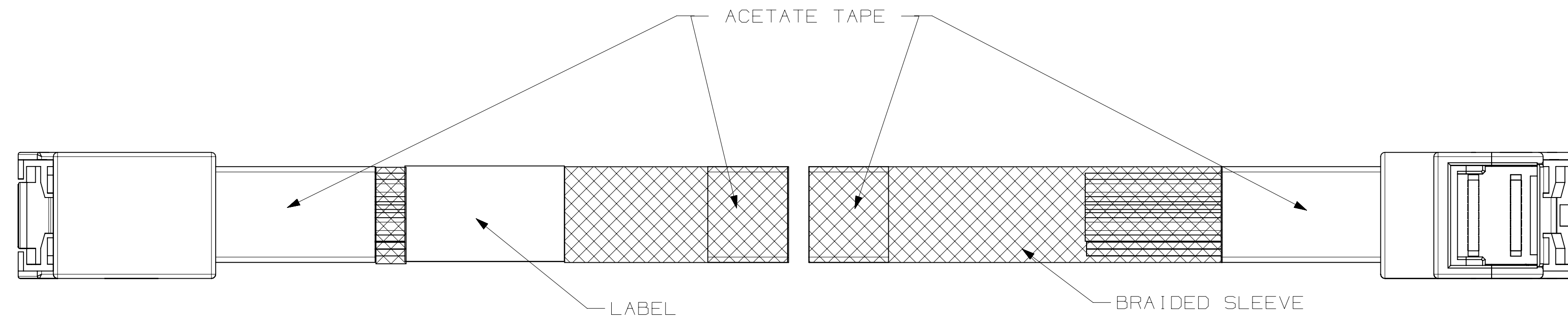


3M™ HIGH ROUTABILITY INTERNAL MINISAS HD CABLE ASSEMBLIES, 8U SERIES

RIGHT-ANGLE - TO - RIGHT-ANGLE INTERNAL MINISAS HD CABLE ASSEMBLY



3M PART NUMBER

8US4-XXX39-00-X.XX  
YYWWD

LABEL INFORMATION

LOT NUMBER

|                           |  |  |  |   |              |   |              |              |
|---------------------------|--|--|--|---|--------------|---|--------------|--------------|
| DESIGN REFERENCE          |  | NEXT ASSEMBLY  |  | REV   | ECO          | ISSUE DATE AND DESCRIPTION  | DRFT         | CHKD         |
| DISTRIBUTION CODES        |  |  |  | DRY   | KOK HOE LEE  | DATE  | OCT 17, 2014 | MFG DATE     |
| DIVISION                  |  | DIVISION CODE  |  | CHKD  | YUNLONG QIAO | DATE  | OCT 17, 2014 | APPR         |
| DO NOT SCALE DRAWING      |  | SCALE 1/1  |  | TOLERANCES EXCEPT AS NOTED  |              | INCHES<br>.00 ±<br>.000 ±<br>.0000 ±  |              |              |
| THIRD ANGLE PROJECTION    |  | INTERPRET PER ASME Y14.5 - 1994  |  | MILLIMETERS   |              | 0 ±.1<br>.0 ±.05<br>.000 ±.005  |              |              |
| MAX SURFACE ROUGHNESS 125 |  | <input type="checkbox"/> ALL SURFACES<br><input checked="" type="checkbox"/> MARKED ONLY |  | ANGLES ±1°  |              | TITLE<br>INTERNAL MINISAS HD CABLE ASSEMBLY RIGHT-ANGLE CONNECTOR<br>CAGE NUMBER<br>D 78-5100-2651-7<br>MODEL |              |              |
|                           |  |  |  | A 0060617   |              | OCT 17, 2014  |              | KHL SB       |
|                           |  |  |  | REV   |              | DATE  |              | DRFT         |
|                           |  |  |  | OCT 17, 2014  |              | MFG DATE  |              | DATE         |
|                           |  |  |  | OCT 17, 2014  |              | SAJJIT BANDHU   |              | OCT 17, 2014 |
|                           |  |  |  | © 3M COPYRIGHT 2015<br>This document and the information it contains are 3M property and may not be reproduced or further distributed without 3M permission, or used or disclosed other than for 3M authorized purposes. All rights reserved. |              |   |              |              |
|                           |  |  |  | 3M Center<br>St. Paul,<br>MN 55144  |              |   |              |              |
|                           |  |  |  | CAGE NUMBER   |              | DRAWING NO.   |              | REV.         |
|                           |  |  |  | D 78-5100-2651-7  |              | A   |              | A            |
|                           |  |  |  | SHT 1 OF 4  |              |   |              |              |

3M™ HIGH ROUTABILITY INTERNAL MINISAS HD CABLE ASSEMBLIES, 8U SERIES

RIGHT-ANGLE - TO - RIGHT-ANGLE INTERNAL MINISAS HD CABLE ASSEMBLY

WIRING DIAGRAMS

3M PART NUMBERING SCHEME

8US4 - XXX 39 - 00 - X.XX

"LENGTH" IN METERS

"LENGTH" TOLERANCE

±10MM FOR "LENGTH" 0.5 METER MAX  
±15MM FOR "LENGTH" MORE THAN 0.5 METER

TABLE 1: DESCRIPTION FOR "XXX"

| XXX | PINOUT   | BRAIDED SLEEVE |
|-----|--|----------------|
| AA1 | STD MINISAS HD 4i WITH SIDEBANDS (SEE TABLE 2) | YES            |
| AA2 | STD MINISAS HD 4i WITH SIDEBANDS (SEE TABLE 2) | NO             |
| CB1 | MINISAS HD 4i WITHOUT SIDEBANDS (SEE TABLE 3)  | YES            |
| CB2 | MINISAS HD 4i WITHOUT SIDEBANDS (SEE TABLE 3)  | NO             |

NOTES

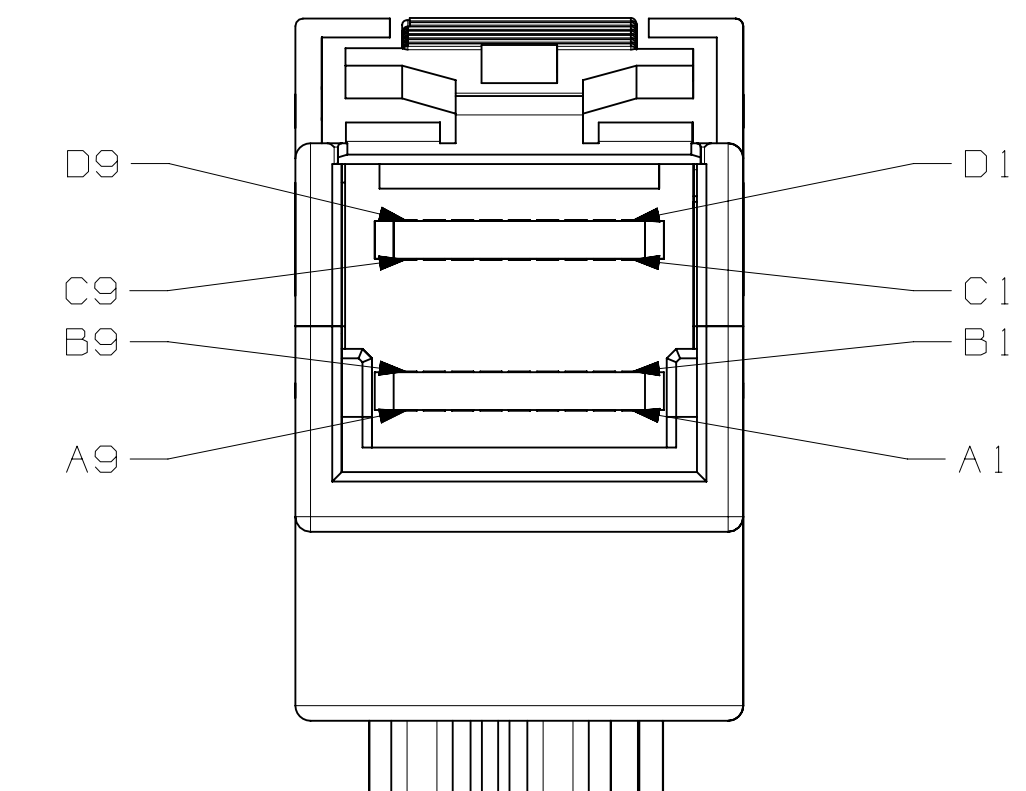
- MATERIALS:
  - HOUSING: THERMOPLASTIC
  - INNERMOULD: THERMOPLASTIC
  - 3M™ TWIN AXIAL CABLE:
    - CONDUCTORS: SOLID COPPER, Ag-PLATED SIGNALS
    - INSULATOR: POLYOLEFIN
    - SHIELDING: ALUMINIUM LAYER
  - SIDEBAND CABLE:
    - CONDUCTORS: SOLID COPPER
    - INSULATOR: THERMOPLASTIC ELASTOMER
  - PCB: LOW DIELECTRIC CONSTANT MATERIAL FOR HIGH SPEED APPLICATION
  - BRAIDED SLEEVE: THERMOPLASTIC
- ROHS COMPLIANT. SEE REGULATORY INFORMATION APPENDIX IN "ROHS COMPLIANCE" SECTION AT WWW.3M.COM/INTERCONNECT (E1 & C1 APPLY)
- UNLESS OTHERWISE NOTED, REFERENCES TO INDUSTRY SPECIFICATIONS ARE INTENDED TO INDICATE SUBSTANTIAL COMPLIANCE TO THE MATERIAL ELEMENTS OF THE SPECIFICATION. SUCH REFERENCES SHOULD NOT BE CONSTRUED AS A GUARANTEE OF COMPLIANCE TO ALL REQUIREMENTS IN A GIVEN SPECIFICATION.
- PRODUCT SPECIFICATION: 78-5102-0200-1

| PINOUT 1 |            |   |            |          |
|----------|------------|---|------------|----------|
| POSITION | SYMBOL     |   | SYMBOL     | POSITION |
| D9       | GROUND     | — | GROUND     | B9       |
| D8       | Tx2-       | → | Rx2-       | B8       |
| D7       | Tx2+       | → | Rx2+       | B7       |
| D6       | GROUND     | — | GROUND     | B6       |
| D5       | Tx0-       | → | Rx0-       | B5       |
| D4       | Tx0+       | → | Rx0+       | B4       |
| D3       | GROUND     | — | GROUND     | B3       |
| D2       | SIDEBAND 6 | ↔ | SIDEBAND 5 | D1       |
| D1       | SIDEBAND 5 | ↔ | SIDEBAND 6 | D2       |
| C1       | SIDEBAND 4 | ↔ | SIDEBAND 2 | C2       |
| C2       | SIDEBAND 2 | ↔ | SIDEBAND 4 | C1       |
| C3       | GROUND     | — | GROUND     | A3       |
| C4       | Tx1+       | → | Rx1+       | A4       |
| C5       | Tx1-       | → | Rx1-       | A5       |
| C6       | GROUND     | — | GROUND     | A6       |
| C7       | Tx3+       | → | Rx3+       | A7       |
| C8       | Tx3-       | → | Rx3-       | A8       |
| C9       | GROUND     | — | GROUND     | A9       |
| B9       | GROUND     | — | GROUND     | D9       |
| B8       | Rx2-       | ← | Tx2-       | D8       |
| B7       | Rx2+       | ← | Tx2+       | D7       |
| B6       | GROUND     | — | GROUND     | D6       |
| B5       | Rx0-       | ← | Tx0-       | D5       |
| B4       | Rx0+       | ← | Tx0+       | D4       |
| B3       | GROUND     | — | GROUND     | D3       |
| B2       | SIDEBAND 1 | ↔ | SIDEBAND 3 | B1       |
| B1       | SIDEBAND 3 | ↔ | SIDEBAND 1 | B2       |
| A1       | SIDEBAND 7 | ↔ | SIDEBAND 0 | A2       |
| A2       | SIDEBAND 0 | ↔ | SIDEBAND 7 | A1       |
| A3       | GROUND     | — | GROUND     | C3       |
| A4       | Rx1+       | ← | Tx1+       | C4       |
| A5       | Rx1-       | ← | Tx1-       | C5       |
| A6       | GROUND     | — | GROUND     | C6       |
| A7       | Rx3+       | ← | Tx3+       | C7       |
| A8       | Rx3-       | ← | Tx3-       | C8       |
| A9       | GROUND     | — | GROUND     | C9       |

TABLE 2: WITH SIDEBANDS

| PINOUT 2 |        |   |        |          |
|----------|--------|---|--------|----------|
| POSITION | SYMBOL |   | SYMBOL | POSITION |
| D9       | GROUND | — | GROUND | B9       |
| D8       | Tx2-   | → | Rx2-   | B8       |
| D7       | Tx2+   | → | Rx2+   | B7       |
| D6       | GROUND | — | GROUND | B6       |
| D5       | Tx0-   | → | Rx0-   | B5       |
| D4       | Tx0+   | → | Rx0+   | B4       |
| D3       | GROUND | — | GROUND | B3       |
| C3       | GROUND | — | GROUND | A3       |
| C4       | Tx1+   | → | Rx1+   | A4       |
| C5       | Tx1-   | → | Rx1-   | A5       |
| C6       | GROUND | — | GROUND | A6       |
| C7       | Tx3+   | → | Rx3+   | A7       |
| C8       | Tx3-   | → | Rx3-   | A8       |
| C9       | GROUND | — | GROUND | A9       |
| B9       | GROUND | — | GROUND | D9       |
| B8       | Rx2-   | ← | Tx2-   | D8       |
| B7       | Rx2+   | ← | Tx2+   | D7       |
| B6       | GROUND | — | GROUND | D6       |
| B5       | Rx0-   | ← | Tx0-   | D5       |
| B4       | Rx0+   | ← | Tx0+   | D4       |
| B3       | GROUND | — | GROUND | D3       |
| A3       | GROUND | — | GROUND | C3       |
| A4       | Rx1+   | ← | Tx1+   | C4       |
| A5       | Rx1-   | ← | Tx1-   | C5       |
| A6       | GROUND | — | GROUND | C6       |
| A7       | Rx3+   | ← | Tx3+   | C7       |
| A8       | Rx3-   | ← | Tx3-   | C8       |
| A9       | GROUND | — | GROUND | C9       |

TABLE 3: WITHOUT SIDEBANDS

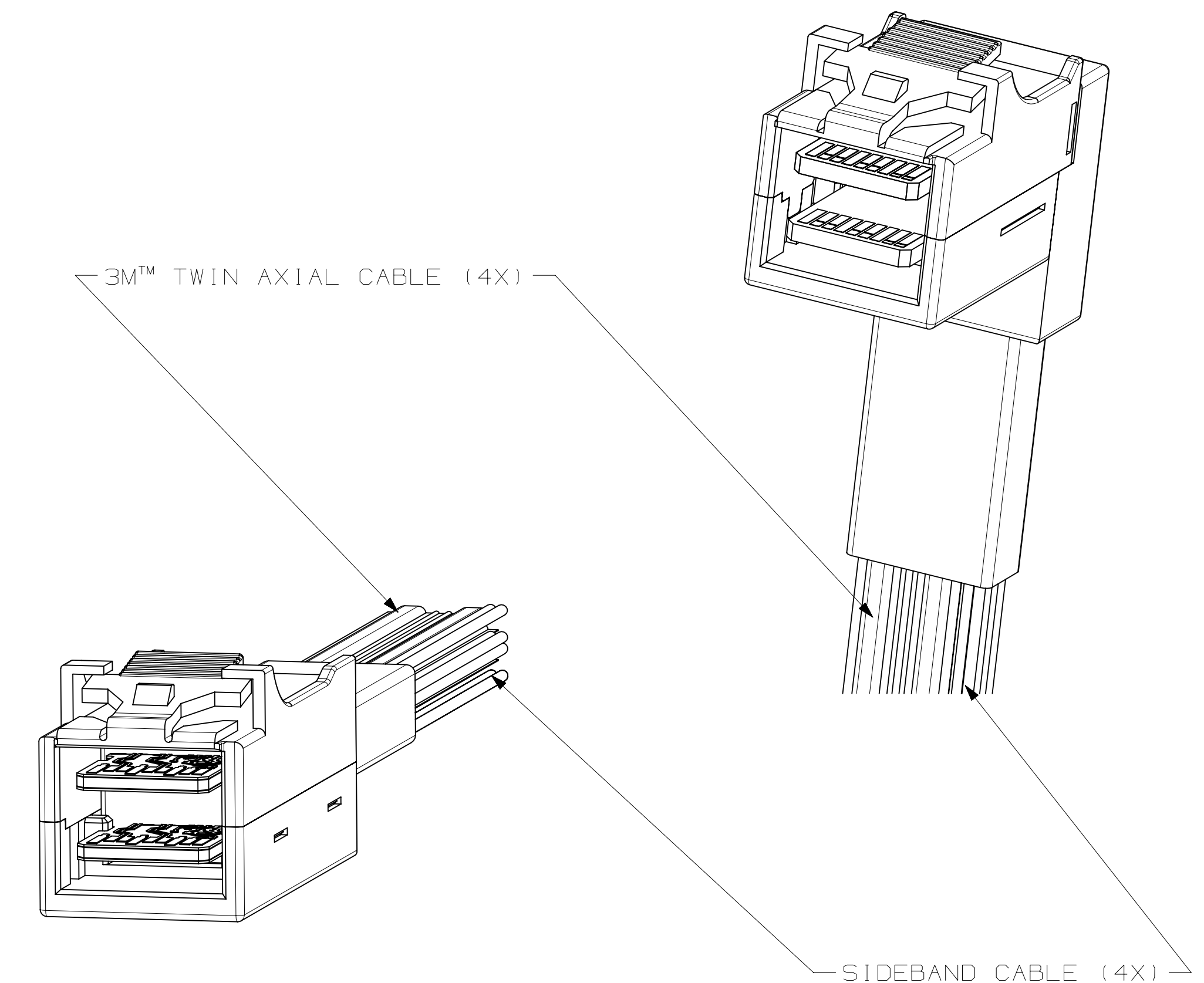
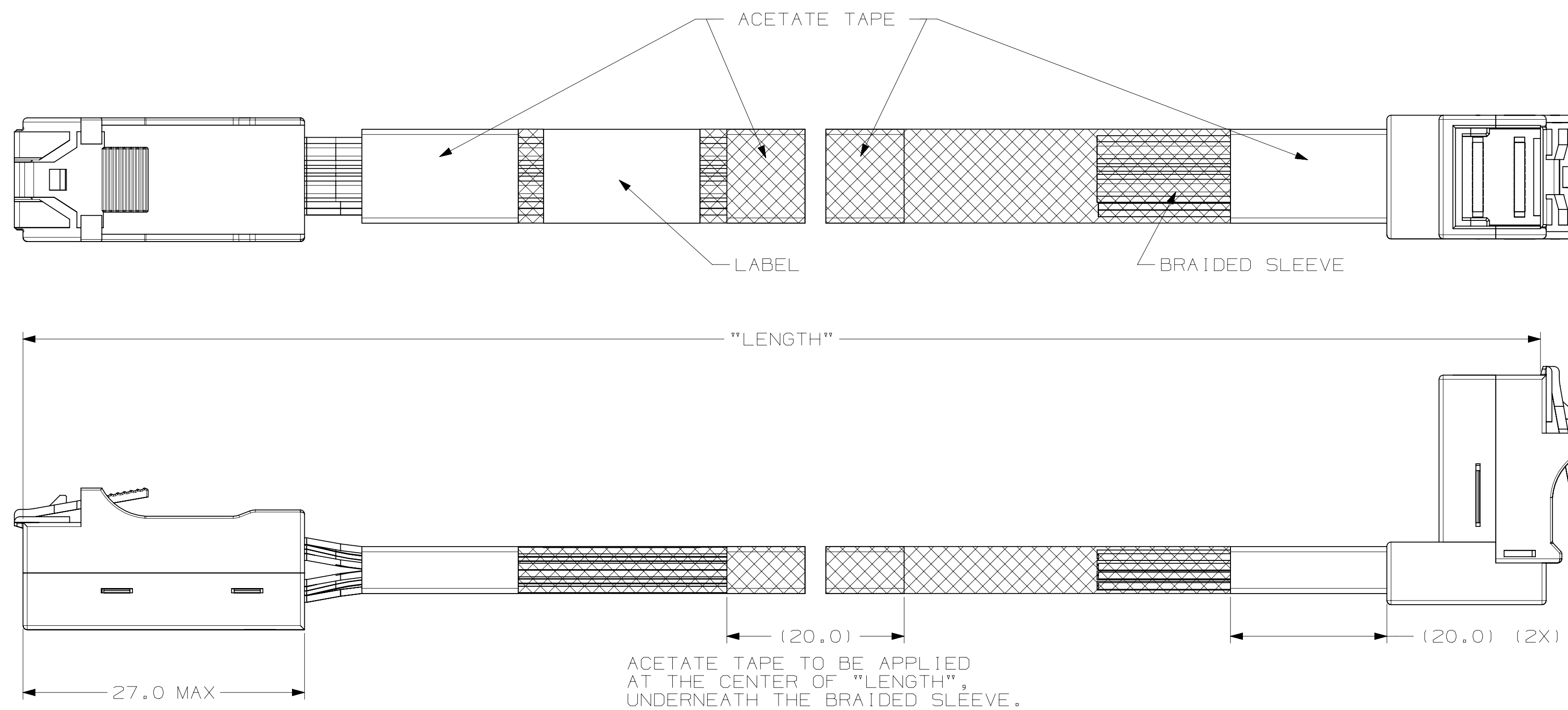


|                           |                                 |                            |              |   |              |               |
|---------------------------|---------------------------------|----------------------------|--------------|---|--------------|---------------|
| DESIGN REFERENCE          | NEXT ASSEMBLY                   | REV                        | ECO          | ISSUE DATE AND DESCRIPTION  | DRFT         | CHKD          |
|                           |                                 |                            |              |   |              |               |
| DISTRIBUTION CODES        |                                 | DRY                        | KOK HOE LEE  | DATE  | OCT 17, 2014 | MFG           |
|                           |                                 | CHKD                       | YUNLONG QIAO | DATE  | OCT 17, 2014 | APPR          |
|                           |                                 |                            |              | DATE  | OCT 17, 2014 | SAJJIT BANDHU |
| DIVISION                  |                                 | DIVISION CODE              |              | © 3M COPYR [GHT] 2015<br>This document and the information it contains are 3M property and may not be reproduced or further distributed without 3M permission, or used or disclosed other than for 3M authorized purposes. All rights reserved. |              |               |
| DO NOT SCALE DRAWING      | SCALE 1/1                       | TOLERANCES EXCEPT AS NOTED |              | INCHES<br>.00 ±<br>.000 ±<br>.0000 ±  |              |               |
| THIRD ANGLE PROJECTION    | INTERPRET PER ASME Y14.5 - 1994 | MILLIMETERS                |              | 0 ±.1<br>.0 ±.05<br>.000 ±.005  |              |               |
| MAX SURFACE ROUGHNESS 125 | ALL SURFACES                    | ANGLES ±1°                 |              | CAGE NUMBER D78-5100-2651-7<br>MODEL  |              |               |
|                           | MARKED ONLY                     |                            |              | REV. A<br>SHT 2 OF 4  |              |               |

78-5100-2651-7  
DRAWING NUMBER  
REVISION

3M™ HIGH ROUTABILITY INTERNAL MINISAS HD CABLE ASSEMBLIES, 8U SERIES

RIGHT-ANGLE - TO - STANDARD INTERNAL MINISAS HD CABLE ASSEMBLY



NOTES

- FOR DETAILS ON RIGHT-ANGLE INTERNAL MINISAS HD CABLE ASSEMBLY, REFER TO SHEET 1 AND 2.
- FOR DETAILS ON STANDARD INTERNAL MINISAS HD CABLE ASSEMBLY, REFER TO DRAWING NO. 78-5100-2555-0.

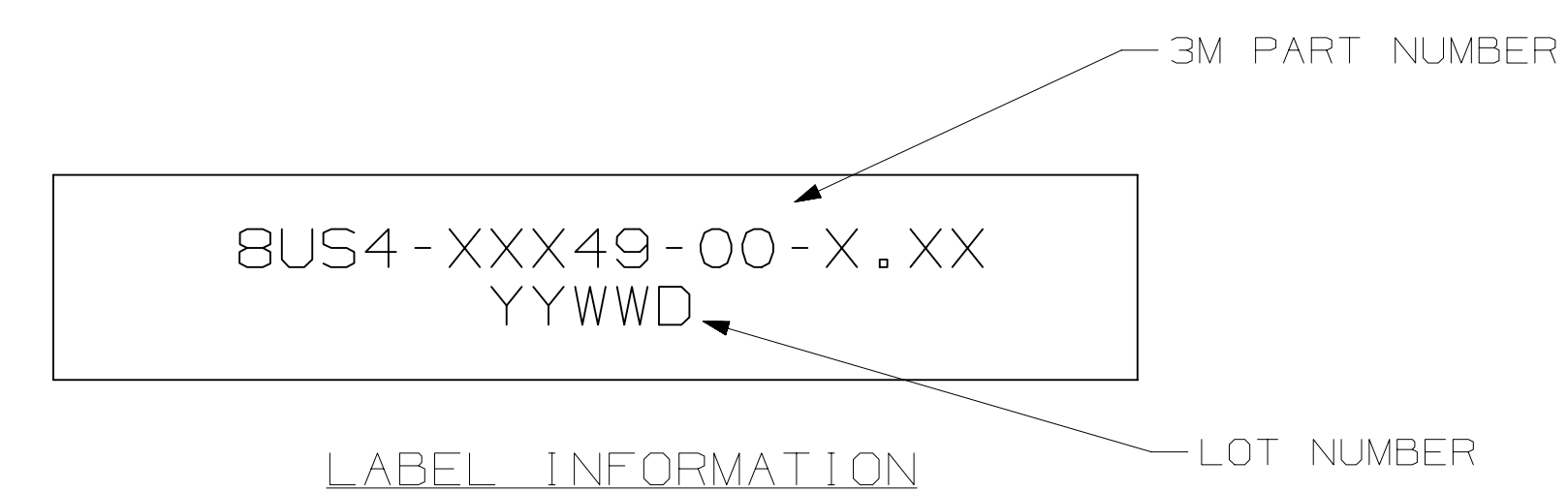
3M PART NUMBERING SCHEME

BUS4 - XXX 49 - 00 - X.XX

"LENGTH" IN METERS  
 "LENGTH" TOLERANCE  
 ±10MM FOR "LENGTH" 0.5 METER MAX  
 ±15MM FOR "LENGTH" MORE THAN 0.5 METER

TABLE 4: DESCRIPTION FOR "XXX"

| XXX | PINOUT   | BRAIDED SLEEVE |
|-----|--|----------------|
| AA1 | STD MINISAS HD 4i WITH SIDEBANDS (SEE TABLE 2) | YES            |
| AA2 | STD MINISAS HD 4i WITH SIDEBANDS (SEE TABLE 2) | NO             |
| CB1 | MINISAS HD 4i WITHOUT SIDEBANDS (SEE TABLE 3)  | YES            |
| CB2 | MINISAS HD 4i WITHOUT SIDEBANDS (SEE TABLE 3)  | NO             |



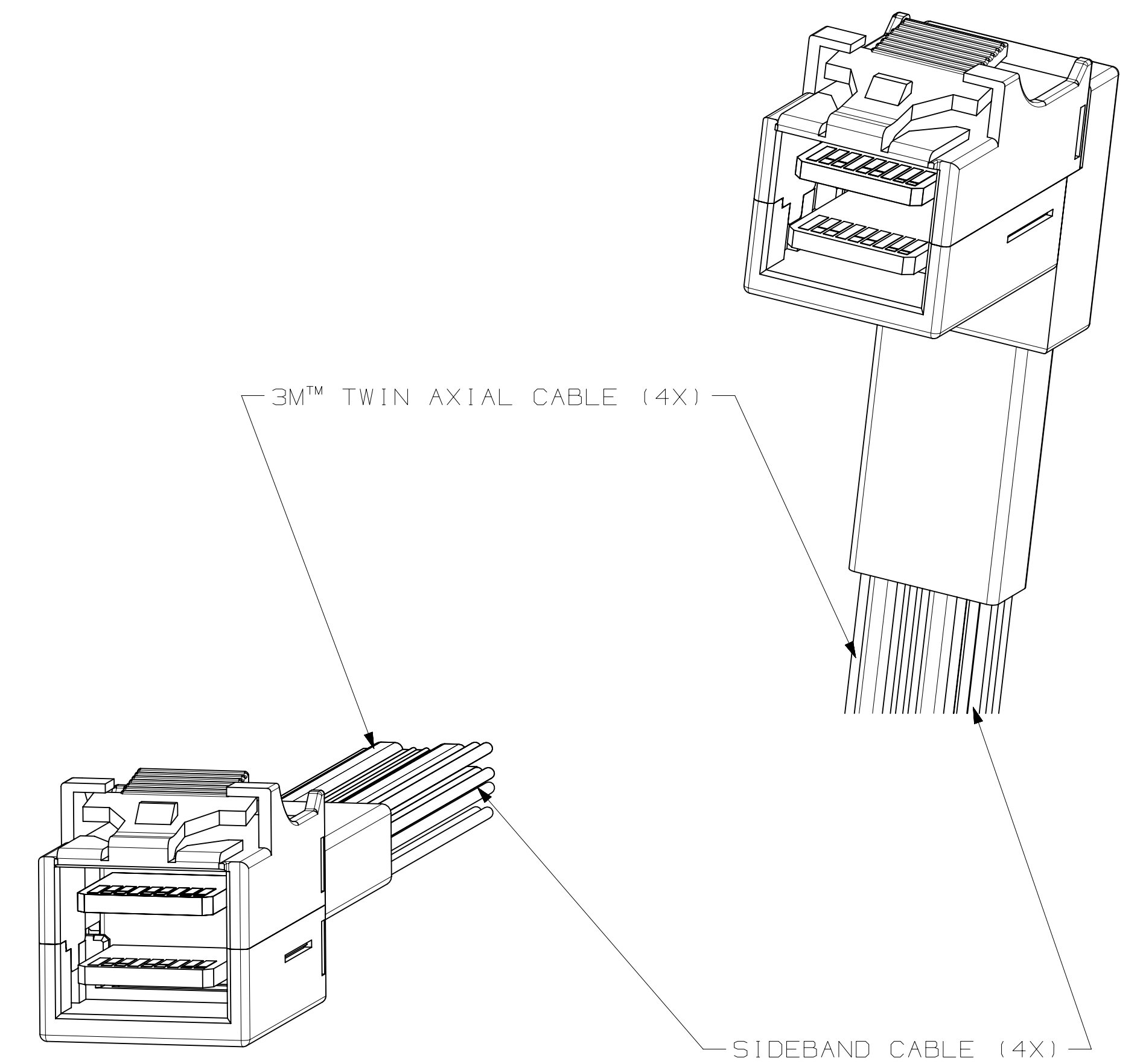
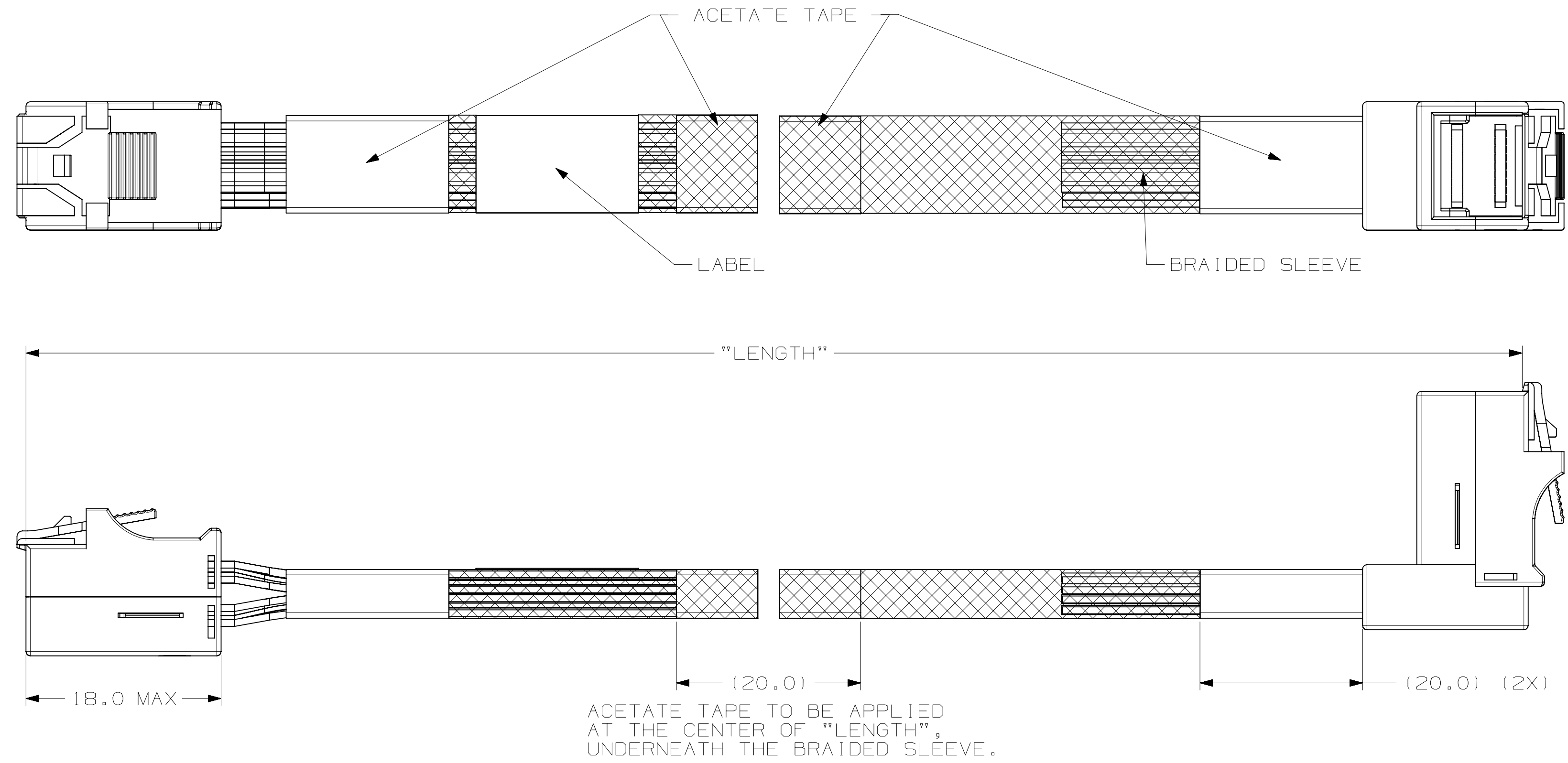
|                                 |               |                 |              |  |              |               |
|---------------------------------|---------------|-----------------|--------------|--|--------------|---------------|
| DESIGN REFERENCE                | NEXT ASSEMBLY | REV             | ECO          | ISSUE DATE AND DESCRIPTION                               | DRFT         | CHKD          |
|                                 |               |                 |              |  |              |               |
| DISTRIBUTION CODES              |               | DRFT            | KOK HOE LEE  | DATE   | OCT 17, 2014 | MFG DATE      |
|                                 |               | CHKD            | YUNLONG QIAO | DATE   | OCT 17, 2014 | APPR DATE     |
|                                 |               |                 |              |  |              | SAJJIT BANDHU |
|                                 |               |                 |              |  |              |               |
| DO NOT SCALE DRAWING            |               | SCALE 1/1       |              | TOLERANCES EXCEPT AS NOTED                               |              |               |
| THIRD ANGLE PROJECTION          |               | INCHES          |              | MILLIMETERS  |              |               |
| INTERPRET PER ASME Y14.5 - 1994 |               | .00 ±           |              | 0 ± .1   |              |               |
| MAX SURFACE ROUGHNESS 125       |               | .00 ± .05       |              | .00 ± .05  |              |               |
| ALL SURFACES MARKED ONLY        |               | .000 ± .005     |              | .000 ± .005  |              |               |
|                                 |               | ANGLES ±1°      |              |  |              |               |
|                                 |               |                 |              | TITLE  |              |               |
|                                 |               |                 |              | INTERNAL MINISAS HD CABLE ASSEMBLY RIGHT-ANGLE CONNECTOR |              |               |
|                                 |               | CAGE NUMBER     |              | DRAWING NO.  |              | REV.          |
|                                 |               | D78-5100-2651-7 |              | D78-5100-2651-7  |              | A             |
|                                 |               | MODEL           |              | DET  |              | SHT 3 OF 4    |
|                                 |               |                 |              | YES NO   |              |               |

78-5100-2651-7  
DRAWING NUMBER

A

3M™ HIGH ROUTABILITY INTERNAL MINISAS HD CABLE ASSEMBLIES, 8U SERIES

RIGHT-ANGLE - TO - SHORTENED INTERNAL MINISAS HD CABLE ASSEMBLY



NOTES

- FOR DETAILS ON RIGHT-ANGLE INTERNAL MINISAS HD CABLE ASSEMBLY, REFER TO SHEET 1 AND 2.
- FOR DETAILS ON SHORTENED INTERNAL MINISAS HD CABLE ASSEMBLY, REFER TO DRAWING NO. 78-5100-2658-2.

3M PART NUMBERING SCHEME

8US4 - XXX 59 - 00 - X.XX

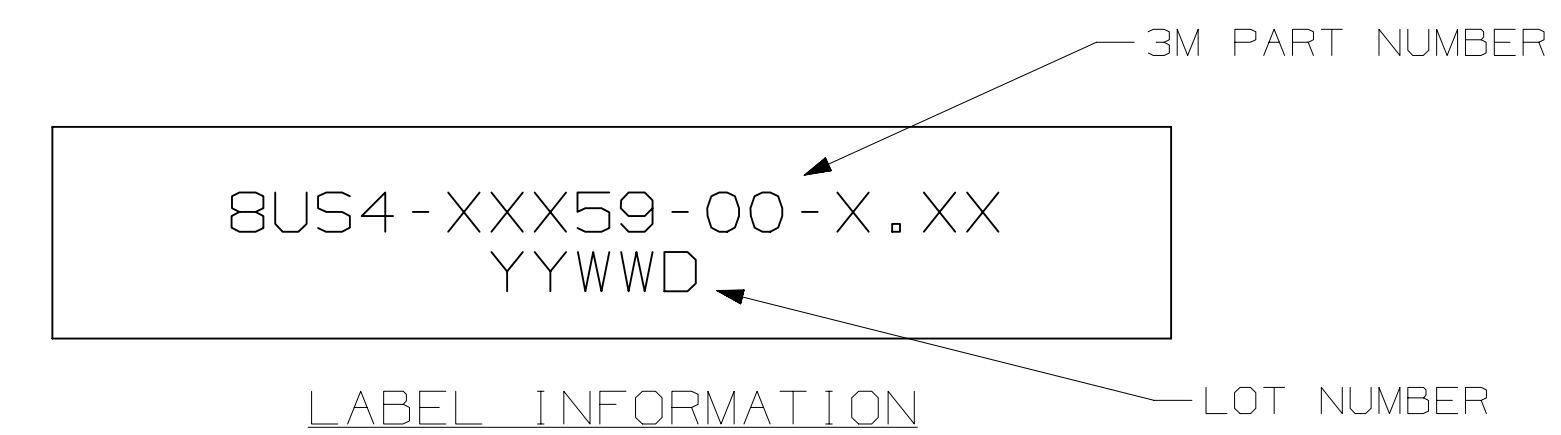
"LENGTH" IN METERS

"LENGTH" TOLERANCE

±10MM FOR "LENGTH" 0.5 METER MAX  
 ±15MM FOR "LENGTH" MORE THAN 0.5 METER

TABLE 5: DESCRIPTION FOR "XXX"

| XXX | PINOUT   | BRAIDED SLEEVE |
|-----|--|----------------|
| AA1 | STD MINISAS HD 4i WITH SIDEBANDS (SEE TABLE 2) | YES            |
| AA2 | STD MINISAS HD 4i WITH SIDEBANDS (SEE TABLE 2) | NO             |
| CB1 | MINISAS HD 4i WITHOUT SIDEBANDS (SEE TABLE 3)  | YES            |
| CB2 | MINISAS HD 4i WITHOUT SIDEBANDS (SEE TABLE 3)  | NO             |



|                                 |              |  |                            |                   |
|---------------------------------|--------------|--|----------------------------|-------------------|
| REV                             | ECO          | ISSUE DATE AND DESCRIPTION                               | DRFT                       | CHKD              |
|                                 |              |  |                            |                   |
| DRW                             | KOK HOE LEE  | DATE OCT 17, 2014  | MFG                        | DATE              |
| CHKD                            | YUNLONG QIAO | DATE OCT 17, 2014  | APPR                       | DATE OCT 17, 2014 |
| DIVISION                        |              | DISTRIBUTION CODES                                       |                            |                   |
| DO NOT SCALE DRAWING            |              | SCALE 1/1  | TOLERANCES EXCEPT AS NOTED |                   |
| THIRD ANGLE PROJECTION          |              | INCHES   |                            |                   |
| INTERPRET PER ASME Y14.5 - 1994 |              | MILLIMETERS  |                            |                   |
| MAX SURFACE ROUGHNESS 125       |              | ALL SURFACES MARKED ONLY                                 |                            |                   |
| ANGLES ±1°                      |              | 3M Center St. Paul, MN 55144                             |                            |                   |
| TITLE                           |              | INTERNAL MINISAS HD CABLE ASSEMBLY RIGHT-ANGLE CONNECTOR |                            |                   |
| CAGE NUMBER                     | SIZE         | DRAWING NO.  | REV.                       |                   |
| D                               |              | 78-5100-2651-7   | A                          |                   |
| MODEL                           | DET          |  | SHT 4 OF 4                 |                   |

78-5100-2651-7  
DRAWING NUMBER  
A REVISION

Компания «Life Electronics» занимается поставками электронных компонентов импортного и отечественного производства от производителей и со складов крупных дистрибьюторов Европы, Америки и Азии.

С конца 2013 года компания активно расширяет линейку поставок компонентов по направлению коаксиальный кабель, кварцевые генераторы и конденсаторы (керамические, пленочные, электролитические), за счёт заключения дистрибьюторских договоров

Мы предлагаем:

- Конкурентоспособные цены и скидки постоянным клиентам.
- Специальные условия для постоянных клиентов.
- Подбор аналогов.
- Поставку компонентов в любых объемах, удовлетворяющих вашим потребностям.
- Приемлемые сроки поставки, возможна ускоренная поставка.
- Доставку товара в любую точку России и стран СНГ.
- Комплексную поставку.
- Работу по проектам и поставку образцов.
- Формирование склада под заказчика.
- Сертификаты соответствия на поставляемую продукцию (по желанию клиента).
- Тестирование поставляемой продукции.
- Поставку компонентов, требующих военную и космическую приемку.
- Входной контроль качества.
- Наличие сертификата ISO.

В составе нашей компании организован Конструкторский отдел, призванный помогать разработчикам, и инженерам.

Конструкторский отдел помогает осуществить:

- Регистрацию проекта у производителя компонентов.
- Техническую поддержку проекта.
- Защиту от снятия компонента с производства.
- Оценку стоимости проекта по компонентам.
- Изготовление тестовой платы монтаж и пусконаладочные работы.



Тел: +7 (812) 336 43 04 (многоканальный)

Email: [org@lifeelectronics.ru](mailto:org@lifeelectronics.ru)