

AC Line Rated Ceramic Disc Capacitors Class X1, 760 V_{AC}, Class Y1, 500 V_{AC}



ADDITIONAL RESOURCES



QUICK REFERENCE DATA				
DESCRIPTION	VALUE			
Ceramic Class	1		2	
Ceramic Dielectric	U2J	U2J	Y5S, Y5U, Y5V	Y5S, Y5U, Y5V
Voltage (V _{AC})	500	760	500	760
Min. Capacitance (pF)	10		33	
Max. Capacitance (pF)	22		4700	
Mounting	Radial			

OPERATING TEMPERATURE RANGE

-40 °C to +125 °C

TEMPERATURE CHARACTERISTICS

Class 1: N750 (U2J)

Class 2: Y5S, Y5U, Y5V

SECTIONAL SPECIFICATIONS

Climatic category (according to EN 60058-1)

Class 1 and class 2: 40/125/21

COATING

According to UL 94 V-0

Epoxy resin, isolating, flame retardant

Halogen-free available

Reinforced insulation

APPROVALS

IEC 60384-14.4

UL 60384-14

DIN EN 60384-14

CSA E60384-1:03, CSA E60384-14:09

CQC11-471112-2009

PACKAGING

Bulk, tape and reel, taped ammopack

FEATURES

- Complying with IEC 60384-14 4th edition
- High reliability
- Vertical (inline) kinked or straight leads
- Singlelayer AC disc safety capacitors
- Material categorization:
for definitions of compliance please see
www.vishay.com/doc?99912



APPLICATIONS

- X1, Y1 according to IEC 60384-14.4
- Across-the-line
- Line by-pass
- Antenna coupling

DESIGN

The capacitor consists of a ceramic disc which is silver plated on both sides. Connection leads are made of tinned copper clad steel having a diameter of 0.6 mm.

The capacitors may be supplied with vertical (inline) kinked leads having a lead spacing of 10.0 mm, or 12.5 mm. Encapsulation is made of flame retardant epoxy resin in accordance with UL 94 V-0.

CAPACITANCE RANGE

10 pF to 4700 pF

RATED VOLTAGE U_R

IEC 60384-14.4:

(X1): 760 V_{AC}, 50 Hz

(Y1): 500 V_{AC}, 50 Hz

1500 V_{DC}

TEST VOLTAGE

Component test (100 %):

4000 V_{AC}, 50 Hz, 2 s

Random sampling test (destructive test):

4000 V_{AC}, 50 Hz, 60 s

Voltage proof of coating (destructive test):

4000 V_{AC}, 50 Hz, 60 s

INSULATION RESISTANCE

≥ 10 000 MΩ

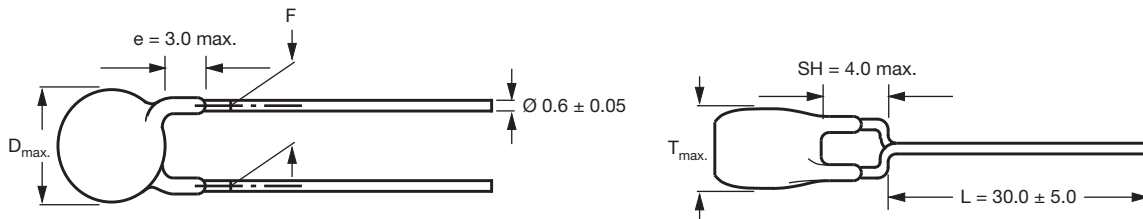
CAPACITANCE TOLERANCE

± 20 % (code M); ± 10 % (code K)

DISSIPATION FACTOR

Class 1: max. 0.5 % (1 MHz)

Class 2: max. 2.5 % (1 kHz)

DIMENSIONS in millimeters


Capacitors with 10.0 mm or 12.5 mm lead spacing

TECHNICAL DATA

CAPACITANCE C (pF)	CAPACITANCE TOLERANCE (%)	BODY DIAMETER $D_{max.}$ (mm)	BODY THICKNESS $T_{max.}$ (mm)	LEAD SPACING F (mm) ± 1 mm	PART NUMBER
					MISSING DIGITS SEE ORDERING CODE BELOW
U2J (N750)					
10	± 10	8.0	5.0	10.0 or 12.5	VY1100K31U2JQ6###
15					VY1150K31U2JQ6###
22					VY1220K31U2JQ6###
Y5S (2C3)					
33	± 10	8.0	5.0	10.0 or 12.5	VY1330K31Y5SQ6###
47					VY1470K31Y5SQ6###
68					VY1680K31Y5SQ6###
100					VY1101K31Y5SQ6###
150					VY1151K31Y5SQ6###
220					VY1221K31Y5SQ6###
330					VY1331K31Y5SQ6###
Y5U (2E3)					
470	$\pm 20^{(1)}$	8.0	5.0	10.0 or 12.5	VY1471#31Y5UQ6###
680					VY1681#31Y5UQ6###
1000		9.0			VY1102#35Y5UQ6###
1500		10.5			VY1152#41Y5UQ6###
2200		12.0			VY1222#47Y5UQ6###
3300		15.0			VY1332#59Y5UQ6###
3900		15.5			VY1392#61Y5UQ6###
4700		16.0			VY1472#63Y5UQ6###
Y5V (2F3) MINI SIZE SERIES					
1000	± 20	7.5	5.5	10.0 or 12.5	VY1102M29Y5VQ6###
1500		8.5			VY1152M33Y5VQ6###
2200		9.5			VY1222M37Y5VQ6###
3300		11.0			VY1332M43Y5VQ6###
3900		12.0			VY1392M47Y5VQ6###
4700		13.0			VY1472M51Y5VQ6###

Notes

- Straight leads available on request
- Coating extension DR valid for straight leads only

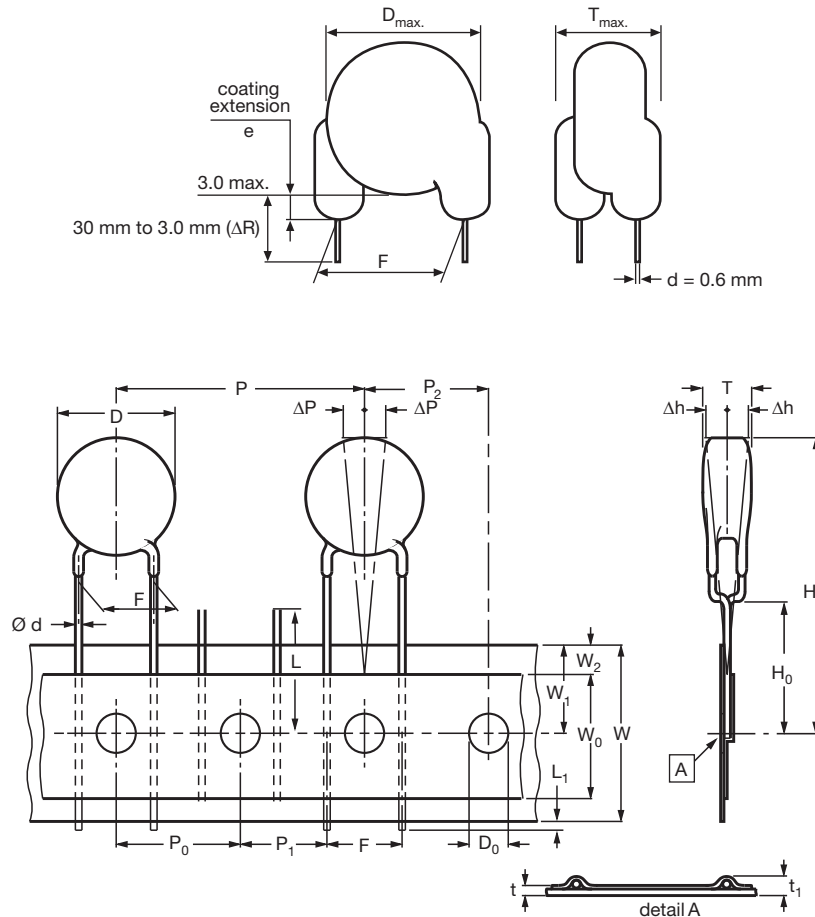
⁽¹⁾ ± 10 % available on request

ORDERING CODE										
#	7 th digit	Capacitance tolerance		± 10 % = K, ± 20 % = M						
###	15 th to 17 th digit	Lead configuration		Available configurations see below						
Example	VY1	101	K	31	Y5S	Q	6	T	V	0
	Series	Capacitance value	Tolerance code	Size code	Temperature coefficient	Rated voltage	Lead wire diameter	Packaging / lead length	Lead style	Lead spacing
						Q = X1/Y1 500 V (AC)		3 = bulk T = tape and reel U = ammpack	L = straight V = inline kinked	0 = 10.0 X = 12.5

PACKAGING				
SIZE CODE	BODY DIAMETER D _{max.} (mm)	PACKAGING QUANTITIES		
		BULK	REEL	AMMO
31 to 47	12.0	1000	500	750
51 to 63	16.0	500	500	750

Note

- The capacitors are supplied in bulk packaging (cardboard boxes), in tape on reel or in ammpack

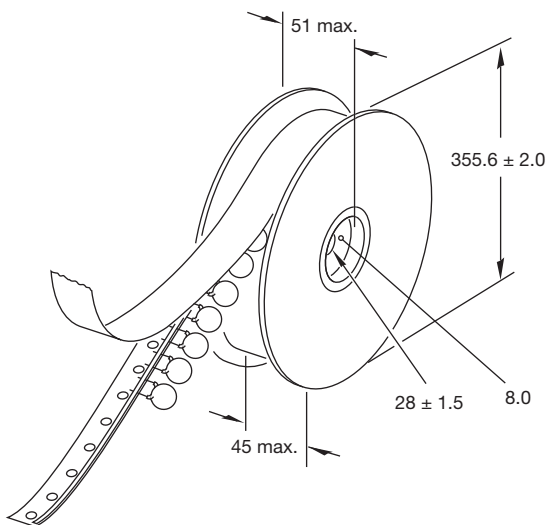
STRAIGHT LEADS


The sprocket hole pitch (P_0) is 12.7 mm for lead spacing 10.0 mm and 12.5 mm

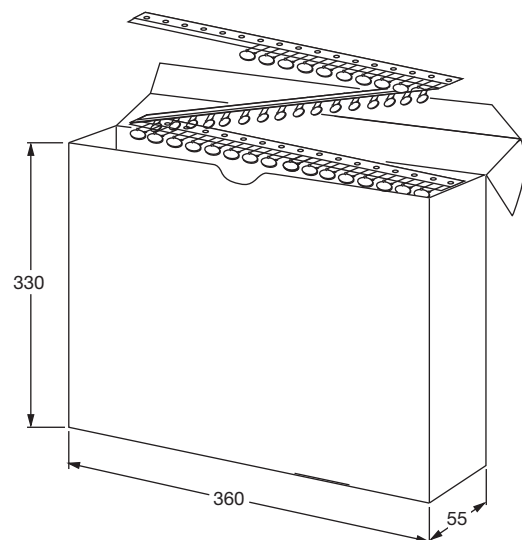
DIMENSIONS OF TAPE		
SYMBOL	PARAMETER	DIMENSIONS (mm)
D ⁽¹⁾	Body diameter	16.0 max.
d	Lead diameter	0.6 ± 0.05
P	Pitch of component	25.4 ± 1
P ₀ ⁽²⁾	Pitch of sprocket hole	12.7 ± 0.3
P ₁ ⁽³⁾	Distance, hole center to lead	7.7 or 6.4 ± 1.0
P ₂ ⁽³⁾	Distance, hole to center of component	12.7 ± 1.5
F	Lead spacing	10.0 or 12.5 + 0.6/- 0.4
Δh	Average deviation across tape	± 1.0 max.
ΔP	Average deviation in direction of reeling	± 1.0 max.
W	Carrier tape width	18.0 + 1/- 0.5
W ₀	Hold-down tape width	5.0 min.
W ₁	Position of sprocket hole	9.0 + 0.75/- 0.5
W ₂	Distance of hold-down tape	3.0 max.
H ₁	Maximum component height	40.0
H ₀	Height to seating plane (for kinked leads)	16.0 ± 0.5
H ₀	Height to seating plane (for straight leads)	20.0 ± 0.5
L	Length of cut leads	11.0 max.
L ₁	Length of lead protrusion	1.0 max.
D ₀	Diameter of sprocket hole	4.0 ± 0.2
t	Total tape thickness	0.9 max.
t ₁	Total tape thickness with lead wire	t + d

Notes

- (1) See "Technical Data" table
 (2) Cumulative pitch error: ± 1 mm/20 pitches
 (3) Obliquity maximum 3°

REEL AND TAPE DATA in millimeters


Reel with capacitors on tape



Ammopack with capacitors on tape

APPROVALS

IEC 60384-14.4 - Safety tests
 This approval together with CB test certificate substitutes all national approvals.

CB Certificate

Y1-capacitor: CB test certificate:	US-26561-UL	10 pF to 4.7 nF	500 V _{AC}
X1-capacitor: CB test certificate:	US-26561-UL	10 pF to 4.7 nF	760 V _{AC}


VDE

Y1-capacitor: VDE marks approval:	40012673	10 pF to 4.7 nF	500 V _{AC}
X1-capacitor: VDE marks approval:	40012673	10 pF to 4.7 nF	760 V _{AC}



DIN EN 60384-14 VDE 0565-1-1:2006-04 - Safety tests

Underwriters Laboratories Inc./Canadian Standards Association

Y1-capacitor: CSA test certificate:	E183844	10 pF to 4.7 nF	500 V _{AC}
X1-capacitor: CSA test certificate:	E183844	10 pF to 4.7 nF	760 V _{AC}



UL 60384-14, CSA E60384-1:03, CSA E60384-14:09

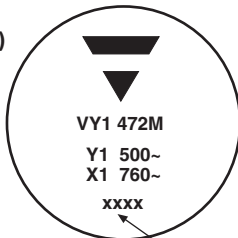
Fixed capacitors for electromagnetic interference suppression and connection to the supply mains.

CQC

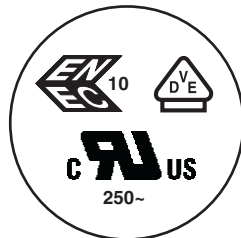
Y1-capacitor: CQC test certificate:	CQC05001015032	10 pF to 4.7 nF	500 V _{AC}
X1-capacitor: CQC test certificate:	CQC05001015032	10 pF to 4.7 nF	760 V _{AC}


MARKING

Sample
(2 sides)



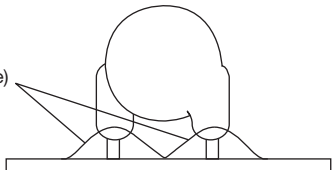
4 digit date code
(year/week; add suffix "V" for mini size series)

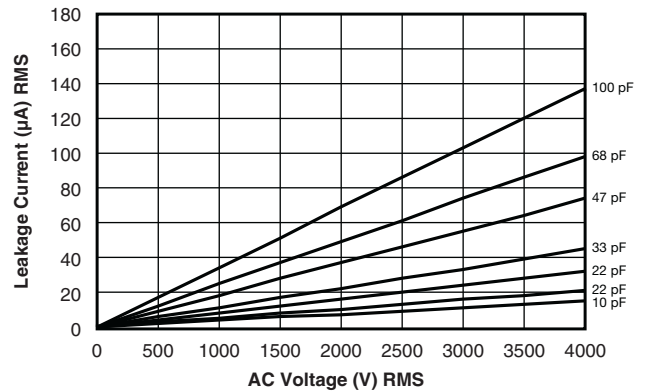
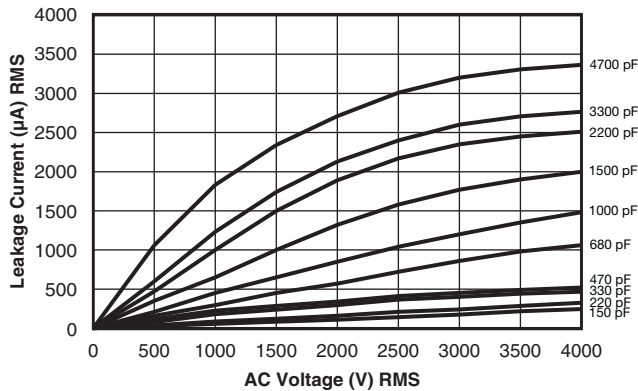
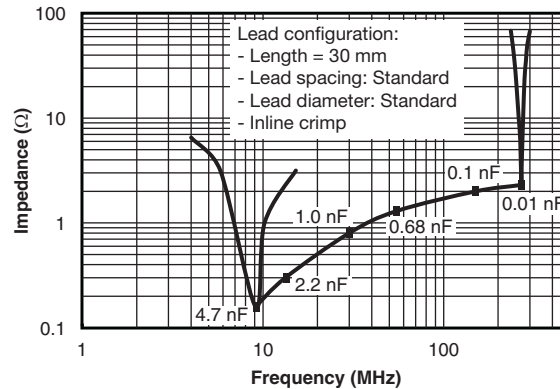


PN: VY1471M31Y5UQ6XT0	Lot1: 14Z551S12	DC1: 0601
QTY: 225	Lot2:	DC2:
PO:	Batch: 200601CN	
SO:	Region: 9520	SL: 0010
	Ser.No: 0601H69340	



1/1

PERFORMANCE		
TEST	TEST CONDITION	TEST LIMITS
Visual and mechanical inspection	Optical inspection, dimensions measured with caliper	No visible damage, marking legible
Capacitance (C)	25 °C ± 3 °C , relative humidity (RH) ≤ 75 %, 1.0 V _{RMS} ± 0.2 V _{RMS} at 1 kHz for Y5U and Y5S, and 1 MHz for U2J	Capacitance within specified tolerance
Dissipation factor (DF)		DF ≤ 0.3 % for U2J and DF ≤ 2.5 % for Y5S and Y5U
Insulation resistance (IR)	Measured within 60 s ± 5 s after charging at 500 V _{DC}	10 000 MΩ min.
Dielectric strength	4000 V _{AC} at 50 Hz/60 Hz for 1 min, 50 mA max.	No failure
Temperature characteristic	RH ≤ 75 %, 1.0 V _{RMS} ± 0.2 V _{RMS} at 1 kHz for Y5U and Y5S, and 1 MHz for U2J	U2J: -750 ppm ± 120 ppm Y5S: ± 22 % Y5U: +22 %/-56 %
Impulse voltage	3 pulses of 8 kV	No failure
Life test	1000 h at 125 °C ± 2 °C, 850 V _{AC} /50 Hz; once every hour 1000 V _{AC} for 0.1 s	External appearance: no visible damage ΔC/C ≤ ± 15 % DF ≤ 0.5 % for U2J and ≤ 5 % for Y5S and Y5U IR ≥ 3000 MΩ Dielectric strength: no failure
Humidity test	500 h at 500 V _{AC} , 50 Hz and 500 h unloaded 40 °C, RH = 90 % to 95%	External appearance: no visible damage ΔC/C ≤ ± 10 % for U2J and ≤ ± 15 % for Y5S and Y5U DF ≤ 0.5 % for U2J and ≤ 5 % for Y5S and Y5U IR ≥ 3000 MΩ Dielectric strength: no failure
Robustness of termination	Pull test: 0.5 kg tensile weight in radial direction for 10 s ± 1 s Bending strength: capacitor body rotated by 90° in both directions	No damage to capacitor body and lead wire
Soldering effect	Immersion of lead wires into 260 °C ± 5 °C solder for 10 s ± 2 s; min. distance from body: 1.5 mm Hand soldering at 400 °C ± 10 °C for 3 s to 4 s; min. distance from body: 1.5 mm	External appearance: no visible damage ΔC/C ≤ ± 5 % for U2J and ≤ ± 10 % for Y5S and Y5U Dielectric strength: no failure
Vibration test	 <p>Solder the capacitor onto test jig (glass epoxy body) and use resin (adhesive) to stick the body to the test jig. The capacitor must be soldered firmly to the supporting lead wire. Vibration change from 10 Hz to 2000 Hz and back to 10 Hz; Total amplitude: 1.5 mm; Acceleration: 100 m/s²; Sweep rate: 1 oct/min, each axis 2 h (6 h in total)</p>	External appearance: no visible damage Capacitance within specified tolerance DF ≤ 0.3 % for U2J and ≤ 2.5 % for Y5S and Y5U IR ≥ 10 000 GΩ

LEAKAGE CURRENT VS. VOLTAGE (Typical)

IMPEDANCE VS. FREQUENCY (Typical)

Note

- The capacitors meet the essential requirements of "EIA 198". Unless stated otherwise all electrical values apply at an ambient temperature of $25\text{ }^{\circ}\text{C} \pm 3\text{ }^{\circ}\text{C}$, at normal atmospheric conditions

RELATED DOCUMENTS

General Information	www.vishay.com/doc?28536
CB Test Certificate	www.vishay.com/doc?22249
VDE Marks Approval	www.vishay.com/doc?22251
UL Test Certificate	www.vishay.com/doc?22250
CQC Test Certificate	www.vishay.com/doc?22248
LTspice® Models	www.vishay.com/doc?28568

SAMPLE KITS

Part Number (VY1 Sample Kit)	VY11-KIT-HF
Link (VY1 Sample Kit)	www.vishay.com/doc?28552
Part Number (VY1...Y5V Sample Kit)	VY1-KIT-MS
Link (VY1...Y5V Sample Kit)	www.vishay.com/doc?28561



Disclaimer

ALL PRODUCT, PRODUCT SPECIFICATIONS AND DATA ARE SUBJECT TO CHANGE WITHOUT NOTICE TO IMPROVE RELIABILITY, FUNCTION OR DESIGN OR OTHERWISE.

Vishay Intertechnology, Inc., its affiliates, agents, and employees, and all persons acting on its or their behalf (collectively, "Vishay"), disclaim any and all liability for any errors, inaccuracies or incompleteness contained in any datasheet or in any other disclosure relating to any product.

Vishay makes no warranty, representation or guarantee regarding the suitability of the products for any particular purpose or the continuing production of any product. To the maximum extent permitted by applicable law, Vishay disclaims (i) any and all liability arising out of the application or use of any product, (ii) any and all liability, including without limitation special, consequential or incidental damages, and (iii) any and all implied warranties, including warranties of fitness for particular purpose, non-infringement and merchantability.

Statements regarding the suitability of products for certain types of applications are based on Vishay's knowledge of typical requirements that are often placed on Vishay products in generic applications. Such statements are not binding statements about the suitability of products for a particular application. It is the customer's responsibility to validate that a particular product with the properties described in the product specification is suitable for use in a particular application. Parameters provided in datasheets and / or specifications may vary in different applications and performance may vary over time. All operating parameters, including typical parameters, must be validated for each customer application by the customer's technical experts. Product specifications do not expand or otherwise modify Vishay's terms and conditions of purchase, including but not limited to the warranty expressed therein.

Except as expressly indicated in writing, Vishay products are not designed for use in medical, life-saving, or life-sustaining applications or for any other application in which the failure of the Vishay product could result in personal injury or death. Customers using or selling Vishay products not expressly indicated for use in such applications do so at their own risk. Please contact authorized Vishay personnel to obtain written terms and conditions regarding products designed for such applications.

No license, express or implied, by estoppel or otherwise, to any intellectual property rights is granted by this document or by any conduct of Vishay. Product names and markings noted herein may be trademarks of their respective owners.

Компания «Life Electronics» занимается поставками электронных компонентов импортного и отечественного производства от производителей и со складов крупных дистрибьюторов Европы, Америки и Азии.

С конца 2013 года компания активно расширяет линейку поставок компонентов по направлению коаксиальный кабель, кварцевые генераторы и конденсаторы (керамические, пленочные, электролитические), за счёт заключения дистрибьюторских договоров

Мы предлагаем:

- Конкурентоспособные цены и скидки постоянным клиентам.
- Специальные условия для постоянных клиентов.
- Подбор аналогов.
- Поставку компонентов в любых объемах, удовлетворяющих вашим потребностям.
- Приемлемые сроки поставки, возможна ускоренная поставка.
- Доставку товара в любую точку России и стран СНГ.
- Комплексную поставку.
- Работу по проектам и поставку образцов.
- Формирование склада под заказчика.
- Сертификаты соответствия на поставляемую продукцию (по желанию клиента).
- Тестирование поставляемой продукции.
- Поставку компонентов, требующих военную и космическую приемку.
- Входной контроль качества.
- Наличие сертификата ISO.

В составе нашей компании организован Конструкторский отдел, призванный помогать разработчикам, и инженерам.

Конструкторский отдел помогает осуществить:

- Регистрацию проекта у производителя компонентов.
- Техническую поддержку проекта.
- Защиту от снятия компонента с производства.
- Оценку стоимости проекта по компонентам.
- Изготовление тестовой платы монтаж и пусконаладочные работы.



Тел: +7 (812) 336 43 04 (многоканальный)

Email: org@lifeelectronics.ru