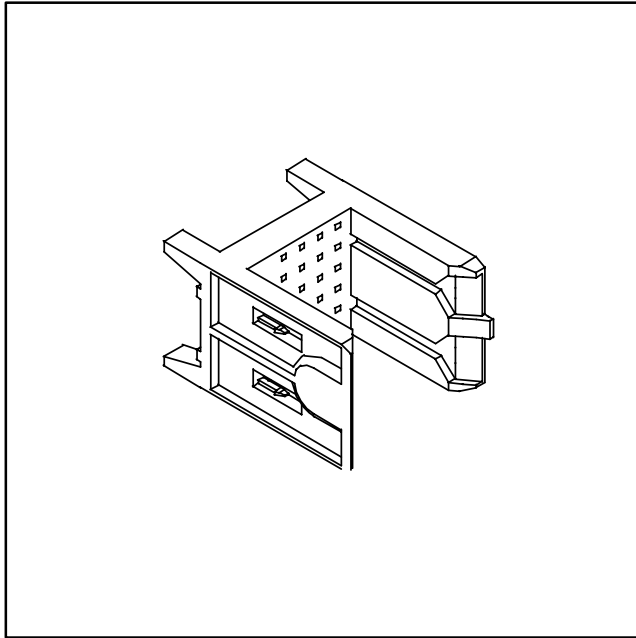


3M™ MetPak™ 2-FB Shroud

2 mm Backplane, Rear Plug

MP2 Series



- Ideal for backplane plug-up/feed-through applications
- Available in three stand-off heights

Date Modified: May 30, 2003

TS-1130-01
Sheet 1 of 3

Physical

Insulation
Material: High Temp LCP
Flammability: UL 94V-0
Color: Beige

Electrical

N/A

Environmental

Temperature Ratings: -55°C to +125°C

MetPak is a trademark of 3M Company.
Futurebus+ is a registered trademark of the Institute of Electrical and Electronic Engineers, Inc. (IEEE).

UL File No: E68080

3M
Interconnect Solutions
<http://www.3M.com/interconnects/>

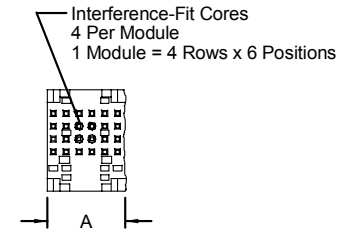
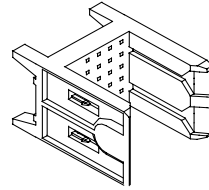
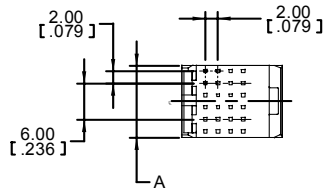
3M is a trademark of 3M Company.
For technical, sales or ordering information call
800-225-5373

3M™ MetPak™ 2-FB Shroud

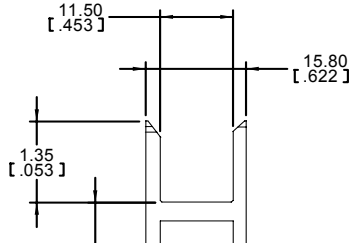
2 mm Backplane, Rear Plug

MP2 Series

4-Row



BOTTOM VIEW



STAND-OFF HEIGHT
SEE CHART



| mm | |
|------------------------|-------------|
| [in.] | |
| Tolerance Unless Noted | |
| 0.0 | 0.00 |
| mm | ±.1 ±.10 |

[] Dimensions for Reference Only

| REAR PLUG UP MATE LENGTHS | | | | | | | | |
|---------------------------|--------------------|---------------------------------|---------------------|---------------------|---------------------|---------------------|---------------------|---------------------|
| METPAK 2-FB SHROUD | METPAK 2-FB HEADER | PRINTED CIRCUIT BOARD THICKNESS | | | | | | |
| | | 1.60mm (.062in.) | 2.40mm (.093in.) | 3.20mm (.125in.) | 4.00mm (.156in.) | 4.80mm (.187in.) | 5.60mm (.218in.) | 6.40mm (.250in.) |
| MP2-HSXXX-41 | MP2-HXXX-4XP5-XXXX | ----- | 7.70mm | 6.90mm | 6.10mm | 5.30mm | ----- | ----- |
| | MP2-HXXX-4XP7-XXXX | ----- | ----- | ----- | ----- | ----- | 7.90mm | 7.10mm |
| MP2-HSXXX-42 | MP2-HXXX-4XP5-XXXX | 7.60mm | 6.80mm | 6.00mm | 5.20mm | 4.40mm | ----- | ----- |
| | MP2-HXXX-4XP7-XXXX | ----- | ----- | ----- | ----- | ----- | 7.00mm | 6.20mm |
| MP2-HSXXX-43 | MP2-HXXX-4XP5-XXXX | 5.10mm | ----- | ----- | ----- | ----- | ----- | ----- |
| | MP2-HXXX-4XP7-XXXX | ----- | 7.70mm | 6.90mm | 6.10mm | 5.30mm | 4.50mm | ----- |

| DESCRIPTION | CONTACT QUANTITY | A | STAND-OFF HEIGHT | | |
|--------------|------------------|----------|------------------|--------------|--------------|
| | | | MP2-HSXXX-41 | MP2-HSXXX-42 | MP2-HSXXX-43 |
| MP2-HS024-4X | 24 | 11.95 mm | 3.50 mm | 4.40 mm | 6.90 mm |
| MP2-HS048-4X | 48 | 23.95 mm | 3.50 mm | 4.40 mm | 6.90 mm |
| MP2-HS072-4X | 72 | 35.95 mm | 3.50 mm | 4.40 mm | 6.90 mm |
| MP2-HS096-4X | 96 | 47.95 mm | 3.50 mm | 4.40 mm | 6.90 mm |
| MP2-HS120-4X | 120 | 59.95 mm | 3.50 mm | 4.40 mm | 6.90 mm |
| MP2-HS144-4X | 144 | 71.95 mm | 3.50 mm | 4.40 mm | 6.90 mm |
| MP2-HS168-4X | 168 | 83.95 mm | 3.50 mm | 4.40 mm | 6.90 mm |
| MP2-HS192-4X | 192 | 95.95 mm | 3.50 mm | 4.40 mm | 6.90 mm |

Ordering Information

MP2 - HS XXX - X X

Number of Positions
See Table

Rows
4 = 4 Rows
5 = 5 Rows

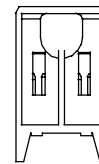
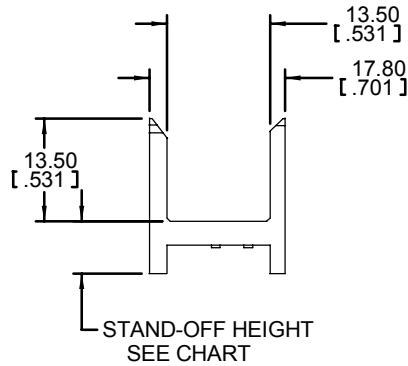
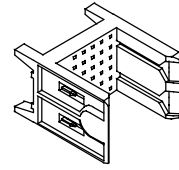
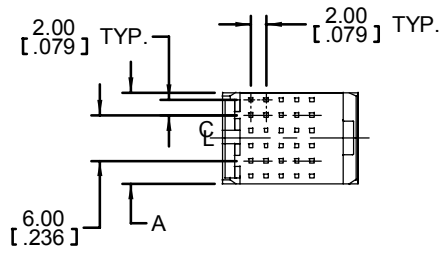
Stand-off Height
1 = 3.50 mm [0.138"
2 = 4.40 mm [0.173"
3 = 6.90 mm [0.271"

TS-1130-01
Sheet 2 of 3

3M™ MetPak™ 2-FB Shroud 2mm Backplane, Rear Plug

MP2 Series

5-Row



mm
[in.]

| | | |
|------------------------|-----|------|
| Tolerance Unless Noted | | |
| | 0.0 | 0.00 |
| mm | ±.1 | ±.10 |

[] Dimensions for Reference Only

| REAR PLUG UP MATE LENGTHS | | | | | | | | |
|---------------------------|--------------------|---------------------------------|---------------------|---------------------|---------------------|---------------------|---------------------|---------------------|
| METPAK 2 SHROUD | METPAK 2-FB HEADER | PRINTED CIRCUIT BOARD THICKNESS | | | | | | |
| | | 1.60mm (.062in.) | 2.40mm (.093in.) | 3.20mm (.125in.) | 4.00mm (.156in.) | 4.80mm (.187in.) | 5.60mm (.218in.) | 6.40mm (.250in.) |
| MP2-HSXXX-51 | MP2-HXXX-5XP5-XXXX | ----- | 7.70mm | 6.90mm | 6.10mm | 5.30mm | ----- | ----- |
| | MP2-HXXX-5XP7-XXXX | ----- | ----- | ----- | ----- | ----- | 7.90mm | 7.10mm |
| MP2-HSXXX-52 | MP2-HXXX-5XP5-XXXX | 7.60mm | 6.80mm | 6.00mm | 5.20mm | 4.40mm | ----- | ----- |
| | MP2-HXXX-5XP7-XXXX | ----- | ----- | ----- | ----- | ----- | 7.00mm | 6.20mm |
| MP2-HSXXX-53 | MP2-HXXX-5XP5-XXXX | 5.10mm | ----- | ----- | ----- | ----- | ----- | ----- |
| | MP2-HXXX-5XP7-XXXX | ----- | 7.70mm | 6.90mm | 6.10mm | 5.30mm | 4.50mm | ----- |

| DESCRIPTION | CONTACT QUANTITY | A | STAND-OFF HEIGHT | | |
|--------------|------------------|----------|------------------|--------------|--------------|
| | | | MP2-HSXXX-51 | MP2-HSXXX-52 | MP2-HSXXX-53 |
| MP2-HS030-5X | 30 | 11.95 mm | 3.50 mm | 4.40 mm | 6.90 mm |
| MP2-HS060-5X | 60 | 23.95 mm | 3.50 mm | 4.40 mm | 6.90 mm |
| MP2-HS090-5X | 90 | 35.95 mm | 3.50 mm | 4.40 mm | 6.90 mm |
| MP2-HS120-5X | 120 | 47.95 mm | 3.50 mm | 4.40 mm | 6.90 mm |
| MP2-HS150-5X | 150 | 59.95 mm | 3.50 mm | 4.40 mm | 6.90 mm |
| MP2-HS180-5X | 180 | 71.95 mm | 3.50 mm | 4.40 mm | 6.90 mm |
| MP2-HS210-5X | 210 | 83.95 mm | 3.50 mm | 4.40 mm | 6.90 mm |
| MP2-HS240-5X | 240 | 95.95 mm | 3.50 mm | 4.40 mm | 6.90 mm |

TS-1130-01
Sheet 3 of 3

Important Notice

All statements, technical information, and recommendations related to 3M's products are based on information believed to be reliable, but the accuracy or completeness is not guaranteed. Before using this product, you must evaluate it and determine if it is suitable for your intended application. You assume all risks and liability associated with such use. Any statements related to the product which are not contained in 3M's current publications, or any contrary statements contained on your purchase order shall have no force or effect unless expressly agreed upon, in writing, by an authorized officer of 3M.



Electronic and Interconnect Solutions Division

6801 River Place Blvd.
Austin, TX 78726-9000
www.3M.com/eisd

Warranty; Limited Remedy; Limited Liability.

This product will be free from defects in material and manufacture for a period of 1 year from the date of purchase. **3M MAKES NO OTHER WARRANTIES INCLUDING, BUT NOT LIMITED TO, ANY IMPLIED WARRANTY OF MERCHANTABILITY OR FITNESS FOR A PARTICULAR PURPOSE.** If this product is defective within the warranty period stated above, your exclusive remedy shall be, at 3M's option, to replace or repair the 3M product or refund the purchase price of the 3M product. **Except where prohibited by law, 3M will not be liable for any loss or damage arising from this 3M product, whether direct, indirect, special, incidental or consequential regardless of the legal theory asserted.**

Компания «Life Electronics» занимается поставками электронных компонентов импортного и отечественного производства от производителей и со складов крупных дистрибьюторов Европы, Америки и Азии.

С конца 2013 года компания активно расширяет линейку поставок компонентов по направлению коаксиальный кабель, кварцевые генераторы и конденсаторы (керамические, пленочные, электролитические), за счёт заключения дистрибьюторских договоров

Мы предлагаем:

- Конкурентоспособные цены и скидки постоянным клиентам.
- Специальные условия для постоянных клиентов.
- Подбор аналогов.
- Поставку компонентов в любых объемах, удовлетворяющих вашим потребностям.
- Приемлемые сроки поставки, возможна ускоренная поставка.
- Доставку товара в любую точку России и стран СНГ.
- Комплексную поставку.
- Работу по проектам и поставку образцов.
- Формирование склада под заказчика.
- Сертификаты соответствия на поставляемую продукцию (по желанию клиента).
- Тестирование поставляемой продукции.
- Поставку компонентов, требующих военную и космическую приемку.
- Входной контроль качества.
- Наличие сертификата ISO.

В составе нашей компании организован Конструкторский отдел, призванный помогать разработчикам, и инженерам.

Конструкторский отдел помогает осуществить:

- Регистрацию проекта у производителя компонентов.
- Техническую поддержку проекта.
- Защиту от снятия компонента с производства.
- Оценку стоимости проекта по компонентам.
- Изготовление тестовой платы монтаж и пусконаладочные работы.



Тел: +7 (812) 336 43 04 (многоканальный)

Email: org@lifeelectronics.ru