



Standard Recovery Diodes, (Stud Version), 300 A



DO-9 (DO-205AB)

FEATURES

- Wide current range
- High voltage rating up to 2500 V
- High surge current capabilities
- Stud cathode and stud anode version
- High resistance to acceleration
- Designed and qualified for industrial level
- Material categorization: for definitions of compliance please see www.vishay.com/doc?99912



RoHS
COMPLIANT

TYPICAL APPLICATIONS

- Converters
- Power supplies
- Machine tool controls
- High power drives
- Medium traction applications

| PRIMARY CHARACTERISTICS | |
|-------------------------|-----------------|
| $I_{F(AV)}$ | 300 A |
| Package | DO-9 (DO-205AB) |
| Circuit configuration | Single |

| MAJOR RATINGS AND CHARACTERISTICS | | | | |
|-----------------------------------|-----------------|--------------|-------------|-------------------|
| PARAMETER | TEST CONDITIONS | 301U(R) | | UNITS |
| | | 160 TO 200 | 250 | |
| $I_{F(AV)}$ | | 330 | 300 | A |
| | T_C | 120 | 120 | °C |
| $I_{F(RMS)}$ | | 520 | 470 | A |
| I_{FSM} | 50 Hz | 8250 | 6050 | A |
| | 60 Hz | 8640 | 6335 | |
| I^2t | 50 Hz | 340 | 183 | kA ² s |
| | 60 Hz | 311 | 167 | |
| V_{RRM} | Range | 1600 to 2000 | 2500 | V |
| T_J | | -40 to +180 | -40 to +180 | °C |

ELECTRICAL SPECIFICATIONS

| VOLTAGE RATINGS | | | | |
|--------------------------|--------------|--|--|--|
| TYPE NUMBER | VOLTAGE CODE | V_{RRM} , MAXIMUM REPETITIVE PEAK REVERSE VOLTAGE V | V_{RSM} , MAXIMUM NON-REPETITIVE PEAK REVERSE VOLTAGE V | I_{RRM} MAXIMUM AT $T_J = T_J$ MAXIMUM mA |
| VS-301U(R) VS-303U(R) | 160 | 1600 | 1700 | 15 |
| VS-305U(R) VS-307U(R) | 200 | 2000 | 2100 | |
| VS-309U(R) | 250 | 2500 | 2600 | |



| FORWARD CONDUCTION | | | | | | | |
|---|---------------|---|---------------------------|---|------|--------------------|-------------------|
| PARAMETER | SYMBOL | TEST CONDITIONS | | 301U(R) | | UNITS | |
| | | | | 160 TO 200 | 250 | | |
| Maximum average forward current at case temperature | $I_{F(AV)}$ | 180° conduction, half sine wave | | 330 | 300 | A | |
| Maximum RMS forward current | $I_{F(RMS)}$ | DC at $T_C = 115\text{ °C}$ (up to 2000 V), $T_C = 102\text{ °C}$ (2500 V) | | 520 | 470 | A | |
| Maximum peak, one cycle forward, non-repetitive surge current | I_{FSM} | t = 10 ms | No voltage reapplied | Sinusoidal half wave, initial $T_J = T_J$ maximum | 8250 | 6050 | A |
| | | t = 8.3 ms | | | 8640 | 6335 | |
| | | t = 10 ms | 100 % V_{RRM} reapplied | | 6940 | 5090 | |
| | | t = 8.3 ms | | | 7270 | 5330 | |
| Maximum I^2t for fusing | I^2t | t = 10 ms | No voltage reapplied | | 340 | 183 | kA ² s |
| | | t = 8.3 ms | | | 311 | 167 | |
| | | t = 10 ms | 100 % V_{RRM} reapplied | | 241 | 129 | |
| | | t = 8.3 ms | | | 220 | 118 | |
| Maximum $I^2\sqrt{t}$ for fusing | $I^2\sqrt{t}$ | t = 0.1 to 10 ms, no voltage reapplied | | 3400 | 1830 | kA ² √s | |
| Low level value of threshold voltage | $V_{F(TO)1}$ | (16.7 % $\times \pi \times I_{F(AV)} < I < \pi \times I_{F(AV)}$), $T_J = T_J$ maximum | | 0.77 | 0.90 | V | |
| High level value of threshold voltage | $V_{F(TO)2}$ | (I > $\pi \times I_{F(AV)}$), $T_J = T_J$ maximum | | 0.84 | 0.97 | | |
| Low level value of forward slope resistance | r_{f1} | (16.7 % $\times \pi \times I_{F(AV)} < I < \pi \times I_{F(AV)}$), $T_J = T_J$ maximum | | 0.49 | 0.59 | mΩ | |
| High level value of forward slope resistance | r_{f2} | (I > $\pi \times I_{F(AV)}$), $T_J = T_J$ maximum | | 0.49 | 0.55 | | |
| Maximum forward voltage drop | V_{FM} | $I_{pk} = 942\text{ A}$, $T_J = T_J$ maximum, $t_p = 10\text{ ms}$ sinusoidal wave | | 1.22 | 1.46 | V | |

| SPECIAL SELECTION FORWARD VOLTAGE ($T_J = 25\text{ °C}$) | | | | | |
|--|------|------|------|------|-----------------|
| DEVICE CLASSIFICATION | BAND | MIN. | MAX. | UNIT | TEST CONDITIONS |
| VS-305U250P4 VS-307UA250P4 VS-305UR250P4 VS-307URA250P4 | P4 | 1.31 | 1.40 | V | 1000 A_{pk} |

| THERMAL AND MECHANICAL SPECIFICATIONS | | | | |
|--|------------|---|-----------------|-------|
| PARAMETER | SYMBOL | TEST CONDITIONS | VALUES | UNITS |
| Maximum junction operating temperature range | T_J | | -40 to 180 | °C |
| Maximum storage temperature range | T_{Stg} | | -40 to 200 | |
| Maximum thermal resistance, junction to case | R_{thJC} | DC operation | 0.14 | K/W |
| Maximum thermal resistance, case to heatsink | R_{thCS} | Mounting surface, smooth, flat and greased | 0.08 | |
| Maximum allowed mounting torque +0 -20 % | | Not lubricated threads | 37 | N · m |
| | | Lubricated threads | 28 | |
| Weight | 301U | | 250 ± 5 | g |
| | 303U | | 152 ± 5 | |
| | 305U | | 177 ± 5 | |
| | 307U | | 197 ± 5 | |
| | 309U | | 160 ± 5 | |
| Case style | | See dimensions - link at the end of datasheet | DO-9 (DO-205AB) | |



| ΔR_{thJC} CONDUCTION | | | | | | |
|------------------------------|-----------------------|-------|------------------------|-------|---------------------|-------|
| CONDUCTION ANGLE | SINUSOIDAL CONDUCTION | | RECTANGULAR CONDUCTION | | TEST CONDITIONS | UNITS |
| | 80 TO 200 | 250 | 80 TO 200 | 250 | | |
| 180° | 0.015 | 0.015 | 0.011 | 0.011 | $T_J = T_J$ maximum | K/W |
| 120° | 0.018 | 0.018 | 0.019 | 0.019 | | |
| 90° | 0.023 | 0.023 | 0.025 | 0.025 | | |
| 60° | 0.034 | 0.034 | 0.035 | 0.035 | | |
| 30° | 0.056 | 0.056 | 0.057 | 0.057 | | |

Note

- The table above shows the increment of thermal resistance R_{thJC} when devices operate at different conduction angles than DC

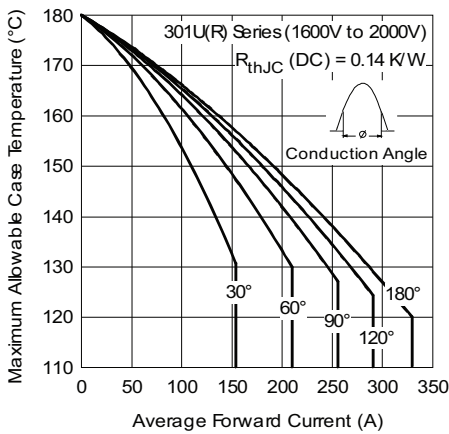


Fig. 1 - Current Ratings Characteristics

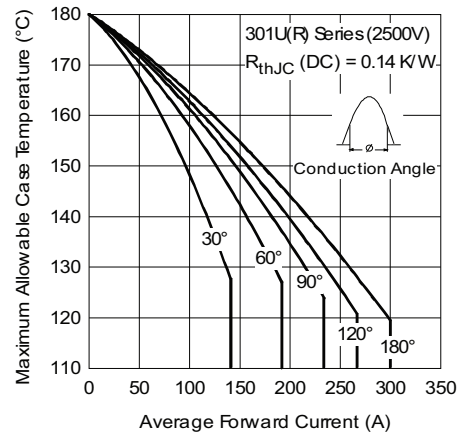


Fig. 2 - Current Ratings Characteristics

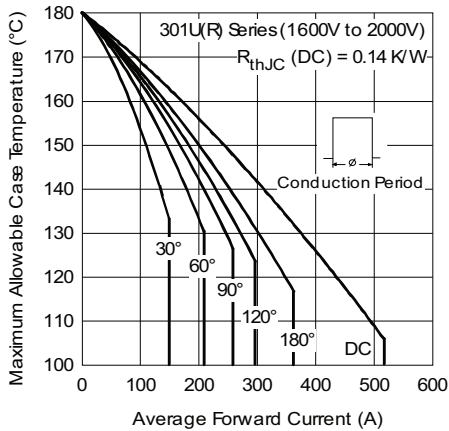


Fig. 1 - Current Ratings Characteristics

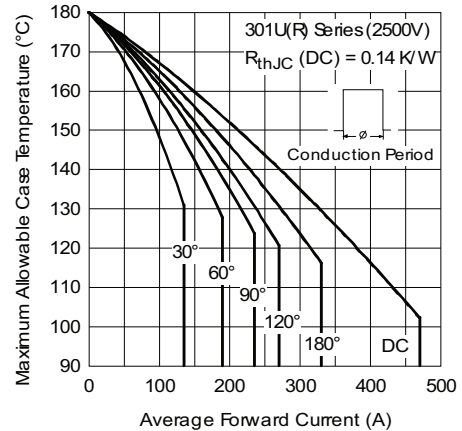


Fig. 3 - Current Ratings Characteristics

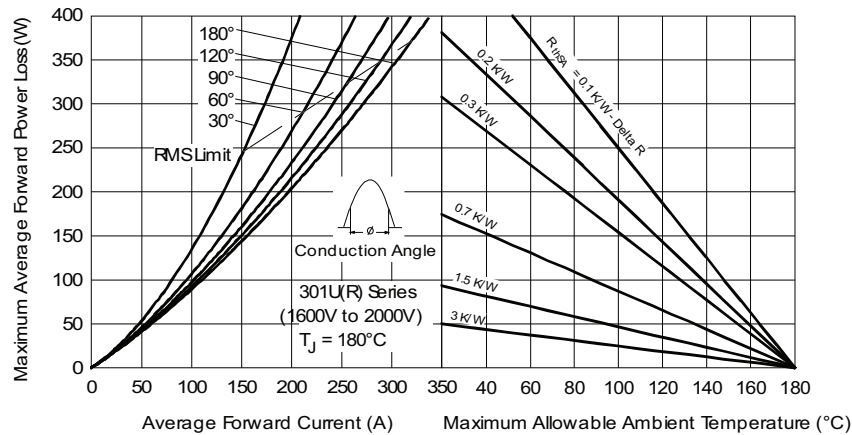


Fig. 4 - Forward Power Loss Characteristics

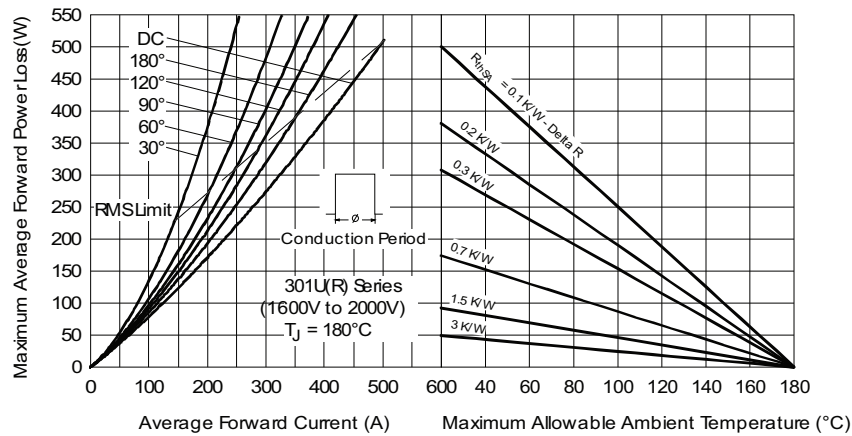


Fig. 5 - Forward Power Loss Characteristics

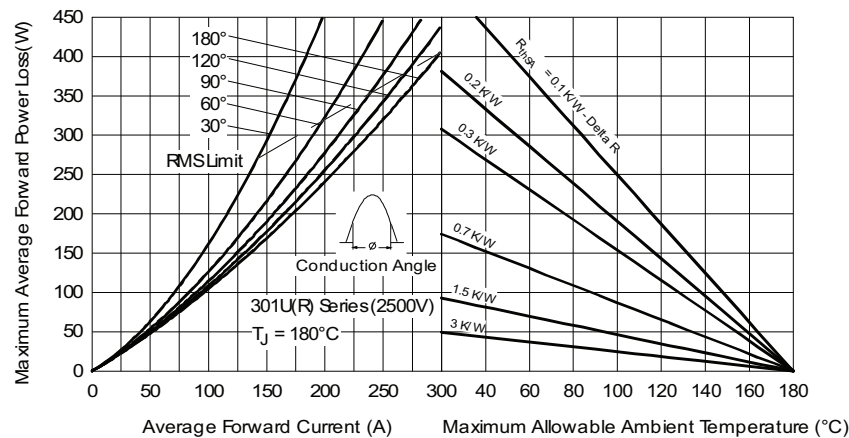


Fig. 6 - Forward Power Loss Characteristics



Fig. 7 - Forward Power Loss Characteristics



Fig. 8 - Maximum Non-Repetitive Surge Current



Fig. 10 - Maximum Non-Repetitive Surge Current

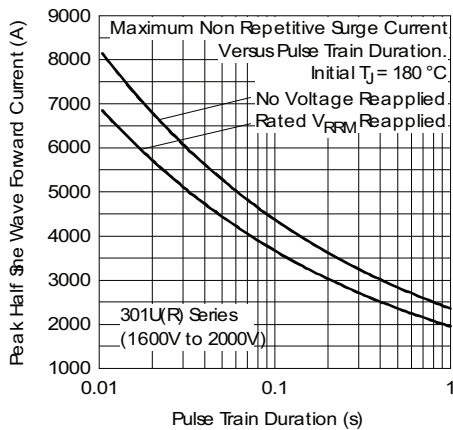


Fig. 9 - Maximum Non-Repetitive Surge Current

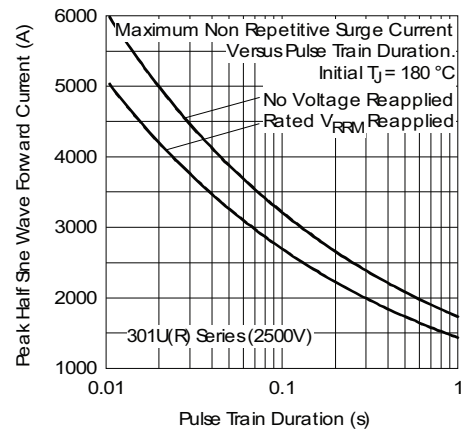


Fig. 11 - Maximum Non-Repetitive Surge Current



Fig. 12 - Forward Voltage Drop Characteristics



Fig. 13 - Forward Voltage Drop Characteristics

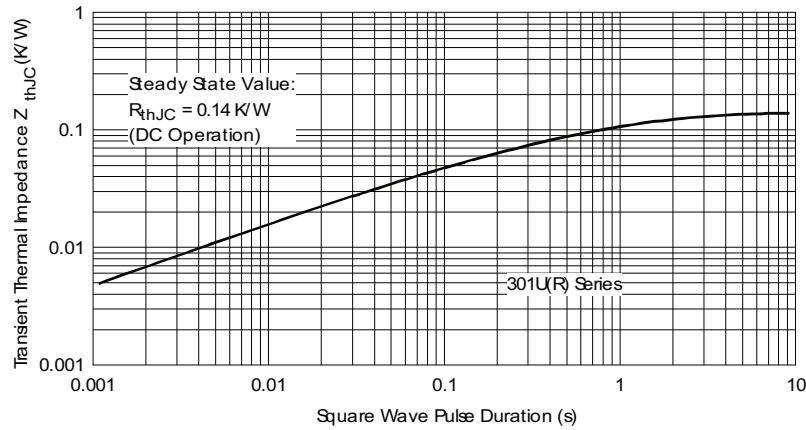


Fig. 14 - Thermal Impedance Z_{thJC} Characteristic



ORDERING INFORMATION TABLE

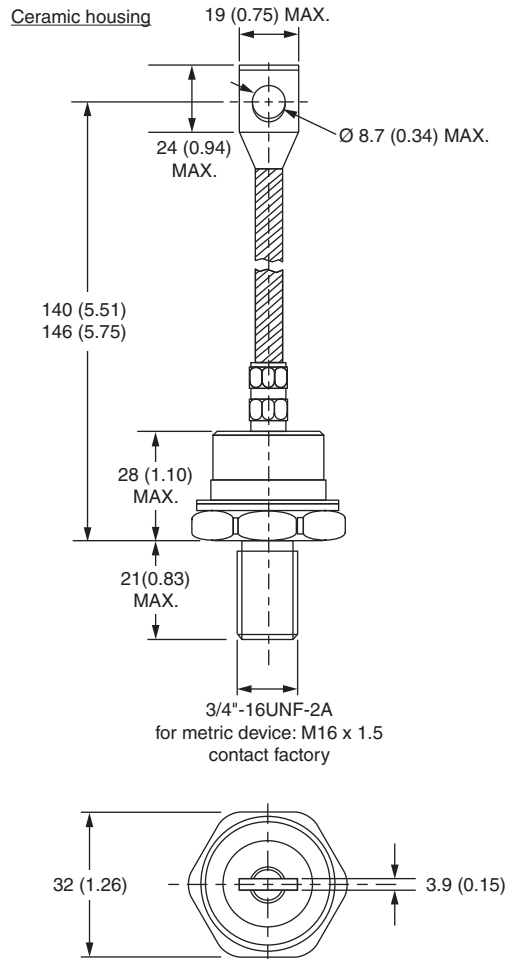


- 1** - Vishay Semiconductors product
- 2** - 30 = essential part number
- 3** -
 - 1 = standard device
 - 3 = top threaded version
 - 5 = type for rotating application with top threaded version 3/8 16UNC-2A
 - 7 = type for rotating application with flexible lead
 - 9 = type for rotating application with top threaded version 3/8 24UNF
- 4** -
 - U = stud normal polarity (cathode to stud)
 - UR = stud reverse polarity (anode to stud)
- 5** - A = maximum leakage selection $I_{RRM} = 2 \text{ mA}$, $T_J = 25 \text{ }^\circ\text{C}$
- 6** - Voltage code $\times 10 = V_{RRM}$ (see Voltage Ratings table)
- 7** - Refer special selection table for applicable parts

| LINKS TO RELATED DOCUMENTS | |
|----------------------------|--|
| Dimensions | www.vishay.com/doc?95337 |

DO-205AB (DO-9), B-60, B-61, B-41, B-40 for 301U(R), 307U(R), 305U(R) and 309U(R) Series

DIMENSIONS FOR 301U(R) SERIES - DO-205AB (DO-9) in millimeters (inches)



Outline Dimensions



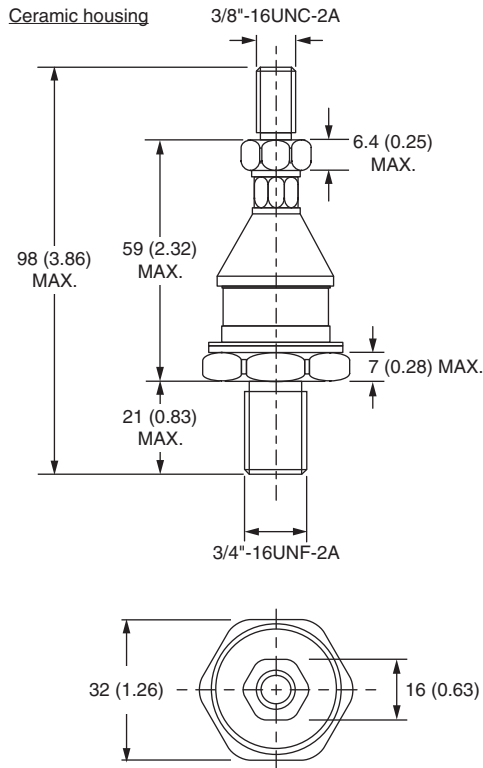
Vishay Semiconductors DO-205AB (DO-9), B-60, B-61, B-41, B-40 for 301U(R), 307U(R), 305U(R) and 309U(R) Series

DIMENSIONS FOR 307U(R) SERIES - B-60 in millimeters (inches)

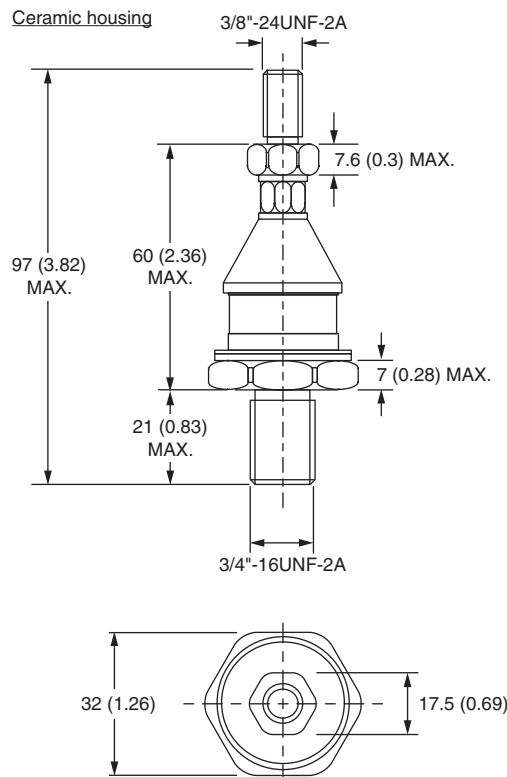




DIMENSIONS FOR 305U(R) SERIES - B-61 in millimeters (inches)



DIMENSIONS FOR 309U(R) SERIES - B-41 in millimeters (inches)

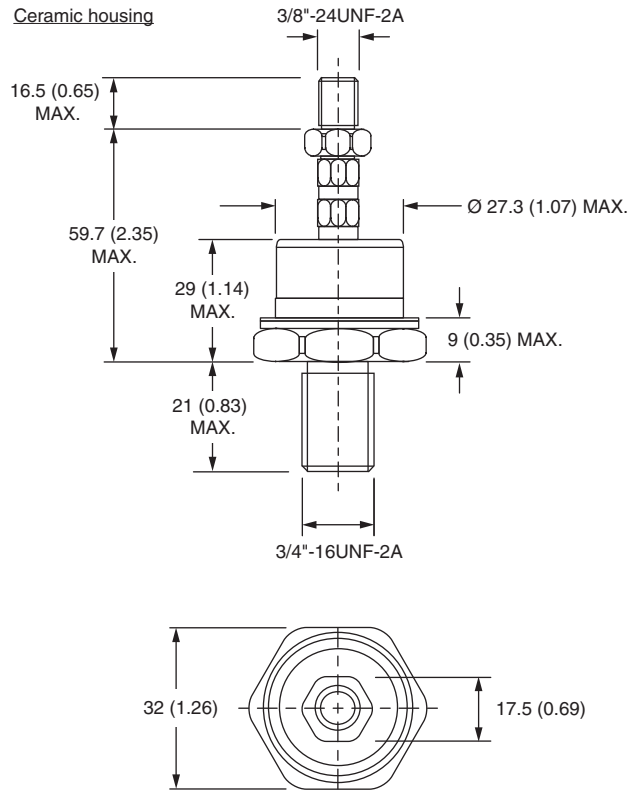


Outline Dimensions



Vishay Semiconductors DO-205AB (DO-9), B-60, B-61, B-41, B-40 for 301U(R), 307U(R), 305U(R) and 309U(R) Series

DIMENSIONS FOR 303U(R) SERIES - B-40 in millimeters (inches)





Disclaimer

ALL PRODUCT, PRODUCT SPECIFICATIONS AND DATA ARE SUBJECT TO CHANGE WITHOUT NOTICE TO IMPROVE RELIABILITY, FUNCTION OR DESIGN OR OTHERWISE.

Vishay Intertechnology, Inc., its affiliates, agents, and employees, and all persons acting on its or their behalf (collectively, "Vishay"), disclaim any and all liability for any errors, inaccuracies or incompleteness contained in any datasheet or in any other disclosure relating to any product.

Vishay makes no warranty, representation or guarantee regarding the suitability of the products for any particular purpose or the continuing production of any product. To the maximum extent permitted by applicable law, Vishay disclaims (i) any and all liability arising out of the application or use of any product, (ii) any and all liability, including without limitation special, consequential or incidental damages, and (iii) any and all implied warranties, including warranties of fitness for particular purpose, non-infringement and merchantability.

Statements regarding the suitability of products for certain types of applications are based on Vishay's knowledge of typical requirements that are often placed on Vishay products in generic applications. Such statements are not binding statements about the suitability of products for a particular application. It is the customer's responsibility to validate that a particular product with the properties described in the product specification is suitable for use in a particular application. Parameters provided in datasheets and / or specifications may vary in different applications and performance may vary over time. All operating parameters, including typical parameters, must be validated for each customer application by the customer's technical experts. Product specifications do not expand or otherwise modify Vishay's terms and conditions of purchase, including but not limited to the warranty expressed therein.

Except as expressly indicated in writing, Vishay products are not designed for use in medical, life-saving, or life-sustaining applications or for any other application in which the failure of the Vishay product could result in personal injury or death. Customers using or selling Vishay products not expressly indicated for use in such applications do so at their own risk. Please contact authorized Vishay personnel to obtain written terms and conditions regarding products designed for such applications.

No license, express or implied, by estoppel or otherwise, to any intellectual property rights is granted by this document or by any conduct of Vishay. Product names and markings noted herein may be trademarks of their respective owners.

Компания «Life Electronics» занимается поставками электронных компонентов импортного и отечественного производства от производителей и со складов крупных дистрибьюторов Европы, Америки и Азии.

С конца 2013 года компания активно расширяет линейку поставок компонентов по направлению коаксиальный кабель, кварцевые генераторы и конденсаторы (керамические, пленочные, электролитические), за счёт заключения дистрибьюторских договоров

Мы предлагаем:

- Конкуренеспособные цены и скидки постоянным клиентам.
- Специальные условия для постоянных клиентов.
- Подбор аналогов.
- Поставку компонентов в любых объемах, удовлетворяющих вашим потребностям.
- Приемлемые сроки поставки, возможна ускоренная поставка.
- Доставку товара в любую точку России и стран СНГ.
- Комплексную поставку.
- Работу по проектам и поставку образцов.
- Формирование склада под заказчика.
- Сертификаты соответствия на поставляемую продукцию (по желанию клиента).
- Тестирование поставляемой продукции.
- Поставку компонентов, требующих военную и космическую приемку.
- Входной контроль качества.
- Наличие сертификата ISO.

В составе нашей компании организован Конструкторский отдел, призванный помогать разработчикам, и инженерам.

Конструкторский отдел помогает осуществить:

- Регистрацию проекта у производителя компонентов.
- Техническую поддержку проекта.
- Защиту от снятия компонента с производства.
- Оценку стоимости проекта по компонентам.
- Изготовление тестовой платы монтаж и пусконаладочные работы.



Тел: +7 (812) 336 43 04 (многоканальный)

Email: org@lifeelectronics.ru