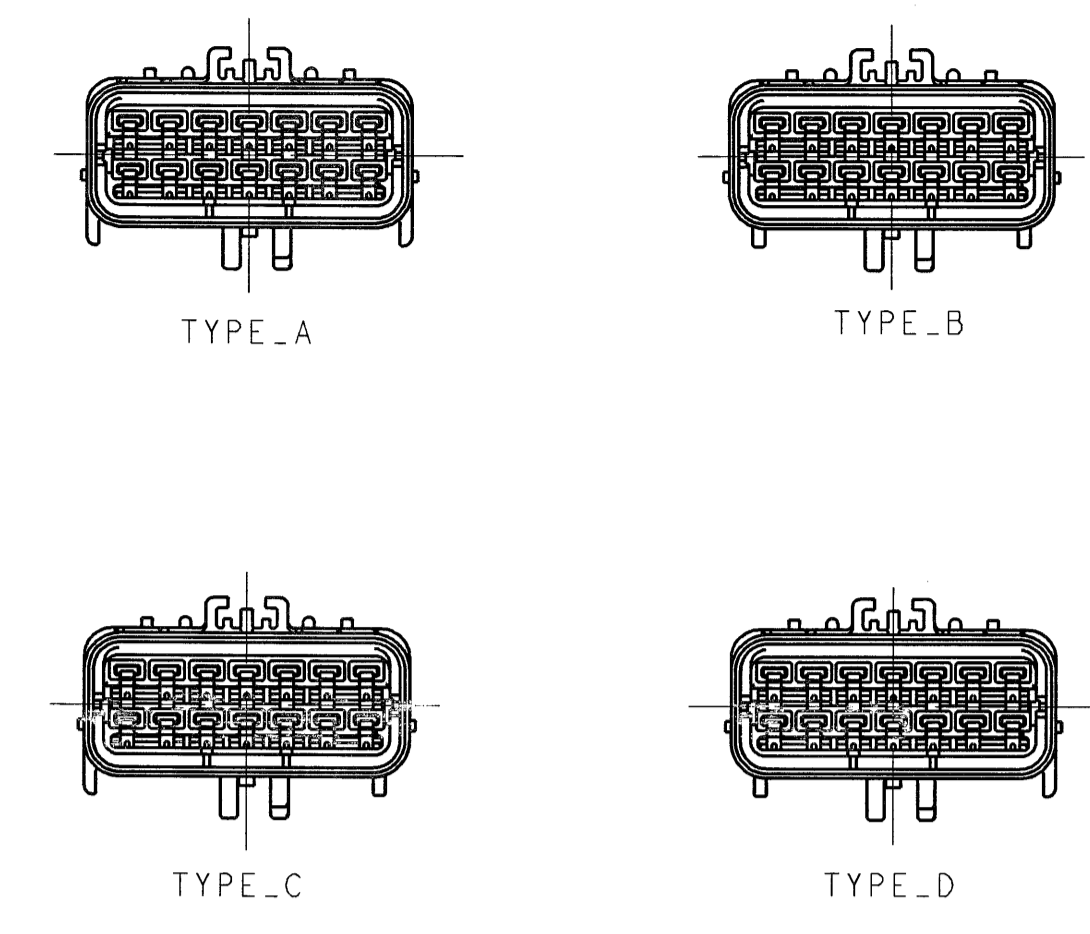
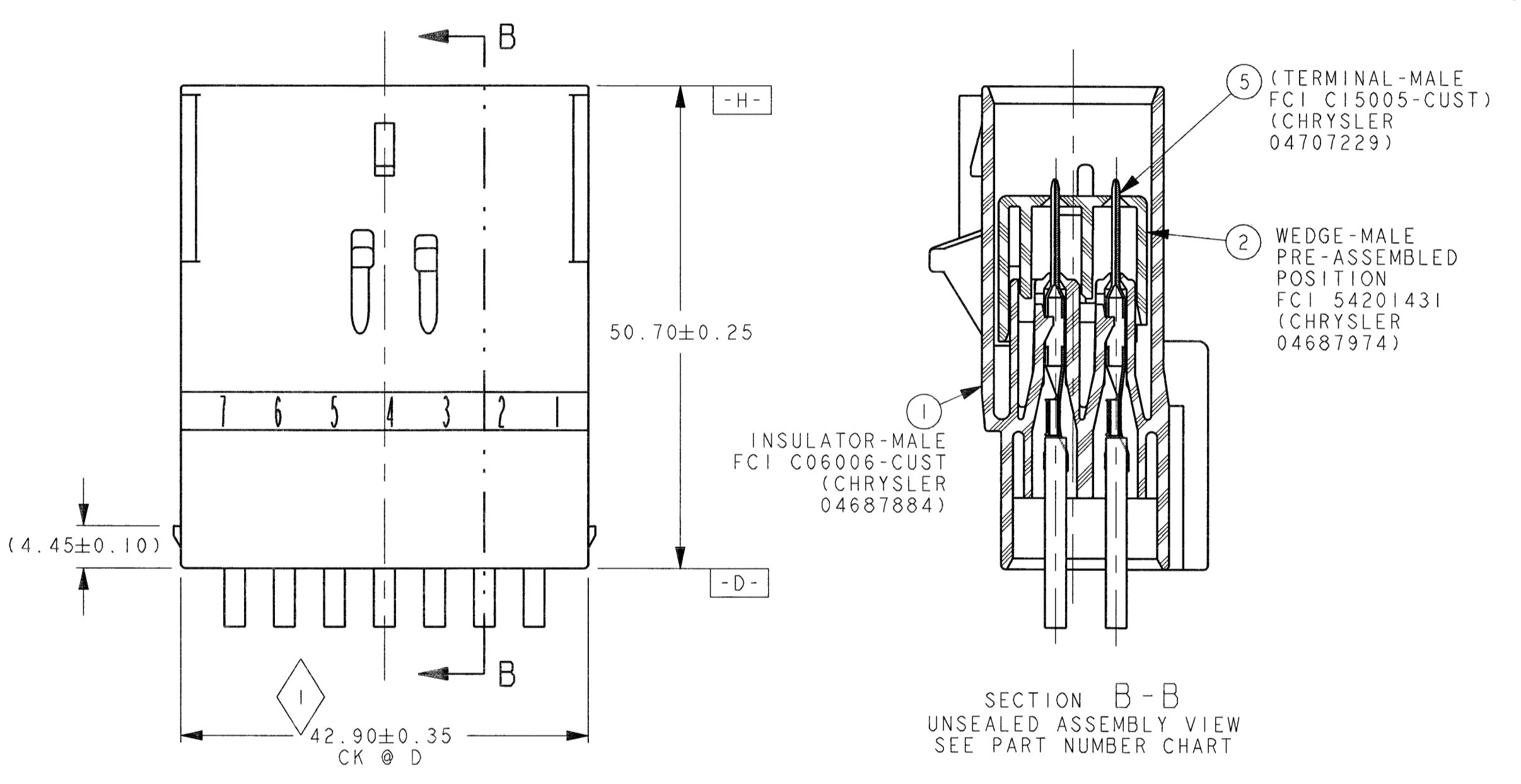
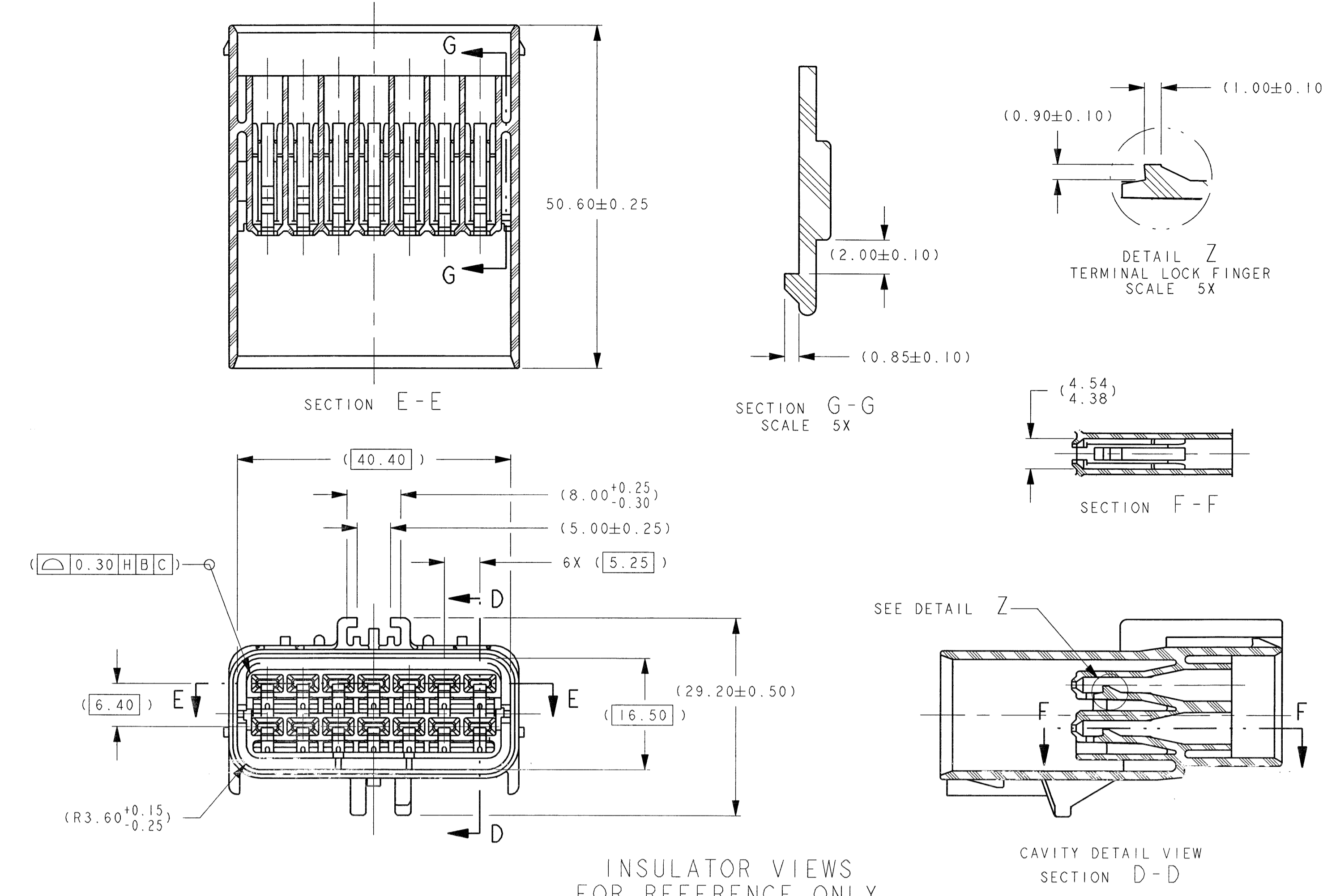
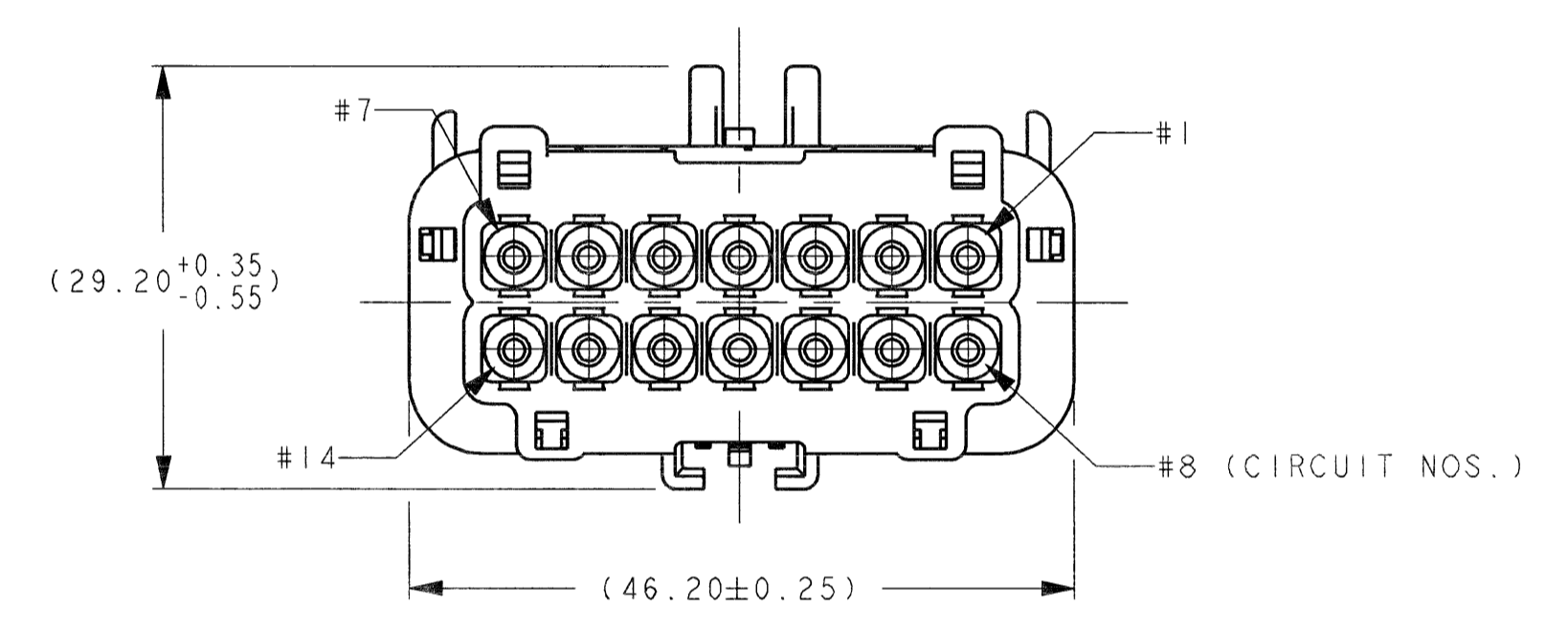
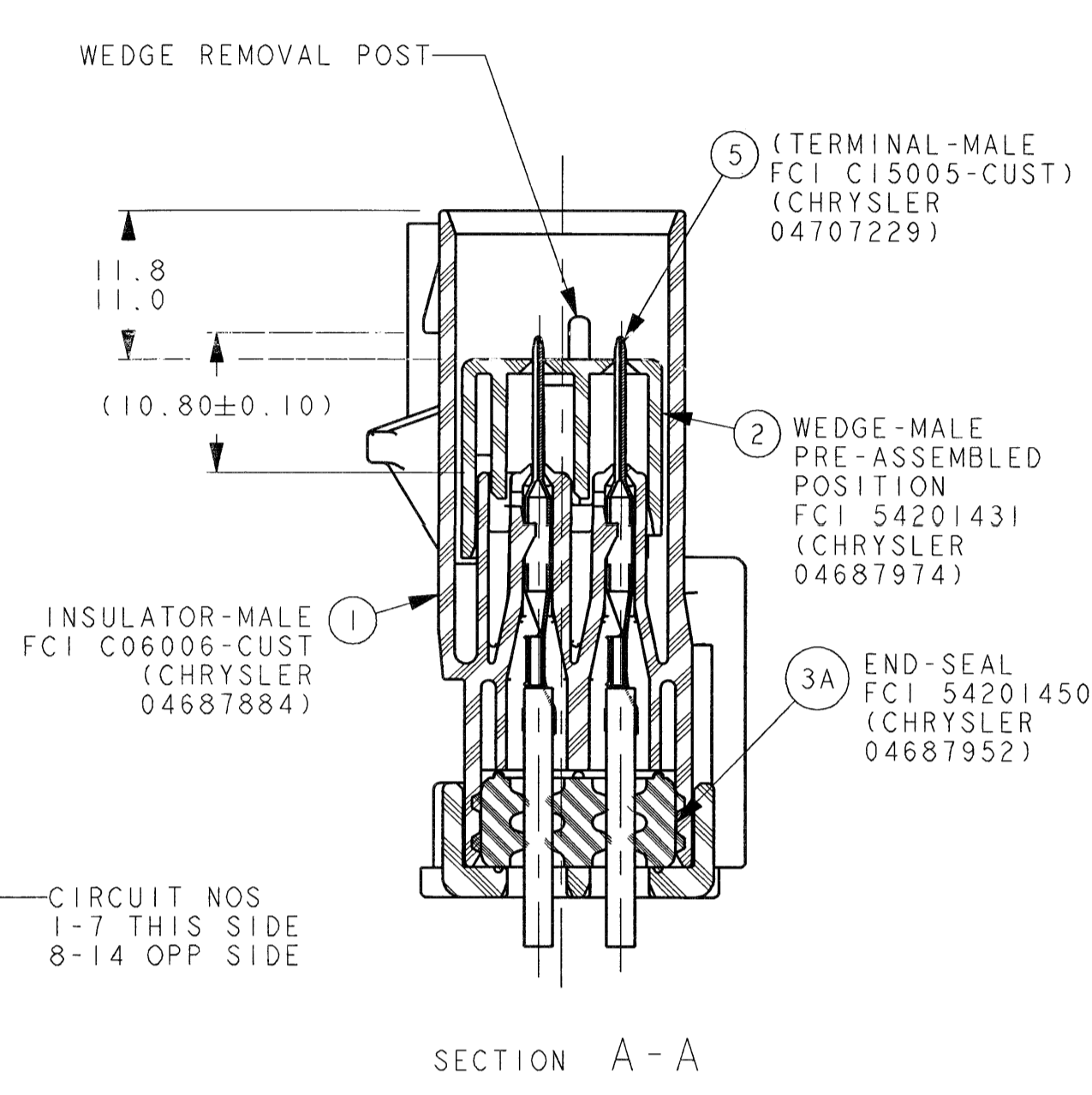
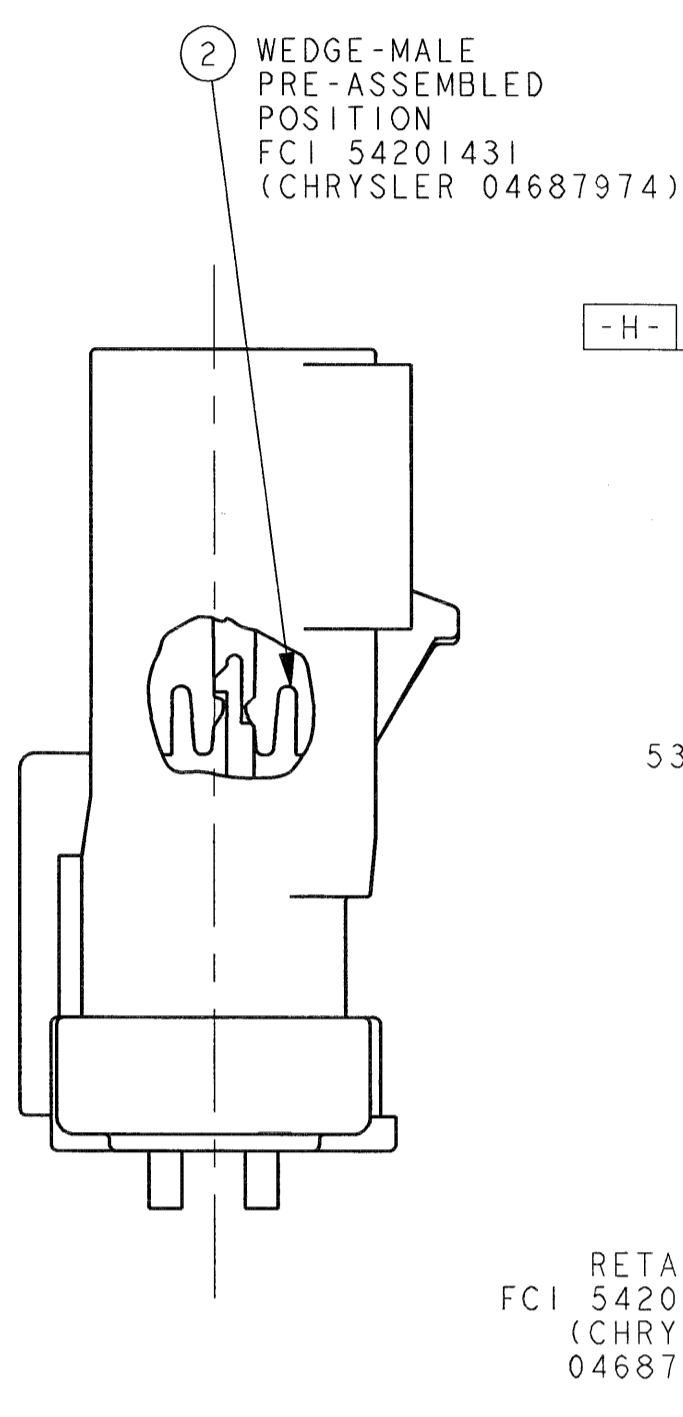
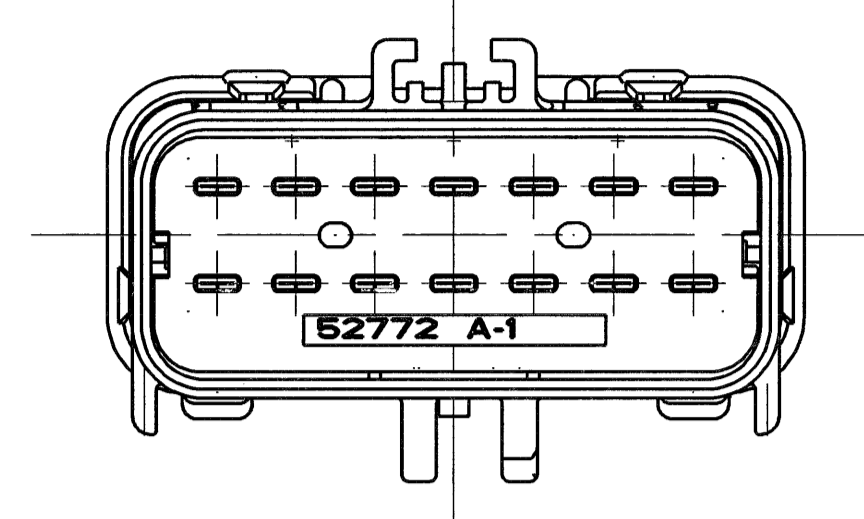
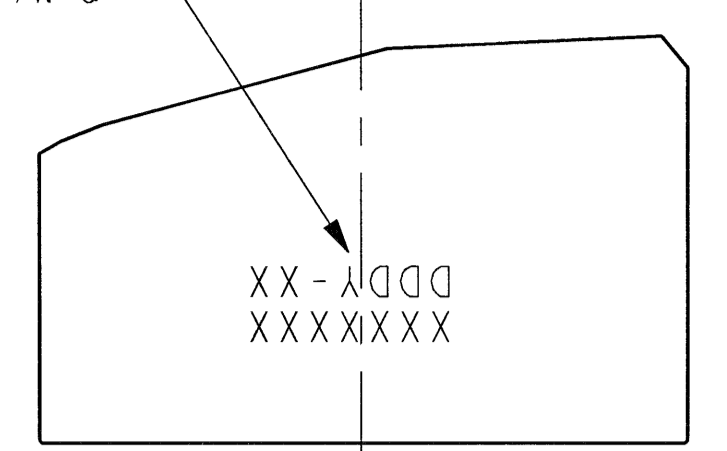


LAST 5 DIGIT OF 8 DIGIT P/N & PART CHANGE LEVEL (PCL) OR LAST 6 DIGITS OF 10 DIGIT P/N & PART CHANGE LEVEL (PCL).
MFG. DAILY DATE CODE & ASSY MACHINE NO. LETTERING MUST BE LEGIBLE. OPTIONAL



POLARIZATION OPTIONS FULL SIZE

- NOTES:
- 1. QUALITY ASSURANCE REQUIREMENTS PER CHRYSLER PS-7300: 1 SPC DATA REQUIRED
 - 2. ENGINEERING APPROVAL OF SUPPLIER SAMPLES IS REQUIRED PRIOR TO AUTHORIZATION OF PART PRODUCTION
 - 3. CHANGES IN DESIGN COMPOSITION OR PROCESSING FROM THE PART PREVIOUSLY APPROVED FOR PART PRODUCTION REQUIRES PRIOR ENGINEERING APPROVAL
 - 4. WIRING FABRICATORS MUST PURCHASE FROM SOURCES SHOWN
 - 5. ALL THE SEALED CONNECTOR APPLICATIONS MAY BE USED WITH CHRYSLER WIRE SPEC. MS-8288 OR MS-9502 THIN WALL X-LINK 20, 18, 16 & 14 GAGE WIRES ONLY UNLESS OTHERWISE SPECIFIED SEE CHART (WIRE INSULATIONS Ø 1.70 MIN TO Ø 3.35 MAX)
 - 6. ALL NON-SEALED APPLICATIONS MAY BE USED WITH ANY WIRE INSULATION 22 GAGE THRU 10 GAGE (EXCEPT AS NOTED) PROVIDING THAT A TERMINAL GRIP FOR THAT CORE/INSULATION COMBINATION IS SHOWN ON THE MALE TERMINAL DRAWING

- NOTE:
- MAX. INSULATION CRIMP WIDTH = 4.50
 - MAX. INSULATION CRIMP HEIGHT = 4.50
 - MAX. INSULATION CRIMP DIA. = 4.09 (10 GA THIN WALL)

- 7. USE WITH CAVITY PLUG FCI P/N 54200005 (CHRYSLER P/N 56038308) WHEN REQ'D USE WITH DOUBLE X-MAS TREE CLIP FCI P/N 54200010 W/FORWARD STOP WHEN REQ'D USE WITH DOUBLE X-MAS TREE CLIP CHRYSLER P/N 04707091 WHEN REQUIRED USE WITH SINGLE X-MAS TREE CLIP CHRYSLER P/N 04625797 WHEN REQUIRED USE WITH 2.80MM APEX MALE TERM PER C15005-CUST SYM ABOUT CENTERLINE FOR 180° ORIENTATION
- 8. DIRECT CONNECT DRAWING NO. FCI G36014 (CHRYSLER 04707029)
- 9. TEST METHOD PER SAE/USCAR-2 REV.5, CONNECTOR ENGAGE & DISENGAGE WITH FEMALE LATCH DEPRESSED FORCE NOT TO EXCEED 142 N (32LBS/PF-752(T)) FOR THIS SYSTEM PRESSURE 3 PSI (22 KPA) PER TEST PF-752(T)
- 10. WEDGE SEATING FORCES - 150 N MAX
- 11. X-MAS TREE CLIP INSERTION FORCES - 75 N MAX
- 12. SUPPLIER, MOLD & CAVITY I.D. SIGNIFIES TOOL OWNERSHIP, FOR REFERENCE
- 13. ANNUAL QUALITY REQUIREMENTS: IT IS PERMISSIBLE TO PERFORM CONTINUOUS CONFORMANCE PER FCI SPECIFICATION WAGA-001 INSTEAD OF ANNUAL LAYOUT & ANNUAL PV REQUIREMENTS OF QS-9000 SECTION 2 & PF-9600

- ALL NON-REFERENCE DIMENSIONS ARE REQUIRED
- USE INDEX A, BLACK SEALED AND UNSEALED FOR ALL AFFECTED INSULATOR CAVITIES
 - CURRENT PRODUCTION TOOLING
 - POINT OF LAST RUN
 - SERVICE TOOLING GUIDE INFORMATION PER APEX TRAINING MANUAL
 - MUST CONFORM TO THE FOLLOWING CHRYSLER/YNA STANDARDS:
1. PF9600
 2. PS-7300 QUALITY ASSURANCE (CHRYSLER)
 3. MS-9502 SEAL APPL. 150 °C
 4. MS-8288 SEAL APPL. 125 °C
 5. PS-9227 DATA EXCHANGE (CHRYSLER), (G009-7 YNA)
 6. PS-10052 INFORMATION SECURITY (CHRYSLER)
- THIS DRAWING (H59016) REPLACES CHRYSLER DRAWING NUMBER 04687887 LEVEL "H" CHRYSLER DRAWING IS FOR REFERENCE ONLY FOR PREVIOUS CHANGES

FCI P/N'S	CHRYSLER P/N'S	NON-CHRYSLER P/N'S	UNSEALED	SEALED				
D	LT GREEN	UNSEALED	DIRECT CONNECT APPLICATION	54201452N	N/A	N/A		
		UNSEALED	DIRECT CONNECT APPLICATION	54201452	04868345AA	N/A		
		UNSEALED	DIRECT CONNECT APPLICATION	54201403N	N/A	N/A		
		UNSEALED	DIRECT CONNECT APPLICATION	54201403	04687932	7283-4649		
D	NATURAL	SEALED	54201464	N/A	N/A	54201414	04687928	7283-4749
		SEALED	54201418	N/A	N/A	54201414N	N/A	N/A
		SEALED	54201418	04707243	N/A	54201414	04687928	7283-4749
		SEALED	54201417	04707241	N/A	54201413	04687927	7283-4748-10
C	DK GREY	UNSEALED	DIRECT CONNECT APPLICATION	54201402N	N/A	N/A		
		UNSEALED	DIRECT CONNECT APPLICATION	54201402	04687931	7283-4648-10		
		SEALED	54201463	N/A	N/A	54201413	04687927	7283-4748-10
		SEALED	54201417	N/A	N/A	54201413N	N/A	N/A
C	DK GREY	SEALED	54201417	04707241	N/A	54201413	04687927	7283-4748-10
		UNSEALED	DIRECT CONNECT APPLICATION	54201453N	N/A	N/A		
		UNSEALED	DIRECT CONNECT APPLICATION	54201453	N/A	7283-4747-40 (E0001361)		
		UNSEALED	54201405	N/A	N/A	54201401N	N/A	N/A
B	LT GREY	UNSEALED	54201405	04687936	N/A	54201401	04687930	7283-4647-40
		SEALED	54201462	N/A	N/A	54201412	04687926	7283-4645-40
		SEALED	54201416	N/A	N/A	54201412N	N/A	N/A
		SEALED	54201416	04687934	N/A	54201412	04687926	7283-4645-40
A	BLACK	UNSEALED	54201404	N/A	N/A	54201442N	N/A	N/A
		UNSEALED	54201404	04687935	N/A	54201442	04687927AA	N/A
		UNSEALED	54201404	N/A	N/A	54201400N	N/A	N/A
		UNSEALED	54201404	04687935	N/A	54201400	04687929	7283-4644-30
A	BLACK	SEALED	54201459	N/A	N/A	54201411	04687925	7283-4641-30
		SEALED	54201415	04687933	N/A	54201411	04687925	7283-4641-30
		SEALED	54201415	04687933	N/A	54201419N	*04707442	7283-4746-30
		SEALED	54201415	04687933	N/A	54201443	*04759591AA	7283-4341-30
A	BLACK	SEALED	54201415	04687933	N/A	54201445N	04707405	N/A
		SEALED	54201415	04687933	N/A	54201456N	N/A	N/A
		FCI (CHRYSLER)	YNA	FCI (CHRYSLER)	YNA			
		CHRYSLER APPLICATION	MATING ASSEMBLY PART NUMBERS FOR REFERENCE ONLY					

FCI P/N'S	CHRYSLER P/N'S	NON-CHRYSLER P/N'S	UNSEALED	SEALED
54201404	04687935	N/A	N/A	N/A
54201405	04687936	N/A	N/A	N/A
54201468	N/A	N/A	N/A	N/A
54201415	04687933	GM15125233	N/A	N/A
54201416	04687934	N/A	N/A	N/A
54201417	04707241	N/A	N/A	N/A
54201418	04707243	N/A	N/A	N/A
54201459	N/A	N/A	N/A	N/A
54201462	N/A	N/A	N/A	N/A
54201463	N/A	N/A	N/A	N/A
54201464	N/A	N/A	N/A	N/A

REQUIRED	REQUIRED	ITEM	FCI P/N	CHRYSLER P/N	PART NAME	MATERIAL		
		1	54201424	04687803	INS-MALE INDEX A; BLK	NYLON 66		
		1	54201425	04687947	INS-MALE INDEX B; LT GREY	NYLON 66		
		1	54201426	04707239	INS-MALE INDEX C; DK GREY	NYLON 66		
		1	54201427	04707240	INS-MALE INDEX D; NATURAL	NYLON 66		
		2	54201431	04687974	WEDGE-MALE; RED	NYLON 66		
		3A	54201450	04687952	END SEAL; LT BLUE (20, 18, 16 & 14AWG)	SILICONE		
		3B	54201457	*93308014	END SEAL; BRT YELLOW (NO HOLES)	SILICONE		
		4	54201428	04687948	RETAINER; BLACK	NYLON 66		
3	3	3	3	3	3	3	CONNECTOR ASSEMBLY TEMPERATURE CLASS PER SAE/USCAR-2 REV.5	
E	G	K	G	F	G	K	J	J

** INTERLOCK P/N

(SEE TABLE)	---	---	---	---
PART NUMBER	PART NUMBER	REV. DATE	REV. DATE	DRAWING NUMBER
FCI	FCI			CUSTOMER

10481	6-30-08	K3	[E15, E14]	SEALED AND UNSEALED CABLES CONNECTED W/INS. HOLES	ASHOK	SSS	SSS
10200	6-05-08	K2	EB	USE WITH 7 BROW APEX MALE TERMINAL NOTE: BROW FOR INS. HOLES	ANUS	SSS	SSS
1	1	1	ALL	REWORK ON NEW FCI TITLE BLOCK. SEE REV. 101 FOR PREVIOUS CHANGES. SEE REVISED CAVITY			

PROJECT: APEX 2.80MM WIRE MALE (12 AWG APEX CONNECTOR SYSTEM)

DATE: 05/08/08

DESIGNER: [Name]

CHECKED: [Name]

APPROVED: [Name]

SCALE: 1:1

UNIT: MILLIMETERS

CHART ASSEMBLY

12 AWG MALE (12 AWG APEX CONNECTOR SYSTEM)

H59016

H59016.DWG

Компания «Life Electronics» занимается поставками электронных компонентов импортного и отечественного производства от производителей и со складов крупных дистрибьюторов Европы, Америки и Азии.

С конца 2013 года компания активно расширяет линейку поставок компонентов по направлению коаксиальный кабель, кварцевые генераторы и конденсаторы (керамические, пленочные, электролитические), за счёт заключения дистрибьюторских договоров

Мы предлагаем:

- Конкуренспособные цены и скидки постоянным клиентам.
- Специальные условия для постоянных клиентов.
- Подбор аналогов.
- Поставку компонентов в любых объемах, удовлетворяющих вашим потребностям.
- Приемлемые сроки поставки, возможна ускоренная поставка.
- Доставку товара в любую точку России и стран СНГ.
- Комплексную поставку.
- Работу по проектам и поставку образцов.
- Формирование склада под заказчика.
- Сертификаты соответствия на поставляемую продукцию (по желанию клиента).
- Тестирование поставляемой продукции.
- Поставку компонентов, требующих военную и космическую приемку.
- Входной контроль качества.
- Наличие сертификата ISO.

В составе нашей компании организован Конструкторский отдел, призванный помогать разработчикам, и инженерам.

Конструкторский отдел помогает осуществить:

- Регистрацию проекта у производителя компонентов.
- Техническую поддержку проекта.
- Защиту от снятия компонента с производства.
- Оценку стоимости проекта по компонентам.
- Изготовление тестовой платы монтаж и пусконаладочные работы.



Тел: +7 (812) 336 43 04 (многоканальный)
Email: org@lifeelectronics.ru