

# NB3U1548C

## 3.3V/2.5V/1.8V/1.5V 160 MHz 1:4 LVC MOS/LVTTL Low Skew Over Voltage Tolerant Fanout Buffer

### Description

The NB3U1548C is an LVC MOS, overvoltage tolerant clock fanout buffer targeted for clock generation in high performance telecommunication, networking and computing applications. The device is optimized for low skew clock distribution in low voltage applications. The input overvoltage tolerance enables using this device in mixed mode voltage applications. An output enable pin controls whether the outputs are in the active or high impedance state. Guaranteed output skew characteristics make the NB3U1548C ideal for those applications demanding well defined performance and repeatability. The NB3U1548C is packaged in a small SOIC-8 and in a TSSOP-8 package.

### Features

- Low skew 1:4 Fanout Buffer
- Supports 3.3 V, 2.5 V, 1.8 V and 1.5 V Power Supplies
- LVC MOS Input and Output Levels
- 3.6 V Overvoltage Tolerance at the Clock and Control Inputs
- Supports Clock Frequencies up to 160 MHz
- LVC MOS Compatible Control Input for Output Disable
- Output Disabled to a High Impedance State
- -40°C to 85°C Ambient Operating Temperature
- Available in Pb-Free RoHS Compliant Packages (SOIC-8, TSSOP-8)
- These Devices are Pb-Free and are RoHS Compliant

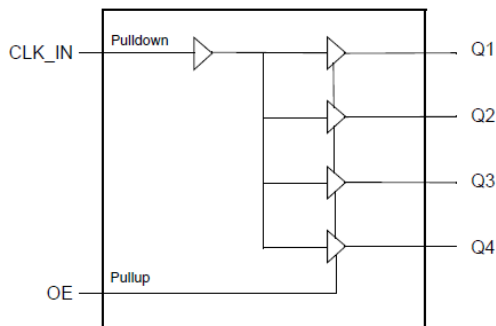


Figure 1. Block Diagram



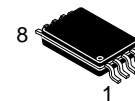
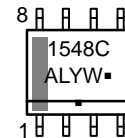
ON Semiconductor®

[www.onsemi.com](http://www.onsemi.com)

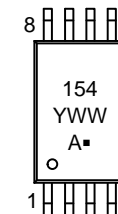
### MARKING DIAGRAMS



SOIC-8  
D SUFFIX  
CASE 751



TSSOP-8  
DT SUFFIX  
CASE 948S



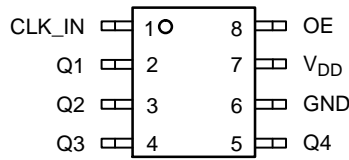
A = Assembly Location  
L = Wafer Lot  
Y = Year  
W, WW = Work Week  
▪ = Pb-Free Package

(Note: Microdot may be in either location)

### ORDERING INFORMATION

See detailed ordering and shipping information on page 9 of this data sheet.

# NB3U1548C



**Figure 2. Pin Configuration (Top View)**

**Table 1. PIN DESCRIPTIONS**

Number	Name	Type		Description
1	CLK_IN	Input	Pulldown	Single-ended clock input. LVCMOS interface levels.
2	Q1	Output		Single-ended clock output. LVCMOS interface levels.
3	Q2	Output		Single-ended clock output. LVCMOS interface levels.
4	Q3	Output		Single-ended clock output. LVCMOS interface levels.
5	Q4	Output		Single-ended clock output. LVCMOS interface levels.
6	GND	Power		Power supply ground.
7	VDD	Power		Power supply pin.
8	OE	Input	Pullup	Output enable pin. See Table 3. LVCMOS interface levels.

NOTE: Pullup and Pulldown refer to internal input resistors. See Table 2, Pin Characteristics, for typical values.

**Table 2. PIN CHARACTERISTICS**

Symbol	Parameter	Test Conditions	Min	Typ	Max	Units
CIN	Input Capacitance			4		pF
CPD	Power Dissipation Capacitance	$V_{DD} = 3.465\text{ V}$		14		pF
		$V_{DD} = 2.375\text{ V}$		13		pF
		$V_{DD} = 1.95\text{ V}$		13		pF
		$V_{DD} = 1.6\text{ V}$		12		pF
RPULLUP	Input Pullup Resistor			51		k $\Omega$
RPULLDOWN	Input Pulldown Resistor			51		k $\Omega$
ROUT	Output Impedance	$V_{DD} = 3.3\text{ V} \pm 5\%$		9		$\Omega$
		$V_{DD} = 2.5\text{ V} \pm 5\%$		10		$\Omega$
		$V_{DD} = 1.8\text{ V} \pm 0.15\text{ V}$		12		$\Omega$
		$V_{DD} = 1.5 \pm 0.1\text{ V}$		15		$\Omega$

## Function Table

**Table 3. OE CONFIGURATION TABLE**

Input	Operation
OE	
0	Q[4:1] disabled (high-impedance)
1 (default)	Q[4:1] enabled

NOTE: OE is an asynchronous control.

# NB3U1548C

**Table 4. ABSOLUTE MAXIMUM RATINGS**

Item	Rating
Supply Voltage, $V_{DD}$	4.6 V
Inputs, $V_I$	3.6 V
Outputs, $V_O$	-0.5 V to $V_{DD} + 0.5$ V
Package Thermal Impedance, $\theta_{JA}$ 8 Lead SOIC 8 Lead TSSOP	102.5°C/W (0 mps) 151.2°C/W (0 mps)
Storage Temperature, $T_{STG}$	-65°C to 150°C

Stresses exceeding those listed in the Maximum Ratings table may damage the device. If any of these limits are exceeded, device functionality should not be assumed, damage may occur and reliability may be affected.

1. JEDEC standard multilayer board – 2S2P (2 signal, 2 power) with 6 cm<sup>2</sup> copper area.
2. For additional information, see Application Note AND8003/D.

**Table 5. DC ELECTRICAL CHARACTERISTICS**

Symbol	Parameter	Test Conditions	Min	Typ	Max	Units
--------	-----------	-----------------	-----	-----	-----	-------

**POWER SUPPLY DC CHARACTERISTICS,  $V_{DD} = 3.3$  V  $\pm$  5%,  $T_A = -40^\circ$ C to  $85^\circ$ C**

$V_{DD}$	Power Supply Voltage		3.135	3.3	3.465	V
$I_{DDQ}$	Quiescent Power Supply Current	Inputs Open, Outputs Unloaded			1	mA

**POWER SUPPLY DC CHARACTERISTICS,  $V_{DD} = 2.5$  V  $\pm$  5%,  $T_A = -40^\circ$ C to  $85^\circ$ C**

$V_{DD}$	Power Supply Voltage		2.375	2.5	2.625	V
$I_{DDQ}$	Quiescent Power Supply Current	Inputs Open, Outputs Unloaded			1	mA

**POWER SUPPLY DC CHARACTERISTICS,  $V_{DD} = 1.8$  V  $\pm$  0.15 V,  $T_A = -40^\circ$ C to  $85^\circ$ C**

$V_{DD}$	Power Supply Voltage		1.65	1.8	1.95	V
$I_{DDQ}$	Quiescent Power Supply Current	Inputs Open, Outputs Unloaded			1	mA

**POWER SUPPLY DC CHARACTERISTICS,  $V_{DD} = 1.5$  V  $\pm$  0.1 V,  $T_A = -40^\circ$ C to  $85^\circ$ C**

$V_{DD}$	Power Supply Voltage		1.4	1.5	1.6	V
$I_{DDQ}$	Quiescent Power Supply Current	Inputs Open, Outputs Unloaded			1	mA

**LVC MOS DC CHARACTERISTICS,  $V_{DD} = 3.3$  V  $\pm$  5%,  $T_A = -40^\circ$ C to  $85^\circ$ C**

$V_{IH}$	Input High Voltage		$0.65 * V_{DD}$		3.6	V
$V_{IL}$	Input Low Voltage		-0.3		$0.35 * V_{DD}$	V
$I_{IH}$	Input High Current	CLK_IN	$V_{DD} = V_{IN} = 3.465$ V		165	$\mu$ A
		OE	$V_{DD} = V_{IN} = 3.465$ V		5	$\mu$ A
$I_{IL}$	Input Low Current	CLK_IN	$V_{DD} = 3.465$ V, $V_{IN} = 0$ V	-5		$\mu$ A
		OE	$V_{DD} = 3.465$ V, $V_{IN} = 0$ V	-150		$\mu$ A
$V_{OH}$	Output High Voltage	Q[4:1]	$I_{OH} = -12$ mA	2.6		V
$V_{OL}$	Output Low Voltage	Q[4:1]	$I_{OL} = 12$ mA		0.5	V

**LVC MOS DC CHARACTERISTICS,  $V_{DD} = 2.5$  V  $\pm$  5%,  $T_A = -40^\circ$ C to  $85^\circ$ C**

$V_{IH}$	Input High Voltage		$0.65 * V_{DD}$		3.6	V
$V_{IL}$	Input Low Voltage		-0.3		$0.35 * V_{DD}$	V
$I_{IH}$	Input High Current	CLK_IN	$V_{DD} = V_{IN} = 2.625$ V		165	$\mu$ A
		OE	$V_{DD} = V_{IN} = 2.625$ V		5	$\mu$ A
$I_{IL}$	Input Low Current	CLK_IN	$V_{DD} = 2.625$ V, $V_{IN} = 0$ V	-5		$\mu$ A
		OE	$V_{DD} = 2.625$ V, $V_{IN} = 0$ V	-150		$\mu$ A

# NB3U1548C

**Table 5. DC ELECTRICAL CHARACTERISTICS**

Symbol	Parameter	Test Conditions	Min	Typ	Max	Units
<b>LVC MOS DC CHARACTERISTICS, <math>V_{DD} = 2.5\text{ V} \pm 5\%</math>, <math>T_A = -40^\circ\text{C}</math> to <math>85^\circ\text{C}</math></b>						
$V_{OH}$	Output High Voltage	Q[4:1]	$I_{OH} = -12\text{ mA}$	1.8		V
$V_{OL}$	Output Low Voltage	Q[4:1]	$I_{OL} = 12\text{ mA}$		0.5	V
<b>LVC MOS DC CHARACTERISTICS, <math>V_{DD} = 1.8\text{ V} \pm 0.15\text{ V}</math>, <math>T_A = -40^\circ\text{C}</math> to <math>85^\circ\text{C}</math></b>						
$V_{IH}$	Input High Voltage			$0.65 * V_{DD}$	3.6	V
$V_{IL}$	Input Low Voltage			-0.3	$0.35 * V_{DD}$	V
$I_{IH}$	Input High Current	CLK_IN	$V_{DD} = V_{IN} = 1.95\text{ V}$		165	$\mu\text{A}$
		OE			5	$\mu\text{A}$
$I_{IL}$	Input Low Current	CLK_IN	$V_{DD} = 1.95\text{ V}, V_{IN} = 0\text{ V}$	-5		$\mu\text{A}$
		OE	$V_{DD} = 1.95\text{ V}, V_{IN} = 0\text{ V}$	-150		$\mu\text{A}$
$V_{OH}$	Output High Voltage	Q[4:1]	$I_{OH} = -6\text{ mA}$	$V_{DD} - 0.45$		V
$V_{OL}$	Output Low Voltage	Q[4:1]	$I_{OL} = 6\text{ mA}$		0.45	V
<b>LVC MOS DC CHARACTERISTICS, <math>V_{DD} = 1.5\text{ V} \pm 0.1\text{ V}</math>, <math>T_A = -40^\circ\text{C}</math> to <math>85^\circ\text{C}</math></b>						
$V_{IH}$	Input High Voltage			$0.65 * V_{DD}$	3.6	V
$V_{IL}$	Input Low Voltage			-0.3	$0.35 * V_{DD}$	V
$I_{IH}$	Input High Current	CLK_IN	$V_{DD} = V_{IN} = 1.6\text{ V}$		165	$\mu\text{A}$
		OE	$V_{DD} = V_{IN} = 1.6\text{ V}$		5	$\mu\text{A}$
$I_{IL}$	Input Low Current	CLK_IN	$V_{DD} = 1.6\text{ V}, V_{IN} = 0\text{ V}$	-5		$\mu\text{A}$
		OE	$V_{DD} = 1.6\text{ V}, V_{IN} = 0\text{ V}$	-150		$\mu\text{A}$
$V_{OH}$	Output High Voltage	Q[4:1]	$I_{OH} = -4\text{ mA}$	$0.75 * V_{DD}$		V
$V_{OL}$	Output Low Voltage	Q[4:1]	$I_{OL} = 4\text{ mA}$		$0.25 * V_{DD}$	V

Product parametric performance is indicated in the Electrical Characteristics for the listed test conditions, unless otherwise noted. Product performance may not be indicated by the Electrical Characteristics if operated under different conditions.

# NB3U1548C

**Table 6. AC ELECTRICAL CHARACTERISTICS**

Symbol	Parameter	Test Conditions	Min	Typ	Max	Units
--------	-----------	-----------------	-----	-----	-----	-------

**AC CHARACTERISTICS,  $V_{DD} = 3.3\text{ V} \pm 5\%$ ,  $T_A = -40^\circ\text{C}$  to  $85^\circ\text{C}$**

$f_{OUT}$	Output Frequency				160	MHz
$t_{PLH}$	Propagation Delay (low to high transition); (Notes 4, 8)		0.7		2.1	ns
$t_{PHL}$	Propagation Delay (high to low transition); (Notes 4, 8)		0.7		2.1	ns
$t_{PLZ}, t_{PHZ}$	Disable Time, (active to high-impedance)				10	ns
$t_{PZL}, t_{PZH}$	Enable Time, (high-impedance to active)				10	ns
$tsk(o)$	Output Skew; (Notes 5, 6)				250	ps
$tsk(pp)$	Part-to-Part Skew; (Notes 5, 7)				800	ps
$t_{jit}$	Buffer Additive Phase Jitter, RMS	25 MHz, Integration Range: 12 kHz – 5 MHz		0.094		ps
$t_R / t_F$	Output Rise/Fall Time	10% to 90%	0.33		1.2	ns
odc	Output Duty Cycle		48		53	%

**AC CHARACTERISTICS,  $V_{DD} = 2.5\text{ V} \pm 5\%$ ,  $T_A = -40^\circ\text{C}$  to  $85^\circ\text{C}$**

$f_{OUT}$	Output Frequency				160	MHz
$t_{PLH}$	Propagation Delay (low to high transition); (Notes 4, 8)		0.8		2.0	ns
$t_{PHL}$	Propagation Delay (high to low transition); (Notes 4, 8)		0.8		2.0	ns
$t_{PLZ}, t_{PHZ}$	Disable Time (active to high-impedance)				10	ns
$t_{PZL}, t_{PZH}$	Enable Time (high-impedance to active)				10	ns
$tsk(o)$	Output Skew; (Notes 5, 6)				250	ps
$tsk(pp)$	Part-to-Part Skew; (Notes 5, 7)				800	ps
$t_{jit}$	Buffer Additive Phase Jitter, RMS	25 MHz, Integration Range: 12 kHz – 5 MHz		0.076		ps
$t_R / t_F$	Output Rise/Fall Time	10% to 90%	0.33		1.2	ns
odc	Output Duty Cycle		45		53	%

**AC CHARACTERISTICS,  $V_{DD} = 1.8\text{ V} \pm 0.15\text{ V}$ ,  $T_A = -40^\circ\text{C}$  to  $85^\circ\text{C}$**

$f_{OUT}$	Output Frequency				160	MHz
$t_{PLH}$	Propagation Delay (low to high transition); (Notes 4, 8)		1.1		2.8	ns
$t_{PHL}$	Propagation Delay (high to low transition); (Notes 4, 8)		1.1		2.8	ns
$t_{PLZ}, t_{PHZ}$	Disable Time (active to high-impedance)				10	ns
$t_{PZL}, t_{PZH}$	Enable Time (high-impedance to active)				10	ns
$tsk(o)$	Output Skew; (Notes 5, 6)				250	ps
$tsk(pp)$	Part-to-Part Skew; (Notes 5, 7)				800	ps
$t_{jit}$	Buffer Additive Phase Jitter, RMS	25 MHz, Integration Range: 12 kHz – 5MHz		0.193		ps

NOTE: Device will meet the specifications after thermal equilibrium has been established when mounted in a test socket or printed circuit board with maintained transverse airflow greater than 500 lfpm.

3. Characterized up to  $F_{OUT} \leq 150\text{ MHz}$ .
4. Measured from the  $V_{DD}/2$  of the input to  $V_{DD}/2$  of the output.
5. This parameter is defined in accordance with JEDEC Standard 65.
6. Defined as skew between outputs at the same supply voltage and with equal load conditions. Measured at  $V_{DD}/2$ .
7. Defined as skew between outputs on different devices operating at the same supply voltage, same temperature, same frequency and with equal load conditions. Using the same type of inputs on each device, the outputs are measured at  $V_{DD}/2$ .
8. With rail to rail input clock.

# NB3U1548C

**Table 6. AC ELECTRICAL CHARACTERISTICS**

Symbol	Parameter	Test Conditions	Min	Typ	Max	Units
<b>AC CHARACTERISTICS, <math>V_{DD} = 1.8\text{ V} \pm 0.15\text{ V}</math>, <math>T_A = -40^\circ\text{C}</math> to <math>85^\circ\text{C}</math></b>						
$t_R / t_F$	Output Rise/Fall Time	0.63 V to 1.17 V	0.11		0.6	ns
odc	Output Duty Cycle		47		53	%
<b>AC CHARACTERISTICS, <math>V_{DD} = 1.5\text{ V} \pm 0.1\text{ V}</math>, <math>T_A = -40^\circ\text{C}</math> to <math>85^\circ\text{C}</math></b>						
$f_{OUT}$	Output Frequency				160	MHz
$t_{PLH}$	Propagation Delay (low to high transition); (Notes 4, 8)		1.5		3.5	ns
$t_{PHL}$	Propagation Delay (high to low transition); (Notes 4, 8)		1.5		3.5	ns
$t_{PLZ}$ , $t_{PHZ}$	Disable Time (active to high-impedance)				10	ns
$t_{PZL}$ , $t_{PZH}$	Enable Time (high-impedance to active)				10	ns
tsk(o)	Output Skew; (Notes 5, 6)				250	ps
tsk(pp)	Part-to-Part Skew; (Notes 5, 7)				800	ps
tjit	Buffer Additive Phase Jitter, RMS	25 MHz, Integration Range: 12 kHz – 5 MHz		0.266		ps
$t_R / t_F$	Output Rise/Fall Time	0.525 V to 0.975 V	0.11		0.6	ns
odc	Output Duty Cycle		47		53	%

NOTE: Device will meet the specifications after thermal equilibrium has been established when mounted in a test socket or printed circuit board with maintained transverse airflow greater than 500 lfpm.

3. Characterized up to  $F_{OUT} \leq 150\text{ MHz}$ .
4. Measured from the  $V_{DD}/2$  of the input to  $V_{DD}/2$  of the output.
5. This parameter is defined in accordance with JEDEC Standard 65.
6. Defined as skew between outputs at the same supply voltage and with equal load conditions. Measured at  $V_{DD}/2$ .
7. Defined as skew between outputs on different devices operating at the same supply voltage, same temperature, same frequency and with equal load conditions. Using the same type of inputs on each device, the outputs are measured at  $V_{DD}/2$ .
8. With rail to rail input clock.

# NB3U1548C

## Parameter Measurement Information

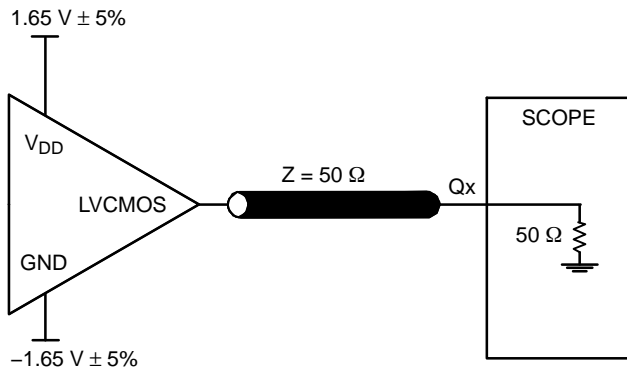


Figure 3. 3.3 V Output Load AC Test Circuit

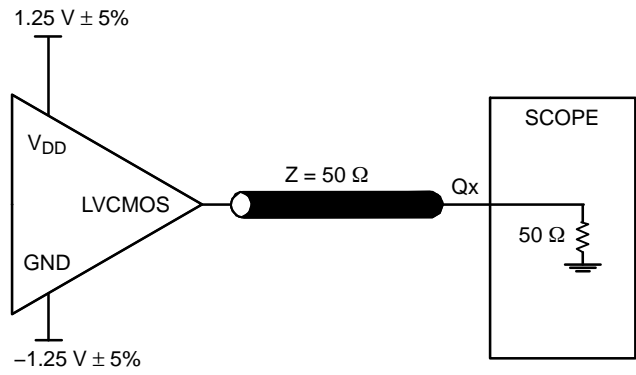


Figure 4. 2.5 V Output Load AC Test Circuit

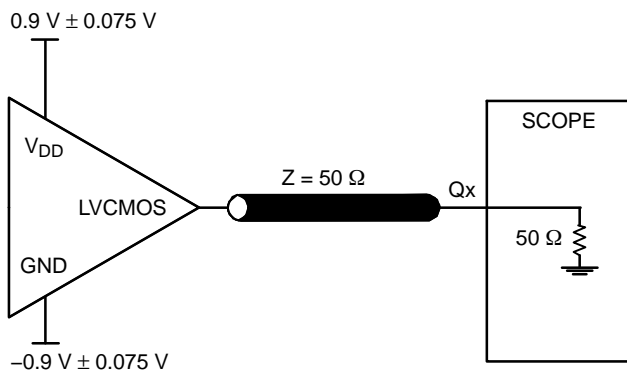


Figure 5. 1.8 V Output Load AC Test Circuit

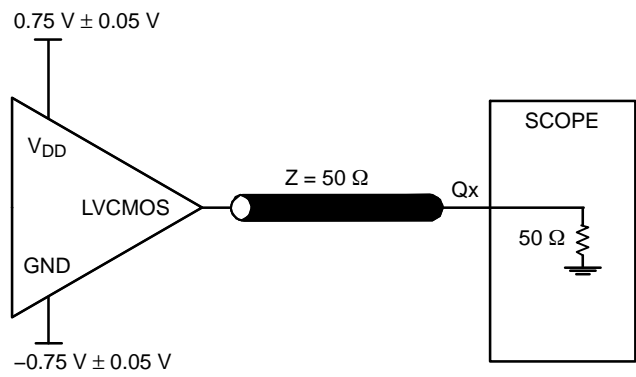


Figure 6. 1.5 V Output Load AC Test Circuit

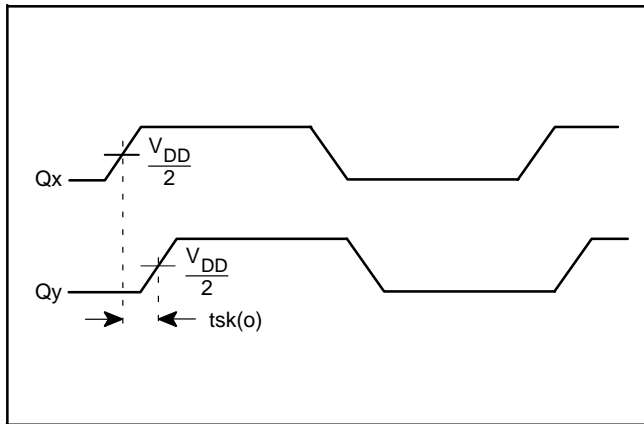


Figure 7. Output Skew

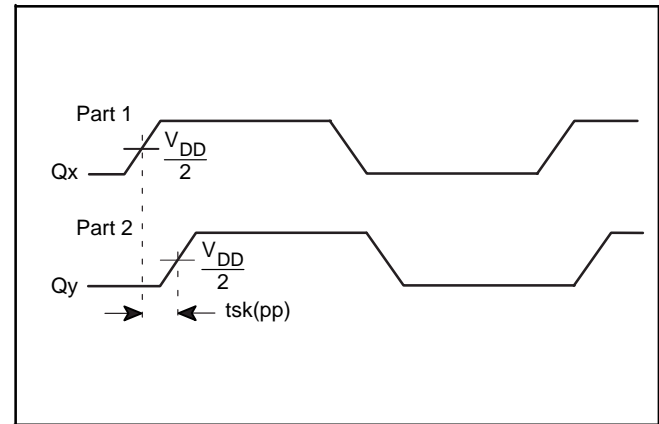


Figure 8. Part-to-Part Skew

Parameter Measurement Information, (continued)

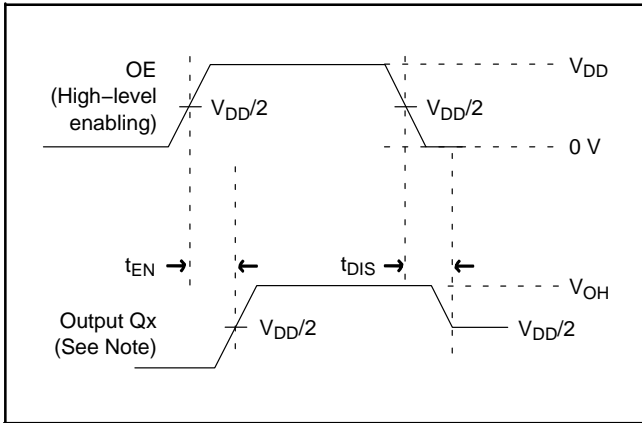


Figure 9. Output Enable/Disable Time

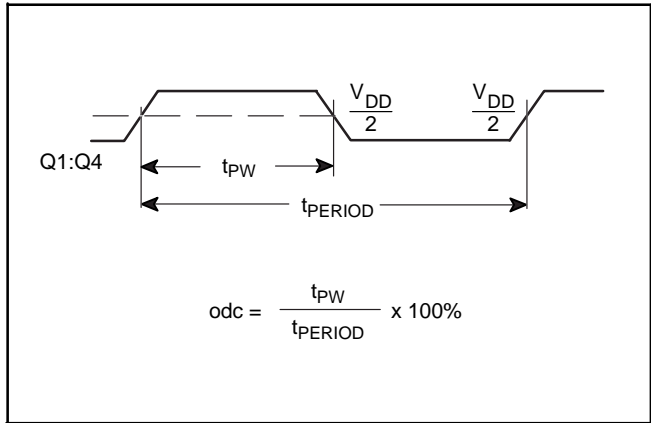


Figure 10. Output Duty Cycle/Pulse Width/Period

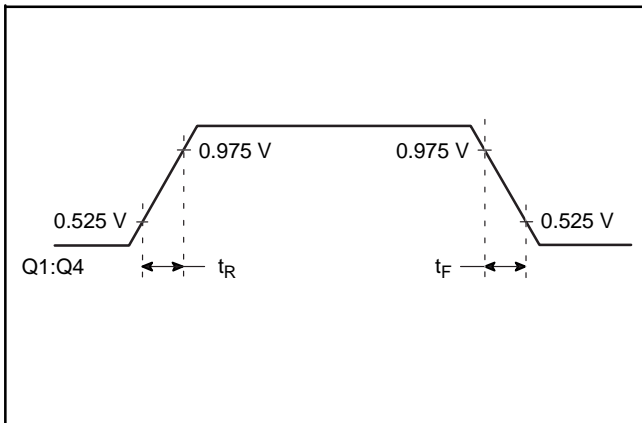


Figure 11. 1.5 V Output Rise/Fall Time

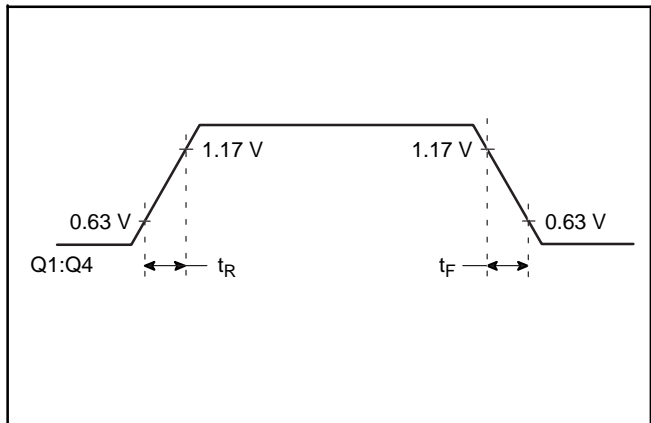


Figure 12. 1.8 V Output Rise/Fall Time

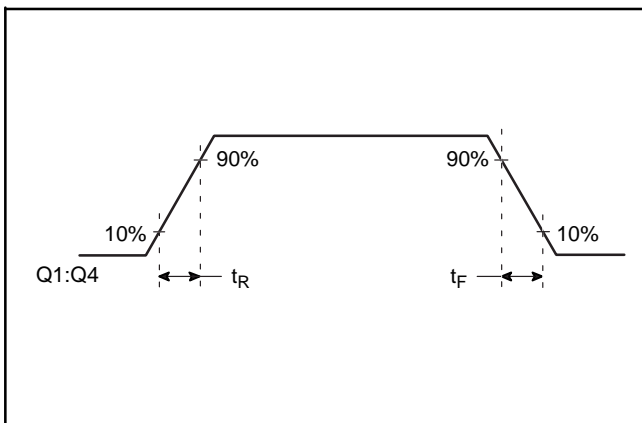


Figure 13. 2.5 V and 3.3 V Output Rise/Fall Time

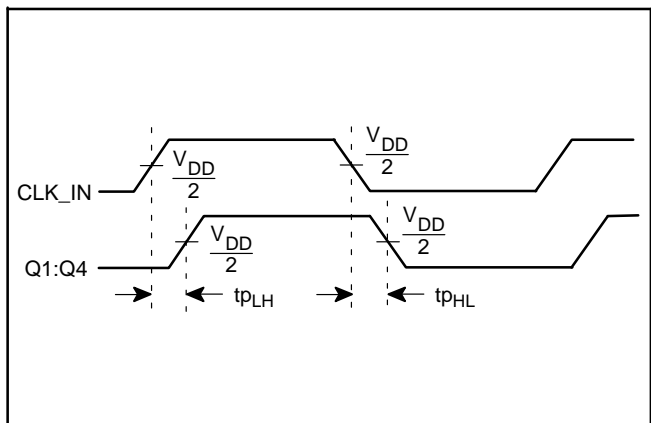


Figure 14. Propagation Delay



# NB3U1548C

**Table 7. THERMAL RESISTANCE  $\theta_{JA}$**

$\theta_{JA}$ by Velocity			
<b>FOR 8 LEAD SOIC, FORCED CONVECTION</b>			
Meters per Second	<b>0</b>	<b>1</b>	<b>2.5</b>
Multi-Layer PCB, JEDEC Standard Test Boards	102.5°C/W	93.5°C/W	88.6°C/W
<b>FOR 8 LEAD TSSOP, FORCED CONVECTION</b>			
Meters per Second	<b>0</b>	<b>1</b>	<b>2.5</b>
Multi-Layer PCB, JEDEC Standard Test Boards	151.2°C/W	145.9°C/W	143.3°C/W
$\theta_{JA}$ by Velocity			

**Table 8. ORDERING INFORMATION**

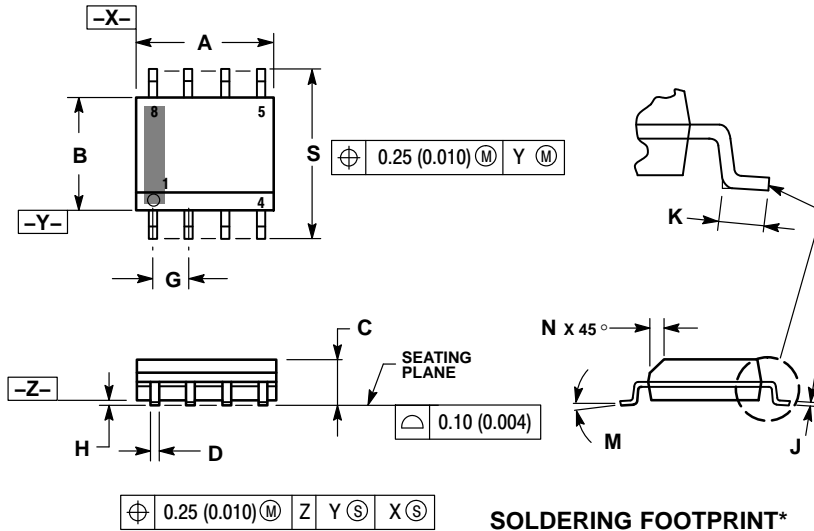
Device	Package	Shipping <sup>†</sup>
NB3U1548CDG	SOIC-8 (Pb-Free)	96 Units / Tube
NB3U1548CDR2G	SOIC-8 (Pb-Free)	2500 / Tape & Reel
NB3U1548CDTR2G	TSSOP-8 (Pb-Free)	2500 / Tape & Reel

<sup>†</sup>For information on tape and reel specifications, including part orientation and tape sizes, please refer to our Tape and Reel Packaging Specification Brochure, BRD8011/D.

# NB3U1548C

## PACKAGE DIMENSIONS

SOIC-8 NB  
CASE 751-07  
ISSUE AK

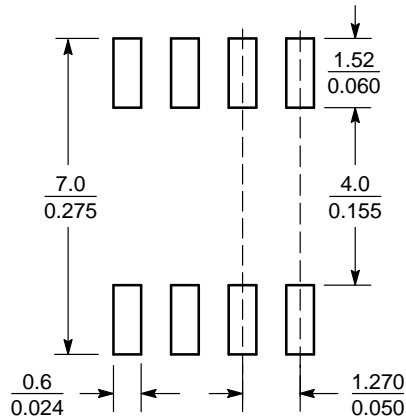


NOTES:

1. DIMENSIONING AND TOLERANCING PER ANSI Y14.5M, 1982.
2. CONTROLLING DIMENSION: MILLIMETER.
3. DIMENSION A AND B DO NOT INCLUDE MOLD PROTRUSION.
4. MAXIMUM MOLD PROTRUSION 0.15 (0.006) PER SIDE.
5. DIMENSION D DOES NOT INCLUDE DAMBAR PROTRUSION. ALLOWABLE DAMBAR PROTRUSION SHALL BE 0.127 (0.005) TOTAL IN EXCESS OF THE D DIMENSION AT MAXIMUM MATERIAL CONDITION.
6. 751-01 THRU 751-06 ARE OBSOLETE. NEW STANDARD IS 751-07.

DIM	MILLIMETERS		INCHES	
	MIN	MAX	MIN	MAX
A	4.80	5.00	0.189	0.197
B	3.80	4.00	0.150	0.157
C	1.35	1.75	0.053	0.069
D	0.33	0.51	0.013	0.020
G	1.27 BSC		0.050 BSC	
H	0.10	0.25	0.004	0.010
J	0.19	0.25	0.007	0.010
K	0.40	1.27	0.016	0.050
M	0°	8°	0°	8°
N	0.25	0.50	0.010	0.020
S	5.80	6.20	0.228	0.244

### SOLDERING FOOTPRINT\*



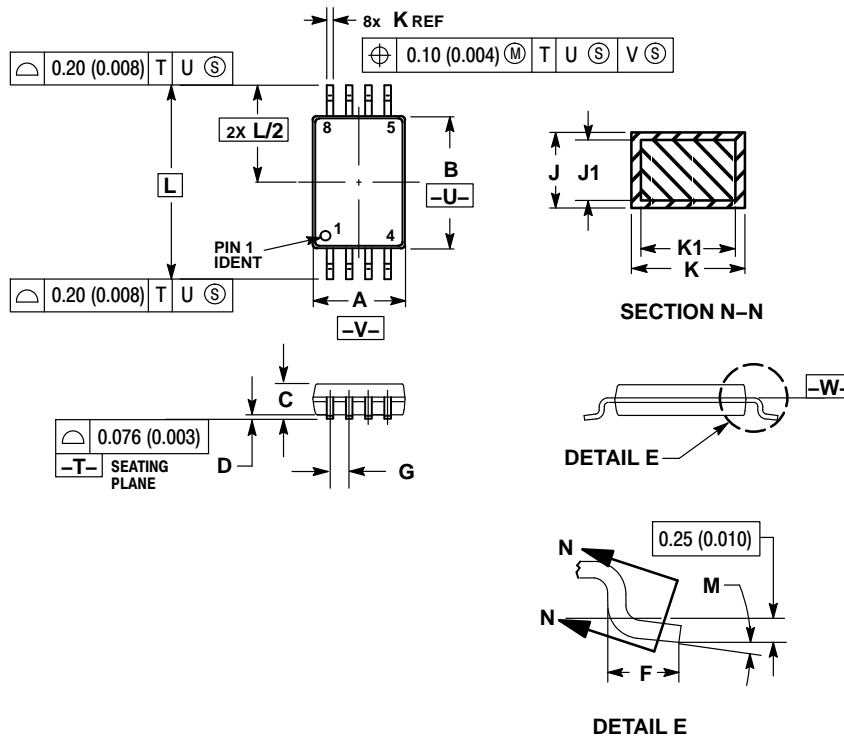
SCALE 6:1  $\left(\frac{\text{mm}}{\text{inches}}\right)$

\*For additional information on our Pb-Free strategy and soldering details, please download the ON Semiconductor Soldering and Mounting Techniques Reference Manual, SOLDERRM/D.

# NB3U1548C

## PACKAGE DIMENSIONS

### TSSOP-8 CASE 948S ISSUE C



#### NOTES:

1. DIMENSIONING AND TOLERANCING PER ANSI Y14.5M, 1982.
2. CONTROLLING DIMENSION: MILLIMETER.
3. DIMENSION A DOES NOT INCLUDE MOLD FLASH, PROTRUSIONS OR GATE BURRS. MOLD FLASH OR GATE BURRS SHALL NOT EXCEED 0.15 (0.006) PER SIDE.
4. DIMENSION B DOES NOT INCLUDE INTERLEAD FLASH OR PROTRUSION. INTERLEAD FLASH OR PROTRUSION SHALL NOT EXCEED 0.25 (0.010) PER SIDE.
5. TERMINAL NUMBERS ARE SHOWN FOR REFERENCE ONLY.
6. DIMENSION A AND B ARE TO BE DETERMINED AT DATUM PLANE -W-.

DIM	MILLIMETERS		INCHES	
	MIN	MAX	MIN	MAX
A	2.90	3.10	0.114	0.122
B	4.30	4.50	0.169	0.177
C	---	1.10	---	0.043
D	0.05	0.15	0.002	0.006
F	0.50	0.70	0.020	0.028
G	0.65 BSC		0.026 BSC	
J	0.09	0.20	0.004	0.008
J1	0.09	0.16	0.004	0.006
K	0.19	0.30	0.007	0.012
K1	0.19	0.25	0.007	0.010
L	6.40 BSC		0.252 BSC	
M	0°	8°	0°	8°

ON Semiconductor and the are registered trademarks of Semiconductor Components Industries, LLC (SCILLC) or its subsidiaries in the United States and/or other countries. SCILLC owns the rights to a number of patents, trademarks, copyrights, trade secrets, and other intellectual property. A listing of SCILLC's product/patent coverage may be accessed at [www.onsemi.com/site/pdf/Patent-Marking.pdf](http://www.onsemi.com/site/pdf/Patent-Marking.pdf). SCILLC reserves the right to make changes without further notice to any products herein. SCILLC makes no warranty, representation or guarantee regarding the suitability of its products for any particular purpose, nor does SCILLC assume any liability arising out of the application or use of any product or circuit, and specifically disclaims any and all liability, including without limitation special, consequential or incidental damages. "Typical" parameters which may be provided in SCILLC data sheets and/or specifications can and do vary in different applications and actual performance may vary over time. All operating parameters, including "Typicals" must be validated for each customer application by customer's technical experts. SCILLC does not convey any license under its patent rights nor the rights of others. SCILLC products are not designed, intended, or authorized for use as components in systems intended for surgical implant into the body, or other applications intended to support or sustain life, or for any other application in which the failure of the SCILLC product could create a situation where personal injury or death may occur. Should Buyer purchase or use SCILLC products for any such unintended or unauthorized application, Buyer shall indemnify and hold SCILLC and its officers, employees, subsidiaries, affiliates, and distributors harmless against all claims, costs, damages, and expenses, and reasonable attorney fees arising out of, directly or indirectly, any claim of personal injury or death associated with such unintended or unauthorized use, even if such claim alleges that SCILLC was negligent regarding the design or manufacture of the part. SCILLC is an Equal Opportunity/Affirmative Action Employer. This literature is subject to all applicable copyright laws and is not for resale in any manner.

#### PUBLICATION ORDERING INFORMATION

##### LITERATURE FULFILLMENT:

Literature Distribution Center for ON Semiconductor  
19521 E. 32nd Pkwy, Aurora, Colorado 80011 USA  
Phone: 303-675-2175 or 800-344-3860 Toll Free USA/Canada  
Fax: 303-675-2176 or 800-344-3867 Toll Free USA/Canada  
Email: [orderlit@onsemi.com](mailto:orderlit@onsemi.com)

N. American Technical Support: 800-282-9855 Toll Free  
USA/Canada  
Europe, Middle East and Africa Technical Support:  
Phone: 421 33 790 2910  
Japan Customer Focus Center  
Phone: 81-3-5817-1050

ON Semiconductor Website: [www.onsemi.com](http://www.onsemi.com)

Order Literature: <http://www.onsemi.com/orderlit>

For additional information, please contact your local Sales Representative

Компания «Life Electronics» занимается поставками электронных компонентов импортного и отечественного производства от производителей и со складов крупных дистрибьюторов Европы, Америки и Азии.

С конца 2013 года компания активно расширяет линейку поставок компонентов по направлению коаксиальный кабель, кварцевые генераторы и конденсаторы (керамические, пленочные, электролитические), за счёт заключения дистрибьюторских договоров

Мы предлагаем:

- Конкурентоспособные цены и скидки постоянным клиентам.
- Специальные условия для постоянных клиентов.
- Подбор аналогов.
- Поставку компонентов в любых объемах, удовлетворяющих вашим потребностям.
- Приемлемые сроки поставки, возможна ускоренная поставка.
- Доставку товара в любую точку России и стран СНГ.
- Комплексную поставку.
- Работу по проектам и поставку образцов.
- Формирование склада под заказчика.
- Сертификаты соответствия на поставляемую продукцию (по желанию клиента).
- Тестирование поставляемой продукции.
- Поставку компонентов, требующих военную и космическую приемку.
- Входной контроль качества.
- Наличие сертификата ISO.

В составе нашей компании организован Конструкторский отдел, призванный помогать разработчикам, и инженерам.

Конструкторский отдел помогает осуществить:

- Регистрацию проекта у производителя компонентов.
- Техническую поддержку проекта.
- Защиту от снятия компонента с производства.
- Оценку стоимости проекта по компонентам.
- Изготовление тестовой платы монтаж и пусконаладочные работы.



Тел: +7 (812) 336 43 04 (многоканальный)

Email: [org@lifeelectronics.ru](mailto:org@lifeelectronics.ru)